

AS/400e 170 or 250



# 6807, 6813, 6817, 6824, or 6831 Disk Unit Instruction

*Version 4*



AS/400e 170 or 250



# 6807, 6813, 6817, 6824, or 6831 Disk Unit Instruction

*Version 4*

**Note**

Before using this information and the product it supports, be sure to read the "Safety and Environmental Notices" on page iii and the "Notices" on page 19.

**Fifth Edition (July 2000)**

This edition applies only to reduced instructions set computer (RISC) systems.

© Copyright International Business Machines Corporation 1998, 2000. All rights reserved.

US Government Users Restricted Rights – Use, duplication or disclosure restricted by GSA ADP Schedule Contract with IBM Corp.

---

## Safety and Environmental Notices

---

### Danger Notices

A danger notice calls attention to a situation that is potentially lethal or extremely hazardous to people.

#### DANGER

An electrical outlet that is not correctly wired could place hazardous voltage on metal parts of the system or the products that attach to the system. It is the customer's responsibility to ensure that the outlet is correctly wired and grounded to prevent an electrical shock. (RSFTD201)

#### DANGER

To prevent a possible electrical shock when installing the system, ensure that the power cords for all devices are unplugged before installing signal cables. (RSFTD202)

#### DANGER

To prevent a possible electrical shock when adding or removing any devices to or from the system, ensure that the power cords for those devices are unplugged before the signal cables are connected or disconnected. If possible, disconnect all power cords from the existing system before you add or remove a device. (RSFTD203)

#### DANGER

To prevent a possible electrical shock during an electrical storm, do not connect or disconnect cables or station protectors for communications lines, display stations, printers, or telephones. (RSFTD003)

#### DANGER

To prevent a possible electrical shock from touching two surfaces with different electrical grounds, use one hand, when possible, to connect or disconnect signal cables. (RSFTD004)

### Caution Notices

A caution notice calls attention to a situation that is potentially hazardous to people because of some existing condition.

#### CAUTION:

**Telecommunications Statement:** This unit contains over-voltage circuits between the ac power outlet and the unit. These circuits meet the standard limits described in International Electrical Commission (IEC) 664, installation category II. It is the customer's responsibility to ensure that the power outlet meets the standards of IEC 664, installation category II. (RSFTC214)

## **Laser Safety Information**

### **CAUTION:**

This product may contain a CD-ROM which is a class 1 laser product. (RSFTC240)

## **Product Recycling and Disposal**

Components of the system, such as structural parts and circuit cards, can be recycled where recycling facilities exist. IBM does not currently collect and recycle used IBM products from customers in the United States other than those products that are involved in trade-in programs. Companies are available to disassemble, reutilize, recycle, or dispose of electronic products. Contact an IBM account representative for more information.

The system unit contains batteries and circuit boards with lead solder. Before you dispose of this unit, these batteries and circuit boards must be removed and discarded according to local regulations or recycled where facilities exist. This book contains specific information on each battery type where applicable.

## **Battery Return Program**

In the United States, IBM has established a collection process for reuse, recycling, or proper disposal of used IBM batteries and battery packs. For information on proper disposal of the batteries in this unit, please contact IBM at 1-800-426-4333. Please have the IBM part number that is listed on the battery available when you make your call. For information on battery disposal outside the United States, contact your local waste disposal facility.

## **Environmental Design**

The environmental efforts that have gone into the design of the system signify IBM's commitment to improve the quality of its products and processes. Some of these accomplishments include the elimination of the use of Class I ozone-depleting chemicals in the manufacturing process, reductions in manufacturing wastes, and increased product energy efficiency. For more information, contact an IBM account representative.

---

## Installation Instructions

This feature is designed to be customer installed. It will take approximately 1 hour to install the hardware. However, if you elect not to perform this feature installation yourself contact IBM or an Authorized Dealer. You can make arrangements for them to perform the feature installation for a fee.

You need to allow additional time to complete your jobs, back up your system, IPL your system, and verify your hardware configuration.

When you use these instructions, you will do the following:

- Remove the system unit covers.
- Install your new hardware.
- Install covers.
- IPL your operating system.
- Verify your new hardware configuration.

Some of the steps in these instructions may require a tool to remove the screws. You should use a medium-sized standard screwdriver or a 5.5 mm socket wrench.

Some of the pictures in these instructions may not look exactly like the system unit that you have. However, the steps to perform the task are the same.

Before you begin:

- Ensure that you have a current backup of your operating system and licensed programs. If you have backed up the operating system and licensed programs since the last time you applied PTFs, that backup is acceptable.
- Ensure that you take a few minutes to become familiar with these instructions.
- If there are incorrect, missing, or visibly damaged parts, contact one of the following:
  - Your authorized dealer
  - Point of purchase (For example, IBM Direct)
  - IBM Rochester Manufacturing Automated Information Line (R-MAIL)
    - 1-800-300-8751 (United States)
    - 1-507-253-5242 (worldwide)
- Determine if there are any existing prerequisites before you install your new feature. Go to this Web site and locate your feature number and OS/400 release and check the prerequisites.

[http://as400service.ibm.com/s\\_dir/slkbases.NSF/](http://as400service.ibm.com/s_dir/slkbases.NSF/)

Then do the following to get to the Customer Install Features Prerequisites:

1. Select **All Documents**
2. Select **Collapse**
3. Select **General Information**
4. Select **Offerings**
5. Select **Feature Prerequisites**
6. Select **Customer Install Features Prerequisites**

---

## Installing the Disk Unit

- \_\_ 1. Is your system unit powered off?

**Note:** Should you encounter difficulties during the installation, contact your authorized dealer or service provider.

**No**    **Yes**

↓        Go to step 3 on page 9.

- \_\_ 2. Remove the system unit front cover by gripping the sides of the cover **A** and pulling the cover toward you (Figure 7 on page 10).

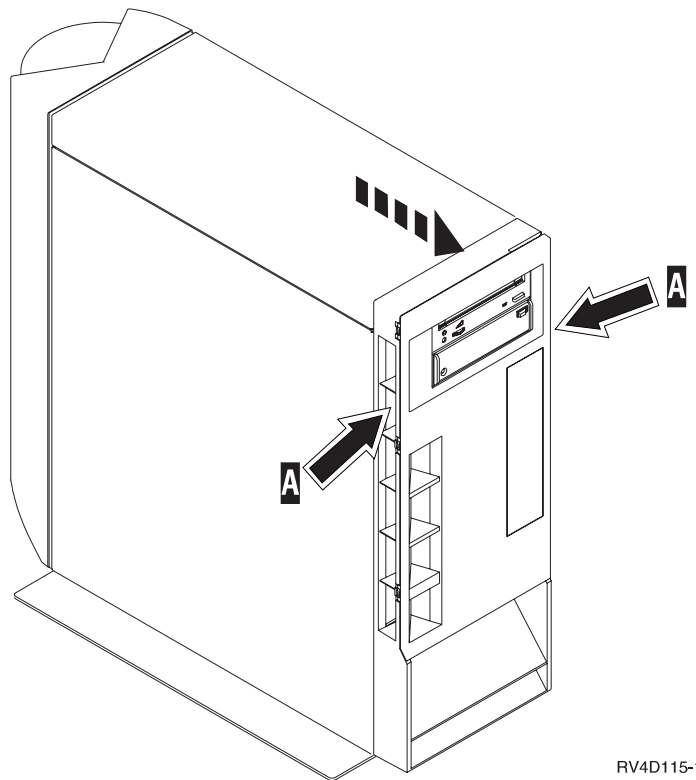


Figure 1. Remove System Unit Front Cover

- \_\_ 3. Attach the disposable wrist strap to prevent electrostatic discharge from damaging a device. Figure 2 on page 3 shows an example of where to attach the adhesive part of the foil to an unpainted surface.

**Notes:**

- a. Follow the same precautions you would use without the wrist strap. The 2209 Disposable Wrist Strap is for static control. It will not increase nor decrease your risk of receiving electric shock when using or working on electrical equipment.
- b. Discard the wrist strap immediately and contact your dealer for a replacement, if the disposable wrist strap appears damaged or cut off. Do not continue until a new wrist strap is available.
- c. Remove the liner from the copper foil at the end, when you unroll the wrist strap.
- d. Attach the copper foil to an **exposed, unpainted** metal surface on the frame of the system unit (electrical ground).



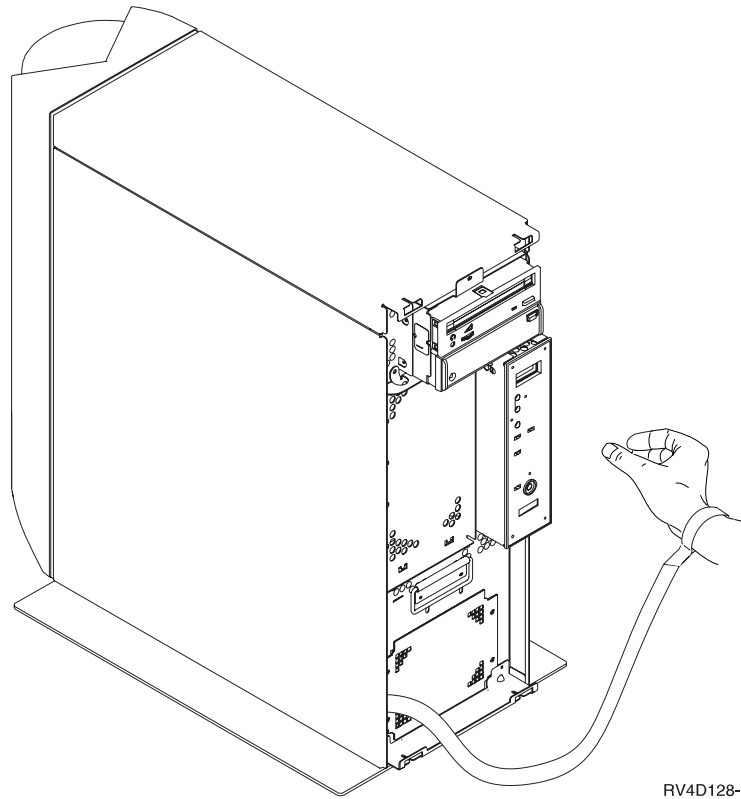


Figure 2. Attach Wrist Strap

- \_\_\_ 4. You can install a disk unit without powering down the system unit if your system has a 2740 or 2748 disk unit controller installed in it. Small green lights are lit on the front of your system unit if the 2740 or 2748 disk unit controller is installed.

Are there one or more green lights lit on the front of your system unit **C** (Figure 3 on page 4)?

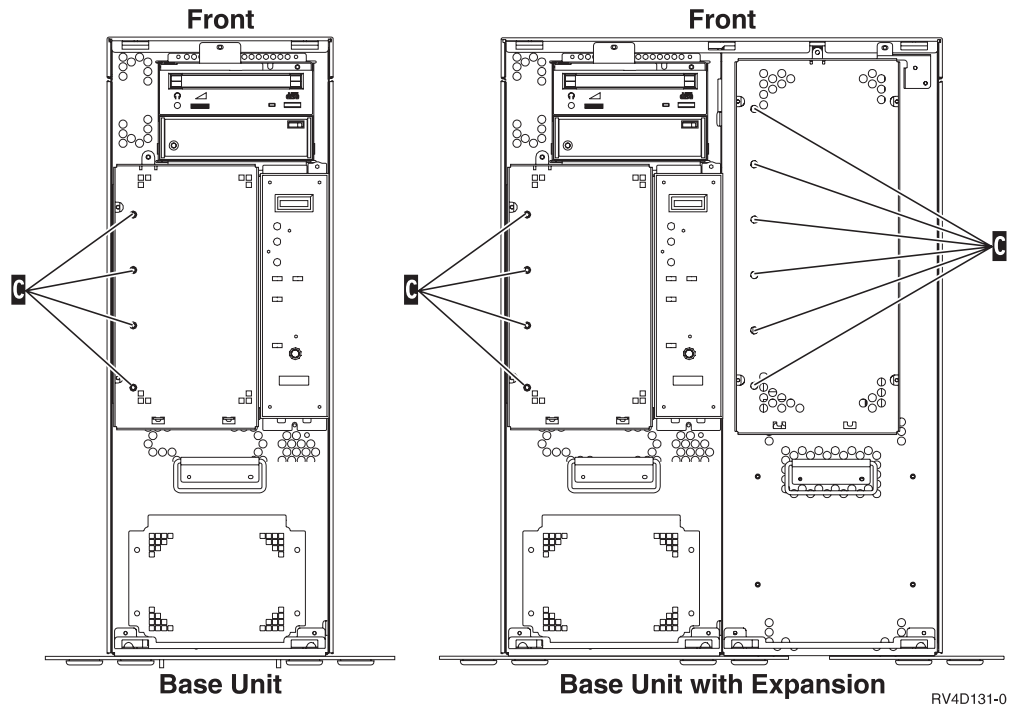


Figure 3. Location of Green Lights on Front of System Unit

Yes No

↓ Go to “Non-Concurrent Procedure (System Unit Powered Off)” on page 9.

- 5. Be sure you understand the complexity of the concurrent procedures (steps 1 through 52 on page 9) before you begin. If you do not feel comfortable using the concurrent procedure, go to “Non-Concurrent Procedure (System Unit Powered Off)” on page 9.

## Concurrent Procedure (System Unit Powered On)

**Attention:** Disk units are fragile. Handle with care.

**Be sure to use the wrist strap provided.** Place one end of the wrist strap around your wrist and connect the opposite end to your system unit.

Failure to follow these instructions could result in damage to the new disk unit or the system unit and could result in loss of data.

- 1. When you have a system unit with an expansion unit, **fill the slot positions in the base unit first.** The system unit you have will either be a base unit or a base unit with an expansion unit.  
To determine the next available position, remove either the base unit or expansion unit disk unit shield by removing the screw **A** (Figure 4 on page 5).

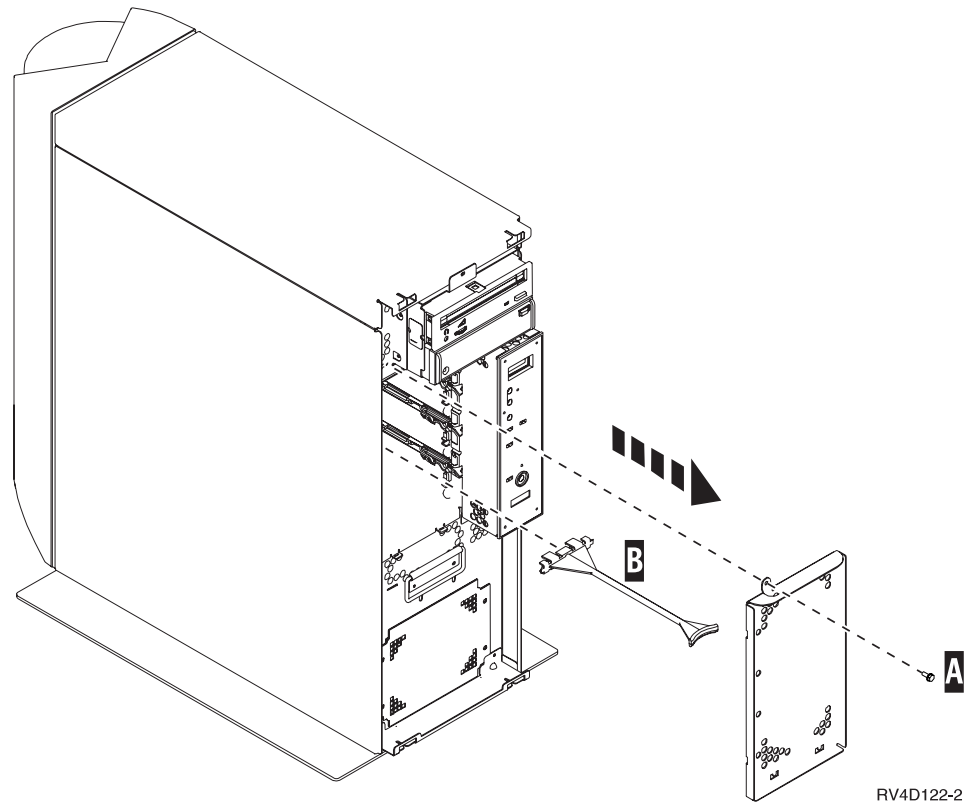


Figure 4. Remove Disk Unit Shield

- \_\_\_ 2. Remove the long plastic connector cover **B** from the next available position.
- \_\_\_ 3. On the AS/400 command line, type:  
STRSST

**Note:** You should be signed on as **QSECOFR**  
Press the Enter key.

- \_\_\_ 4. When the System Service Tool display appears, select the *Start a service tool* option.  
Press the Enter key.
- \_\_\_ 5. When the Start a Service Tool display appears, select the *Hardware service manager* option.  
Press the Enter key.
- \_\_\_ 6. When the Hardware Service Manager display appears, select the *Device Concurrent Maintenance* option.  
Press the Enter key.
- \_\_\_ 7. On the *Device Concurrent Maintenance* display, type the *Direct Select Address* of the position where you will be installing the new disk unit. See Figure 5 on page 6 for the direct select addresses.

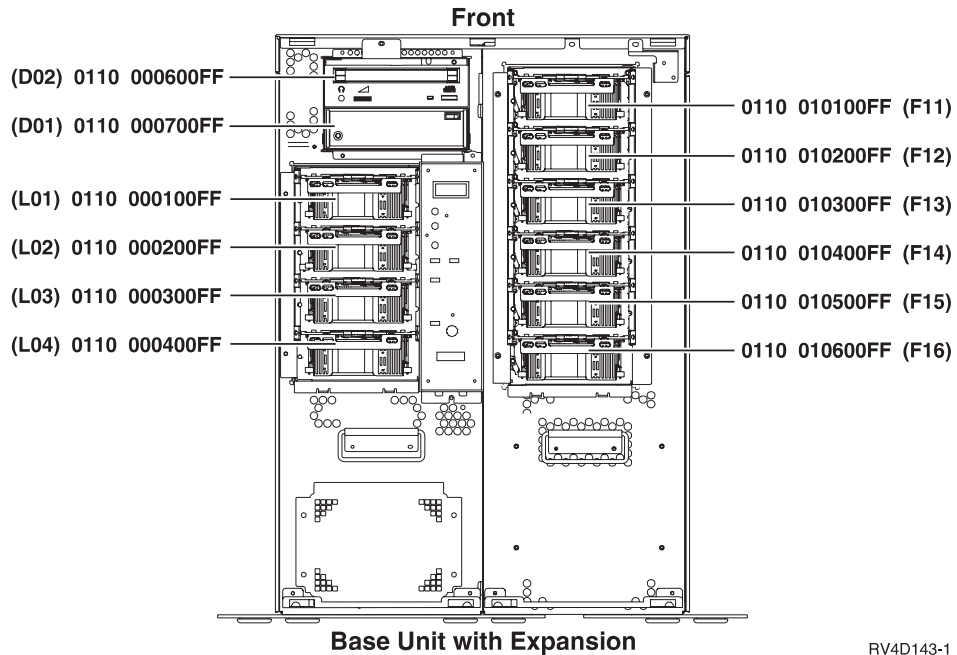


Figure 5. Disk Unit Direct Select Addresses

**Note:** The picture above shows an example of a system unit with disk units in all the positions.

- \_\_\_ 8. Find the package that contains the new disk unit assembly and remove it from the static-protective package. Write the serial number (SN xx-xxxxxxx) of the disk unit **B** here \_\_\_\_\_ before you install it.
- \_\_\_ 9. Hold the disk unit with the blue handle up.
- \_\_\_ 10. Pull the blue handle **A** out toward you before you install the disk unit into the system unit (Figure 6).

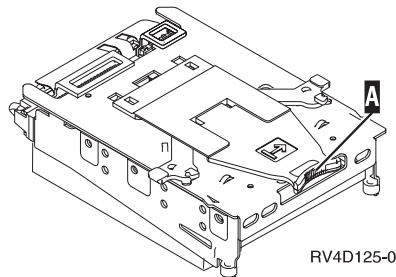


Figure 6. Disk Unit

- \_\_\_ 11. Support the bottom of the disk unit assembly as you slide it half way into the system unit. Do not push it any further.
- \_\_\_ 12. Return to the console. On the *Device Concurrent Maintenance* display, type the following:
  - **2** (*Install device*) for the action to be performed.
  - **01** for a one-minute delay.

**Note:** Watch the light on the left side of the disk unit you are installing. When the light comes on and begins to blink rapidly, you have nine seconds to slide the disk unit forward and push in the handle on the disk unit.

Press the Enter key.

- \_\_\_ 13. When the light starts blinking, slide the disk unit in until it stops. Push on the blue handle to complete the disk unit installation. Firmly push the disk unit and handle until it locks into place, especially the last 1/2 inch.
- \_\_\_ 14. The light will stop blinking and a solid, green light will appear.
- \_\_\_ 15. Return to the console and wait until the *Concurrent Maintenance Results* display appears.

Press the Enter key.

- \_\_\_ 16. Do you have another disk unit to install?

**No      Yes**

↓      Repeat steps 1 on page 4 through 15.

- \_\_\_ 17. When the *Hardware Service Manager* display appears, press F12.
- \_\_\_ 18. On the *System Service Tool* display, select *Work with Disk Units*. Press the Enter key.
- \_\_\_ 19. On the *Work with Disk Units* display, select *Display disk configuration*. Press the Enter key.
- \_\_\_ 20. On the *Display disk configuration* display, select *Display non-configured units*. Press the Enter key.
- \_\_\_ 21. The disk unit that you installed should be listed. The serial number should match the serial number you wrote in step 8 on page 6.

**Note:** If the disk unit is not listed, ensure that the disk unit is properly installed. Repeat steps 1 on page 4 through 15.

- \_\_\_ 22. Press F12, twice.
- \_\_\_ 23. On the *Work with disk units* display, select *Work with disk configuration*. Press the Enter key.
- \_\_\_ 24. Are you adding a disk unit to an existing device parity set? If you need more information about device parity, go to the *Backup and Recovery*, SC41-5304-04 .

**Yes      No**

↓      Go to step 41 on page 8.

- \_\_\_ 25. On the *Work with disk configuration* display, select *Include unit in device parity protection*.
- \_\_\_ 26. Did the *Include Device Parity Protection Failed* display appear?

**Yes      No**

↓      Go to step 29 on page 8.

- \_\_\_ 27. The following conditions must be met before you can start device parity protection. Including the disk unit in device parity protection may fail for one or more reasons.
  - If there are enough disk units available to create a new parity set, the units will be eligible for *Start Device Parity Protection* operation. They will not be eligible for the *Include Device Parity Protection* operation. For more information, go to the *Backup and Recovery*, SC41-5304-04 .

- **All disk units in a parity set must be the same capacity with a minimum number of 4 disk units and maximum of 10 units in the resulting parity set.**
  - Not all disk units attached to an advanced function input/output processor have reported to the system. Retry the operation.
  - The type/model of the disk units is not supported for the requested operation.
- \_\_\_ 28. When the above conditions have been met, select F12 to return to the *Work with disk configuration* display.
- \_\_\_ 29. On the *Include Disk Units in Device Parity Protection* display, select the disk units to be included in Device Parity Protection by typing a **1** in the *Option* column.  
Press the Enter key.
- \_\_\_ 30. Press Enter to confirm your choice.
- \_\_\_ 31. When the device parity protection is complete, the message “Selected units have been included successfully” appears on the *Work with disk configuration* display.
- \_\_\_ 32. On the *Work with disk configuration* display, select *Display disk configuration*.
- \_\_\_ 33. On the *Display disk configuration* display, select *Display disk configuration status*.
- \_\_\_ 34. Determine the auxiliary storage pool (ASP) to add the disk unit to.
- \_\_\_ 35. Press F12, twice.
- \_\_\_ 36. On the *Work with disk configuration* display, select *Add units to the ASPs and balance data*.  
Press the Enter key.
- \_\_\_ 37. On the *Specify to Add Units to display*, specify the ASP.  
Press the Enter key.
- \_\_\_ 38. Press Enter to confirm.
- \_\_\_ 39. When the message “Selected units have been added successfully”, return to the AS/400 Main menu.
- \_\_\_ 40. Go to step 48 on page 9.
- \_\_\_ 41. On the *Work with disk configuration* display, select *Display disk configuration*.  
Press the Enter key.
- \_\_\_ 42. On the *Display disk configuration* display, select *Display disk configuration status*.
- \_\_\_ 43. Determine the auxiliary storage pool (ASP) to add the disk unit to.
- \_\_\_ 44. Press F12, twice.
- \_\_\_ 45. On the *Work with disk configuration* display, select *Add units to ASPs*.  
Press the Enter key.
- \_\_\_ 46. Specify the number of the ASP you want to add the disk unit to. The system ASP is **ASP 1**.  
Press the Enter key.
- \_\_\_ 47. The *Confirm Add Units* display appears showing the configuration your system will have when the add completes.

**Note:** If you have selected the wrong ASP, press F12 to change your options.

Press the Enter key to continue. The add process will take several minutes to complete.

- \_\_\_ 48. Install the disk unit shield cover.
- \_\_\_ 49. Install the system unit front cover.
- \_\_\_ 50. If you have a printer, print the configuration list. A service representative may refer to the configuration list in the future.
  - a. On the AS/400 Main menu command line type:
 

**Note:** You need to be signed on with service authority.

STRSST

Press the Enter key.
  - b. On the STRSST display, select *Start a service tool* option.
 

Press the Enter key.
  - c. On the Start a Service Tool display, select *Hardware service manager* option.
 

Press the Enter key.
  - d. From the Hardware Service Manager display, press F6 (print the configuration).
  - e. To return to the AS/400 Main menu, press F3 (Exit) twice and then press the Enter key.
  - f. Place the configuration list in the *Basic System Operation, Administration, and Problem Handling*, SC41-5206-04 book.
- \_\_\_ 51. For information on how to make your disk unit operational, go to the *AS/400 Information Center*. You can access the Information Center from the *AS/400 Information Center*, SK3T-2027-03 or from the following Web site:
 

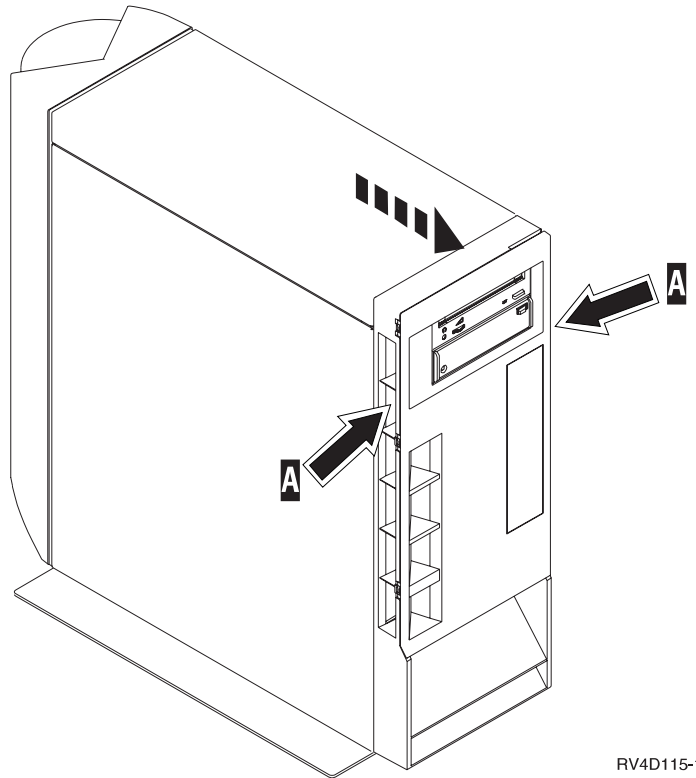
<http://www.as400.ibm.com/infocenter>
- \_\_\_ 52. The installation of the disk unit is complete. Keep all miscellaneous parts, such as wrap connectors, with the Service Materials box or in a safe place.

## Non-Concurrent Procedure (System Unit Powered Off)

- \_\_\_ 1. Ensure that all jobs are complete.
- \_\_\_ 2. When all jobs are complete, type
 

```
pwrdownsys *immed
```

on an AS/400 command line and press the Enter key.
- \_\_\_ 3. When the AS/400 is completely powered down, power off all PCs and devices, such as printers and displays, that are connected to the system unit.
- \_\_\_ 4. Unplug any power cords, such as printers and displays, from electrical outlets.
- \_\_\_ 5. Unplug the system unit power cord from the electrical outlet.
- \_\_\_ 6. Remove the system unit front cover by gripping the sides of the cover **A** and pulling the cover toward you (Figure 1 on page 2).



RV4D115-1

Figure 7. Remove System Unit Front Cover

- 7. Attach the disposable wrist strap to prevent electrostatic discharge from damaging a device. Figure 8 on page 11 shows an example of where to attach the adhesive part of the foil to an unpainted surface.

**Notes:**

- a. Follow the same precautions you would use without the wrist strap. The 2209 Disposable Wrist Strap is for static control. It will not increase nor decrease your risk of receiving electric shock when using or working on electrical equipment.
- b. Discard the wrist strap immediately and contact your dealer for a replacement, if the disposable wrist strap appears damaged or cut off. Do not continue until a new wrist strap is available.
- c. Remove the liner from the copper foil at the end, when you unroll the strap.
- d. Attach the copper foil to an **exposed, unpainted** metal surface on the frame of the system unit (electrical ground).



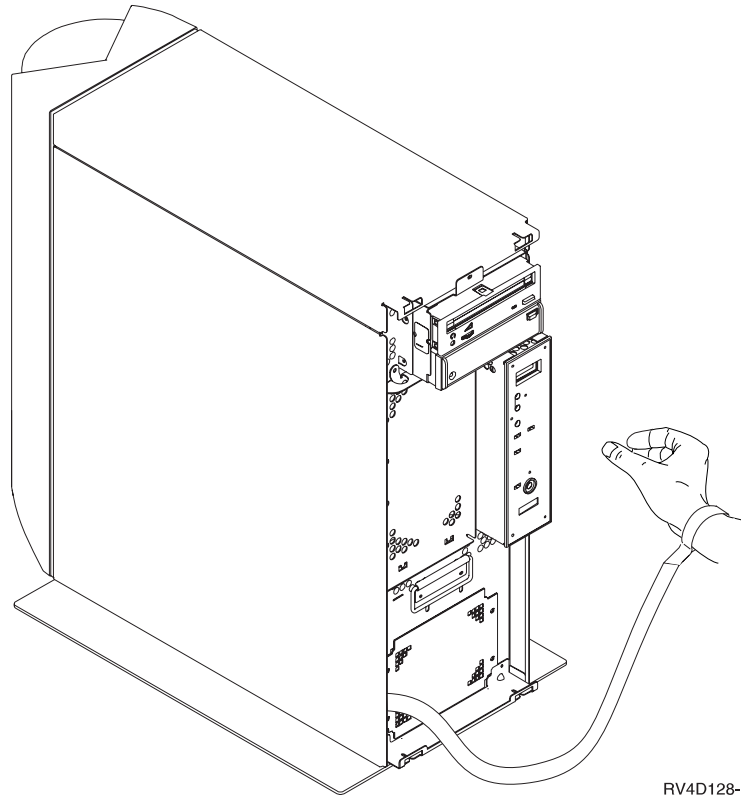


Figure 8. Attach Wrist Strap

- \_\_\_ 8. When you have a system unit with an expansion unit, **fill the slot positions in the base unit first**. The system unit you have will either be a base unit or a base unit with an expansion unit (Figure 9 on page 12).

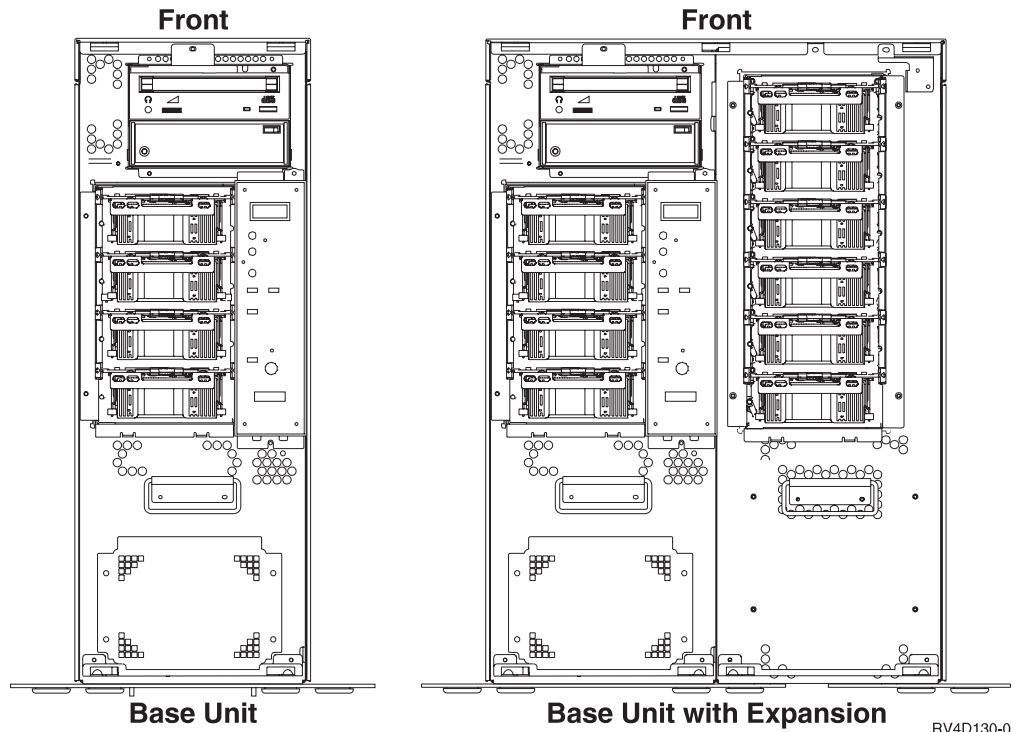


Figure 9. Disk Unit Slot Positions

**Note:** The picture above shows an example of a system unit with disk units in all the positions.

- \_\_\_ 9. Remove either the base unit or expansion unit disk unit shield by removing the screw **A** (Figure 10 on page 13).

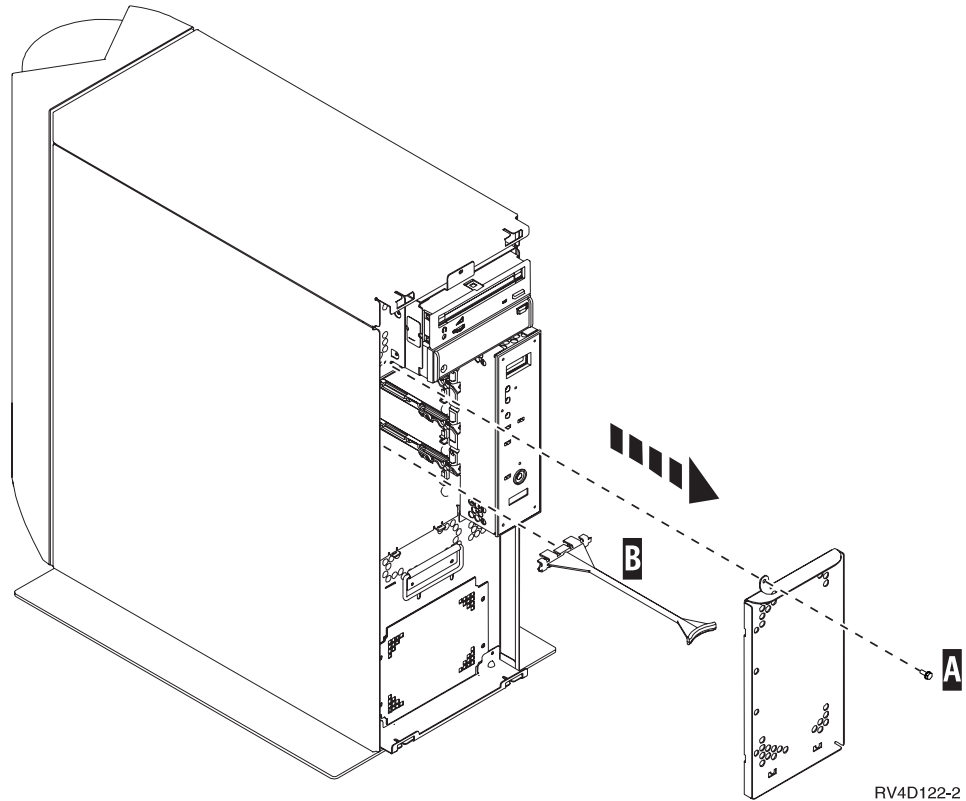


Figure 10. Remove Disk Unit Shield

- \_\_ 10. Remove the long plastic connector cover **B** from the next available slot.
- \_\_ 11. **Attention:** Disk units are fragile. Handle with care.  
**Be sure to use the wrist strap provided.** Place one end of the wrist strap around your wrist and connect the opposite end to your system unit.
- \_\_ 12. Find the package that contains the new disk unit assembly and remove it from the static-protective package. Write the serial number (SN xx-xxxxxxx) of the disk unit **B** here \_\_\_\_\_ before you install it.
- \_\_ 13. Hold the disk unit with the blue handle up.
- \_\_ 14. Pull the blue handle **A** out toward you before you install the disk unit into the system unit.

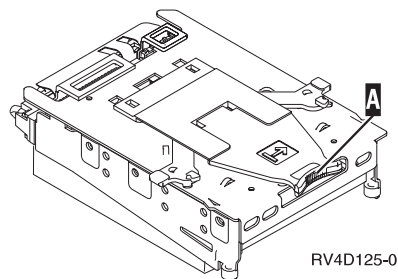


Figure 11. Disk Unit

**Note:** Support the bottom of the disk unit assembly as you slide it forward and install it into the system unit. Do not hold the disk unit by the blue handle.

- \_\_\_ 15. Align the disk unit assembly with the next available slot and slide it into the system unit until it **stops**.
- \_\_\_ 16. Firmly push the disk unit and handle until it locks into place, especially the last 1/2 inch.
- \_\_\_ 17. Install the disk unit shield cover.
- \_\_\_ 18. Do you have any other adapter cards or devices to install?

**No      Yes**

↓

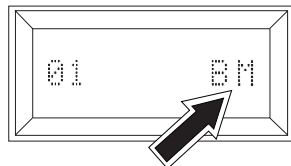
If you have another device such as an adapter card, a tape unit, or a memory card to install, go to the instructions that came with that device.

- \_\_\_ 19. Install the system unit front cover.
- \_\_\_ 20. **DANGER**

**An electrical outlet that is not correctly wired could place hazardous voltage on metal parts of the system or the products that attach to the system. It is the customer's responsibility to ensure that the outlet is correctly wired and grounded to prevent an electrical shock. (RSFTD201)**

Plug the following power cords into an electrical outlet.

- System unit
- System unit console
- \_\_\_ 21. Plug in and power on all attached devices, such as printers and displays.
- \_\_\_ 22. Look at the Function/Data display on the control panel. Does a **B M** appear in the Function/Data display?



RV4D186-0

**Yes      No**

↓

Do the following:

- a. Press the Up or Down select push button until **02** appears in the Function/Data display.
- b. Press the Enter push button on the control panel.
- c. Press the Up or Down select push button until **B M** appears in the Function/Data display.
- d. Press the Enter push button on the control panel.
- e. Press the Up or Down select push button until **01** appears in the Function/Data display.
- f. Press the Enter push button on the control panel.
- g. Go to step 23.
- \_\_\_ 23. Power on the workstation or PC that is your system unit console
- \_\_\_ 24. Power on the AS/400 system unit.
- \_\_\_ 25. Do the following to verify your disk unit configuration:

- a. When the IPL or install the System menu appears, select the *Use Dedicated Service Tools* option.  
Press the Enter key.
- b. On the *Dedicated Service Tools (DST) Sign-On* display, enter your DST Userid and password.

**Note:** The default DST password is **2222222222**, unless it has been changed.

Press the Enter key.

- c. When the *Use Dedicated Service Tools* menu appears, select the *Work with disk units* option.  
Press the Enter key.
- d. When the *Work with Disk Units* display appears, select the *Work with disk configuration* option.  
Press the Enter key.
- e. When the *Work with Disk Configuration* menu appears, select the *Display disk configuration* option.  
Press the Enter key.
- f. When the *Display Disk Configuration* menu appears, select the *Display non-configured units* option.  
Press the Enter key.
- g. The disk unit that you installed should be listed. The serial number should match the serial number you wrote in step 12 on page 13.

**Note:** If the disk unit is not listed, ensure that the disk unit is properly installed.

- h. Return to the *Work with Disk Units* menu (Press F12 three times).

\_\_\_ 26. On the *Work with disk units* display, select *Work with disk configuration*.  
Press the Enter key.

\_\_\_ 27. Are you adding a disk unit to an existing device parity set? If you need more information about device parity, go to the book, *Backup and Recovery*, SC41-5304-04 .

**Yes    No**

↓        Go to step 47 on page 16.

\_\_\_ 28. On the *Work with Disk Configuration* display, select *Work with device parity protection*.

\_\_\_ 29. On the *Work with Device Parity Protection* display, select *Include unit in device parity protection*.

\_\_\_ 30. Did the *Include Device Parity Protection Failed* display appear?

**Yes    No**

↓        Go to step 33 on page 16.

\_\_\_ 31. The following conditions must be met before you can start device parity protection. Including the disk unit in device parity protection may fail for one or more reasons.

- If there are enough disk units available to create a new parity set, the units will be eligible for *Start Device Parity Protection* operation. The disk unit will not be eligible for the *Include Device Parity Protection* operation. For more information, go to the *Backup and Recovery*, SC41-5304-04 .

- **All disk units in a parity set must be the same capacity with a minimum number of 4 disk units and maximum of 10 units in the resulting parity set.**
  - Not all disk units attached to an advanced function input/output processor have reported to the system. Retry the operation.
  - The type/model of the disk units is not supported for the requested operation.
- \_\_\_ 32. When the above conditions have been met, select F12 to return to the *Work with disk configuration* display.
- \_\_\_ 33. On the *Include Disk Units in Device Parity Protection* display, select the disk units to be included in Device Parity Protection by typing a **1** in the *Option* column.  
Press the Enter key.
- \_\_\_ 34. Press Enter to confirm your choice.
- \_\_\_ 35. When the device parity protection is complete, the message “Selected unit(s) have been included successfully” appears on the *Work with device parity protection* display.  
Press F12.
- \_\_\_ 36. On the *Work with disk configuration* display, select *Display disk configuration*.  
Press the Enter key.
- \_\_\_ 37. On the *Display disk configuration* display, select *Display disk configuration status*.
- \_\_\_ 38. Determine the auxiliary storage pool (ASP) to add the disk unit to.
- \_\_\_ 39. Press F12, twice.
- \_\_\_ 40. On the *Work with disk configuration* display, select *Work with ASP configuration*.  
Press the Enter key.
- \_\_\_ 41. On the *Work with disk configuration* display, select *Add units to ASPs and balance data*.  
Press the Enter key.
- \_\_\_ 42. On the *Specify to Add Units to display*, specify the ASP.  
Press the Enter key.
- \_\_\_ 43. Press Enter to confirm.
- \_\_\_ 44. When the message “Selected units have been added successfully”, return to the AS/400 Main menu.
- \_\_\_ 45. Go to step 54 on page 17.
- \_\_\_ 46.
- \_\_\_ 47. On the *Work with disk configuration* display, select *Display disk configuration*.  
Press the Enter key.
- \_\_\_ 48. On the *Display disk configuration* display, select *Display disk configuration status*.
- \_\_\_ 49. Determine the auxiliary storage pool (ASP) to add the disk unit to.
- \_\_\_ 50. Press F12, twice.
- \_\_\_ 51. On the *Work with disk configuration* display, select *Add units to ASPs*.  
Press the Enter key.
- \_\_\_ 52. Specify the number of the ASP you want to add the disk unit to. The system ASP is **ASP 1**.  
Press the Enter key.

- \_\_\_ 53. The *Confirm Add Units* display appears showing the configuration your system will have when the add completes.

**Note:** If you have selected the wrong ASP, press F12 to change your options.

Press the Enter key to continue. The add process will take several minutes to complete.

- \_\_\_ 54. Install the disk unit shield cover.
- \_\_\_ 55. Install the system unit front cover.
- \_\_\_ 56. Press F12 three times to return to the *Use Dedicated Service Tools (DST)* display.
- \_\_\_ 57. Select *Perform an IPL* option.  
Press the Enter key.
- \_\_\_ 58. If you have a printer, print the configuration list. A service representative may refer to the configuration list in the future.
  - a. On the AS/400 Main menu command line type:

**Note:** You need to be signed on with service authority.

STRSST

Press the Enter key.

- b. On the STRSST display, select *Start a service tool* option.  
Press the Enter key.
  - c. On the Start a Service Tool display, select *Hardware service manager* option.  
Press the Enter key.
  - d. From the Hardware Service Manager display, press F6 (print the configuration).
  - e. To return to the AS/400 Main menu, press F3 (Exit) twice and then press the Enter key.
  - f. Place the configuration list in the book, *Basic System Operation, Administration, and Problem Handling*, SC41-5206-04.
- \_\_\_ 59. For information on how to make your disk unit operational, go to the *AS/400 Information Center*. You can access the Information Center from the book, *AS/400 Information Center*, SK3T-2027-03 or from the following Web site:  
<http://www.as400.ibm.com/infocenter>
- \_\_\_ 60. The installation of the disk unit is complete. Keep all miscellaneous parts, such as wrap connectors, with the Service Materials box or in a safe place.





---

## Notices

This information was developed for products and services offered in the U.S.A. IBM may not offer the products, services, or features discussed in this document in other countries. Consult your local IBM representative for information on the products and services currently available in your area. Any reference to an IBM product, program, or service is not intended to state or imply that only that IBM product, program, or service may be used. Any functionally equivalent product, program, or service that does not infringe any IBM intellectual property right may be used instead. However, it is the user's responsibility to evaluate and verify the operation of any non-IBM product, program, or service.

IBM may have patents or pending patent applications covering subject matter described in this document. The furnishing of this document does not give you any license to these patents. You can send license inquiries, in writing, to:

IBM Director of Licensing  
IBM Corporation  
500 Columbus Avenue  
Thornwood, NY 10594  
U.S.A.

**The following paragraph does not apply to the United Kingdom or any other country where such provisions are inconsistent with local law:**

INTERNATIONAL BUSINESS MACHINES CORPORATION PROVIDES THIS PUBLICATION "AS IS" WITHOUT WARRANTY OF ANY KIND, EITHER EXPRESS OR IMPLIED, INCLUDING, BUT NOT LIMITED TO, THE IMPLIED WARRANTIES OF NON-INFRINGEMENT, MERCHANTABILITY OR FITNESS FOR A PARTICULAR PURPOSE. Some states do not allow disclaimer of express or implied warranties in certain transactions, therefore, this statement may not apply to you.

This information could include technical inaccuracies or typographical errors. Changes are periodically made to the information herein; these changes will be incorporated in new editions of the publication. IBM may make improvements and/or changes in the product(s) and/or the program(s) described in this publication at any time without notice.

Information concerning non-IBM products was obtained from the suppliers of those products, their published announcements or other publicly available sources. IBM has not tested those products and cannot confirm the accuracy of performance, compatibility or any other claims related to non-IBM products. Questions on the capabilities of non-IBM products should be addressed to the suppliers of those products.

If you are viewing this information softcopy, the photographs and color illustrations may not appear.

The drawings and specifications contained herein shall not be reproduced in whole or in part without the written permission of IBM.

IBM has prepared this publication for use by customer personnel for operating and planning for the specific machines indicated. IBM makes no representations that it is suitable for any other purpose.

---

## Trademarks

The following terms are trademarks of the IBM Corporation in the United States or other countries or both:

AS/400  
AS/400e series  
Client Access  
Client Access/400  
IBM  
NetFinity  
Operating System/400  
OS/400  
400  
800-IBM-CALL

Microsoft, Windows, Windows NT, and the Windows 95 logo are trademarks or registered trademarks of Microsoft Corporation.

Other company, product, and service names, which may be denoted by a double asterisk (\*\*), may be trademarks or service marks of others.

---

## Readers' Comments — We'd Like to Hear from You

AS/400e 170 or 250  
6807, 6813, 6817, 6824, or 6831  
Disk Unit Instruction

Publication No. SENG-6807-04

Overall, how satisfied are you with the information in this book?

	Very Satisfied	Satisfied	Neutral	Dissatisfied	Very Dissatisfied
Overall satisfaction	<input type="checkbox"/>	<input type="checkbox"/>	<input type="checkbox"/>	<input type="checkbox"/>	<input type="checkbox"/>

How satisfied are you that the information in this book is:

	Very Satisfied	Satisfied	Neutral	Dissatisfied	Very Dissatisfied
Accurate	<input type="checkbox"/>	<input type="checkbox"/>	<input type="checkbox"/>	<input type="checkbox"/>	<input type="checkbox"/>
Complete	<input type="checkbox"/>	<input type="checkbox"/>	<input type="checkbox"/>	<input type="checkbox"/>	<input type="checkbox"/>
Easy to find	<input type="checkbox"/>	<input type="checkbox"/>	<input type="checkbox"/>	<input type="checkbox"/>	<input type="checkbox"/>
Easy to understand	<input type="checkbox"/>	<input type="checkbox"/>	<input type="checkbox"/>	<input type="checkbox"/>	<input type="checkbox"/>
Well organized	<input type="checkbox"/>	<input type="checkbox"/>	<input type="checkbox"/>	<input type="checkbox"/>	<input type="checkbox"/>
Applicable to your tasks	<input type="checkbox"/>	<input type="checkbox"/>	<input type="checkbox"/>	<input type="checkbox"/>	<input type="checkbox"/>

Please tell us how we can improve this book:

Thank you for your responses. May we contact you?  Yes  No

When you send comments to IBM, you grant IBM a nonexclusive right to use or distribute your comments in any way it believes appropriate without incurring any obligation to you.

\_\_\_\_\_  
Name

\_\_\_\_\_  
Address

\_\_\_\_\_  
Company or Organization

\_\_\_\_\_  
Phone No.



Fold and Tape

Please do not staple

Fold and Tape



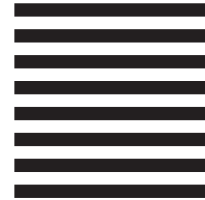
NO POSTAGE  
NECESSARY  
IF MAILED IN THE  
UNITED STATES

# BUSINESS REPLY MAIL

FIRST-CLASS MAIL PERMIT NO. 40 ARMONK, NEW YORK

POSTAGE WILL BE PAID BY ADDRESSEE

IBM CORPORATION  
ATTN DEPT 542  
IDCLERK  
3605 Highway 52 N  
ROCHESTER MN 55901-7829



Fold and Tape

Please do not staple

Fold and Tape





Printed in the United States of America  
on recycled paper containing 10%  
recovered post-consumer fiber.

SENG-6807-04

