

AS/400e



820 and 5075 Power Supply and Air Moving Device Installation Instruction

Version 4

AS/400e



820 and 5075 Power Supply and Air Moving Device Installation Instruction

Version 4

Note

Before using this information and the product it supports, be sure to read the "Safety and Environmental Notices" on page iii and the "Notices" on page 13.

Fifth Edition (July 2000)

This edition applies only to reduced instructions set computer (RISC) systems.

© Copyright International Business Machines Corporation 2000. All rights reserved.

US Government Users Restricted Rights – Use, duplication or disclosure restricted by GSA ADP Schedule Contract with IBM Corp.

Safety and Environmental Notices

Danger Notices

A danger notice calls attention to a situation that is potentially lethal or extremely hazardous to people.

DANGER

To prevent a possible electrical shock during an electrical storm, do not connect or disconnect cables or station protectors for communications lines, display stations, printers, or telephones. (RSFTD003)

DANGER

To prevent a possible electrical shock from touching two surfaces with different electrical grounds, use one hand, when possible, to connect or disconnect signal cables. (RSFTD004)

DANGER

An electrical outlet that is not correctly wired could place hazardous voltage on metal parts of the system or the products that attach to the system. It is the customer's responsibility to ensure that the outlet is correctly wired and grounded to prevent an electrical shock. (RSFTD201)

DANGER

To prevent a possible electrical shock when adding or removing any devices to or from the system, ensure that the power cords for those devices are unplugged before the signal cables are connected or disconnected. If possible, disconnect all power cords from the existing system before you add or remove a device. (RSFTD203)

Caution Notices

A caution notice calls attention to a situation that is potentially hazardous to people because of some existing condition.

CAUTION:

Telecommunications Statement: This unit contains over-voltage circuits between the ac power outlet and the unit. These circuits meet the standard limits described in International Electrical Commission (IEC) 664, installation category II. It is the customer's responsibility to ensure that the power outlet meets the standards of IEC 664, installation category II. (RSFTC214)

Laser Safety Information

CAUTION:

This product may contain a CD-ROM which is a class 1 laser product. (RSFTC240)

Product Recycling and Disposal

Components of the system, such as structural parts and circuit cards, can be recycled where recycling facilities exist. IBM does not currently collect and recycle used IBM products from customers in the United States other than those products that are involved in trade-in programs. Companies are available to disassemble, reutilize, recycle, or dispose of electronic products. Contact an IBM account representative for more information.

The system unit contains batteries and circuit boards with lead solder. Before you dispose of this unit, these batteries and circuit boards must be removed and discarded according to local regulations or recycled where facilities exist. This book contains specific information on each battery type where applicable.

Battery Return Program

In the United States, IBM has established a collection process for reuse, recycling, or proper disposal of used IBM batteries and battery packs. For information on proper disposal of the batteries in this unit, please contact IBM at 1-800-426-4333. Please have the IBM part number that is listed on the battery available when you make your call. For information on battery disposal outside the United States, contact your local waste disposal facility.

Environmental Design

The environmental efforts that have gone into the design of the system signify IBM's commitment to improve the quality of its products and processes. Some of these accomplishments include the elimination of the use of Class I ozone-depleting chemicals in the manufacturing process, reductions in manufacturing wastes, and increased product energy efficiency. For more information, contact an IBM account representative.

Chapter 1. You have received your ordered power supply and air moving devices (feature 5155)

You install the fan and power supply with the unit powered on.

Before you begin

This feature is customer installable. If you elect not to do this installation yourself, contact IBM or an Authorized Dealer to make arrangements for them to perform the feature installation for a fee.

You need to allow additional time to complete your jobs, back up your system, IPL your system, and verify your hardware configuration.

When you use these instructions, you may do some of the following:

- Remove the system unit covers.
- Install your new hardware.
- Install covers.
- IPL your operating system.
- Verify your new hardware configuration.

Some of the pictures in these instructions may not look exactly like the system unit that you have. However, the steps to perform the task are the same.

- ___ 1. Ensure that you have a current backup of your system (including operating systems, licensed programs and data).
- ___ 2. Ensure that you take a few minutes to become familiar with these instructions.
- ___ 3. If there are incorrect, missing or visibly damaged parts, contact one of the following:
 - Your authorized dealer
 - IBM Rochester Manufacturing Automated Information Line (R-MAIL)
 - 1-800-300-8751 (United States)
 - 1-507-253-5242 (worldwide)
- ___ 4. If you encounter difficulties during the installation, contact your authorized dealer or service provider.
- ___ 5. Determine if there are any existing prerequisites before you install your new feature. Go to this Web site and locate your feature number and OS/400 release and check the prerequisites at:
http://as400service.ibm.com/s_dir/slkbases.NSF/

Then do the following to get to the Customer Install Features Prerequisites:

- a. Select **All Documents**
- b. Select **Collapse**
- c. Select **General Information**
- d. Select **Offerings**
- e. Select **Feature Prerequisites**
- f. Select **Customer Install Features Prerequisites**

Chapter 2. Installing power supplies

You install the power supply with the unit powered on.

- ___ 1. Remove the back cover. Refer to “Removing the side and back cover” on page 9.
- ___ 2. Remove the left side cover (viewed from back).
- ___ 3. Locate the power supply area. Refer to “Locations” on page 11.
- ___ 4. You will install the power supply into the next available area.

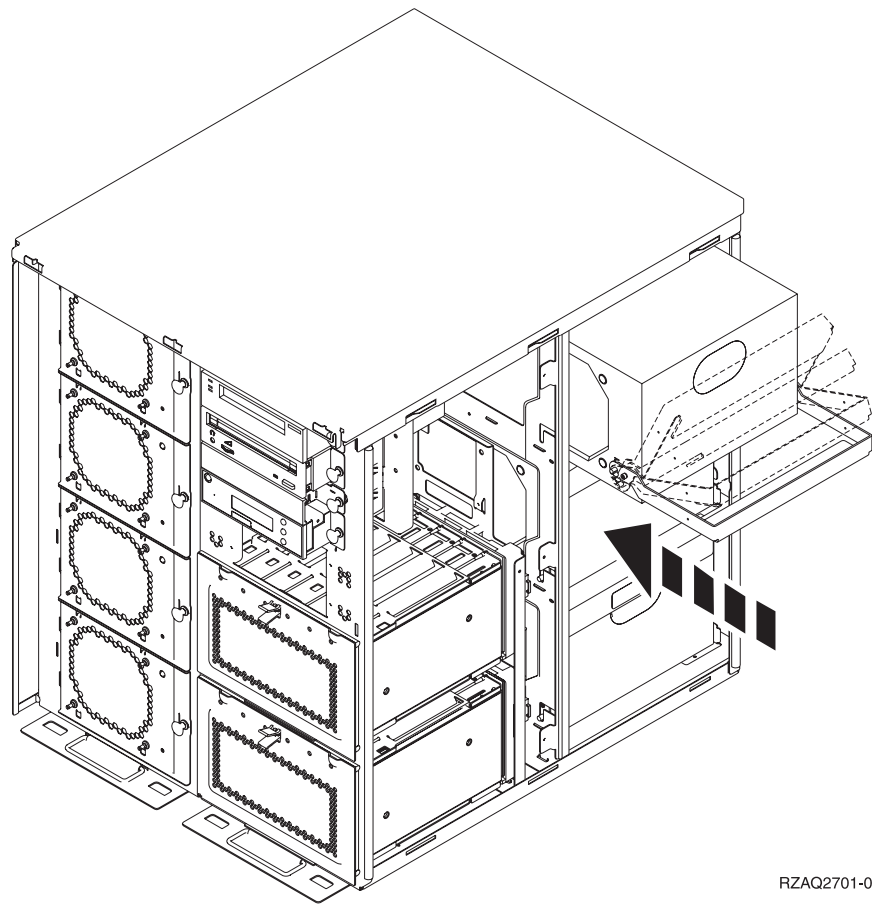
820 System Unit:

- Remove the power supply filler plate from position **P03** before installing the power supply. Pull the blue latch to remove the filler plate.

5075 Expansion Unit:

- Install the power supply in position **P02**.
- ___ 5. Pull the blue handle down on the power supply.

Note: The following picture is a power supply shown on an AS/400 system unit 820. The power supply for the 5075 expansion unit is the same.



RZAQ2701-0

- ___ 6. Slide the power supply into the system unit.
- ___ 7. Move the blue handle up to lock in place.

- ___ 8. Look at the back of the system unit. A green light on the power supply indicates that power is powered on.
- ___ 9. Install side cover.
- ___ 10. Install back cover.

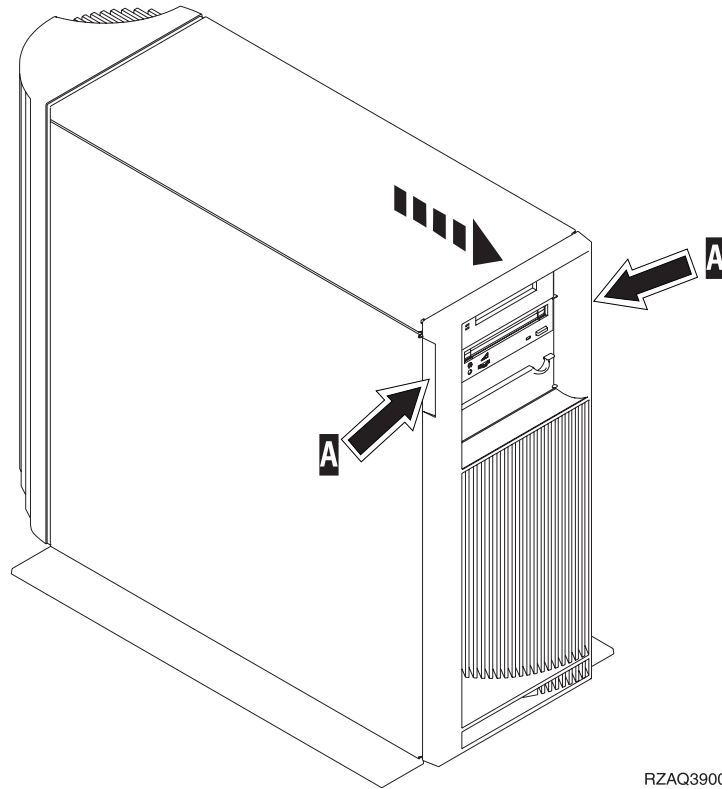
Chapter 3. Installing the air moving device

You install the air moving devices with the unit powered on.

- ___ 1. Remove the front cover. Refer to "Removing the front cover" on page 7.
- ___ 2. Locate the air moving devices on the front of the machine. Refer to "Locations" on page 11.
- ___ 3. Pull the blue latch to remove the air moving devices filler plates.
- ___ 4. Install the air moving device assembly in the next available position (B02). Refer to "Locations" on page 11.
- ___ 5. Push in the blue latch.
- ___ 6. The air moving device is running, but the green light will not light until the next power off and power on of the system.
- ___ 7. If you have another air moving device assembly, install it in the next available position (B04).
- ___ 8. Push in the blue latch.
- ___ 9. The air moving device is running, but the green light will not light until the next power off and power on of the system.
- ___ 10. Install the front cover.
- ___ 11. Place the air moving device filler plates in a safe place for future use. If the air moving devices are removed, install the air moving device filler plate.

Removing the front cover

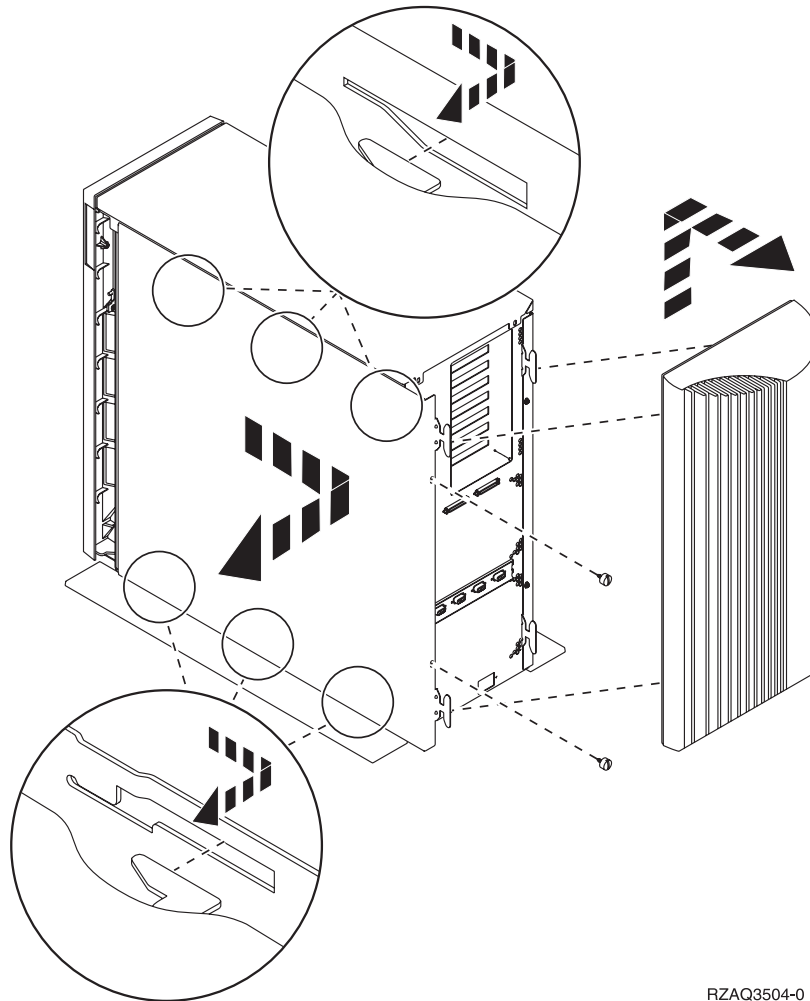
Remove the system unit or expansion unit front cover by gripping the sides of the cover **A** and pulling the cover toward you.



RZAQ3900-0

Removing the side and back cover

- __ 1. Place your hand near the bottom of the back cover and lift up and out.
- __ 2. Remove the left side cover (view from back) by loosening the thumbscrews and sliding the cover from front to back until it stops.
- __ 3. Pull the cover out.



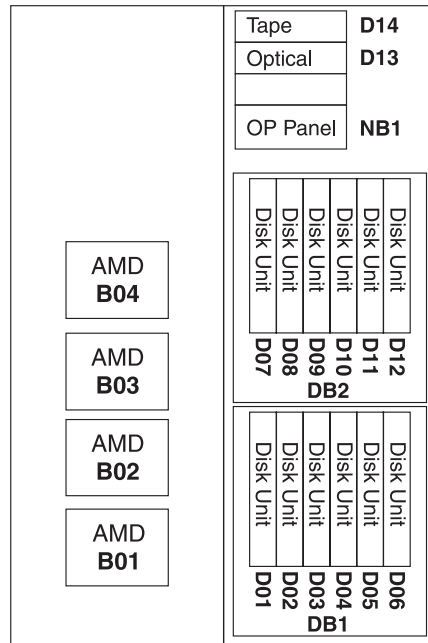
RZAQ3504-0

Locations

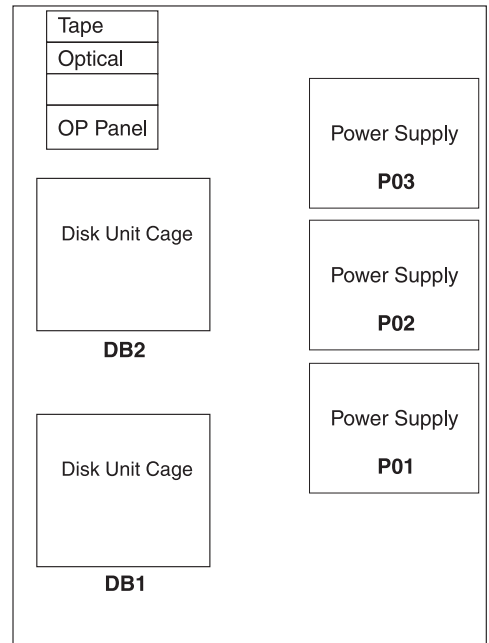
Locate the diagram for your unit (820 or 5075).

820 air moving device and power supply location

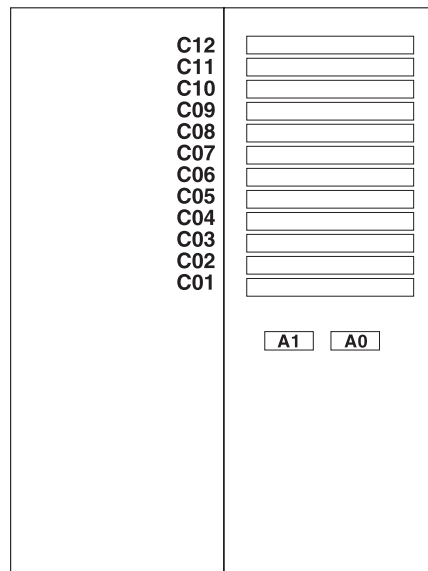
- Remove the power supply filler plate from position **P03** before installing the power supply. Pull the blue latch to remove the filler plate.
- Install air moving devices in position **B02** first, then **B04**.



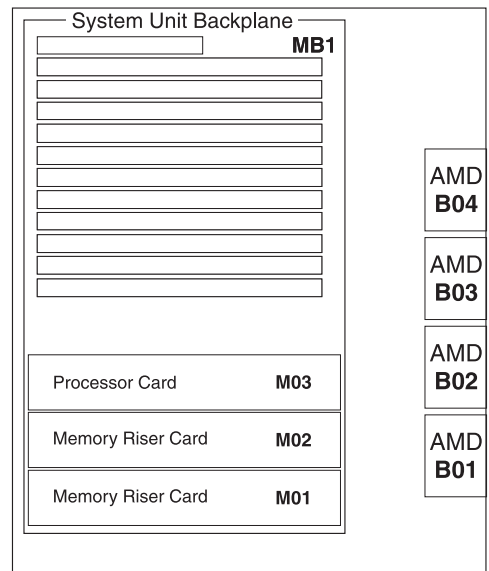
Front



Right



Back

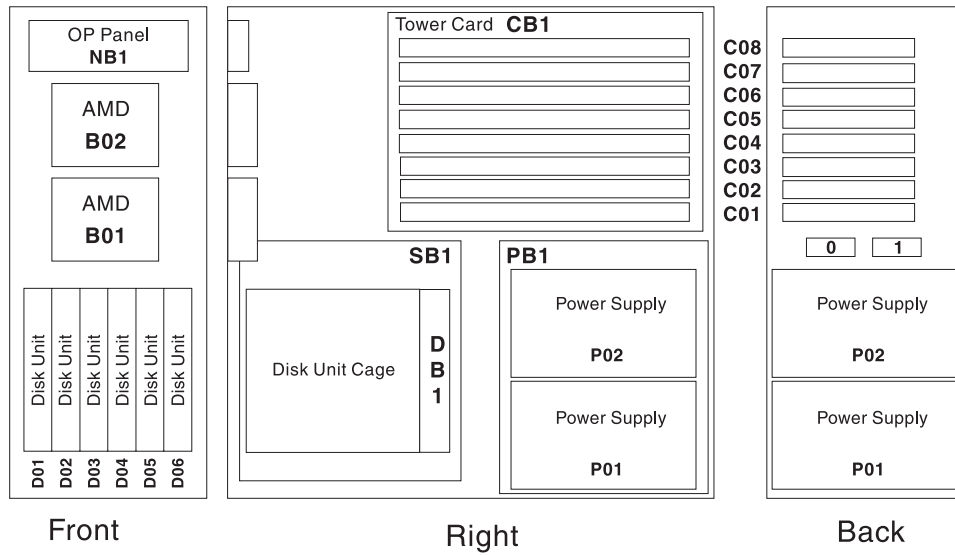


Left

RZAQ2503-4

5075 air moving device and power supply location

- Install the power supply in position **P02**.
- Install the air moving device in position **B02**.



RZAQ2500-2

Notices

This information was developed for products and services offered in the U.S.A. IBM may not offer the products, services, or features discussed in this document in other countries. Consult your local IBM representative for information on the products and services currently available in your area. Any reference to an IBM product, program, or service is not intended to state or imply that only that IBM product, program, or service may be used. Any functionally equivalent product, program, or service that does not infringe any IBM intellectual property right may be used instead. However, it is the user's responsibility to evaluate and verify the operation of any non-IBM product, program, or service.

IBM may have patents or pending patent applications covering subject matter described in this document. The furnishing of this document does not give you any license to these patents. You can send license inquiries, in writing, to:

IBM Director of Licensing
IBM Corporation
500 Columbus Avenue
Thornwood, NY 10594
U.S.A.

The following paragraph does not apply to the United Kingdom or any other country where such provisions are inconsistent with local law:

INTERNATIONAL BUSINESS MACHINES CORPORATION PROVIDES THIS PUBLICATION "AS IS" WITHOUT WARRANTY OF ANY KIND, EITHER EXPRESS OR IMPLIED, INCLUDING, BUT NOT LIMITED TO, THE IMPLIED WARRANTIES OF NON-INFRINGEMENT, MERCHANTABILITY OR FITNESS FOR A PARTICULAR PURPOSE. Some states do not allow disclaimer of express or implied warranties in certain transactions, therefore, this statement may not apply to you.

This information could include technical inaccuracies or typographical errors. Changes are periodically made to the information herein; these changes will be incorporated in new editions of the publication. IBM may make improvements and/or changes in the product(s) and/or the program(s) described in this publication at any time without notice.

Information concerning non-IBM products was obtained from the suppliers of those products, their published announcements or other publicly available sources. IBM has not tested those products and cannot confirm the accuracy of performance, compatibility or any other claims related to non-IBM products. Questions on the capabilities of non-IBM products should be addressed to the suppliers of those products.

If you are viewing this information softcopy, the photographs and color illustrations may not appear.

The drawings and specifications contained herein shall not be reproduced in whole or in part without the written permission of IBM.

IBM has prepared this publication for use by customer personnel for operating and planning for the specific machines indicated. IBM makes no representations that it is suitable for any other purpose.

Trademarks

The following terms are trademarks of the IBM Corporation in the United States or other countries or both:

AS/400
AS/400e series
Client Access
Client Access/400
IBM
NetFinity
Operating System/400
OS/400
400
800-IBM-CALL

Microsoft, Windows, Windows NT, and the Windows 95 logo are trademarks or registered trademarks of Microsoft Corporation.

Other company, product, and service names, which may be denoted by a double asterisk (**), may be trademarks or service marks of others.

Readers' Comments — We'd Like to Hear from You

AS/400e
820 and 5075
Power Supply and Air Moving Device
Installation Instruction

Publication No. SENG-5155-00

Overall, how satisfied are you with the information in this book?

| | Very Satisfied | Satisfied | Neutral | Dissatisfied | Very Dissatisfied |
|----------------------|--------------------------|--------------------------|--------------------------|--------------------------|--------------------------|
| Overall satisfaction | <input type="checkbox"/> | <input type="checkbox"/> | <input type="checkbox"/> | <input type="checkbox"/> | <input type="checkbox"/> |

How satisfied are you that the information in this book is:

| | Very Satisfied | Satisfied | Neutral | Dissatisfied | Very Dissatisfied |
|--------------------------|--------------------------|--------------------------|--------------------------|--------------------------|--------------------------|
| Accurate | <input type="checkbox"/> | <input type="checkbox"/> | <input type="checkbox"/> | <input type="checkbox"/> | <input type="checkbox"/> |
| Complete | <input type="checkbox"/> | <input type="checkbox"/> | <input type="checkbox"/> | <input type="checkbox"/> | <input type="checkbox"/> |
| Easy to find | <input type="checkbox"/> | <input type="checkbox"/> | <input type="checkbox"/> | <input type="checkbox"/> | <input type="checkbox"/> |
| Easy to understand | <input type="checkbox"/> | <input type="checkbox"/> | <input type="checkbox"/> | <input type="checkbox"/> | <input type="checkbox"/> |
| Well organized | <input type="checkbox"/> | <input type="checkbox"/> | <input type="checkbox"/> | <input type="checkbox"/> | <input type="checkbox"/> |
| Applicable to your tasks | <input type="checkbox"/> | <input type="checkbox"/> | <input type="checkbox"/> | <input type="checkbox"/> | <input type="checkbox"/> |

Please tell us how we can improve this book:

Thank you for your responses. May we contact you? Yes No

When you send comments to IBM, you grant IBM a nonexclusive right to use or distribute your comments in any way it believes appropriate without incurring any obligation to you.

Name

Address

Company or Organization

Phone No.



Fold and Tape

Please do not staple

Fold and Tape



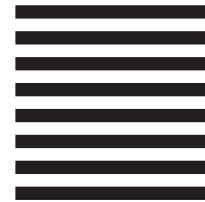
NO POSTAGE
NECESSARY
IF MAILED IN THE
UNITED STATES

BUSINESS REPLY MAIL

FIRST-CLASS MAIL PERMIT NO. 40 ARMONK, NEW YORK

POSTAGE WILL BE PAID BY ADDRESSEE

IBM CORPORATION
ATTN DEPT 542
IDCLERK
3605 Highway 52 N
ROCHESTER MN 55901-7829



Fold and Tape

Please do not staple

Fold and Tape



Printed in the United States of America
on recycled paper containing 10%
recovered post-consumer fiber.

SENG-5155-00

