

AS/400e



# Adding Removable Media to your 5074 or 5079 Expansion Unit

*Version 4*



AS/400e



# Adding Removable Media to your 5074 or 5079 Expansion Unit

*Version 4*

**Note**

Before using this information and the product it supports, be sure to read the "Notices" on page 11 and the "Safety and Environmental Notices" on page iii.

**First Edition (July 2000)**

This edition applies only to reduced instructions set computer (RISC).

© Copyright International Business Machines Corporation 2000. All rights reserved.

US Government Users Restricted Rights – Use, duplication or disclosure restricted by GSA ADP Schedule Contract with IBM Corp.

---

## Safety and Environmental Notices

---

### Danger Notices

A danger notice calls attention to a situation that is potentially lethal or extremely hazardous to people.

**DANGER**

An electrical outlet that is not correctly wired could place hazardous voltage on metal parts of the system or the products that attach to the system. It is the customer's responsibility to ensure that the outlet is correctly wired and grounded to prevent an electrical shock. (RSFTD201)

**DANGER**

To prevent a possible electrical shock when installing the system, ensure that the power cords for all devices are unplugged before installing signal cables. (RSFTD202)

**DANGER**

To prevent a possible electrical shock when adding or removing any devices to or from the system, ensure that the power cords for those devices are unplugged before the signal cables are connected or disconnected. If possible, disconnect all power cords from the existing system before you add or remove a device. (RSFTD203)

**DANGER**

To prevent a possible electrical shock from touching two surfaces with different electrical grounds, use one hand, when possible, to connect or disconnect signal cables. (RSFTD004)

---

### Caution Notices

A caution notice calls attention to a situation that is potentially hazardous to people because of some existing condition.

**CAUTION:**

**Telecommunications Statement:** This unit contains over-voltage circuits between the ac power outlet and the unit. These circuits meet the standard limits described in International Electrical Commission (IEC) 664, installation category II. It is the customer's responsibility to ensure that the power outlet meets the standards of IEC 664, installation category II. (RSFTC214)

### Laser Safety Information

**CAUTION:**

This product may contain a CD-ROM which is a class 1 laser product. (RSFTC240)

## **Product Recycling and Disposal**

Components of the system, such as structural parts and circuit cards, can be recycled where recycling facilities exist. IBM does not currently collect and recycle used IBM products from customers in the United States other than those products that are involved in trade-in programs. Companies are available to disassemble, reutilize, recycle, or dispose of electronic products. Contact an IBM account representative for more information.

The system unit contains batteries and circuit boards with lead solder. Before you dispose of this unit, these batteries and circuit boards must be removed and discarded according to local regulations or recycled where facilities exist. This book contains specific information on each battery type where applicable.

## **Battery Return Program**

In the United States, IBM has established a collection process for reuse, recycling, or proper disposal of used IBM batteries and battery packs. For information on proper disposal of the batteries in this unit, please contact IBM at 1-800-426-4333. Please have the IBM part number that is listed on the battery available when you make your call. For information on battery disposal outside the United States, contact your local waste disposal facility.

## **Environmental Design**

The environmental efforts that have gone into the design of the system signify IBM's commitment to improve the quality of its products and processes. Some of these accomplishments include the elimination of the use of Class I ozone-depleting chemicals in the manufacturing process, reductions in manufacturing wastes, and increased product energy efficiency. For more information, contact an IBM account representative.

---

## Installation Instructions

You may install removable media device features yourself. It takes approximately one hour to install the hardware. However, if you elect not to install the feature, contact IBM or an authorized dealer to install the removable media device feature for a fee.

Allow additional time to complete your jobs, to back up your system, and to IPL your system, and to verify your hardware configuration.

When you use these instructions, you will do the following:

- Remove the front cover for the expansion unit.
- Install your new hardware.
- Install the cover.
- IPL your operating system, if you are performing a non-concurrent install.
- Verify your new hardware configuration.

---

### Before you begin

Follow the instructions below before you install your removable media.

- Ensure that you have a current backup of your operating system and licensed programs. If you have backed up the operating system and licensed programs since the last time you applied PTFs, that backup is acceptable.
- Ensure that you take a few minutes to become familiar with these instructions.
- If there are incorrect, missing, or visibly damaged parts, contact one of the following:
  - Your authorized dealer
  - IBM Rochester Manufacturing Automated Information Line (R-MAIL)
    - 1-800-300-8751 (United States)
    - 1-507-253-5242 (worldwide)
- Determine if there are any existing prerequisites before you install your new feature. Go to this Web site and locate your feature number and OS/400 release and check the prerequisites at:

[http://as400service.ibm.com/s\\_dir/slkbases.NSF/](http://as400service.ibm.com/s_dir/slkbases.NSF/)

Then do the following to get to the Customer Install Features Prerequisites:

1. Select **All Documents**
2. Select **Collapse**
3. Select **General Information**
4. Select **Offerings**
5. Select **Feature Prerequisites**
6. Select **Customer Install Features Prerequisites**

Table 1. Possible removable media device configurations

Removable Media Device	5074	5079
CD-ROM Drive (4425)	Install up to two	Install up to four
4 GB Tape Drive (4482)	Install up to two	Install up to four

Table 1. Possible removable media device configurations (continued)

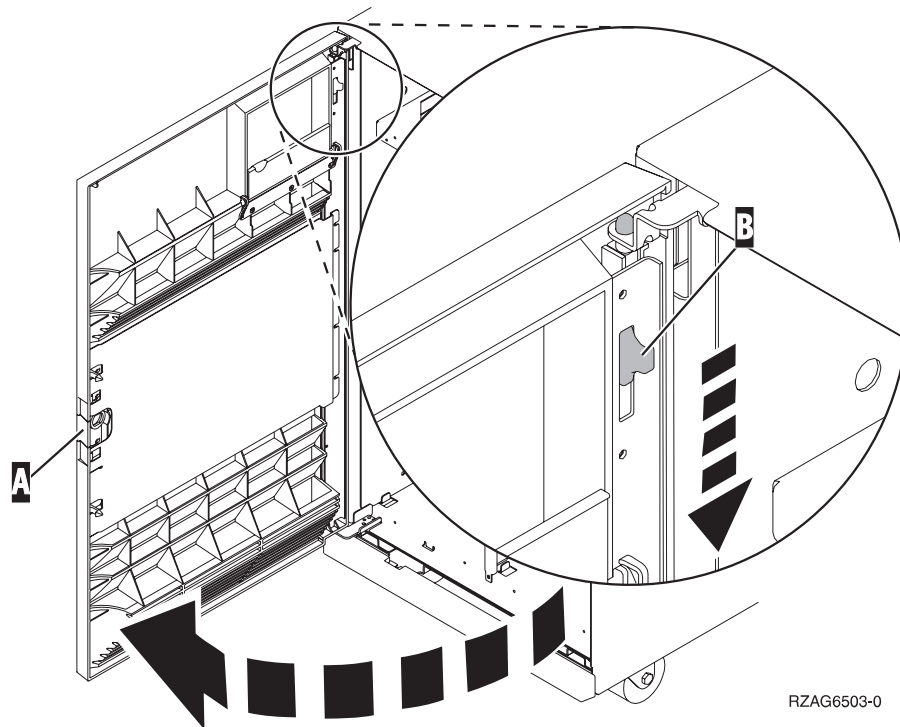
12 GB Tape Drive (4483)	Install up to two	Install up to four
25 GB Tape Drive (4486)	Install up to two	Install up to four

## Installing removable media devices

This procedure gives you the steps you need to install removable media devices in your expansion unit. It will help you to decide between a concurrent removable media device installation and a power down removable media device installation. During a concurrent installation, you do not power down your expansion unit.

If you encounter difficulties during the installation, contact your authorized dealer or service provider.

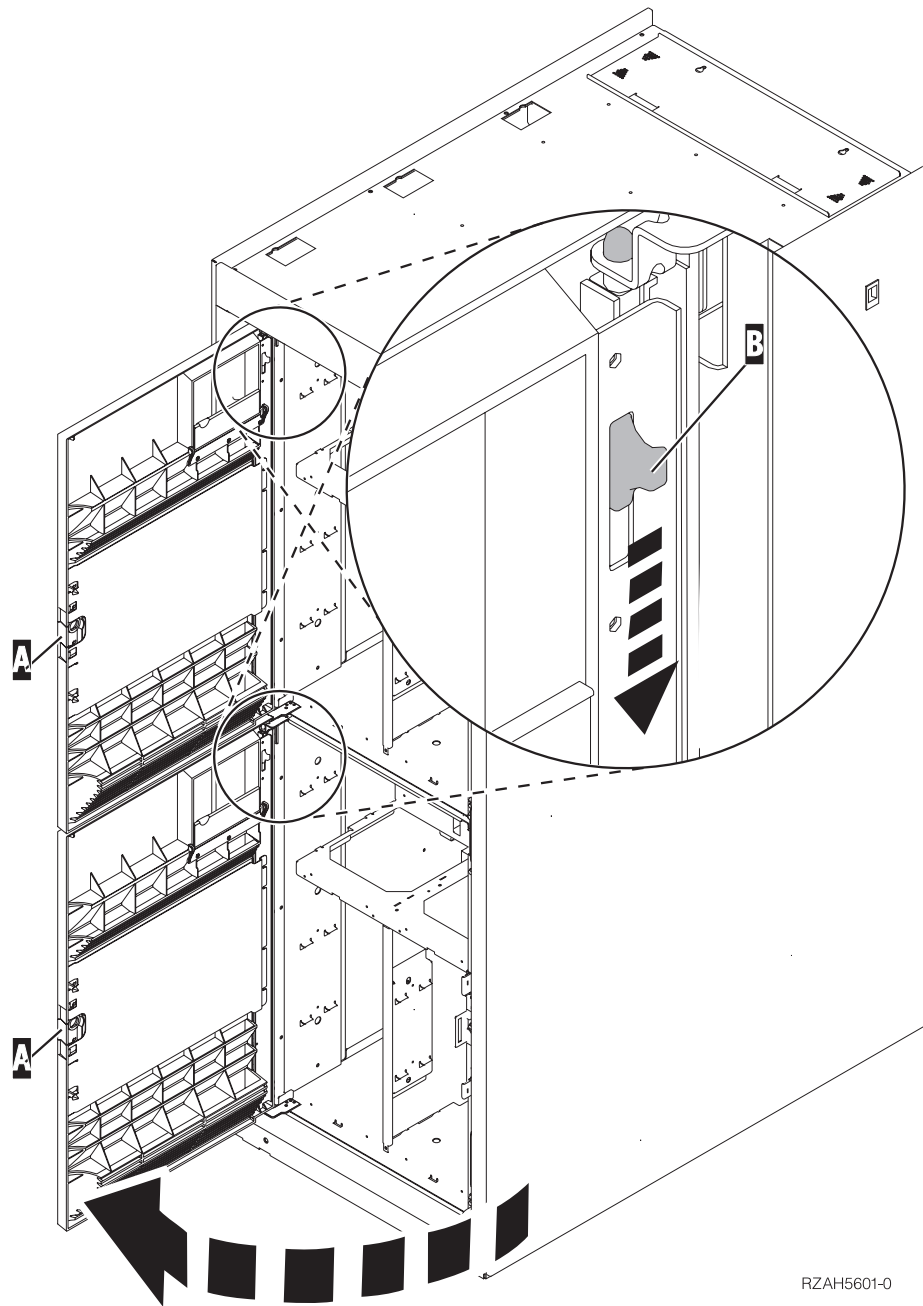
- \_\_\_ 1. Is your main system-unit powered off?  
    **No**    **Yes**  
    ↓        Go to step 4 on page 6.
- \_\_\_ 2. Use the latch that is shown at **A** to open the front cover (Figure 1, 5074; Figure 2 on page 3, 5079).
- \_\_\_ 3. If needed, use the latch that is shown at **B** to remove the front cover.



RZAG6503-0

Figure 1. Opening the front cover door (5074)





RZAH5601-0

Figure 2. Opening the front cover door (5079)

- \_\_\_ 4. Attach the disposable wrist strap to prevent electrostatic discharge from damaging a device.

**Notes:**

- a. The 2209 Disposable Wrist Strap is for static control. It will not increase nor decrease your risk of receiving electric shock when using or working on electrical equipment. Follow the same precautions you would use without the wrist strap.
- b. If the disposable wrist strap appears damaged, discard the wrist strap immediately and contact your dealer for a replacement. Do not continue until a new wrist strap is available.

- c. When you unroll the wrist strap, remove the liner from the copper foil at the end.
  - d. Attach the copper foil to an **exposed, unpainted** metal surface on the frame of the expansion unit (electrical ground).
- \_\_\_ 5. Be sure you understand the complexity of the steps in “Concurrent procedure (system-unit powered on)” before you begin. If you do not feel comfortable using the concurrent procedure, go to “NonConcurrent procedure (system-unit powered off)” on page 6.

## Concurrent procedure (system-unit powered on)

Follow these steps to perform the concurrent install.

**Attention:** Failure to follow these instructions could result in damage to the removable media device or the system-unit and could result in loss of data.

- \_\_\_ 1. If you have not already, sign on as **QSECOFR**
- \_\_\_ 2. On an AS/400 command line, type: **STRSST**. Press the Enter key.
- \_\_\_ 3. When the *System Service Tools (SST)* menu appears, select the **Start a service tool** option.  
Press the Enter key.
- \_\_\_ 4. When the *Start a Service Tool* menu appears, select the **Hardware service manager** option.  
Press the Enter key.
- \_\_\_ 5. When the *Hardware Service Manager* menu appears, select the **Packaging hardware resources (system, frames, cards...)** option.  
Press the Enter key.
- \_\_\_ 6. On the *Packaging Hardware Resources* menu, locate the expansion unit in which you are installing the removable media device.
- \_\_\_ 7. Once you locate your expansion unit, look at the *Frame ID* field. (The Frame ID is also displayed on the front of each expansion unit.)
- \_\_\_ 8. Write the number that appears in the *Frame ID* field here:\_\_\_\_\_ .
- \_\_\_ 9. Look at the label on the inside of the front cover of the expansion unit indicated in step 8. Find the position where you will be installing your removable media device.
- \_\_\_ 10. Write the number that appears in the *Phys* column for your device here:\_\_\_\_\_ . This number is the Device Position.
- \_\_\_ 11. Return to the *Hardware Service Manager* menu by pressing **F3** once.
- \_\_\_ 12. At the *Hardware Service Manager* display, select the **Device Concurrent Maintenance** option.  
Press the Enter key.
- \_\_\_ 13. At the *Specify either Physical Location or Resource Name* field type:
  - a. The number you determined in step 8 for Frame ID.
  - b. The physical location you determined in step 10 for Position.
- \_\_\_ 14. Pull out the removable media filler bezel from the location in which you are installing the new device.
- \_\_\_ 15. **Attention:** Removable media devices are fragile. Handle with care.  
**Be sure to use the wrist strap provided.** Place one end of the wrist strap around your wrist and connect the opposite end to the expansion unit.
- \_\_\_ 16. Find the package that contains the new removable media assembly and remove it from the static-protective package.

- \_\_\_ 17. Hold the device with the blue button in the upper right for tape units or lower right for CDs.

**Note:** Support the bottom of the removable media device as you install it into the expansion unit. Do not hold the removable media device by the blue handle.

- \_\_\_ 18. Pull the blue handles out toward you before you install the removable media device into the expansion unit.
- \_\_\_ 19. Refer to Figure 3 and support the bottom of the removable media device as you slide it half way into the selected position. Do not push it any further.
- \_\_\_ 20. At the *Specify action as* field, select option **Install device**.
- \_\_\_ 21. At the *Enter a time value between 00 and 19* field, type **01** for one minute.
- \_\_\_ 22. Press the Enter key.

**Note:** Watch the light on the right side of the removable media devices. When the light comes on and begins to blink rapidly, you have nine seconds to slide the removable media device into place.

- \_\_\_ 23. When the light starts blinking, slide the removable media device in until it seats properly. Push both blue handles in at the same time to lock the removable media device into place.

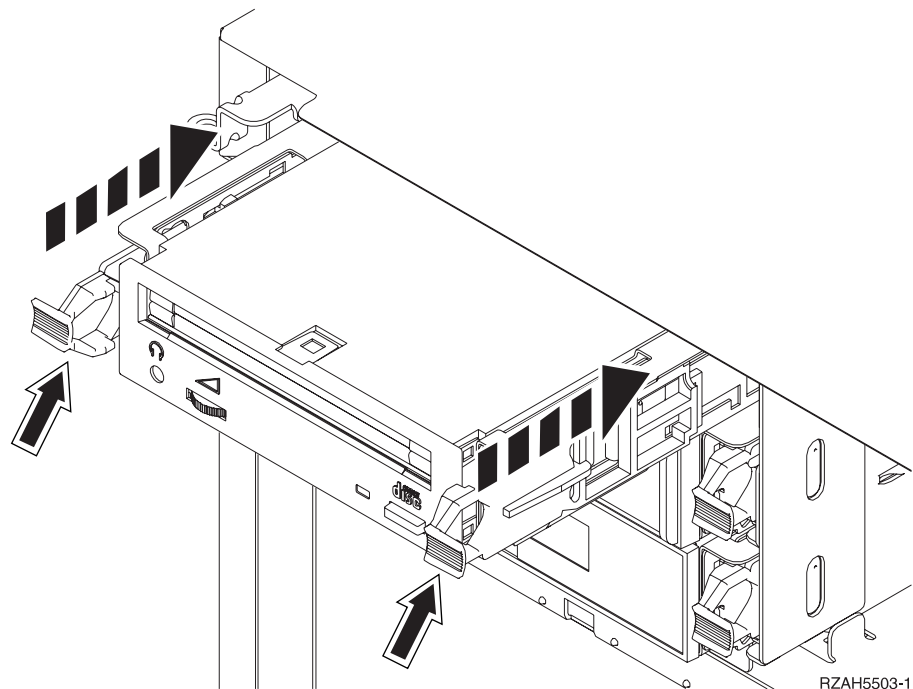


Figure 3. Installing removable media device

- \_\_\_ 24. The green light will stop blinking and remain on solid when you properly installed the removable media device.
- \_\_\_ 25. Return to the console and wait until the *Concurrent Maintenance Results* display appears.  
Press the Enter key.
- \_\_\_ 26. When the *Hardware Service Manager* menu appears, select the **Packaging hardware resources (system, frames, cards...)** option.  
Press the Enter key.

- \_\_\_ 27. On the *Packaging Hardware Resources* menu, enter a **9** in the *Opt* column next to the expansion unit with the new removable media device.
- \_\_\_ 28. The *Description* and *Device Type-Model* will be displayed along with the position where your new removable media was installed.
- \_\_\_ 29. At the *Hardware Service Manager* display, press **F6** to print the configuration list if you have a printer. You or a service representative may refer to the configuration list in the future.
- \_\_\_ 30. Install the front cover for the expansion unit.
- \_\_\_ 31. Press **F12** twice and press the Enter key to return to the AS/400 Main menu.

## NonConcurrent procedure (system-unit powered off)

- \_\_\_ 1. If you have installed logical partitions on your system-unit, refer to the AS/400 Information Center. At the AS/400 Information Center you can find instructions on powering down a system with logical partitions.
- \_\_\_ 2. Ensure that all jobs are complete.
- \_\_\_ 3. When all jobs are complete, type on an AS/400 System Unit command line and press the Enter key:  

```
pwrdownsys *immed
```
- \_\_\_ 4. When you have completely powered down the system-unit, power off all PCs and devices, such as printers and displays, that are connected to the system-unit.
- \_\_\_ 5. Unplug any power cords, such as printers and displays, from electrical outlets.
- \_\_\_ 6. Unplug the power cord for the expansion unit from the electrical outlet.
- \_\_\_ 7. Use the latch that is shown at **A** to open the front cover (Figure 1 on page 2, 5074; Figure 2 on page 3, 5079).
- \_\_\_ 8. If needed, use the latch that is shown at **B** to remove the front cover (Figure 1 on page 2, 5074; Figure 2 on page 3, 5079).
- \_\_\_ 9. Attach the disposable wrist strap to prevent electrostatic discharge from damaging a device.

### Notes:

- a. The 2209 Disposable Wrist Strap is for static control. It will not increase nor decrease your risk of receiving electric shock when using or working on electrical equipment. Follow the same precautions you would use without the wrist strap.
- b. If the disposable wrist strap appears damaged, discard the wrist strap immediately and contact your dealer for a replacement. Do not continue until a new wrist strap is available.
- c. When you unroll the wrist strap, remove the liner from the copper foil at the end.
- d. Attach the copper foil to an **exposed, unpainted** metal surface on the frame of the Expansion Unit (electrical ground).
- \_\_\_ 10. **Attention:** Removable media devices are fragile. Handle with care.  
**Be sure to use the wrist strap provided.** Place one end of the wrist strap around your wrist and connect the opposite end to your system-unit.
- \_\_\_ 11. Pull out the removable media filler bezel.
- \_\_\_ 12. Find the package that contains the new device and remove it from the static-protective package.

- \_\_\_ 13. Hold the device upright and pull both blue handles on both sides of the device toward you.
- \_\_\_ 14. Refer to Figure 4 and align the device with the next available slot.
- \_\_\_ 15. Hold the device with the blue button in the upper right for tape units or lower right for CDs.

**Note:** Support the bottom of the removable media device assembly as you slide it into place. Do not hold the device by the blue handles.

- \_\_\_ 16. Slide it into the expansion unit until it **stops**.
- \_\_\_ 17. Push both blue handles in at the same time to lock the removable media device into place.

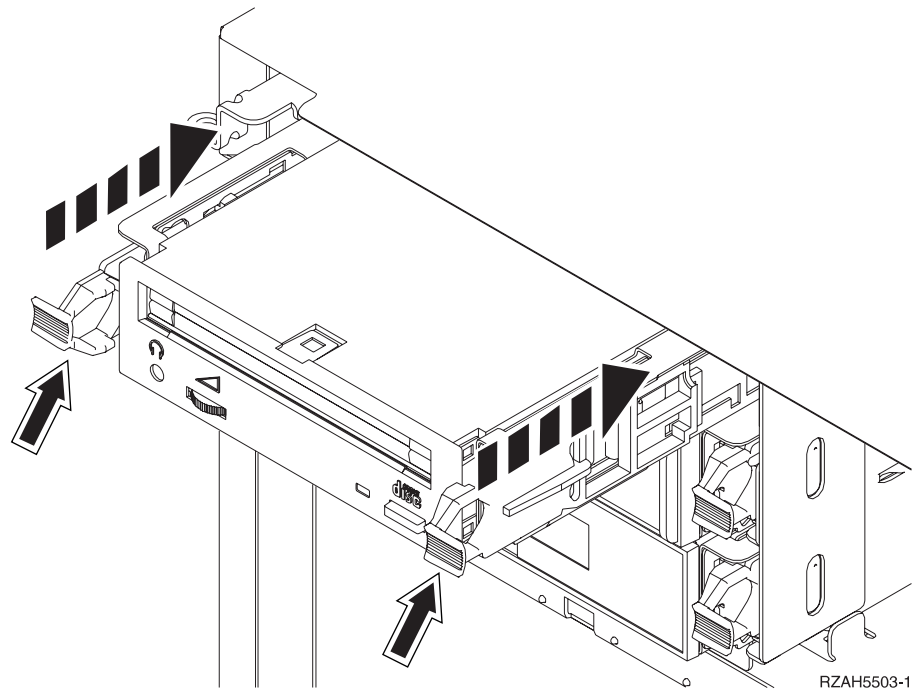


Figure 4. Installing removable media

- \_\_\_ 18. Do you have any other devices to install?

No      Yes

↓

If you have another device such as a tape unit or a CD-ROM drive, refer to the instructions that came with that device.

- \_\_\_ 19. Install the front cover on the expansion unit.

#### **DANGER**

**An electrical outlet that is not correctly wired could place hazardous voltage on metal parts of the system or the products that attach to the system. It is the customer's responsibility to ensure that the outlet is correctly wired and grounded to prevent an electrical shock. (RSFTD201)**

- \_\_\_ 20. Plug the following power cords into an electrical outlet.
  - Expansion unit

- System-unit console
  - Printers and displays
- \_\_ 21. Plug in and power on all attached devices, such as printers and displays.
- \_\_ 22. Look at the Function/Data display on the control panel.
- \_\_ 23. Does **01 B V=S** appear in the Function/Data display?
- |            |           |
|------------|-----------|
| <b>Yes</b> | <b>No</b> |
|------------|-----------|
- ↓ Do the following:
- \_\_ a. Press the Mode Select button until the Manual indicator (a small hand) lights up.
  - \_\_ b. Press the Increment/Decrement push button until **02** appears in the Function/Data display.
  - \_\_ c. Press the Enter push button on the control panel.
  - \_\_ d. Press the Increment/Decrement push button until **B** appears in the Function/Data display.
  - \_\_ e. Press the Enter push button on the control panel.
  - \_\_ f. Press the Increment/Decrement push button until **S** appears in the Function/Data display
  - \_\_ g. Press the Mode Select button until the Normal indicator (**OK**) lights up.
  - \_\_ h. Press the Increment/Decrement push button until **01** appears in the Function/Data display.
  - \_\_ i. Press the Enter push button on the control panel.
- 01 B S** should appear in the Function/Data display.
- \_\_ 24. Power on the workstation or PC that is console for your system.
- \_\_ 25. Press the power button to power on your AS/400 system unit.
- \_\_ 26. Sign on the AS/400 system-unit. Ensure that you have service tools authority.
- \_\_ 27. Do the following to verify your removable media device configuration:
- \_\_ a. On an AS/400 command line, type: **STRSST**. Press the Enter key.
  - \_\_ b. When the *System Service Tools (SST)* menu appears, select the **Start a service tool** option.  
Press the Enter key.
  - \_\_ c. When the *Start a Service Tool* menu appears, select the **Hardware service manager** option.  
Press the Enter key.
  - \_\_ d. When the *Hardware Service Manager* menu appears, select the **Packaging hardware resources (system, frames, cards...)** option.  
Press the Enter key.
  - \_\_ e. On the *Packaging Hardware Resources* menu, enter a **9** in the *Opt* column next to the expansion unit with the new removable media device.
  - \_\_ f. The *Description* and *Device Type-Model* will be displayed along with the position where your new removable media was installed.
  - \_\_ g. Press **F3** once to return to the *Hardware Service Manager*.
  - \_\_ h. If you have a printer, print the configuration list.

**Note:** To print the hardware resources list, press F6 twice.

- i. Press **F12** twice and press the Enter key to return to the AS/400 Main menu.





---

## Notices

This information was developed for products and services offered in the U.S.A. IBM may not offer the products, services, or features discussed in this document in other countries. Consult your local IBM representative for information on the products and services currently available in your area. Any reference to an IBM product, program, or service is not intended to state or imply that only that IBM product, program, or service may be used. Any functionally equivalent product, program, or service that does not infringe any IBM intellectual property right may be used instead. However, it is the user's responsibility to evaluate and verify the operation of any non-IBM product, program, or service.

IBM may have patents or pending patent applications covering subject matter described in this document. The furnishing of this document does not give you any license to these patents. You can send license inquiries, in writing, to:

IBM Director of Licensing  
IBM Corporation  
500 Columbus Avenue  
Thornwood, NY 10594  
U.S.A.

**The following paragraph does not apply to the United Kingdom or any other country where such provisions are inconsistent with local law:**

INTERNATIONAL BUSINESS MACHINES CORPORATION PROVIDES THIS PUBLICATION "AS IS" WITHOUT WARRANTY OF ANY KIND, EITHER EXPRESS OR IMPLIED, INCLUDING, BUT NOT LIMITED TO, THE IMPLIED WARRANTIES OF NON-INFRINGEMENT, MERCHANTABILITY OR FITNESS FOR A PARTICULAR PURPOSE. Some states do not allow disclaimer of express or implied warranties in certain transactions, therefore, this statement may not apply to you.

This information could include technical inaccuracies or typographical errors. Changes are periodically made to the information herein; these changes will be incorporated in new editions of the publication. IBM may make improvements and/or changes in the product(s) and/or the program(s) described in this publication at any time without notice.

Information concerning non-IBM products was obtained from the suppliers of those products, their published announcements or other publicly available sources. IBM has not tested those products and cannot confirm the accuracy of performance, compatibility or any other claims related to non-IBM products. Questions on the capabilities of non-IBM products should be addressed to the suppliers of those products.

The drawings and specifications contained herein shall not be reproduced in whole or in part without the written permission of IBM.

IBM has prepared this publication for use by customer personnel for operating and planning for the specific machines indicated. IBM makes no representations that it is suitable for any other purpose.



---

## Trademarks

The following terms are trademarks of International Business Machines Corporation in the United States, or other countries, or both:

Application System/400  
AS/400  
IBM  
Operating System/400  
OS/400  
400

Microsoft, Windows, Windows NT, and the windows 95 logo are trademarks or registered trademarks of Microsoft Corporation.

Other company, product, and service names may be trademarks or service marks of others.



---

# Readers' Comments — We'd Like to Hear from You

AS/400e  
Adding Removable  
Media to your  
5074 or 5079 Expansion Unit

Publication No. SENG-4425-00

Overall, how satisfied are you with the information in this book?

	Very Satisfied	Satisfied	Neutral	Dissatisfied	Very Dissatisfied
Overall satisfaction	<input type="checkbox"/>	<input type="checkbox"/>	<input type="checkbox"/>	<input type="checkbox"/>	<input type="checkbox"/>

How satisfied are you that the information in this book is:

	Very Satisfied	Satisfied	Neutral	Dissatisfied	Very Dissatisfied
Accurate	<input type="checkbox"/>	<input type="checkbox"/>	<input type="checkbox"/>	<input type="checkbox"/>	<input type="checkbox"/>
Complete	<input type="checkbox"/>	<input type="checkbox"/>	<input type="checkbox"/>	<input type="checkbox"/>	<input type="checkbox"/>
Easy to find	<input type="checkbox"/>	<input type="checkbox"/>	<input type="checkbox"/>	<input type="checkbox"/>	<input type="checkbox"/>
Easy to understand	<input type="checkbox"/>	<input type="checkbox"/>	<input type="checkbox"/>	<input type="checkbox"/>	<input type="checkbox"/>
Well organized	<input type="checkbox"/>	<input type="checkbox"/>	<input type="checkbox"/>	<input type="checkbox"/>	<input type="checkbox"/>
Applicable to your tasks	<input type="checkbox"/>	<input type="checkbox"/>	<input type="checkbox"/>	<input type="checkbox"/>	<input type="checkbox"/>

Please tell us how we can improve this book:

Thank you for your responses. May we contact you?  Yes  No

When you send comments to IBM, you grant IBM a nonexclusive right to use or distribute your comments in any way it believes appropriate without incurring any obligation to you.

\_\_\_\_\_  
Name

\_\_\_\_\_  
Address

\_\_\_\_\_  
Company or Organization

\_\_\_\_\_  
Phone No.



Fold and Tape

Please do not staple

Fold and Tape



NO POSTAGE  
NECESSARY  
IF MAILED IN THE  
UNITED STATES

# BUSINESS REPLY MAIL

FIRST-CLASS MAIL PERMIT NO. 40 ARMONK, NEW YORK

POSTAGE WILL BE PAID BY ADDRESSEE

IBM CORPORATION  
ATTN DEPT 542 IDCLERK  
3605 HWY 52 N  
ROCHESTER MN 55901-7829



Fold and Tape

Please do not staple

Fold and Tape





Printed in the United States of America  
on recycled paper containing 10%  
recovered post-consumer fiber.

SENG-4425-00

