

Tivoli[®] NetView[®] for OS/390[®]



Application Programmer's Guide

Version 1 Release 4

Tivoli[®] NetView[®] for OS/390[®]



Application Programmer's Guide

Version 1 Release 4

Tivoli NetView for OS/390 Application Programmer's Guide

Copyright Notice

© Copyright IBM Corporation 1997, 2001. All rights reserved. May only be used pursuant to a Tivoli Systems Software License Agreement, an IBM Software License Agreement, or Addendum for Tivoli Products to IBM Customer or License Agreement. No part of this publication may be reproduced, transmitted, transcribed, stored in a retrieval system, or translated into any computer language, in any form or by any means, electronic, mechanical, magnetic, optical, chemical, manual, or otherwise, without prior written permission of IBM Corporation. IBM Corporation grants you limited permission to make hardcopy or other reproductions of any machine-readable documentation for your own use, provided that each such reproduction shall carry the IBM Corporation copyright notice. No other rights under copyright are granted without prior written permission of IBM Corporation. The document is not intended for production and is furnished "as is" without warranty of any kind. **All warranties on this document are hereby disclaimed, including the warranties of merchantability and fitness for a particular purpose.**

U.S. Government Users Restricted Rights—Use, duplication or disclosure restricted by GSA ADP Schedule Contract with IBM Corporation.

Trademarks

IBM, the IBM logo, Tivoli, the Tivoli logo, BookManager, IBMLink, MVS/ESA, NetView, OS/390, System/390, TME, Tivoli Enterprise, VTAM, and z/OS are trademarks or registered trademarks of International Business Machines Corporation or Tivoli Systems, Inc. in the United States, other countries, or both.

Other company, product, and service names may be trademarks or service marks of others.

Notices

References in this publication to Tivoli Systems or IBM products, programs, or services do not imply that they will be available in all countries in which Tivoli Systems or IBM operates. Any reference to these products, programs, or services is not intended to imply that only Tivoli Systems or IBM products, programs, or services can be used. Subject to valid intellectual property or other legally protectable right of Tivoli Systems or IBM, any functionally equivalent product, program, or service can be used instead of the referenced product, program, or service. The evaluation and verification of operation in conjunction with other products, except those expressly designated by Tivoli Systems or IBM, are the responsibility of the user. Tivoli Systems or IBM may have patents or pending patent applications covering subject matter in this document. The furnishing of this document does not give you any license to these patents. You can send license inquiries, in writing, to the IBM Director of Licensing, IBM Corporation, North Castle Drive, Armonk, New York 10504-1785, U.S.A.

Programming Interfaces

This publication documents intended Programming Interfaces that allow the customer to write programs to obtain services of Tivoli NetView for OS/390.

Contents

Preface	vii
Who Should Read This Document	vii
Prerequisite and Related Documents	vii
What This Document Contains	vii
Conventions Used in This Document	viii
Platform-Specific Information	ix
Terminology	ix
Reading Syntax Diagrams	x
Required Syntax	x
Optional Keywords and Variables	x
Default Values	xi
Long Syntax Diagrams	xi
Syntax Fragments	xi
Commas and Parentheses.	xii
Highlighting, Brackets, and Braces	xiii
Abbreviations	xiii
Accessing Publications Online	xiv
Ordering Publications	xiv
Providing Feedback about Publications	xiv
Contacting Customer Support	xiv
Chapter 1. Understanding the NetView Program-to-Program Interface	1
How the Interface Works	1
Processing Requests	2
Creating Buffer Queues	3
Sending an NMVT or CP-MSU Formatted Alert	3
Sending a Data Buffer Synchronously	4
Receiving a Data Buffer Synchronously	4
How the Interface Works with Applications	5
High-Level Language Programs	5
Assembler Programs	6
Register Conventions	6
Program Placement	6
Chapter 2. Using High-Level Languages and Assembler to Send Requests	7
Enabling the Interface for MVS	7
Receiving Alerts	8
Routing Alerts to Multiple Receivers.	8
Building the Request Buffer.	9
Using the RPB	9
Fields in the RPB	10
Choosing the Request Type	14
Request Type 1: Query the PPI Status	15
Request Type 2: Query a Receiver's Status	16
Request Type 3: Obtain the ASCB and TCB Addresses	17
Request Type 4: Define and Initialize a Receiver	18
Request Type 9: Deactivate a Receiver	20
Request Type 10: Delete a Receiver	21
Request Type 12: Send an NMVT or CP-MSU Formatted Alert to the NetView Program	22
Request Type 14: Send a Data Buffer to a Receiver Synchronously	24
Request Type 22: Receive a Data Buffer	26
Request Type 23: Purge a Data Buffer	28

Request Type 24: Wait for the Receive or Connect ECB.	30
Chapter 3. Using REXX to Send Requests	31
DSIPHONE	31
Parameters	32
DSIPHONE Usage Notes	33
MLWTO Attributes Support	33
DSIPHONE Results	33
Chapter 4. Using the NetView LU 6.2 Transport APIs	37
NetView MS Transport API	37
MDS Function	37
MS Transport Restrictions	37
NetView High Performance Transport API	37
Differences between Transports.	37
High Performance Transport Restrictions	38
Deciding Which Transport API to Use	38
When to Use the NetView MS Transport API	38
When to Use the NetView High Performance Transport API	39
Considerations for Applications	39
Send-Receive Interface	39
Tasking Structure	40
MDS Transactions.	40
Chapter 5. Management Services Applications	43
Registration Services	43
Session Outage Notification	43
REGISTER Command	44
Send Macro	44
Destination Name	44
Restrictions	45
Receive Macro	45
Implementing the Application	45
NetView Operator	45
NetView System Programmer	46
Non-NetView System Programmer.	47
Chapter 6. Operations Management Served Applications	51
Registration Service	51
Buffering Replies	51
Session Outage Notification	52
REGISTER Command	52
Send Macro	52
Destination Name	52
Restrictions	53
Receive Macro	53
Implementing the Application	53
NetView Operator	54
NetView System Programmer	54
Non-NetView System Programmer.	54
Operations Management Routing Considerations	54
Chapter 7. NetView High Performance Transport API.	57
Registration Service	57
Send Service	58
Get Data Facility	58

Implementing High Performance Transport API Applications	59
NetView System Programmer	59
Non-NetView System Programmer.	60
Maintaining Data Integrity	61
Chapter 8. Programming Techniques	63
Writing Effective Programs	63
High-Level Language and Assembler Programming Examples	63
Initializing a Receiver	64
Receiving a Buffer	64
Sending a Buffer Synchronously	65
Disconnecting a Receiver	65
REXX Programming Examples	65
Usage Scenario	65
Common Operations Services Commands	66
COS Command Flow	67
Message to Operator	68
Using COS Command Lists	68
Chapter 9. Using the Trace Facility.	71
Using the Interface Facility	71
Controlling the Trace Facility	71
Writing to Internal Storage.	71
Writing to External Storage with GTF.	72
Monitoring the Trace Facility	72
Appendix A. Data Formats for LU 6.2 Conversations	73
MDS Header Structure	73
MDS Routing Information (X'1311') GDS Variable	74
Agent Unit of Work Correlator (X'1549') GDS Variable	76
Accepting an MDS-MU	77
MDS-MU Example	77
MDS Data Types	77
CP-MSU Format	78
Routing Report Format	79
NMVT Format	79
R&TI Format.	79
MDS Error Message Format	80
MDS Error Message Example	81
Application Program-Level Error Reporting.	82
Appendix B. Program-to-Program Interface Return Codes.	83
Appendix C. Network Asset Management	85
Vital Product Data Descriptions	85
Answering Node Configuration Data	85
Product Data (Subvectors X'10' and X'11')	86
DCE Data for Modems (Subvector X'50')	88
DCE Data for DSUs/CSUs (Subvector X'50')	89
Link Configuration Data (Subvector X'52')	90
Sense Data (Subvector X'7D')	91
Attached Device Configuration Data (Subvector X'82')	91
Product Set Attributes (Subvector X'84').	92
Additional Product Set Attributes (Subvector X'86').	92
Network Asset Management Command Lists	93
Using the Sample Command Lists.	93

Writing Command Lists	93
Network Asset Management Record Formats.	93
Appendix D. External Log Record Formats	99
External Log Record Type 37	99
External Log Record Type 38	107
NetView Command Authorization Table External Log Record	108
NetView Task Resource-Utilization-Data External Log Record	108
NetView Span Authorization Table External Log Record	108
Record Header and Section Formats	109
External Log Record Type 39	120
Record Subtypes	121
Record Section Formats	123
Index	135

Preface

This document is written for programmers working with Tivoli® NetView® for OS/390® (NetView) and other related products. It is intended to:

- Help you effectively use the NetView LU 6.2 transport application programming interfaces (APIs).
- Help you write programs that send network management vector transport (NMVT) and control point management service unit (CP-MSU) formatted alerts to the hardware monitor for processing. It also enables you to write programs that send data buffers to, or receive data buffers from, other application programs.
- Help you use common operations services (COS) commands, and COS command lists.

Who Should Read This Document

This book is intended for system programmers and application programmers. It describes how to write programs that pass NMVT or CP-MSU formatted alerts to the NetView hardware monitor for processing. Before using this book, application programmers should be familiar with the Systems Network Architecture (SNA) requirements in *Systems Network Architecture Formats* and in *SNA/Management Services Alert Implementation Guide*.

Prerequisite and Related Documents

To read about the new functions offered in this release, refer to the *Tivoli NetView for OS/390 Planning Document*.

You can find additional product information on these Internet sites:

Table 1. Uniform Resource Locator (URL)

IBM®	http://www.ibm.com/
Tivoli Systems	http://www.tivoli.com/
Tivoli NetView for OS/390	http://www.tivoli.com/nv390

The Tivoli NetView for OS/390 home page offers demonstrations of NetView, related products, and several free NetView applications you can download. These applications can help you with tasks such as:

- Getting statistics for your automation table and merging the statistics with a listing of the automation table
- Displaying the status of a JES job or cancelling a specified JES job
- Sending alerts to NetView using the program-to-program interface (PPI)
- Sending and receiving MVS commands using the PPI
- Sending TSO commands and receiving responses
- Making NetView Graphic Monitor Facility views more usable

What This Document Contains

The *Tivoli NetView for OS/390 Application Programmer's Guide* is divided into the following chapters:

Preface

- “Chapter 1. Understanding the NetView Program-to-Program Interface” on page 1 provides an overview of the program-to-program interface.
- “Chapter 2. Using High-Level Languages and Assembler to Send Requests” on page 7 describes the basic functions your program can perform and explains how to set up the program-to-program interface.
- “Chapter 3. Using REXX to Send Requests” on page 31 provides information on DSIPHONE which is a REXX external subroutine that enables you to send and receive data across the NetView Program-to-Program Interface (PPI).
- “Chapter 4. Using the NetView LU 6.2 Transport APIs” on page 37 describes what you need to know to use the NetView LU 6.2 transport APIs within and outside the NetView program.
- “Chapter 5. Management Services Applications” on page 43 describes the management services (MS) transport API and the differences between it and the NetView high performance transport API.
- “Chapter 6. Operations Management Served Applications” on page 51 describes the operations management served applications and the three interfaces available to enable a served application to achieve operations management communication.
- “Chapter 7. NetView High Performance Transport API” on page 57 describes the use of the NetView high performance transport API.
- “Chapter 8. Programming Techniques” on page 63 provides operating system-specific programming techniques and operating-system transferable pseudocode examples for using the program-to-program interface. It also describes how to use COS commands and command lists.
- “Chapter 9. Using the Trace Facility” on page 71 describes how to use the program-to-program interface trace facility and the generalized trace facility to monitor and control the program-to-program interface.

These appendixes provide additional information:

- “Appendix A. Data Formats for LU 6.2 Conversations” on page 73 describes the format of the data types used by the MS transport and the high performance transport in LU 6.2 conversations.
- “Appendix B. Program-to-Program Interface Return Codes” on page 83 describes the return codes generated by the program-to-program interface.
- “Appendix C. Network Asset Management” on page 85 provides information about the vital product data (VPD) returned from the VPDCMD command and the record formats used by the network asset management command lists.
- “Appendix D. External Log Record Formats” on page 99 provides the log record formats that the hardware monitor and the session monitor use to write to external logs. This appendix also includes the command authorization table record format.

The index refers to major topics in this book.

Conventions Used in This Document

The document uses several typeface conventions for special terms and actions. These conventions have the following meaning:

- | | |
|----------------|--|
| Bold | Commands, keywords, flags, and other information that you must use literally appear like this , in bold . |
| <i>Italics</i> | Variables and new terms appear like <i>this</i> , in <i>italics</i> . Words and phrases that are emphasized also appear like <i>this</i> , in <i>italics</i> . |

Monospace Code examples, output, and system messages appear like this, in a monospace font.

ALL CAPS Tivoli NetView for OS/390 commands are in ALL CAPITAL letters.

Platform-Specific Information

For more information about the hardware and software requirements for NetView components, refer to the *Tivoli Netview for OS/390 Licensed Program Specification*.

Terminology

For a list of Tivoli NetView for OS/390 terms and definitions, refer to <http://www.networking.ibm.com/nsg/nsgmain.htm>.

For brevity and readability, the following terms are used in this document:

NetView

- Tivoli NetView for OS/390 Version 1 Release 4
- Tivoli NetView for OS/390 Version 1 Release 3
- TME[®] 10 NetView for OS/390 Version 1 Release 2
- TME 10 NetView for OS/390 Version 1 Release 1
- IBM NetView for MVS Version 3
- IBM NetView for MVS Version 2 Release 4
- IBM NetView Version 2 Release 3

MVS MVS/ESA[™], OS/390, or z/OS operating systems.

Tivoli Enterprise[™] software

Tivoli software that manages large business networks.

Tivoli environment

The Tivoli applications, based upon the Tivoli Management Framework, that are installed at a specific customer location and that address network computing management issues across many platforms. In a Tivoli environment, a system administrator can distribute software, manage user configurations, change access privileges, automate operations, monitor resources, and schedule jobs. You may have used TME 10 environment in the past.

TME 10

In most product names, TME 10 has been changed to Tivoli.

V and R

Specifies the version and release.

VTAM[®] and TCP/IP

VTAM and TCP/IP for OS/390 are included in the IBM Communications Server for OS/390 element of the OS/390 operating system. Refer to <http://www.software.ibm.com/enetwork/commserver/about/csos390.html>.

Unless otherwise indicated, references to programs indicate the latest version and release of the programs. If only a version is indicated, the reference is to all releases within that version.

When a reference is made about using a personal computer or workstation, any programmable workstation can be used.

Reading Syntax Diagrams

Syntax diagrams start with double arrowheads on the left (▶▶) and move along the main line until they end with two arrowheads facing each other (◀◀).

As shown in the following table, syntax diagrams use **position** to indicate the required, optional, and default values for keywords, variables, and operands.

Table 2. How the Position of Syntax Diagram Elements Is Used

Element Position	Meaning
On the command line	Required
Above the command line	Default
Below the command line	Optional

Required Syntax

The command name, required keywords, variables, and operands are always on the main syntax line. Figure 1 specifies that the *resname* variable must be used for the CCPLOADF command.

CCPLOADF

▶▶—CCPLOADF *resname*————▶▶

Figure 1. Required Syntax Elements

Keywords and operands are written in uppercase letters. Lowercase letters indicate variables such as values or names that you supply. In Figure 2, MEMBER is an operand and *membername* is a variable that defines the name of the data set member for that operand.

TRANSMMSG

▶▶—TRANSMMSG MEMBER=*membername*————▶▶

Figure 2. Syntax for Variables

Optional Keywords and Variables

Optional keywords, variables, and operands are below the main syntax line. Figure 3 specifies that the ID operand can be used for the DISPREG command, but is not required.

DISPREG

▶▶—DISPREG ———▶▶
 └ ID=*resname* ─┘

Figure 3. Optional Syntax Elements

Default Values

Default values are above the main syntax line. If the default is a keyword, it appears only above the main line. You can specify this keyword or allow it to default.

If an operand has a default value, the operand appears both above and below the main line. A value below the main line indicates that if you choose to specify the operand, you must also specify either the default value or another value shown. If you do not specify an operand, the default value above the main line is used.

Figure 4 shows the default keyword STEP above the main line and the rest of the optional keywords below the main line. It also shows the default values for operands MODNAME=* and OPTION=* above and below the main line.

RID

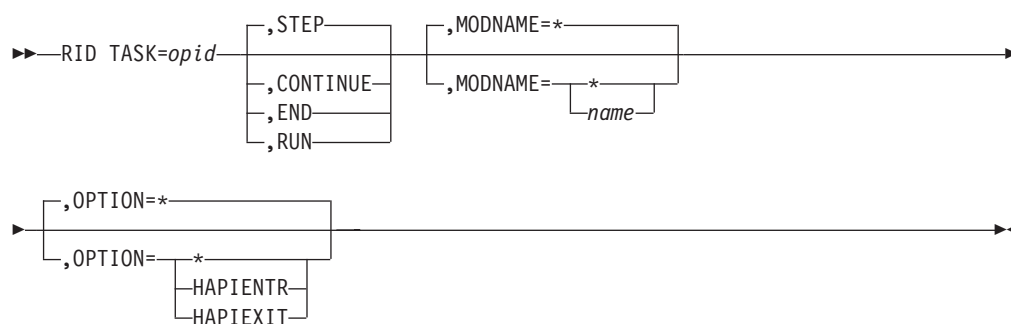


Figure 4. Sample of Defaults Syntax

Long Syntax Diagrams

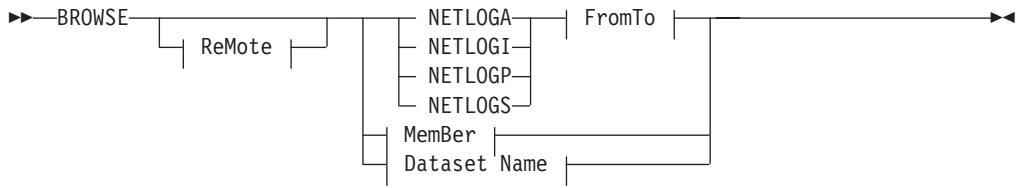
When more than one line is needed for a syntax diagram, the continued lines end with a single arrowhead (▶). The following lines begin with a single arrowhead (▶), as shown in Figure 4.

Syntax Fragments

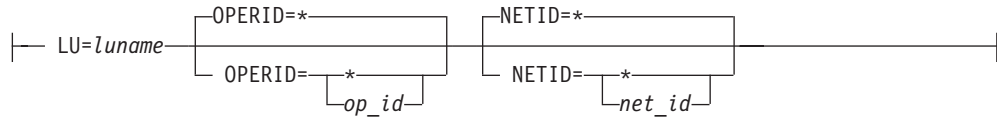
Commands that contain lengthy groups or a section that is used more than once in a command are shown as separate fragments following the main diagram. The fragment name is shown in mixed case. See Figure 5 on page xii for a syntax with the fragments ReMote and FromTo.

Preface

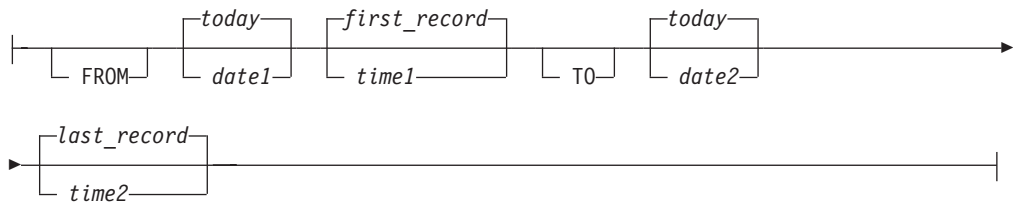
BROWSE



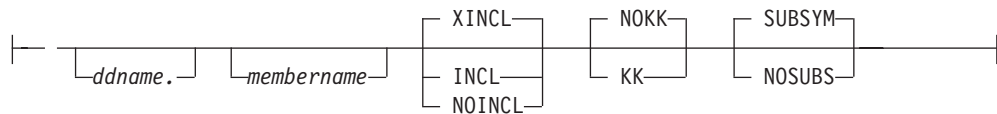
ReMote:



FromTo:



MemBer:



Dataset Name:



Figure 5. Sample Syntax Diagram with Fragments

Commas and Parentheses

Required commas and parentheses are included in the syntax diagram. When an operand has more than one value, the values are typically enclosed in parentheses and separated by commas. In Figure 6 on page xiii, the OP operand, for example, contains commas to indicate that you can specify multiple values for the *testop* variable.

CSCF



PurgeBefore



Pu

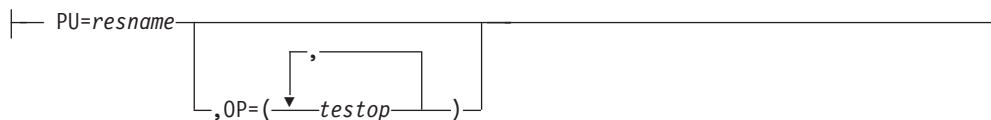


Figure 6. Sample Syntax Diagram with Commas

If a command requires positional commas to separate keywords and variables, the commas are shown before the keyword or variable, as in Figure 4 on page xi.

For example, to specify the BOSESS command with the *sessid* variable, enter:
 NCCF BOSESS applid,,sessid

You do not need to specify the trailing positional commas. Positional and non-positional trailing commas either are ignored or cause the command to be rejected. Restrictions for each command state whether trailing commas cause the command to be rejected.

Highlighting, Brackets, and Braces

Syntax diagrams do not rely on highlighting, underscoring, brackets, or braces; variables are shown italicized in hardcopy or in a differentiating color for NetView help and BookManager® online books.

In parameter descriptions, the appearance of syntax elements in a diagram immediately tells you the type of element. See Table 3 for the appearance of syntax elements.

Table 3. Syntax Elements Examples

This element...	Looks like this...
Keyword	CCLOADF
Variable	<i>resname</i>
Operand	MEMBER= <i>membername</i>
Default	<u>today</u> or INCL

Abbreviations

Command and keyword abbreviations are described in synonym tables after each command description.

Accessing Publications Online

The Tivoli Customer Support Web site (<http://www.tivoli.com/support/>) offers a guide to support services (the *Customer Support Handbook*); frequently asked questions (FAQs); and technical information, including release notes, user's guides, redbooks, and white papers. You can access Tivoli publications online at <http://www.tivoli.com/support/documents/>. The documentation for some products is available in PDF and HTML formats. Translated documents are also available for some products.

To access most of the documentation, you need an ID and a password. To obtain an ID for use on the support Web site, go to <http://www.tivoli.com/support/getting/>.

Resellers should refer to <http://www.tivoli.com/support/smb/index.html> for more information about obtaining Tivoli technical documentation and support.

Business Partners should refer to "Ordering Publications" for more information about obtaining Tivoli technical documentation.

Note: Additional support is also available on the NETVIEW CFORUM (Customer Forum) through the IBMLink™ system. This forum is monitored by NetView developers who answer questions and provide guidance. When a problem with the code is found, you are asked to open an official problem management record (PMR) to get resolution.

Ordering Publications

Order Tivoli publications online at http://www.tivoli.com/support/Prodman/html/pub_order.html or by calling one of the following telephone numbers:

- U.S. customers: (800) 879-2755
- Canadian customers: (800) 426-4968

Providing Feedback about Publications

We are very interested in hearing about your experience with Tivoli products and documentation, and we welcome your suggestions for improvements. If you have comments or suggestions about our products and documentation, contact us in one of the following ways:

- Send e-mail to pubs@tivoli.com.
- Fill out our customer feedback survey at <http://www.tivoli.com/support/survey/>.

Contacting Customer Support

The *Tivoli Customer Support Handbook* at <http://www.tivoli.com/support/handbook/> provides information about all aspects of Tivoli Customer Support, including the following:

- Registration and eligibility
- How to contact support, depending on the severity of your problem
- Telephone numbers and e-mail addresses, depending on the country you are in
- What information you should gather before contacting support

Chapter 1. Understanding the NetView Program-to-Program Interface

The program-to-program interface (PPI) runs as part of the Tivoli NetView for OS/390 (NetView) subsystem address space. When an application calls the program-to-program interface in MVS, the request is performed synchronously.

This chapter describes:

- The functions of the program-to-program interface
- How applications pass requests to the program-to-program interface

This chapter does not describe how to build network management vector transport (NMVT) or control point management service unit (CP-MSU) vectors.

Reference: Application programmers should be familiar with the SNA requirements in the following publications:

- *Systems Network Architecture Formats*
- *SNA/Management Services Alert Implementation Guide*

Note: Before you use the program-to-program interface, see “Chapter 8. Programming Techniques” on page 63.

How the Interface Works

The program-to-program (PPI) interface enables application programs to send NMVT or CP-MSU formatted alerts to the NetView program and enables application programs to send data buffers to, or receive data buffers from, other application programs that are running in the same host as the NetView program. An application program can send, receive, or do both.

The NetView program receives NMVT or CP-MSU formatted alerts and processes them in the order of first in, first out. The NMVT or CP-MSU formatted alerts are processed by the NetView hardware monitor, which provides functions such as:

- Filtering alerts
- Displaying alerts on the Alerts-Dynamic panel
- Logging the alerts in the hardware monitor database
- Forwarding the alerts to a focal point NetView program

Alerts and resolution vectors can also be processed by the NetView automation table.

Figure 7 on page 2 shows examples of the following operations of the PPI:

- Program A sending an NMVT or CP-MSU formatted alert to the NetView program
- The NetView program receiving an NMVT or CP-MSU formatted alert from its buffer queue
- Programs B and W sending data buffers to Program Z
- Program Z receiving a data buffer from its buffer queue

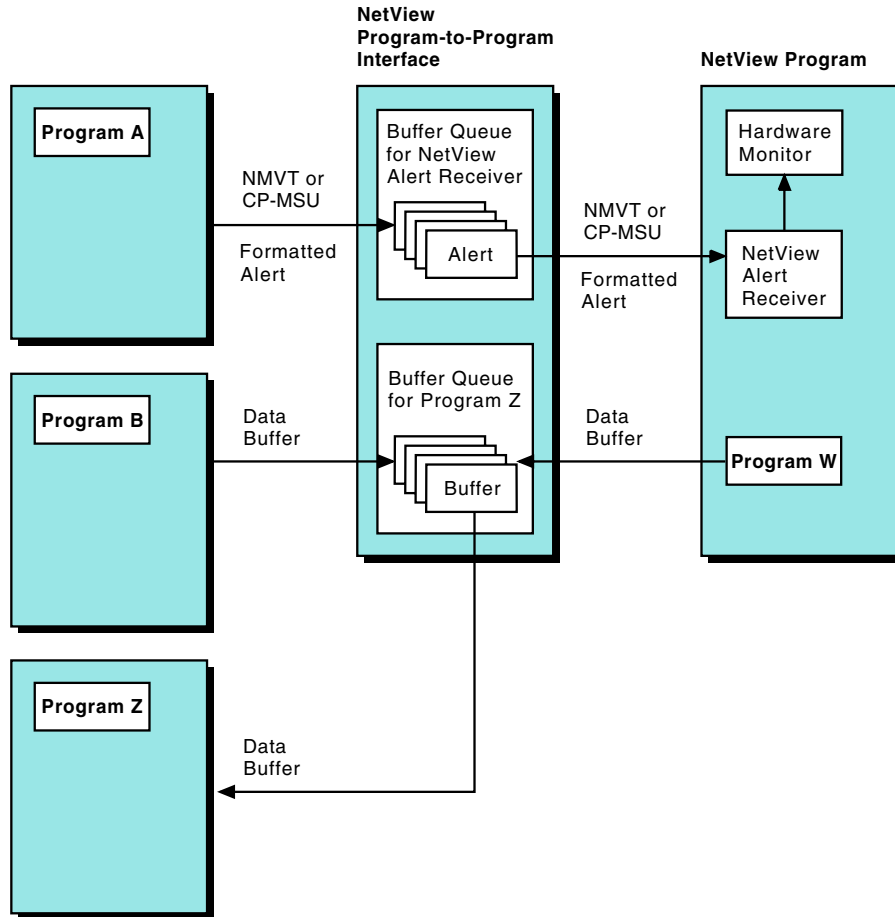


Figure 7. Example of the Program-to-Program Interface

Processing Requests

The PPI performs basic tasks called **requests**. Each program you write can contain a series of requests. The PPI processes each request and generates a return code to indicate the status of the request.

Your program uses a request parameter buffer (RPB) to send a request to the PPI which uses the same RPB to send data back to your program. See "Building the Request Buffer" on page 9 for more information about buffer creation.

The request types available for use with the PPI for MVS are listed in Table 4.

Table 4. Program-to-Program Interface Request Types for MVS

Request Type	Description
1	Query the status of the PPI.
2	Query the status of a receiver program.
3	Obtain the address space control block (ASCB) and task control block (TCB) addresses of the receiver.
4	Define and initialize a receiver.
9	Deactivate a receiver.

Table 4. Program-to-Program Interface Request Types for MVS (continued)

Request Type	Description
10	Delete a receiver.
12	Send an NMVT or CP-MSU formatted alert to the NetView program.
14	Send a data buffer to a receiver program synchronously.
22	Receive a data buffer from the buffer queue.
23	Purge a data buffer from the buffer queue.
24	Wait for the receive or connect event control block (ECB) to be posted by the PPI.

Creating Buffer Queues

Each receiver program, including the NetView alert receiver (NETVALRT), has a *buffer queue* for temporarily storing incoming data buffers. These buffer queues reside in the PPI. A sender program sends a data buffer to a receiver buffer queue, and the receiver program retrieves the data buffer from the buffer queue.

When you define a program as a receiver (see “Request Type 4: Define and Initialize a Receiver” on page 18), you also define the *buffer queue limit*. The buffer queue limit is the maximum number of outstanding buffers that can be stored in the receiver buffer queue. When the receiver buffer queue is full, sender programs receive a return code of 35 when they attempt to send a buffer to the receiver buffer queue.

Buffers are also queued for a receiver that becomes inactive. For example, if the NetView alert receiver task, CNMVALRT, becomes inactive, its incoming buffers are stored until CNMVALRT becomes active again.

The PPI allocates storage for a data buffer as the data buffer arrives in the buffer queue.

Sending an NMVT or CP-MSU Formatted Alert

Each program you write contains one or more requests. For example, Figure 8 shows Program A sending an NMVT or CP-MSU formatted alert to the NetView program. Program A is using:

- Request type 1 to query the PPI status. This is an optional request.
- Request type 12 to send the NMVT or CP-MSU formatted alert.

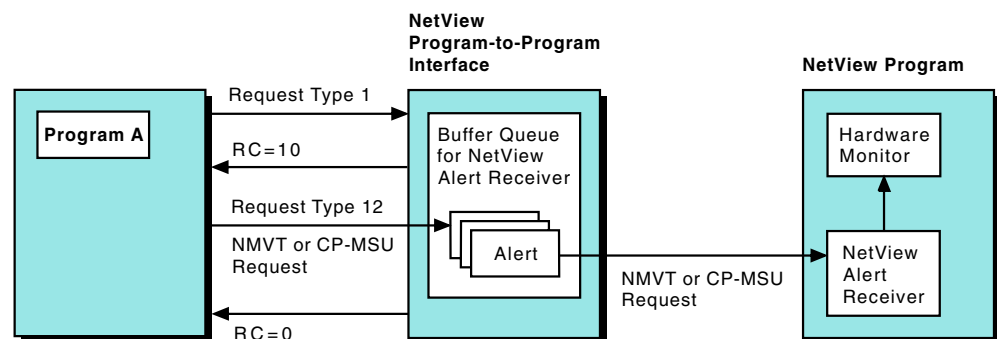


Figure 8. Overview of Sending an NMVT or CP-MSU Formatted Alert

The NetView distribution tape provides examples of programs that send an NMVT or CP-MSU formatted alert. See sample CNMSHM09 for assembler, sample CNMS4227 for C, and sample CNMS4257 for PL/I.

Sending a Data Buffer Synchronously

Figure 9 shows Program B synchronously sending a data buffer to the buffer queue for Program Z. Program B is using:

- Request type 1 to query the PPI status. This is an optional request.
- Request type 2 to query the status of Program Z. This is an optional request.
- Request type 14 to send the data buffer.

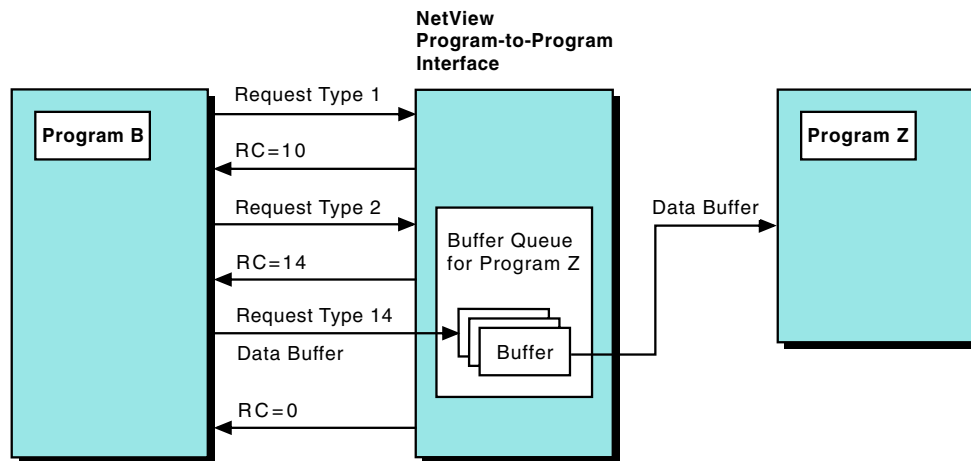


Figure 9. Overview of Sending a Data Buffer Synchronously

The NetView distribution tape provides examples of programs that send a data buffer. See sample CNMS4288 for assembler and sample CNMS4228 for PL/I.

Receiving a Data Buffer Synchronously

Figure 10 on page 5 shows Program Z receiving a data buffer from the Program Z buffer queue. Program Z is using:

- Request type 1 to query the PPI status. This is an optional request.
- Request type 3 to obtain the ASCB and TCB addresses. This is an optional request.
- Request type 4 to define itself as a receiver. The PPI returns the receiver ECB address.
- Request type 22 to retrieve a data buffer from the buffer queue.
- Request type 9 to deactivate the receiver.

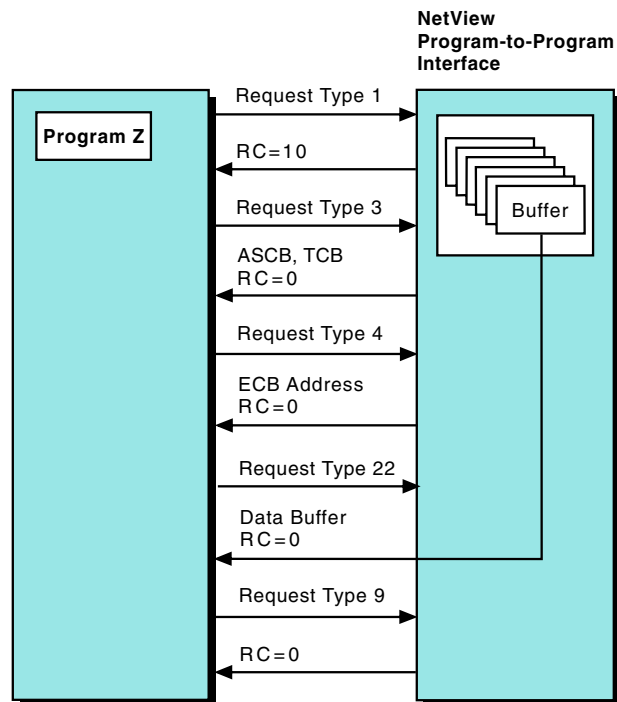


Figure 10. Overview of Receiving a Data Buffer Synchronously

The NetView distribution tape provides examples of programs, other than REXX, that receive a data buffer. See sample CNMS4289 for assembler and sample CNMS4229 for PL/I. For a REXX example, see “REXX Programming Examples” on page 65.

How the Interface Works with Applications

This section applies to applications written in languages other than REXX. For REXX programs, you can use DSIPHONE to access the program-to-program interface. For information on coding DSIPHONE, see “Chapter 3. Using REXX to Send Requests” on page 31.

Each program you write must use the CALL statement to pass your requests to the CNMNETV module in the NetView subsystem. Control is returned to your program immediately following the CALL statement. The CALL statement invokes the CNMNETV module and passes the request parameter buffer.

The CNMNETV module runs in 31-bit addressing mode only for MVS. Set the high-order byte correctly for all addresses so that they are valid for 31-bit addressing mode. Addresses should be passed in registers 1, 13, 14, and 15.

High-Level Language Programs

The following is an example of the CALL statement for high-level languages, such as PL/I and C, where *rpb* is the name of the request parameter buffer.

```
CALL CNMNETV (rpb)
```

For high-level language programs, you can link-edit the CNMNETV module during the link-edit step.

Assembler Programs

You can code the CALL statement in assembler in either of two ways:

- You can use the module name.

The following is an example of using CNMNETV in the CALL statement in assembler, where *rpb* is the name of the request parameter buffer.

```
CALL CNMNETV, (rpb)
```

- You can use the address of the module.

In the following example, *rpb* is the name of the request parameter buffer, and *nn* is the register that contains the address of the CNMNETV module.

```
CALL (nn), (rpb)
```

For assembler programs, you can use the LOAD macro to load the CNMNETV module into memory and then branch and link to the module. You can also link-edit the CNMNETV module. For more information about coding the CALL statement in assembler, refer to the **MVS/ESA** library.

Register Conventions

Programs written in high-level programming languages, such as C and PL/I, and programs written in assembler can use the CALL interface if they support the following register conventions expected by the CNMNETV module:

- | | |
|--------------------|--|
| Register 1 | Points to a memory location that contains the address of the request parameter buffer. |
| Register 13 | Contains the address for the calling program's 72-byte save area. |
| Register 14 | Contains the return address for the calling program. |
| Register 15 | Contains the entry address for the CNMNETV module. |

Program Placement

NetView application programs and other user programs running in any address space, virtual machine ID, or partition can pass NMVT or CP-MSU formatted alerts to the NetView hardware monitor for processing.

Additionally, a user program can send data buffers to (or receive data buffers from) another user program running in any address space, virtual machine ID, or partition.

Note: Programs sending NMVT or CP-MSU formatted alerts to the NetView program and sending and receiving data buffers need to reside in the host system that is processing the NetView program.

Chapter 2. Using High-Level Languages and Assembler to Send Requests

This chapter contains instructions for enabling the PPI. This chapter also describes the request parameter buffer fields and return codes associated with each request type.

Enabling the Interface for MVS

For the Tivoli NetView program to receive NMVT or CP-MSU formatted alerts, enable the PPI as follows:

1. Initialize the NetView subsystem address space. Refer to the *Tivoli NetView for OS/390 Installation: Getting Started* for more information.
2. Ensure that the NetView subsystem address space has a specified region size large enough to hold the user data buffers that might be queued or stored in the subsystem address space. The required storage depends on how many receivers exist in the NetView subsystem address space. To estimate the required storage:
 - a. Determine the storage required for each receiver, using the following formula:
$$\text{Average buffer size (bytes)} \times \text{buffer queue limit (number of buffers)}$$
 - b. Add the storage requirements for all the receivers to get an estimate of the total storage required, in bytes.

Some of the Tivoli NetView for OS/390 functions using the PPI can require larger buffer queue lengths for the NetView and VTAM PPI receivers. Refer to the storage estimating information in the *Tivoli NetView for OS/390 Tuning Guide* to determine storage requirements.

3. Review the NetView start-up procedure before you start the PPI, to determine how the NetView subsystem address space is used. Refer to the *Tivoli NetView for OS/390 Installation: Getting Started* for information about the MSGIFAC parameter.

When you use the PPI, the MSGIFAC value should be NOSSI and the PPIOPT value should be PPI. If you run the PPI and the SSI at the same time, use an MSGIFAC value other than NOSSI and a PPIOPT value of PPI.

For more information about the start-up procedure, refer to the *Tivoli NetView for OS/390 Installation: Getting Started*. See sample CNMSJ010 on the NetView distribution tape for an example of a NetView subsystem address space procedure.

4. Ensure that the PPI module resides in an MVS authorized program facility (APF) authorized library if the PPI module is to be executed as an APF-authorized program.
5. Enter the TRACEPPI command, if you want to enable the PPI trace facility. For more information about the PPI trace facility, see “Chapter 9. Using the Trace Facility” on page 71. See NetView on-line help for information about the TRACEPPI command.
6. Activate and enable the generalized trace facility (GTF) for PPI. For more information, see “Chapter 9. Using the Trace Facility” on page 71.

Attention: Unpredictable results can occur, including system abends and lost data if you stop the NetView Subsystem address space before you stop all applications that are using the space.

Receiving Alerts

If the alert receiver task is started and the NetView subsystem or the DSICRTR task is inactive, the alert receiver task issues messages CNM563I and DSI295I, and waits until both the NetView subsystem and the DSICRTR task are active. To enable the NetView program to receive NMVT or CP-MSU formatted alerts using the PPI, complete the following steps:

1. Ensure that the PPI is fully initialized. See “Enabling the Interface for MVS” on page 7.
2. Ensure that the NetView communication network management task (DSICRTR) is active.

- a. Issue the following command from the NetView command line to find the status of the DSICRTR task:

```
LIST DSICRTR
```

- b. Skip to step 3 if the status is ACTIVE.
- c. Issue the following command if the status is INACTIVE:

```
START TASK=DSICRTR
```

Note: If multiple NetView programs are active, start the DSICRTR task only in the NetView program that performs problem determination (the network management NetView program).

3. Ensure that the NetView alert receiver task (CNMCALRT) is defined to the NetView program and is started when the NetView program is started. If you are not using the PPI to send NMVT or CP-MSU formatted alerts, defining or starting the CNMCALRT task is not necessary.

- a. Issue the following command from the NetView command line to find the status of the CNMCALRT task:

```
LIST CNMCALRT
```

- b. If the status is ACTIVE, the NetView program can receive NMVT or CP-MSU formatted alerts and no further action is needed.
- c. Issue the following command if the status is INACTIVE and you are using the PPI to send NMVT or CP-MSU formatted alerts to the NetView program:

```
START TASK=CNMCALRT
```

Routing Alerts to Multiple Receivers

| To route an alert to more than one NetView system through the PPI, use the
| AlertRevName keyword in CNMSTYLE to set a different PPI alert receiver name on
| each NetView. The default is NETVALRT.

Use a request type 14 to send a data buffer to multiple alert receivers, specifying the proper receiver ID in the RPB. Figure 11 on page 9 shows how alerts are routed to multiple receivers. If you want to send an alert to multiple receivers, issue the send to each of the receivers.

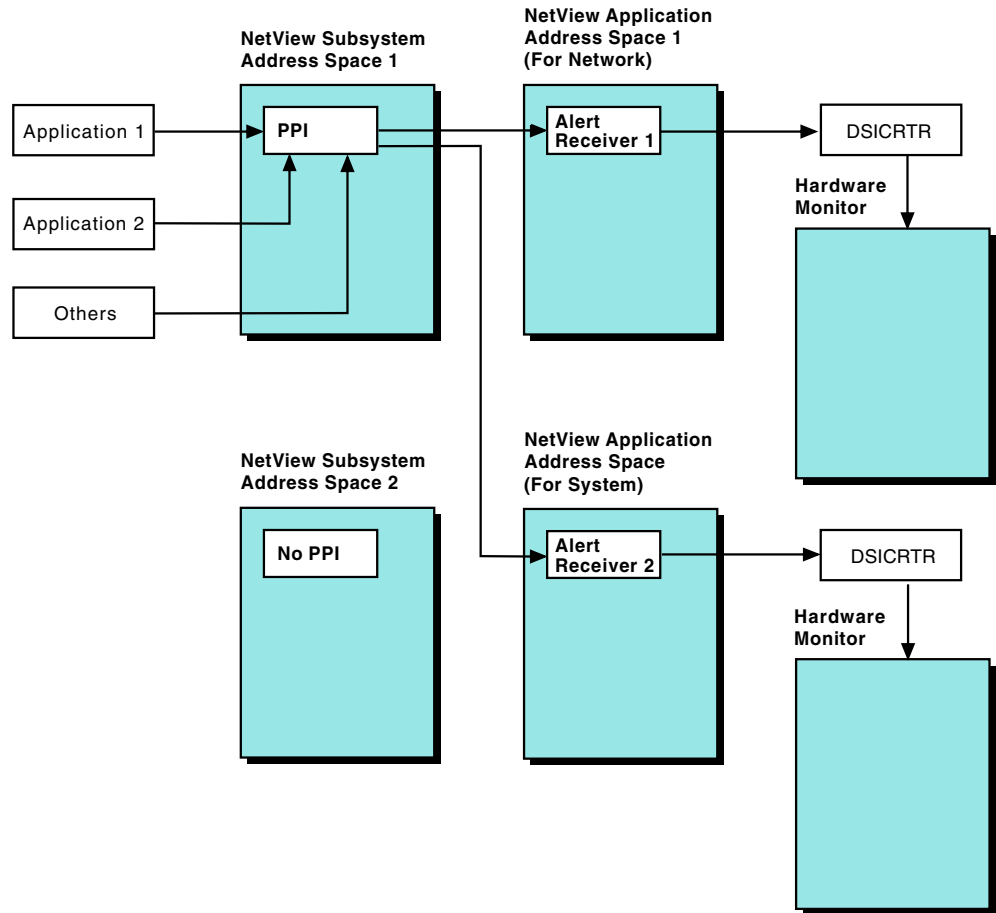


Figure 11. Sending Alerts to Multiple Receivers through the PPI

Building the Request Buffer

The request parameter buffer (RPB) is a 56-byte parameter list that you build for each request. Your program uses an RPB to send a request to the PPI, and the PPI uses the same RPB to return data to your program.

Using the RPB

The RPB fully describes your request by specifying items such as the request type and the receiver or sender identification. For example, if you want to send a data buffer to another user program, the RPB for your request type 14 contains the receiving program's identification, the sending program's identification, the length of the buffer you are sending, and the address to which the data buffer is sent.

In addition, the PPI uses fields in the RPB to return data to your program. For example, when you use a request type 4 to define your program as a receiver, the PPI returns the address of the receiver event control block (ECB) in the RPB. All return codes are also returned in the RPB.

Each request needs a RPB. For each RPB you build, use only those fields that apply to your request type. "Choosing the Request Type" on page 14 describes which fields are required for each request type.

Fields in the RPB

Table 5 lists the fields in the RPB. The Data Field names used in this table are for descriptive purposes only. You are not required to use these names in your RPB. The DTR Field name corresponds to the DSIDTR macro shipped as part of the NetView macro set.

Macro DSIDTR includes two labels that can be used to determine the lengths of either the 56 byte preV1R2 structure or the 96 byte structure (total length of the DTR including the new function fields). User application code not utilizing the new function can continue to use DTREND to calculate the length of the 56 byte RPB; users of new functions should use DTREND1 to calculate total RPB length of 96. Fields following offset 56 **MUST** be zeroed if not being initialized to valid pointer values to ensure Netview code does not try to access an invalid address. User code that employs DSIGET with the default option CLEAR=YES need not specifically zero these fields, however code that requires a GETMAIN for storage must be cautious of residual data in these fields.

Table 5. Request Parameter Buffer Fields

Bytes	Data Field	DTR Field	Description
0–3	RPB-LEN	DTRLEN	Length of the request parameter buffer; this field must be set to 56 the length of the fields being used.
4, 5	TYPE	DTRREQT	Request type; a 2-byte integer value, for example, 22. The request types are described under “Processing Requests” on page 2.
6, 7	RECOPT	DTRRECOP	Recovery option indicator, which can have one of the following values: 0 No recovery is requested. 1 ESTAE recovery is requested. The ESTAE program isolates the user from abends and protects the user program from abending. If an error occurs while a user program is using the PPI, the ESTAE routine traps the error and sets a return code that it passes to the user program, preventing an abend. These return codes are described in “Appendix B. Program-to-Program Interface Return Codes” on page 83. ESTAE recovery is not available if the user program is executing in cross-memory mode. For more information about the ESTAE routine, refer to the MVS/ESA library.
8–11	RETCODE	DTRRETC	4-byte processing return code returned by the PPI on every request type.
12–15	WORK-ADR	DTRWKPTR	Work storage address required by the NetView service module, CNMNETV. The work storage must be 128 bytes for MVS.

Table 5. Request Parameter Buffer Fields (continued)

Bytes	Data Field	DTR Field	Description
16–23	SENDER-ID	DTRSDID	<p>Sender identification; 8-character identifier of the sender program. The ID can contain alphabetic characters A–Z, numeric characters 0–9, and the following special characters: dollar sign (\$), percent sign (%), ampersand (&), at sign (@), and number sign (#). If the ID is not 8 characters long, it must be left-justified and padded with blanks on the right side.</p>
16–19	ASCB-ADR	DTRASCB	<p>Address space control block address; this is the ASCB address of the receiver program. The PPI returns this value on a request type 3.</p> <p>Some programming languages do not provide the mapping facilities for a receiver program to determine what to specify in the ASCB-ADR field. Therefore, the receiver program uses request type 3 to determine this field.</p> <p>If the address space with the specified ASCB-ADR ends, the receiver status is set to inactive.</p>
20–23	ECB-ADR	DTRECB	<p>Event control block address. The PPI returns this value on request types 4 and 22 when there are no buffers on the receiver's buffer queue.</p> <p>The PPI posts the receiver ECB when a data buffer is received in the receiver buffer queue. Your program can use a WAIT macro or a request type 24 to wait for the PPI to post this ECB. The post code is the lower 3 bytes of the ECB.</p> <p>When the NetView subsystem ends, the ECB is posted with a post code of 99.</p>
20–23	BUFFQ-L	DTRBQL	<p>Buffer queue limit; the maximum number of outstanding data buffers that can be accepted for a receiver. This limit is defined in a request type 4 when the receiver is activated. The limit can be changed by a request type 9 when the receiver is deactivated, or by another request type 4 for that receiver.</p> <p>A sender can send data buffers to an active or inactive receiver as long as the receiver buffer queue is not full. When the receiver buffer queue is full, a sender program receives a return code of 35 and the data buffer is not accepted.</p>

Table 5. Request Parameter Buffer Fields (continued)

Bytes	Data Field	DTR Field	Description
24–31	RECEIVER-ID	DTRRVID	An 8-character identifier of the receiver program. The ID can contain alphabetic characters A–Z, numeric characters 0–9, and the following special characters: dollar sign (\$), percent sign (%), ampersand (&), at sign (@), and number sign (#). If the ID is not 8 characters long, it must be left-justified and padded with blanks on the right side. The NETVxxxx IDs are reserved for NetView-related products. NETVALRT is the ID of the NetView alert receiver task.
32–35	BUFF-LEN	DTRUBL	<p>Buffer length; length of a data buffer or NMVT or CP-MSU formatted alert.</p> <p>For a request type 12 (sending an NMVT or CP-MSU formatted alert), sender programs use this field to specify the length of the NMVT or CP-MSU formatted alert.</p> <p>For a request type 14 (sending a data buffer), sender programs use this field to specify the length of the buffer.</p> <p>For a request type 22 (receiving an incoming data buffer), receiver programs use this field to specify the length of the buffer into which the incoming data buffer will be copied. If the value specified is not large enough, the return code from the request type 22 is 31. If the request type 22 is successful, the PPI uses this field to return the actual length of the incoming data buffer.</p>
32, 33	AUTH-IND	DTRAUTH	<p>Authorization indicator; specifies that a receiver accepts data buffers only from an APF-authorized receiver.</p> <p>Receiver programs use this field in a request type 4 (initializing the receiver). If this indicator is set to 1, the receiver program is defined as authorized, and a sender program must be APF-authorized to send data buffers to this receiver.</p>
34 (bit 0)	BUFFER-Q- FLAG	DTRBQFL	<p>Receiver's buffer queue flag. Set on request type 2 to indicate whether space is available on the receiver's buffer queue.</p> <p>0 No space on the queue 1 Space available on the queue</p>
36–39	BUFF-ADR	DTRUBPTR	Buffer address; data buffers are copied to (or from) this address. Both sender and receiver programs use this field.

Table 5. Request Parameter Buffer Fields (continued)

Bytes	Data Field	DTR Field	Description
36–39	TCB-ADR	DTRTCB	<p>Task control block address; the PPI returns this value on a request type 3.</p> <p>Some programming languages do not provide the mapping facilities for a receiver program to determine what to specify in the TCB-ADR field. Therefore, the receiver program uses request type 3 to determine this field.</p> <p>If the TCB with specified TCB-ADR ends, the receiver status is set to inactive.</p>
40–45			Not used for MVS.
46, 47	CKBTS	DTRCKBTS	Request indicators.
46 (bit 0)	EX-ACT	DTREACT	<p>Exclusive check for active receiver.</p> <p>The receiver program uses this field in request type 4 (see “Request Type 4: Define and Initialize a Receiver” on page 18 for more information). If this bit is on and the receiver program is already active, a value of 16 is returned in DTRRETC.</p>
46 (bit 1)	VER-CHECK	DTRVRCHK	<p>PPI version check.</p> <p>Your program uses this field with request type 1 to perform a PPI version check. The PPI returns a value in the DTRVERSN field indicating the functional level of the PPI.</p>
46 (bit 4)	MATCH-SENDER-ID	DTRRCVNM	If DTRSDNAM is not zero, receive or purge buffers only from the sender ID indicated by the DTRSDNAM token.
46 (bit 5)	MATCH-ASID	DTRRCVAT	If DTRSDAST is not zero, receive or purge buffers only from the address space indicated by the DTRSDAST token.
46 (bit 6)	MATCH-TCB	DTRRCVTT	If DTRSDTT is not zero, receive or purge buffers only from the task indicated by the DTRSDTT token.
48–51	PPI-VERSION	DTRVERSN	<p>PPI version.</p> <p>When the DTRVRCHK bit is set on for request type 1, the PPI returns the functional level in this field. The levels are:</p> <ul style="list-style-type: none"> 0 NetView V2R3 or earlier releases 1 NetView V2R4 to TME 10 NetView for OS/390 V1R1 2 Tivoli NetView for OS/390 V1R3
52–55	SAF-ADR	DTRSAFWK	Address of a 1024-byte work area required by a send request which needs to communicate its SAF ID to the receiver.
		DTREND	Label used to determine length of 56-byte structure.

Table 5. Request Parameter Buffer Fields (continued)

Bytes	Data Field	DTR Field	Description
56–63	SENDER-SAF-ID	DTRSAFID	Sender's SAF ID, for senders which supply DTRSAFWK - filled in by PPI on a receive request. Binary zeroes are returned if no SAF ID.
64–71	SENDER-NAME/ID	DTRSDNAM	Sender's PPI name, same as DTRSDID - filled in by PPI on a receive request. May be set by user prior to a PPI receive.
72–79	ASID-TOKEN	DTRSDAST	Address space token associated with the sender - filled in by PPI on a receive request. Can be set by user prior to a PPI receive.
80–95	TCB-TOKEN	DTRSDTT	Task token associated with the sender - filled in by PPI on a receive request. May be set by user prior to a PPI receive.
		DTREND1	End label of total 96-byte structure.

Choosing the Request Type

The request types are the building blocks of your programs. For each program you write, do the following:

1. Build the request parameter buffer (RPB) for each request you want to issue.
2. Build the NMVT or CP-MSU formatted alert or data buffers as appropriate.
3. Issue the CALL statement to pass each RPB and its associated NMVT or CP-MSU formatted alert or data buffer to the CNMNETV module.
4. Check the return code field in the RPB.

For a complete list of return codes generated by the PPI and their hexadecimal equivalents, see "Appendix B. Program-to-Program Interface Return Codes" on page 83. Return code 20 is not a valid request type.

The remainder of this section is a description of each request type for MVS, including the:

- RPB fields you specify in your program
- RPB fields that are returned by the PPI
- Return codes from the PPI

Request Type 1: Query the PPI Status

Request type 1 is used in both sender and receiver programs. The first request in any program you write should be a request type 1 to query the PPI status. If the PPI is not active, no requests are processed.

RPB Fields Specified in the Program

Bytes	Data Field	DTR Field
0–3	RPB-LEN	DTRLEN
4, 5	TYPE	DTRREQT
12–15	WORK-ADR	DTRWKPTR
46 (bit 1)	VER-CHECK	DTRVRCHK

RPB Fields Returned by the Program-to-Program Interface

Bytes	Data Field	DTR Field
8–11	RETCODE	DTRRETC
48–51	PPI-VERSION	DTRVERSN

Return Codes

Return Code	Description
10	The PPI is available to process user requests.
24	The PPI is not active.
28	An active subsystem interface address space was found, but an active PPI address space was not found.
90	A processing error has occurred.

Request Type 2: Query a Receiver's Status

Request type 2 is used in both sender and receiver programs. A request type 2 determines the status of the receiver you specify in the RPB. A receiver's status can be active, inactive, or undefined. You can send data buffers to an active or inactive receiver, as long as the receiver buffer queue is not full, but you cannot send data buffers to an undefined receiver.

RPB Fields Specified in the Program

Bytes	Data Field	DTR Field
0–3	RPB-LEN	DTRLEN
4, 5	TYPE	DTRREQT
12–15	WORK-ADR	DTRWKPTR
24–31	RECEIVER-ID	DTRRVID

RPB Fields Returned by the Program-to-Program Interface

Bytes	Data Field	DTR Field
8–11	RETCODE	DTRRETC
34 (bit 0)	BUFFER-Q-FLAG	DTRBQFL

Return Codes

Return Code	Description
14	The receiver program is active.
15	The receiver program is inactive.
22	The program issuing this request is not executing in primary addressing mode.
24	The PPI is not active.
26	The receiver program is not defined.
28	An active subsystem interface address space was found, but an active PPI address space was not found.
40	Receiver ID is not valid.
90	A processing error has occurred.

Usage Notes

- The RECEIVER-ID for the NetView alert receiver task is NETVALRT.
- You can use a request type 2 to query the status of this task.

Request Type 3: Obtain the ASCB and TCB Addresses

Request type 3 is used in receiver programs. When the request type 3 completes successfully, the NetView program returns the addresses of the ASCB and the TCB into the fields ASCB-ADR and TCB-ADR respectively.

The NetView program uses the ASCB-ADR like a password. When you define a receiver (request type 4), you must specify the ASCB-ADR. Any subsequent request to receive a data buffer (request type 22), to deactivate the receiver (request type 9), or to reset the buffer queue limit (request type 4) must include this ASCB-ADR. If the ASCB-ADR is not correct in a subsequent request, the NetView program does not process that request.

RPB Fields Specified in the Program

Bytes	Data Field	DTR Field
0–3	RPB-LEN	DTRLEN
4, 5	TYPE	DTRREQT
12–15	WORK-ADR	DTRWKPTR

RPB Fields Returned by the Program-to-Program Interface

Bytes	Data Field	DTR Field
8–11	RETCODE	DTRRETC
16–19	ASCB-ADR	DTRASCB
36–39	TCB-ADR	DTRTCB

Return Codes

Return Code	Description
0	The request completed successfully.
22	The program issuing this request is not executing in primary addressing mode.
24	The PPI is not active.
28	An active subsystem interface address space was found, but an active PPI address space was not found.

Usage Notes

Use request type 3 if your programming language does not provide the mapping facilities to determine the ASCB and TCB addresses.

Request Type 4: Define and Initialize a Receiver

Request type 4 defines your program as a receiver and sets its status to active. Use this request type to reset the buffer queue limit.

RPB Fields Specified in the Program

Bytes	Data Field	DTR Field
0–3	RPB-LEN	DTRLEN
4, 5	TYPE	DTRREQT
6, 7	RECOPT	DTRRECOPT
12–15	WORK-ADR	DTRWKPTR
16–19	ASCB-ADR	DTRASCB
20–23	BUFFQ-L	DTRBQL
24–31	RECEIVER-ID	DTRRVID
32, 33	AUTH-IND	DTRAUTH
36–39	TCB-ADR	DTRTCB
46 (bit 0)	EX-ACT	DTREACT

RPB Fields Returned by the Program-to-Program Interface

Bytes	Data Field	DTR Field
8–11	RETCODE	DTRRETC
20–23	ECB-ADR	DTRECB

Return Codes

Return Code	Description
0	The request completed successfully.
16	The receiver program is already active.
22	The program issuing this request is not executing in primary addressing mode.
24	The PPI is not active.
28	An active subsystem interface address space was found, but an active PPI address space was not found.
32	No NetView storage is available.
36	ESTAE recovery cannot be established as requested.
40	RECEIVER-ID is not valid.
90	A processing error has occurred.

Usage Notes

- The BUFFQ-L field specifies the maximum number of outstanding buffers that a receiver buffer queue can have in storage. You can also change the BUFFQ-L when the receiver is deactivated (request type 9).
- A change in buffer queue limit does not affect buffers already in the queue. That is, if the limit is decreased, buffers already in the queues are not lost. However, any new buffers that arrive for the receiver are rejected if any existing buffers have reached or exceeded the buffer queue limit.

- The ECB-ADR field contains the address of the receiver's 4-byte event control block (ECB). The address is returned by the PPI. The PPI posts the ECB to notify a receiver that a data buffer has arrived in the receiver buffer queue.
- Your program can use a WAIT macro to wait for the PPI to post the receiver ECB. If a WAIT macro is not available, your program can use a request type 24 to wait for the PPI to post the receiver ECB.
- The AUTH-IND field specifies that this receiver program accepts data buffers from APF-authorized programs only.
- You can adjust the buffer queue limit while the system is running by reissuing a request type 4 (define and initialize a receiver) with a different BUFFQ-L value. The receiver program, or any other program, can perform this adjustment if you specify all the RPB fields. The EX-ACT value must be zero. You receive return code 0 even though the receiver program is already active.
- When the EX-ACT field is set on, it specifies the performance of an exclusive check for an active receiver program. You receive return code 16 if the receiver program is already active.
- When the ECB post code is zero, data buffers are waiting to be processed by the receiver. When the post code is 99, the PPI is ending. The post code is located in the lower 3 bytes of the receiver ECB.
- ASCB-ADR is a required field for request type 4. ASCB-ADR must contain the address of a valid ASCB. All subsequent requests by the receiver program must include this same ASCB address. The PPI cannot verify the validity of the ASCB address. The receiver program must ensure that it submits a valid ASCB-ADR.
- If the ASCB-ADR field is 0, the receive ECB is not posted when the PPI receives a data buffer for that receiver, or when the PPI ends.

Request Type 9: Deactivate a Receiver

Request type 9 sets the receiver status to inactive. You can also reset the buffer queue limit when you deactivate the receiver.

RPB Fields Specified in the Program

Bytes	Data Field	DTR Field
0–3	RPB-LEN	DTRLEN
4, 5	TYPE	DTRREQT
6, 7	RECOPT	DTRRECOP
12–15	WORK-ADR	DTRWKPTR
16–19	ASCB-ADR	DTRASCB
20–23	BUFFQ-L	DTRBQL
24–31	RECEIVER-ID	DTRRVID

RPB Fields Returned by the Program-to-Program Interface

Bytes	Data Field	DTR Field
8–11	RETCODE	DTRRETC

Return Codes

Return Code	Description
0	The request completed successfully.
15	The receiver program is inactive.
22	The program issuing this request is not executing in primary addressing mode.
24	The PPI is not active.
25	The ASCB address is not correct.
26	The receiver program is not defined.
28	An active subsystem interface address space was found, but an active PPI address space was not found.
36	ESTAE recovery cannot be established as requested.
40	RECEIVER-ID is not valid.
90	A processing error has occurred.

Usage Notes

- Ensure that your program issues a request type 9 before it ends.
- If you do not set the buffer queue limit, it is automatically set to an unpredictable limit.
- The ASCB-ADR for this request must be the same as that specified for request type 4 for this receiver.

Request Type 10: Delete a Receiver

Request type 10 deletes an active receiver from the program-to-program interface and deletes the receiver's buffers from the buffer queue.

RPB Fields Specified in the Program

Bytes	Data Field	DTR Field
0–3	RPB-LEN	DTRLEN
4, 5	TYPE	DTRREQT
6, 7	RECOPT	DTRRECOP
12–15	WORK-ADR	DTRWKPTR
16–19	ASCB-ADR	DTRASCB
24–31	RECEIVER-ID	DTRRVID

RPB Fields Returned by the Program-to-Program Interface

Bytes	Data Field	DTR Field
8–11	RETCODE	DTRRETC

Return Codes

Return Code	Description
0	The request completed successfully.
15	The receiver program is inactive.
22	The program issuing this request is not executing in primary addressing mode.
24	The PPI is not active.
25	The ASCB address is not correct.
26	The receiver program is not defined.
28	An active subsystem interface address space was found, but an active PPI address space was not found.
36	ESTAE recovery cannot be established as requested.
40	RECEIVER-ID is not valid.
90	A processing error has occurred.

Usage Notes

The ASCB-ADR for this request must be the same as that specified in request type 4 for this receiver.

Request Type 12: Send an NMVT or CP-MSU Formatted Alert to the NetView Program

Request type 12 is used in sender programs. Request type 12 tells the program-to-program interface that the data buffer you are sending is an NMVT or CP-MSU formatted alert and that the receiver is the NetView alert receiver (NETVALRT). You do not need to specify a RECEIVER-ID in this RPB.

RPB Fields Specified in the Program

Bytes	Data Field	DTR Field
0–3	RPB-LEN	DTRLEN
4, 5	TYPE	DTRREQT
6, 7	RECOPT	DTRRECOP
12–15	WORK-ADR	DTRWKPTR
16–23	SENDER-ID	DTRSDID
32–35	BUFF-LEN	DTRUBL
36–39	BUFF-ADR	DTRUBPTR
52–55	SAF-ADR	DTRSAFWK

RPB Fields Returned by the Program-to-Program Interface

Bytes	Data Field	DTR Field
8–11	RETCODE	DTRRETC
56–63	SENDER-SAF-ID	DTRSAFID

Return Codes

Return Code	Description
0	The request completed successfully.
4	The specified receiver is not active. The PPI has received a copy of the NMVT or CP-MSU.
22	The program issuing this request is not executing in primary addressing mode.
24	The PPI is not active.
26	The receiver program task is not defined.
28	An active subsystem interface address space was found, but an active PPI address space was not found.
32	No NetView storage is available.
33	The buffer length is not valid.
35	The receiver buffer queue is full.
36	ESTAE recovery cannot be established as requested.
40	SENDER-ID is not valid.
90	A processing error has occurred.

Usage Notes

- An NMVT or CP-MSU formatted alert has no length restriction. An alert must include an NMVT or CP-MSU header.
- Control is returned to your program immediately after the NMVT or CP-MSU buffer is copied into the PPI.
- The PPI does not release the storage for the buffer. Your program must release this storage.
- The buffer queue limit for the NetView alert receiver is 1000 NMVT or CP-MSU formatted alerts. If this limit is exceeded, your buffer is not accepted. If you receive a return code of 22 or greater for the request type 12, the buffer has not been sent to the PPI.
- The SENDER-ID is used as the resource name on the hardware monitor Alerts-Dynamic panel. If the hardware monitor hierarchy/resource list subvector (X'05') exists in the NMVT or CP-MSU formatted alert buffer, the resource name specified in this subvector is used instead of the SENDER-ID as the resource name on the Alerts-Dynamic panel.

Request Type 14: Send a Data Buffer to a Receiver Synchronously

Request type 14 is used in sender programs. A request type 14 enables you to send a data buffer to the program you specify in the RECEIVER-ID field.

RPB Fields Specified in the Program

Bytes	Data Field	DTR Field
0–3	RPB-LEN	DTRLEN
4, 5	TYPE	DTRREQT
6, 7	RECOPT	DTRRECOPT
12–15	WORK-ADR	DTRWKPTR
16–23	SENDER-ID	DTRSDID
24–31	RECEIVER-ID	DTRRVID
32–35	BUFF-LEN	DTRUBL
36–39	BUFF-ADR	DTRUBPTR
52–55	SAF-ADR	DTRSAFWK

RPB Fields Returned by the Program-to-Program Interface

Bytes	Data Field	DTR Field
8–11	RETCODE	DTRRETC
56–63	SENDER-SAF-ID	DTRSAFID

Return Codes

Return Code	Description
0	The request completed successfully.
4	The specified receiver is not active. The PPI has received a copy of the data buffer.
22	The program issuing this request is not executing in primary addressing mode.
23	The sender program is not authorized.
24	The PPI is not active.
26	The receiver program is not defined.
28	An active subsystem interface address space was found, but an active PPI address space was not found.
32	NetView storage is not available.
33	The buffer length is not valid.
35	The receiver buffer queue is full.
36	ESTAE recovery cannot be established as requested.
40	SENDER-ID or RECEIVER-ID is not valid.
90	A processing error has occurred.

Usage Notes

- An NMVT formatted alert has no length restriction for NetView Version 2 Release 3 and later releases.

- Your program must be APF-authorized to send a data buffer to an authorized receiver. A receiver is defined as authorized by the AUTH-IND field for the request type 4 that initialized the receiver.
- Following the CALL, control is returned to your program immediately after the data buffer has been copied into the receiver buffer queue in the PPI.
- The NetView program does not release the storage for the user data buffer. Your program must release this storage.

Request Type 22: Receive a Data Buffer

Request type 22 is used in receiver programs. A request type 22 receives one data buffer from the receiver buffer queue.

RPB Fields Specified in the Program

Bytes	Data Field	DTR Field
0–3	RPB-LEN	DTRLEN
4, 5	TYPE	DTRREQT
6, 7	RECOPT	DTRRECOPT
12–15	WORK-ADR	DTRWKPTR
16–19	ASCB-ADR	DTRASCB
24–31	RECEIVER-ID	DTRRVID
32–35	BUFF-LEN	DTRUBL
36–39	BUFF-ADR	DTRUBPTR
46–47	CKBTS	DTRCKBTS
64–71	SENDER'S-NAME/ID	DTRSDNAM
72–79	ASID-TOKEN	DTRSDAST
80–95	TCB-TOKEN	DTRSDTT

RPB Fields Returned by the Program-to-Program Interface

Bytes	Data Field	DTR Field
8–11	RETCODE	DTRRETC
16–23 *	SENDER-ID	DTRSDID
20–23 *	ECB-ADR	DTRECB
32–35	BUFF-LEN	DTRUBL
56–63	SENDER-SAF-ID	DTRSAFID
64–71	SENDER'S-NAME/ID	DTRSDNAM
72–79	ASID-TOKEN	DTRSDAST
80–95	TCB-TOKEN	DTRSDTT

*One or the other of these fields can be returned, but not both.

Return Codes

Return Code	Description
0	The request completed successfully.
22	The program issuing this request is not executing in primary addressing mode.
24	The PPI is not active.
25	The ASCB address is not correct.
26	The receiver program is not defined.
28	An active subsystem interface address space was found, but an active PPI address space was not found.
30	Data buffer is not in the receiver buffer queue.

Return Code	Description
31	The receiver buffer is not large enough to receive the incoming data buffer.
33	The buffer length is not valid.
36	ESTAE recovery cannot be established as requested.
40	SENDER-ID or RECEIVER-ID is not valid.
90	A processing error has occurred.

Usage Notes

- A receiver can receive one data buffer at a time from the receiver buffer queue in the order of first in, first out (FIFO).
- If the request type 22 is successful, the PPI returns the identifier of the sending program in the SENDER-ID field.
- If the return code is 30, the receiver program can use a request type 24 or a WAIT function to wait until more data buffers are received in the receiver buffer queue. The PPI posts the receiver ECB when the next buffer is received into the receiver buffer queue.
- Ensure that the ASCB-ADR is the same as that specified in the request type 4 that defined this receiver.
- The PPI returns the length of the incoming buffer in the BUFF-LEN field. If the return code is 31, the receiver program should allocate a larger buffer and issue request type 22 again.
- Do not clear the ECBs returned from the PPI.
- The settings of CKBTS (Byte 46 bit 4, bit 5, and bit 6) determine how buffers should be received. PPI receives can be done in FIFO order or they can be done by the sender's name, sender's address space token, sender's task token, or any combination of the three. The DTRSDNAM, DTRSDASR, and DTRSDTT fields are filled in on each receive independent of the DTRCKBTS settings. If you set Byte 46 bit 4, bit 5, or bit 6, then you must store a value in the corresponding token field prior to a receive unless you want to use the values from a previous operation. If one or more of Byte 46 bits 4, 5, or 6 is set on a subsequent receive, the receive will only return data from senders whose tokens match those indicated by the flags and corresponding fields in the DTR.

Note: If the sender is running in SRB mode (as VTAM sometimes does), the DTRSDTT field will be set to binary zeros.

Request Type 23: Purge a Data Buffer

Request type 23 is used in receiver programs. A request type 23 enables you to purge a data buffer from the buffer queue.

RPB Fields Specified in the Program

Bytes	Data Field	DTR Field
0–3	RPB-LEN	DTRLEN
4, 5	TYPE	DTRREQT
6, 7	RECOPT	DTRRECOP
12–15	WORK-ADR	DTRWKPTR
16–19	ASCB-ADR	DTRASCB
24–31	RECEIVER-ID	DTRRVID
46–47	CKBTS	DTRCKBTS
64–71	SENDER'S-NAME/ID	DTRSDNAM
72–79	ASID-TOKEN	DTRSDAST
80–95	TCB-TOKEN	DTRSDTT

RPB Fields Returned by the Program-to-Program Interface

Bytes	Data Field	DTR Field
8–11	RETCODE	DTRRETC

Return Codes

Return Code	Description
0	The request completed successfully.
22	The program issuing this request is not executing in primary addressing mode.
24	The PPI is not active.
25	The ASCB address is not correct.
26	The receiver program is not defined.
28	An active subsystem interface address space was found, but an active PPI address space was not found.
30	Data buffer is not in the receiver buffer queue.
36	ESTAE recovery cannot be established as requested.
90	A processing error has occurred.

Usage Notes

- The ASCB-ADR for this request must be the same as that specified in the request type 4 that defined this receiver.
- The settings of CKBTS (Byte 46 bit 4, bit 5, and bit 6) determine how buffers should be purged. PPI purges can be done in FIFO order or they can be done by the sender's name, sender's address space token, sender's task token, or any combination of the three. The DTRSDNAM, DTRSDASR, and DTRSDTT fields are filled in on each purge independent of the DTRCKBTS settings. If you set Byte 46 bit 4, bit 5, or bit 6, then you must store a value in the corresponding token field prior to a purge unless you want to use the values from a previous

operation. If one or more of Byte 46 bits 4, 5, or 6 is set on a subsequent purge, the purge will only purge data from senders whose tokens match those indicated by the flags and corresponding fields in the DTR.

Request Type 24: Wait for the Receive or Connect ECB

Request type 24 is used in receiver programs returning from the program-to-program interface. A request type 24 functions as a wait macro. Use this request if your programming language does not provide a WAIT function and you want your receiver program to wait for the NetView program to post the receiver ECB.

RPB Fields Specified in the Program

Bytes	Data Field	DTR Field
0–3	RPB-LEN	DTRLEN
4, 5	TYPE	DTRREQT
12–15	WORK-ADR	DTRWKPTR
20–23	ECB-ADR	DTRECB

RPB Fields Returned by the Program-to-Program Interface

Bytes	Data Field	DTR Field
8–11	RETCODE	DTRRETC

Return Codes

Return Code	Description
0	The request completed successfully.
18	The receiver ECB is not zero.
22	The program issuing this request is not executing in primary addressing mode.
24	The PPI is not active.
28	An active subsystem interface address space was found, but an active PPI address space was not found.
90	A processing error has occurred.

Usage Notes

- Use this request type only if your programming language does not have the ability to wait on an ECB.
- The NetView program returns the ECB-ADR on the request type 4 that initializes the receiver.
- You can use request type 24 after you receive a return code 30 in response to a request type 22, indicating that your receiver program has received all available data buffers. At that point, your receiver can end or wait for the PPI to post the receiver ECB. The PPI posts the receiver ECB when the next data buffer is received into the receiver buffer queue. You can receive the data buffer using a request type 22.
- For MVS systems, results are unpredictable if the NetView subsystem address space ends while your program is using a request type 24. The post might not occur.
- Applications using this request type running as a NetView application should be run under a NetView optional task. If the application is run under a NetView OST/AOST/PPT task, DOM buffers might accumulate causing an out-of-storage condition before the PPI wait is satisfied.

Chapter 3. Using REXX to Send Requests

DSIPHONE is a REXX external subroutine that enables you to send and receive data across the NetView PPI.

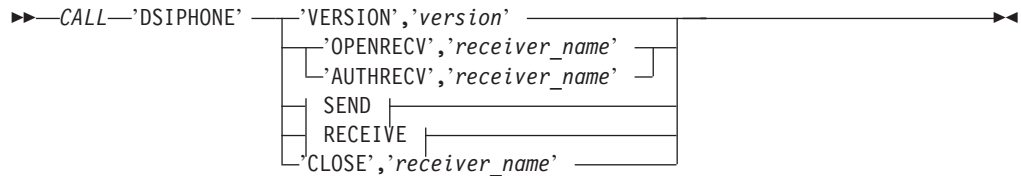
This function enables any OS/390 application (capable of running REXX) to open, close, send data to, or receive data from a PPI receiver. For a coding example that defines a server and client application, see “REXX Programming Examples” on page 65.

DSIPHONE is invoked as a subroutine or function, and it requires parameters. It cannot be used in NetView (use the PPI pipe stage instead).

Following is the format for DSIPHONE.

DSIPHONE

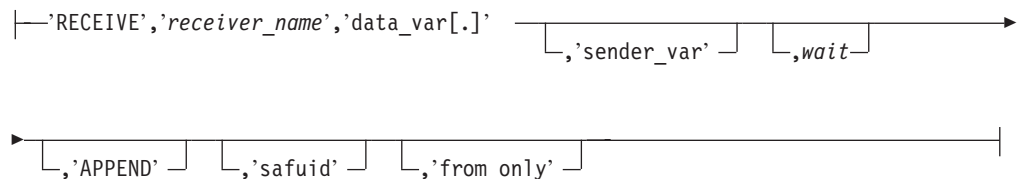
DSIPHONE



SEND:



RECEIVE:



Notes:

1. Quotation marks are optional around the routine name, DSIPHONE, although they are recommended. The absence of quotation marks means REXX will attempt to resolve the routine call internally first.
2. If you do not specify a positional parameter, you must indicate its absence by specifying a comma in its place.

REXX resolves values of variables passed as parameters and passes those values to DSIPHONE. If the variable has not been defined, the name of the variable is passed as the value. If the parameter is enclosed in quotation marks, the literal value of that parameter is passed.

Parameters

VERSION

Return DSIPHONE version information in a REXX variable.

version

The name of a REXX variable into which the DSIPHONE version text string is to be stored.

OPENRECV

Send a request to the PPI to define a new receiver.

AUTHRECV

Send a request to the PPI to define a new receiver that accepts data only from an APF-authorized sender.

SEND

Send data to a PPI receiver.

RECEIVE

Receive a data buffer from a PPI sender.

CLOSE

Send a request to the PPI to close a receiver.

receiver_name

Name of a PPI receiver to which a SEND or RECEIVE request is directed.

sender_name

The originator of a PPI SEND request. This can be the name of the PPI receiver that the sender defined to receive responses. This can be useful when used in conjunction with the *from_only* parameter for client/server applications with multiple clients.

data_var[.]

The name of a REXX variable [or stem] containing data either to be sent to a PPI receiver with a SEND request or to be received from a RECEIVE request. The presence of a period at the end of the name indicates to DSIPHONE that the name is a stem. A period elsewhere in the name indicates a stem element or a compound variable and is treated as a regular variable.

sender_var

The name of a REXX variable into which the sender's PPI receiver name is to be stored.

wait

A numeric value indicating the time (in seconds) to wait for a RECEIVE call to be completed. By default, there is no time limit and DSIPHONE will wait indefinitely on a receive call. Any positive value specified for WAIT on a receive call results in a timeout (rc=25) if data does not arrive on the PPI receiver within the specified time. If a WAIT value of 0 is specified and no data is queued to the specified receiver, then DSIPHONE ends with PPI RECEIVE failed (rc=13).

APPEND

Specifies that DSIPHONE is to append to an existing stem. The default is that

DSIPHONE will create a new stem or replace an existing one. If APPEND is specified for a stem that does not exist or has no elements, APPEND is, effectively, ignored.

safuid

The name of a REXX variable into which the SAF userid associated with the data being received is to be stored. The SAF userid is that of the original sender of the data.

from_only

A value specified here restricts the RECEIVE to data sent by programs with this sender name.

DSIPHONE Usage Notes

| When a REXX program running in TSO calls DSIPHONE to register a PPI receiver,
| that receiver remains active only until the program completes. This occurs because
| TSO drives an end-of-memory routine when the program completes. When the PPI
| detects this, it marks the receiver inactive.

MLWTO Attributes Support

When sending a stem, default MLWTO attributes are applied to each element of the stem. By building a *dollar* stem, users of DSIPHONE can control MLWTO attribute specification.

When receiving data from the PPI, a *dollar* variable or stem will automatically be defined by DSIPHONE to contain the MLWTO attributes currently applying to that data. MLWTO attributes control the line type (control, label, data, or end), color, intensity, and highlighting applied to each line of a message.

A *dollar* variable or stem corresponds to the name of the variable or stem containing the actual data, prepended with \$. A *dollar* variable or stem is a string of data containing blank delimited two-byte specifications, such as CR (Color Red), HR (Highlight Reverse), and TD (line Type Data). Specifications that are not valid are ignored, and the last of multiply-occurring attributes is used. For example, if an attribute string contained 'TD CB CR', the CR color attribute would be assumed.

In the following example:

```
$myvar = 'TD CR HR'  
myvar = 'A line of text'
```

The text in myvar displays as a red, reversed line when sent across the PPI and received by NetView.

For more information about MLWTO attributes, refer to *Tivoli NetView for OS/390 Customization: Using Pipes* and *Tivoli NetView for OS/390 Customization: Using Assembler*.

DSIPHONE Results

| Because DSIPHONE is a REXX external routine, the result of a REXX call to
| DSIPHONE is contained in the REXX-defined variable, result. If the DSIPHONE
| external function itself has a non-zero completion code, the REXX language
| processor indicates an 'incorrect call to routine' return string.

DSIPHONE generates a return string in the REXX variable result, which can be parsed as follows:

```
parse var result phoneCode diagnostic ', rc = ' reasonCode
```

In this case, the REXX variable phoneCode is a 4-byte positive integer that is left-padded with blanks. If applicable, the REXX variable reasonCode is the return code from an unsuccessful program call by DSIPHONE internally. The REXX variable diagnostic describes the error or the unsuccessful function call or both.

An appropriate REXX coding scenario for handling the DSIPHONE result string is:

```
call 'DSIPHONE' .....
parse var result phoneCode diagMsg ', rc = ' reasonCode
if phoneCode <> 0 then
do
  msg = 'DSIPHONE returned' phoneCode'.'
  if reasonCode ^= " then
    msg = msg'; PPI return code =' reasonCode
  say msg
  say diagMsg
end
```

The following table lists the return codes generated by DSIPHONE requests.

Table 6. DSIPHONE Return Codes

nnnn	Text Associated with nnnn	Description
0	(blank)	The call to DSIPHONE completed successfully.
1	DSIPHONE called without arguments	DSIPHONE was called without any parameters.
3	Too many parameters for this request type	More parameters were passed to DSIPHONE than expected for the given request type. For example, only one parameter is expected on the VERSION call.
4	Too few parameters for this request type	Fewer parameters were passed to DSIPHONE than expected for the given request type. For example, at least two parameters are expected on the SEND call.
5	Invalid request type	The first parameter passed to NetView was not one of the valid request types (VERSION, SEND, RECEIVE, OPENRECV, AUTHRECV, CLOSE).
6	REXX stem or variable name too long	The name specified for the variable or stem name exceeds 250 bytes.
7	REXX variable <i>operation</i> failed, rc =	The REXX command processor reported an error attempting to handle a value for a variable specified in the call to DSIPHONE. The value following rc= is documented in the IRXEXCOM section of the <i>TSO/E REXX/MVS Reference</i> . The value <i>operation</i> indicates the attempted REXX function.
8	PPI receiver name is too long	The name specified for the PPI receiver name is longer than eight characters.

Table 6. DSIPHONE Return Codes (continued)

nnnn	Text Associated with nnnn	Description
9	PPI <i>request</i> failed, rc =	An unexpected error occurred attempting a PPI <i>request</i> . The value after <i>rc=</i> is the return code from the PPI pertaining to the given request. Check the description of this return code in the description of the related PPI <i>request</i> in “Chapter 2. Using High-Level Languages and Assembler to Send Requests” on page 7.
16	Stem's .0 element invalid	The name of a REXX stem was passed as a parameter, but the stem's .0 value (stem size) is not a positive integer.
18	Too many elements in stem	The number indicated in the stem's .0 value was greater than $2^{32}-1$ (2147483647).
19	First line of MLWTO not control line	MLWTO attributes for a stem were specified, but the first element of the stem was not identified as control line, 'TC'.
21	Invalid WAIT interval specified	An invalid value was specified for <i>wait</i> on the RECEIVE call. The value should be a positive integer value less than $(2^{32}-1)/100$ (21474836).
23	Argument 6 is not "APPEND" or blank	The sixth parameter on a RECEIVE call, if specified, is not "APPEND".
25	PPI RECEIVE timed out	The interval specified in the <i>wait</i> parameter has passed, but no data has been received on the PPI receiver specified.
27	Invalid MLWTO line type attribute	The MLWTO line type attribute is not control (TC), label (TL), data (TD), or end (TE).
29	Invalid MLWTO attributes length, <i>attribute_length</i>	The length of the MLWTO attribute string exceeds 255 bytes.
30	Unable to obtain storage, rc=	DSIPHONE was unable to obtain enough additional memory to store, or send, a very large REXX value. The value after <i>rc=</i> is the return code from the OS/390 STORAGE macro.
31	Invalid attempt to call DSIPHONE from Netview	Calling DSIPHONE from Netview is not allowed.
9999	Internal error, <i>condition_code</i>	Contact Tivoli Customer Support.

Chapter 4. Using the NetView LU 6.2 Transport APIs

This chapter describes the NetView management services (MS) transport application program interface (API) within NetView. It also describes the use of the NetView high performance transport API and the differences between it and the NetView MS transport API.

NetView MS Transport API

The NetView MS transport API handles the protocols required by LU 6.2 conversations. The API provides data to NetView to send, defines the destination for the data, and provides a command processor that NetView invokes when data is received for the API.

NetView contains an LU 6.2 API provided by the NetView MS transport that is used to implement a multiple-domain support (MDS) defined by Systems Network Architecture (SNA).

MDS Function

MDS sends and receives management services data, such as alerts or data pertaining to remote operator control, from other devices, including System/390® (S/390) and non-S/390 hosts. MDS supports high data integrity across the transport and provides guaranteed error notifications for each message.

MS Transport Restrictions

To avoid performance problems, do not use the NetView MS transport for the following functions:

- Forwarding NetView system management facilities (SMF) records between communication management configurations
- Sending the entire contents of databases between two different S/390s
- Running performance-critical applications (unless the architecture requires the use of MDS for the application)

NetView High Performance Transport API

The NetView high performance transport API is a generic LU 6.2 API. It functions much like the NetView MS transport API, but uses different LU 6.2 protocols that enhance performance. Most of the external functions for the high performance transport API are the same as for the NetView MS transport API.

For example, the application receives data in the same manner for both APIs. The multiple-domain support message unit (MDS-MU) is put on the command processor initial data queue. The application can use CNMGETD (CNMGETDATA) or DSIGETDS to get the MDS-MU. Also, MDS-MU general data stream (GDS) variables are the enveloping format used for both APIs.

Differences between Transports

The differences between the NetView high performance transport API and the NetView MS transport API are:

- The high performance transport API does not perform confirmations on every multiple-domain support message unit (MDS-MU) that is sent. The NetView MS transport API does.

- The high performance transport API enables the LU 6.2 conversations that it uses to remain persistent, or active, even when no data is available to send. This eliminates stopping a conversation during idle periods and then starting it again when data needs to be sent. Starting and stopping the conversation can affect performance if the idle time is short.

The high performance transport API defaults to persistent conversations. However, you can specify that the conversations should be nonpersistent, or nonpersistent on an LU name basis, by using definition statements.

Conversations on the MS transport API are always nonpersistent.

- The high performance transport API enables applications to specify the logmode to use when sessions are established for the applications to use to send data. Applications can use different logmodes with different session characteristics, as appropriate. When an application registers, it specifies which logmode to use.
- The high performance transport API is not used by the NetView program's focal point support. This means that high performance applications cannot be focal point applications or receive notification about changes in focal points.
- With the high performance transport API, the LU 6.2 verb flow for the send process is different.
The high performance confirmation request (CONFIRM) is only sent for the first piece of data sent after an ALLOCATE. All subsequent sends on the conversation are sent unconfirmed. SEND DATA is issued until the sending transaction processor has no more data to send, at which time it issues a FLUSH request. The conversation is not normally deallocated.
- The high performance transaction program name carried in the function management header-5 (FMH-5) is different. For a high performance transport API transaction, the program name is X'23F0F0F2'.

High Performance Transport Restrictions

The following are restrictions for the high performance transport API:

- The high performance transport API applications cannot use the IBM-supplied logmode SNASVCMG.
- Applications that require a management services capabilities exchange (for example, focal point applications) cannot use the high performance transport API.

Deciding Which Transport API to Use

When building an application on top of NetView, decide which NetView LU 6.2 API your application should use. This topic provides guidelines on how to choose between the NetView MS transport API and the NetView high performance transport API.

When to Use the NetView MS Transport API

Use the NetView MS transport API in the following situations:

- Your application performs remote operations. Determine whether your application is using the functions and GDS variables (for example, ACTIVATE, DEACTIVATE, or CANCEL) described in the operations architecture. For additional information, refer to *Systems Network Architecture Formats*.
- Your application performs an architected function that collects data from other devices that support only the base function multiple-domain support (MDS), as described in *Systems Network Architecture Formats*.
- Your application is written for a non-NetView node that performs remote operations functions or forwards alerts to the NetView program. Use the MS

transport because you are implementing network management architecture categories on the non-NetView node that communicates using MDS.

When to Use the NetView High Performance Transport API

The high performance transport API enables you to write programs that communicate outside of the local host frequently without having those applications affect the LU 6.2 sessions used by the MDS support function. It is not meant to be used for bulk data transfer; the NetView file transfer program (FTP) is an example of a bulk data transfer product.

Use the NetView high performance transport API in the following situations:

- Your application is only transferring data between two NetView systems (for example, forwarding NetView SMF records) and does not need to be expanded to cover other devices.
- Your application performs a function not covered by SNA.
- You require a high transfer rate between your application and the partner application on the other device. You should use the high performance transport even if you are transferring architected data as long as the architecture does not specify to use MDS to perform the data transfer.
- Your application works suitably in an environment in which confirmations are not performed on every data flow. See “NetView System Programmer” on page 59.

Considerations for Applications

System programmers writing applications that use the LU 6.2 protocols should consider several factors in designing their applications:

- Send-Receive interface
- Tasking structure
- MDS transactions

Send-Receive Interface

NetView programs that send and receive MS data can be written in assembler, C, or PL/I. You can also split the send and receive functions and use different interfaces for each.

NetView send interfaces choices:

- You can provide the NetView program a prebuilt MDS-MU or have the NetView program build the MDS-MU. This is determined by the input parameters that you specify.

Relieving the application of the responsibility of building the MDS-MU simplifies the application, but can require more setup work to use the interface.

- You can choose to wait for responses to requests and decide to buffer the responses or forward them immediately.

For programs using PL/I and C, you can choose whether NetView suspends the program while waiting for a response to a data request. If the program is to remain active, you can specify that replies to a data request are buffered or are immediately forwarded to the program.

For programs using assembler, you can specify whether replies to a data request are buffered or are immediately forwarded to the program. See “Receiving Synchronous and Asynchronous Replies” on page 41 for more information.

Tasking Structure

As part of designing the application, the system programmer considers the tasking structure of the application. The task under which the registration macro or command is issued becomes the task to which unsolicited data intended for the application is sent.

A program running under other NetView tasks, however, can pass the application name to NetView as the origin application when issuing send requests. In such cases, replies and error messages pertaining to the send request are sent to the task issuing the send request. If send requests are being issued from tasks other than the registering task, ensure that the task is authorized to run the command specified on the registration.

MDS Transactions

MDS architecture supports data requests that require a response. For example, an MDS transaction can consist of an operator's request to a remote host and the expected response from the remote host.

MDS architecture also supports stand-alone requests. These requests are commands or data transmissions that do not require the receiver to respond to the sender.

Logical requests and responses to MDS transactions are implemented entirely at the application level, not a networking level. Networking software, such as VTAM, generates SNA requests and responses as part of delivering a transaction, but these are not apparent to the application receiving the request, and are not related to the MDS transaction. The response to the transaction comes from the application that receives it.

MDS architecture provides an agent unit-of-work correlator, which provides the ability to correlate requests and responses. MDS architecture also provides error notification to applications if the connection between the applications is lost while a transaction is open.

Requests and Replies

MDS architecture defines the multiple domain support-message unit (MDS-MU) as the data envelopes for requests and replies. MDS-MUs include the agent-unit-of-work correlator, and flag bits that define the purpose of the data in relation to a transaction.

The following are the requests and replies that are possible.

- Request expecting reply
This request initiates a transaction. The application sends data and expects to receive an MDS-MU containing data related to the request. The transaction is uniquely identified by the agent unit of work correlator in the MDS-MU.
- Request not expecting reply
This request defines a stand-alone request. The application is not expecting a response, although NetView can send an error message to the application using the agent unit of work correlator from the request, if the request itself cannot be successfully sent to its destination.
- Reply not last
This is part of a multipart reply. The application expects additional replies pertaining to the same request. Each reply contains the same agent unit of work correlator in the MDS-MU.

- Reply last

This reply completes a transaction. It is the only reply to a request, or is the last part of a multipart reply to a request. When the reply is successfully sent to the application, NetView cleans up its internal resources that were being used to track the transaction.

- MDS error message

This is an error indicator, containing an SNA condition report (SNACR), sent to an application. The error indicator describes an error that occurred while the NetView program was sending an MDS-MU. If the agent unit of work correlator contained in the error message matches the correlator of an outstanding transaction, NetView cancels the transaction. The application involved must retry the request or response. If a transaction is canceled this way, both applications involved in the transaction receive an error message.

An error message is also generated if the timer interval specified (or defaulted) on the send request is exceeded before the last reply is received.

Receiving Synchronous and Asynchronous Replies

Applications using the send interface can receive replies to requests either synchronously or asynchronously. Applications written in assembler can receive only asynchronous replies. Applications written in PL/I and C can receive synchronous or asynchronous replies. NetView users can use the CNMGETD (CNMGETDATA) or DSIGETDS services to obtain replies to requests. Replies can be synchronous or asynchronous:

Synchronous

When replies are received synchronously, the application is suspended after the send request is issued. Control is returned to the application at the next sequential instruction after the last reply to the request is received, or after an error message canceling the request is received.

An error message is generated if the timer interval specified (or defaulted) on the send request is exceeded before the last reply is received.

Asynchronous

Asynchronous replies are received after the application issuing the send request returns control to NetView. The application is not suspended, and NetView uses a specified command to process the received data.

The application can specify that NetView is to forward each reply to the application as the reply is received or that NetView is to buffer the replies. If the replies are buffered, NetView waits until the last reply is received or the request is canceled before issuing the specified application command.

Chaining Replies

Applications can send multipart, chained replies to a request. When sending chained replies, the application must specify the same MDS-MU agent unit of work correlator for each chained reply. The last reply must be identified as last, either by using the appropriate parameter on the send service or by setting the flag bits in a user-built MDS-MU.

An alternative to sending separate replies is to block multiple replies together as one data transmission and use only one NetView send request. The NetView program supports data transmissions of up to 31K. In the case of blocked replies, the receiving application must unblock the replies before processing them.

Saving and Using MDS-MU Correlators

Replies to transactions must use the same agent unit of work correlator contained in the original request. This requires applications to save the correlator until the

transaction is complete. Correlators can be built and returned to the application when a request is made, or the application can supply its own correlator.

For replies or error messages pertaining to a transaction, the send interface provides a parameter for passing the correlator for NetView to use, or the application can provide it when passing a completely built MDS-MU. If the application provides its own correlator, the correlator must be unique.

Specifying Timer Intervals

MDS transactions involving NetView have a limited amount of time to complete before NetView cancels the transaction. This time interval can be specified on the send interface and is affected by time intervals (MAXREPLY and RCVREPLY) established with the NetView DEFAULTS command. Refer to NetView online help for more information about the DEFAULTS command. To specify a time interval, choose one of the following:

MAXREPLY

The first time interval to consider is the maximum amount of time a transaction can remain open. The NetView program default is one day, but it can be set up to one year.

An application can specify up to the DEFAULTS MAXREPLY value on the send interface. The DEFAULTS MAXREPLY value is also used by a NetView application receiving a request.

The amount of time a transaction stays open between two NetView applications is the shorter of the MAXREPLY value on the receive side or the value specified (or defaulted) on the sending side.

RCVREPLY

The second time interval to consider is the RCVREPLY value set by the DEFAULTS command.

If no time interval is specified on the send interface, NetView default of two minutes is used. However, the value can be as high as the value of MAXREPLY.

In determining the timer values for your installation, keep in mind that they will apply to all applications using the LU 6.2 protocols. Set the time interval to an appropriate value for all of your applications.

Handling MDS Error Messages

MDS error messages are used to cancel transactions and to tell applications that replies or requests not expecting replies could not be routed successfully. NetView builds error messages and sends them to applications. In such cases, the origin application name is a hexadecimal string of X'23F0F1F0'.

When an MDS error message is sent, an SNA condition report GDS variable is included. This variable has a sense field that describes the error. If an application is sending an error message to cancel the transaction, it can supply its own sense data in the GDS variable.

Error messages can be sent from either the origin or destination of a transaction to cancel the transaction. In addition to an error message, the origin of a transaction can also send a reply last message to cancel a transaction. Your application should be capable of receiving a reply last message even if it is the target of a request.

Chapter 5. Management Services Applications

The NetView MS transport makes it possible for NetView-supplied and user-written management services applications to communicate with management services applications in other logical units (LUs) over LU 6.2 sessions. The transport acts as an interface between the application and VTAM, establishing LU 6.2 conversations and keeping track of outstanding requests and timeouts.

The NetView MS transport has the following three interfaces:

- Registration services
- Send macro
- Receive macro

For additional information about the PL/I, C, and assembler interfaces refer to:

- “Command and Service Reference” in *Tivoli NetView for OS/390 Customization: Using PL/I and C*
- “Macros” in *Tivoli NetView for OS/390 Customization: Using Assembler*

Registration Services

An application uses the CNMRGS (CNMREGIST) service routine in PL/I and C, or the DSI6REGS macro in assembler, to inform the MS transport that it is ready to send and receive data.

The application can specify:

- Its application name (required).
- A command to run when unsolicited data is received for that application (required).
- A focal point category about which it wants to receive focal point information.
- Whether the application is a focal point application.
- Whether the application is to receive special notification of session outages at other management services nodes.
- Whether the application is suspended after it issues a send request (CNMREGIST service routine only).
- Whether replies to a send request are buffered or immediately forwarded to the application (for the CNMREGIST service routine, only if the application is not suspended).

Session Outage Notification

When registering, an application can choose the type of session outage notification:

ALL

Session outage notifications are received even if the NetView program cannot determine that the outage is caused by a problem.

ERROR

Notification is received only when the NetView program can determine that the session outage is abnormal and it cannot establish a conversation with the affected node.

NONE

No session outage notifications are received (the default).

Session outage information is provided only when the last LU 6.2 session to a node with which the MS transport has been in contact is lost. Non-LU 6.2 session outages do not drive the notification.

REGISTER Command

The REGISTER command enables you to access the functions provided by the CNMRGS (CNMREGIST) service routine in PL/I and C, or the DSI6REGS macro in assembler. Refer to NetView online help for more information about the REGISTER command.

Send Macro

An application uses the CNMSMU (CNMSENDMU) service routine in PL/I and C, or the DSI6SNDS macro in assembler, to send data to another registered application in its own node or another node.

When using the CNMSMU (CNMSENDMU) service routine, an application can specify whether it is suspended after it issues a send request, or, if it remains active, whether replies to the send request are buffered or immediately forwarded to the application. When using the DSI6SNDS macro, an application can specify whether replies to a send request are buffered or immediately forwarded to the application.

Destination Name

If you are using NetView Version 2 Release 4 or later, your application can specify either a NetView LU name or a VTAM CP name (if the receiving VTAM is Version 4 Release 1 or a later release) as the destination name of an MDS send request.

Use the VTAM CP name instead of the NetView LU name when issuing an MDS send request to a NetView Version 2 Release 4 or later program running under VTAM Version 4 Release 1 or a later release. This procedure affects the following NetView services:

- DSI6SNDS macro
- CNMSMU (CNMSENDMU) HLL interface
- FOCALPT command
- DEFFOCPT statement

Note: Current applications that use the NetView LU names do not need to be changed.

When multiple NetView Version 2 Release 4 or later programs run under VTAM Version 4 Release 1 or a later release, only one of the NetView programs can receive MDS-MUs addressed to the VTAM CP name. Determine which one of multiple NetView programs can receive MDS-MUs addressed to the VTAM CP name by using the VTAMCP definition statement in the DSIDMN member. See the *Tivoli NetView for OS/390 Administration Reference* for information about the VTAMCP statement.

Both the sending and receiving NetView programs must run under VTAM Version 4 Release 1 or a later release. The receiving NetView must be at the Version 2 Release 4 level or later and have VTAMCP USE=YES specified in DSIDMN. The sending NetView can be at Version 2 Release 2 or a later release.

When replying to an MDS send request using NetView services, you must ensure that the reply destination matches the origin of the request. A request originating from another NetView with the VTAM CP name as its origin must be replied to using the origin CP name (in place of the NetView LU name) as the destination.

Note: For send requests within the same NetView program, the send service enters the NetView LU name as the origin LU.

Restrictions

The send macro has several restrictions:

- VTAM must be active for data to be sent, even to an application within the same node.
- When data is sent within the same node, the origin and destination application names must be different.
- If one of the applications is an operations management served application, the other application communicating with it must use the routing and targeting instruction general data stream (R&TI GDS) variable in the data that it sends to the operations management application. In case of an application-reported problem, an MS request or reply should be used containing a routing report, as defined in MS architecture, to report the problem.
- If you have interconnected networks, destination LU names must be unique to ensure reliable routing. If a blank NETID is supplied (or defaulted), NetView fills in the correct NETID prior to sending data through the network.

Receive Macro

A receive service, CNMGETD (CNMGETDATA) in PL/I and C and DSIGETDS in assembler, allows an application to receive data from another application, including a focal point notification from operations management.

Implementing the Application

To implement a management services application in the NetView program, the NetView operator, NetView system programmer, and non-NetView system programmer need to follow the instructions described in this section. You can implement the application in NetView or non-NetView LUs.

NetView Operator

The NetView MS transport support is transparent to the NetView operator. However, the system programmer can instruct the operator to issue the registration command (REGISTER) to define the NetView program status as a focal point or entry point for a certain category of management services. An operator can also use the REGISTER command with the QUERY option to display a list of registered applications. Refer to NetView online help for more information about the REGISTER command.

The NetView operator sees messages related to the transport functions. Several other messages are logged only to the network log to assist in problem determination. Most of the messages have prefixes of DWO45 and DWO46. LU 6.2 problems might generate VTAM error messages or DSI769I messages. Refer to NetView online help for a complete description of these messages.

Syntax errors in data received from other nodes cause an alert to be passed to the hardware monitor.

NetView System Programmer

To implement a management services application in the NetView program, the system programmer performs the following tasks:

1. Identify a management services category to process.

Management services categories (Tivoli-defined or user-defined) are collections of processes used to monitor and manage networks. Tivoli defines the following major management services categories:

- Problem management
- Performance and accounting management
- Configuration management
- Change management

Within each major category, Tivoli has defined functional subsets of the category. ALERT_NETOP, for example, is one of the subsets of the problem management category that deals with alert data. The functional subsets are defined in *Systems Network Architecture Formats*.

The functional subsets are implemented by the system programmer as management services application programs that send and receive data. These applications can participate in focal point-entry point relationships. For details on focal points and entry points, refer to “Centralized Operations” in *Tivoli NetView for OS/390 Automation Guide*.

2. Create a management services application.

Write command processors to send and receive data for that management services category. You can use one command processor to handle both sending and receiving. You can access the interfaces to send data from high-level language (HLL) or assembler command processors, or access the interfaces to receive data from HLL, assembler, or REXX command lists.

3. Register the management services application.

You can use the macro interface in a command processor or the command interface.

4. Determine whether your application uses the NetView destination LU name or the VTAM CP name as the destination name in MDS send requests (Version 2 Release 4 or later of the NetView program only).

5. Use the CNMSMU (CNMSENDMU) service routine in PL/I and C or the DSI6SNDS macro in assembler to:

- a. Send requests to other management services applications in the same node or a different node.
- b. Send replies to requests received from other management services applications.

6. Deregister the management services application. You can use the macro interface in a command processor or the command interface. Do this when you no longer want to send or receive data for that management services category.

When an application is deregistered, any outstanding send requests expecting a reply are canceled, and MDS error messages are sent to the other applications involved in the transaction. This is true even for send requests originating under a task other than the registered task. Deregistration prevents applications from sending data using the deregistered application name as the origin application.

Non-NetView System Programmer

Applications running in LUs without NetView can communicate with the MS transport. For this communication, the non-NetView LU must implement MDS-SEND and MDS-RECEIVE transaction programs similar to those of the NetView MS transport. For more information about communicating from non-NetView applications, refer to *Systems Network Architecture Formats*.

The criteria for non-NetView program communication using the NetView MS transport includes:

- Applicable portions of the LU 6.2 architecture
- The send process
- The timeout message

Applicable LU 6.2 Architecture

This section describes the portions of the LU 6.2 architecture that provide application choices; it does not describe the entire LU 6.2 architecture. It also describes function management header-5 (FMH-5) restrictions on programs communicating with the NetView program.

Refer to *Systems Network Architecture Formats* for details of the MDS-MU encoding and the MDS transport architecture for the MDS-SEND and MDS-RECEIVE transaction programs.

BIND Setting: NetView uses VTAM LU 6.2 support. The following information describes how VTAM handles the bytes in the BIND. The information uses zero-origin indexing. The first byte of the BIND is zero (0), the second is 1, and so on.

On initial contact with a previously unknown LU, VTAM assumes that the LU supports parallel sessions (byte 24 of the VTAM BIND settings set to X'23') and attempts to establish a SNASVCMG session to negotiate session limits.

You can change the byte-24 setting to X'2C' if your LU supports only single sessions and you want to negotiate the BIND.

You can reject the BIND with a sense code of X'0835xxxx', where xxxx is one of the following:

- The value of X'0018', the offset of the byte for parallel session support (byte-24 in Table 7)
- The offset of the first character of the SNASVCMG name in the mode name structure subfield

Table 7. VTAM BIND Settings

Bytes	Description
0–6	Always set to X'31001307B0B050'. The second byte implies that the BIND can be negotiated. The LU is not obligated to do anything other than send a positive or negative response, but can perform other functions.
7	Specifies contention results. X'B3' The BIND sender is the contention winner for the session. X'A3' The BIND sender is the contention loser for the session. This byte also indicates that VTAM includes control vectors in the BIND, making it an extended BIND.

Table 7. VTAM BIND Settings (continued)

Bytes	Description
8, 9	Controls secondary logical unit (SLU) pacing. VTAM indicates one-stage pacing, and the exact pacing window values can vary. VTAM supports adaptive session-level pacing.
10	Controls the SLU's maximum send RU size. VTAM accepts values from X'80' to X'FF'. The default is X'85' (256 bytes). See <i>Systems Network Architecture Formats</i> for the hexadecimal format of this byte.
11	Controls the primary logical unit's (PLU's) maximum send RU size. VTAM supports X'80' to X'FF' with a default of X'85'.
12, 13	Controls PLU pacing. VTAM supports adaptive session pacing. VTAM's default pacing window sizes are X'3F'.
14–22	Always set to X'0602000000000000'.
23	Indicates security support. NetView does not use security features available in LU 6.2 architecture. Therefore, this byte defaults to X'00'.
24	Contains LU 6.2 flags. VTAM sets the byte to X'23' for parallel session capable partners or X'2C' for single-session capable partners (see note).
25, 26	Always set to zero. This indicates that limited-resource sessions and cryptography are not supported.

VTAM includes the following structured subfields in the BIND:

- Mode name
- Session-instance identification (ID)
- Network-qualified PLU name

No user-request correlator is present. The fully-qualified program control interrupt (PCI) control vectors, class-of-service control vectors, and transmission priority control vectors are included.

FMH-5 Restrictions: NetView does not use the full range of LU 6.2 options on its conversations. The following are restrictions on the function management header-5 (FMH-5) that can be sent to start a conversation:

- The transaction program (TP) name you specify in the FMH-5 must be X'23F0F0F1', which is the architected name for MDS-RECEIVE.
- NetView supports only basic conversations.
- The synchronization level must be CONFIRM.
- Security subfields are not used and are not accepted.
- NetView does not use the logical agent unit of work correlator (UOWC) that can be included in the FMH-5.
- Program initialization parameter (PIP) data is not supported.

The NetView LU 6.2 support uses the SNASVCMG mode to implement simple send and receive transaction programs that use only a small subset of permissible LU 6.2 verbs. Your LU should not attempt to maintain a conversation to send data indefinitely. SNASVCMG might be needed for internal LU processing. The partner LU must periodically deallocate the conversation. Problems should not arise if you follow the management services architecture closely.

Data flow on a conversation is always one-way. If an error is detected on a conversation, the correct way to report it is to deallocate the conversation

abnormally (DEALLOC TYPE=ABNDPROG *verb*). Partner LUs should not attempt to reverse the data flow direction. Specifically, your LU should not issue the following:

- SEND-ERROR or REQUEST-TO-SEND from a receiving application
- RECEIVE or PREPARE-TO-RECEIVE from a sending application

If SEND-ERROR, RECEIVE, or PREPARE-TO-RECEIVE are detected, the NetView program abends the conversation and ignores REQUEST-TO-SEND.

In addition, partner LUs should not attempt to include error log data on an abnormal conversation deallocation, because NetView does not support the function. NetView receives error log data but discards it.

The NetView program includes confirmation requests on the data it sends and expects confirmation requests sent with the data it receives.

Send Process

The following is the process NetView uses to send the data that has been passed to it:

1. NetView determines whether session limits have been established with your LU. If not, NetView issues a change number of sessions (CNOS) verb request.

Note: If your LU has established a session with NetView using an INIT-SELF or has set session limits as part of its initialization, NetView does not issue the CNOS request.

2. When session limits are set, NetView issues an ALLOCATE request.
3. NetView issues SEND-DATA and CONFIRM messages until nothing is left to send. In some error recovery cases, NetView can issue a CONFIRM message with no data preceding it.
4. When no data remains to be sent, NetView issues a DEALLOCATE request.

Time Out Message

NetView enables command processors using the transport service to specify a time interval within which a response must be received for requests. If this timer expires, NetView cancels the request and sends a message to your LU indicating that a reply is no longer required. This message is in the form of an with a sense code of X'08A90003'.

Chapter 6. Operations Management Served Applications

Operations management is an MS application that enables Tivoli-supplied and user-written operations management served applications to send architected operations management commands to remote systems for execution. The extended routing capabilities available using routing and targeting instruction (R&TI) GDS variables within a CP-MSU make it possible to:

- Route the command to the appropriate command processor in the target system for execution.
- Route the acceptance report, completion reports, and other delayed replies back to the same instance of the issuing served application.
- Correlate the reports and delayed replies with the original command.
- Inform a served application in an entry point node of the identity of the focal point for unsolicited operations management data.

These capabilities enable two operators or autotasks to use the same served application program to control two different remote systems. Each can receive the replies and reports for the system it is controlling.

The following interfaces enable a served application to achieve operations management communication:

- Registration service
- Send macro
- Receive macro

Refer to the following for more information about the PL/I, C, and assembler interfaces:

- “Command and Service Reference” in *Tivoli NetView for OS/390 Customization: Using PL/I and C*
- “Macros” in *Tivoli NetView for OS/390 Customization: Using Assembler*

Registration Service

A registration service macro CNMRGS (CNMREGIST) service routine in PL/I and C or the DSI6REGS macro in assembler specifies the following information to operations management:

- Service application name
- Command processor name
- Task name for receiving unsolicited data
- Whether to be informed of focal point information

Buffering Replies

When using the CNMRGS (CNMREGIST) service routine, an application can specify whether it is suspended after it issues a send request, or, if it remains active, whether replies to the send request are buffered or immediately forwarded to the application. When using the DSI6REGS macro, an application can specify whether replies to a send request are buffered or immediately forwarded to the application.

Session Outage Notification

When registering an application, the type of session outage notification it receives can be specified:

ALL

Session outage notifications are received even if the NetView program cannot determine that the outage is caused by a problem.

ERROR

Notifications are received only when the NetView program can determine that the session outage is abnormal.

NONE

No notifications are received (the default).

Session outage information is provided only when the last LU 6.2 session to a node with which the MS transport layer has been in contact is lost. Non-LU 6.2 session outages do not drive the notification.

REGISTER Command

The REGISTER command enables you to access the functions provided by the CNMRGS (CNMREGIST) service routine in PL/I and C, or the DSI6REGS macro in assembler. Refer to NetView online help for more information about the REGISTER command.

Send Macro

A send service macro (CNMSENDMU service routine in PL/I and C or the DSI6SNDS macro in assembler) allows the served application to send data to another registered application in the same node or a remote node.

When using the CNMSMU (CNMSENDMU) service routine, an application can specify whether it is suspended after it issues a send request or, if it remains active, whether replies to the send request are buffered or immediately forwarded to the application. When using the DSI6SNDS macro, an application can specify whether replies to a send request are buffered or immediately forwarded to the application.

Destination Name

If you are using NetView Version 2 Release 4 or later, your application can specify either a NetView LU name or a VTAM CP name (if the receiving VTAM is Version 4 Release 1 or a later release) as the destination name of an MDS send request.

Use the VTAM CP name instead of the NetView LU name when issuing an MDS send request to a NetView Version 2 Release 4 or later program running under VTAM Version 4 Release 1 or a later release. This procedure affects the following NetView services:

- DSI6SNDS macro
- CNMSMU (CNMSENDMU) HLL interface
- FOCALPT command
- DEFFOCPT statement

Note: Current applications that use the NetView LU names do not need to be changed.

When multiple NetView Version 2 Release 4 or later programs run under VTAM Version 4 Release 1 or a later release, only one of the NetView programs can receive MDS-MUs addressed to the VTAM CP name. Determine which one of multiple NetView programs can receive MDS-MUs addressed to the VTAM CP name by using the VTAMCP definition statement in the DSIDMN member. Refer to *Tivoli NetView for OS/390 Administration Reference* for information about the VTAMCP statement.

Both the sending and receiving NetView must run under VTAM Version 4 Release 1 or a later release. The receiving NetView must be at the Version 2 Release 4 level or later and have VTAMCP USE=YES specified in DSIDMN. The sending NetView can be at Version 2 Release 2 or a later release.

When replying to an MDS send request using NetView services, you must ensure that the reply destination matches the origin of the request. A request originating from another NetView with the VTAM CP name as its origin must be replied to using the origin CP name (in place of the NetView LU name) as the destination.

Note: For sends within the same NetView, the send service enters the NetView LU name as the origin LU.

Restrictions

The send macro has several restrictions:

- VTAM must be active for data to be sent, even to an application within the same node.
- Unless an application is operations management, when data is sent within the same node, the origin and destination application names must be different. If the origin application and destination application are operations management, and the served application is sending from within the same node, the origin application name in the R&TI must be different from the destination application name.
- Served applications use the R&TI GDS variable in the data they send to other served applications. A routing report contained in an MDS request or reply should be used to report problems to partner applications. The origin application in the MDS-MU must be operations management, and the origin application name in the R&TI is the served application name. If an origin application specifies a destination instance identifier when it sends a request with reply, the identifier must be the same as the issuing task.

Receive Macro

A receive service routine, CNMGETD (CNMGETDATA) in PL/I and C and DSIGETDS in assembler, enables the served application to receive data from another application, including a focal point notification from operations management.

Implementing the Application

To implement an operations management served application in NetView, the NetView operator, NetView system programmer, and non-NetView system programmer must follow the instructions described in this section. You can implement the application in NetView or non-NetView LUs.

NetView Operator

The NetView MS transport support is transparent to the NetView operator. However, the system programmer can instruct the operator to issue the registration command (REGISTER). This might be necessary for the operator to send and receive data from other management services applications using operations management. The operator can also use the REGISTER QUERY command to display a list of registered applications.

NetView System Programmer

Task List: To implement an operations management served application in NetView, a system programmer performs the following tasks:

1. Creates an operations management served application. Writes command processors to send and receive data. You can use one command processor to handle both sending and receiving. You can access the interfaces to send data from high-level language (HLL) or assembler command processors, or access the interfaces to receive data from HLL, assembler, or REXX command lists.
2. Registers the operations management served application. Either the macro interface in a command processor or the command interface can be used.
3. Determines whether the application uses the NetView destination LU name or the VTAM CP name as the destination name in MDS send requests (only if NetView Version 2 Release 4 or later is used).
4. Uses the CNMSMU (CNMSENDMU) service routine in PL/I and C or the DSI6SNDS macro in assembler interfaces to do both of the following:
 - a. Send requests to other management services applications or operations management served applications in the same node or a different node.
 - b. Send replies to requests received from other management services applications or operations management served applications.
5. Deregisters the operations management served application.

Either the macro interface in a command processor or the command interface can be used. Do this when the task ends or when you no longer want to send or receive data for that management services category.

Non-NetView System Programmer

Operations management does not have non-NetView system interfaces other than those specified for the MS transport (see “Non-NetView System Programmer” on page 47). However, the data must be in the form of an MDS-MU containing a CP-MSU with an R&TI.

Operations Management Routing Considerations

Application designers should be aware of the following operations management routing considerations:

- Operations management can have two defined application names:
 - At initialization time, operations management registers itself as an entry point, X'23F0F1F6'.
 - If operations management is also a focal point, X'23F0F1F7' is also registered.

Unless you are sure that operations management is a focal point, use X'23F0F1F6' when sending or building an MDS-MU. Your code can properly process MDS-MUs with either name in them.

The operations management name is contained in the origin or destination application field of the X'1311' GDS variable contained in the MDS-MU header. See "MDS Routing Information (X'1311') GDS Variable" on page 74 for more information about the MDS-MU header.

- Unsolicited data is routed by operations management to the task that is specified in the destination instance identifier. If the destination instance identifier is not present or is inactive, the request is sent to the task from which the registration macro or command defining the served application was issued. If the registration task is not active, a routing report is returned.
- For replies, the destination instance identifier is not used even if it is present. Replies always go back to the task issuing the send request.
- For routing reports that are not replies, the report is sent to the task that issued the send request that generated the routing report, unless operations management has purged its internal representation of the original request due to elapsed time. If this has happened, replies are sent to the destination instance identifier if it is present. If this task is not present or is inactive, the routing report goes to the registration task. If this procedure fails, an error message is logged.
- For MDS error messages, operations management sends the error message to the task that issued the request generating the error message, unless operations management has purged its representation of the request due to elapsed time. In such a case, a message is logged and the MDS error message is discarded.

Chapter 7. NetView High Performance Transport API

The NetView high performance transport API provides a better-performing alternative to the NetView MS transport for user-written applications that need an LU 6.2 API. The NetView high performance transport API makes it possible for NetView-supplied and user-written applications to communicate with applications in other LUs (NetView or non-NetView) over LU 6.2 sessions.

Communication between applications using this transport is in the form of MDS-MUs. See “Appendix A. Data Formats for LU 6.2 Conversations” on page 73 for information about the format of MDS-MUs.

Tivoli-provided functions in NetView that are not performing architected management services functions also use the NetView high performance transport API.

The NetView high performance transport API acts as an interface between the application and VTAM. It establishes LU 6.2 conversations and monitors outstanding requests and time-outs. The NetView high performance transport API has the following three interfaces:

- Registration service
- Send service
- Get data facility

For additional information about the PL/I, C, and assembler interfaces refer to:

- “Command and Service Reference” in *Tivoli NetView for OS/390 Customization: Using PL/I and C*
- “Macros” in *Tivoli NetView for OS/390 Customization: Using Assembler*

Registration Service

An application uses the CNMHRGS (CNMHREGIST) service routine in PL/I and C or the DSIHREGS macro in assembler to inform the NetView high performance transport API that it is ready to send and receive data. The application specifies:

- Its application name
- A command to run when data is received for that application
- The logmode the application will use

No validity checking of the specified logmode is done, except to ensure that if it is specified on a REPLACE=YES registration, it matches the existing logmode. To change the logmode used to send data, an application deregisters and then reregisters.

If the logmode does not exist in the VTAM logmode table, the first entry in the table is used for the default. Because VTAM overrides many of the BIND parameters, the first logmode works in setting up an LU 6.2 session. The session parameters, however, might or might not be desirable in such a case.

When using the CNMHRGS (CNMHREGIST) service routine, an application can specify whether it is suspended after it issues a send request, or, if it remains active, whether replies to the send request are buffered or immediately forwarded to the application. When using the DSI6HREGS macro, an application can specify whether replies to a send request are buffered or immediately forwarded to the application.

The application can also specify whether it wants to receive special notification of session outages at other high performance nodes.

When registering an application, the type of session outage notification it receives can be specified:

ALL

Session outage notifications are received even if NetView cannot determine that the outage is caused by a problem.

ERROR

Notifications are received only when NetView can determine that the session outage is abnormal.

NONE

No notifications are received (the default).

Session outage information is provided only when the last LU 6.2 session to a node is lost and the high performance transport has been in contact with the node using the logmode of the lost session. Non-LU 6.2 session outages do not drive the notification.

This service can also be used to inform the NetView high performance transport API that the application no longer wants to send or receive data.

Send Service

An application uses the CNMHSMU (CNMHSENDMU) service routine (in PL/I and C) or the DSIHSNDS macro (in assembler) to send data to another registered application in its own node or another node. In PL/I and C, the service is provided by the CNMHSMU (CNMHSENDMU) service routine.

When using the CNMHSMU (CNMHSENDMU) service routine, an application can specify whether it is suspended after it issues a send request, or, if it remains active, whether replies to the send request are buffered or immediately forwarded to the application. When using the DSI6SNDS macro, an application can specify whether replies to a send request are buffered or immediately forwarded to the application.

There are several restrictions to the send macro:

- VTAM must be active for data to be sent, even to an application within the same node.
- When data is sent within the same node, the origin and destination application names must be different.
- If you have interconnected networks, destination LU names must be unique to ensure reliable routing. If a blank NETID is supplied (or defaulted), NetView fills in the correct NETID prior to sending data through the network.

Get Data Facility

To get the MDS-MU that is on the initial data queue, an application can use one of the following:

- Service routine CNMGETD (CNMGETDATA) for PL/I and C
- Macro DSIGETDS for assembler
- A command list and REXX command

Implementing High Performance Transport API Applications

To implement a high performance transport API application in the NetView program, the NetView system programmer and non-NetView system programmer must follow the instructions described in this section. You can implement the application in NetView or non-NetView LUs.

NetView System Programmer

To implement a NetView application that uses the high performance transport API, the NetView system programmer performs the following tasks:

1. Defines an application name (1–8 characters) that is used to identify this application. The name can consist of characters A–Z (uppercase only) and 0–9.
2. Creates an application by writing command processors to send and receive data using that application identification.

Consider the following guidelines:

- One command processor can handle both sending and receiving.
 - The interfaces to send data can be accessed from an HLL or assembler command processor.
 - The interfaces to receive data can be accessed from an HLL, assembler, or REXX command list.
 - As part of designing the application, also consider the tasking structure of the application. For more information about the application's tasking structure, see "Tasking Structure" on page 40.
3. Registers the application using the REGISTER command or the application name registration services API from a command processor.

The application name registration service API is described in "Command and Service Reference" in *Tivoli NetView for OS/390 Customization: Using PL/I and C*.

When registering the application, decide which logmode the application will use:

- Use an existing logmode, if the application can afford to share its data transmissions with other applications.

All applications using the same logmode at any given time use the same conversations and the same path to send data to a given LU. While one application is sending data, another application using the same logmode is queued until the first send request is processed.

A logmode to which more than one application is registered is driven by the X'08A80012' sense code in case of session failure.

For example, the RMTCMD function uses the PARALLEL logmode. Other applications registering with the high performance transport should avoid registering under the PARALLEL logmode, unless it is acceptable to have both RMTCMD and the user-written application driven by the X'08A80012' sense code if either experiences a session failure.

Note: To determine the logmode with which an application has been registered, you can use the REGISTER QUERY command.

- Use a logmode that other applications do not use, if the application has a lot of traffic and you want to prevent interferences with other applications.

Using a unique logmode for each application guarantees that the application is driven with the X'08A80012' sense code only when that application has experienced a session failure.

A different logmode enables:

- The data to be sent on different paths, depending on the logmode to class of service (COS) to path mapping that is performed during the VTAM definition.
- System programmers to define unique system parameters for sessions that the application uses, including maximum RU size.
- The application to send data without waiting for other sends to complete, except for sends from the same application.

Note: If you copy and rename an existing logmode, the logmode will not be driven by insignificant X'08A80012' sense codes.

4. Use the CNMSMU (CNMSENDMU) service routine in PL/I and C or the DSI6SNDS macro in assembler to:
 - a. Send requests to other management services applications in the same node or a different node.
 - b. Send replies to requests received from other management services applications.
5. Receive data from the initial data queue using the CNMGETD (CNMGETDATA) or DSIGETDS interface.

This data can be:

- An MDS-MU that other applications sent to this application as a request.
- A reply to a request that this application generated.
- Error data in one of the following forms:
 - An MDS error message to specify that a particular piece of data identified by the agent unit of work correlator (UOWC) was not sent.
 - A generic error message with a correlator supplied by the MDS router.
 - A generic error message with a sense code of X'08A80012' indicating that a connectivity problem has occurred with the LU specified in the SNA condition report over the mode the application is using. The message does not indicate whether the error has affected data the application might have previously sent.

Note: If multiple applications share the same logmode, both receive the X'08A80012' error message whenever a problem occurs. This happens regardless of which application caused the problem during a send. The application must determine if the outage is significant.

6. Deregister the application using the macro interface in a command list when you no longer want to send or receive data with this application or when the default receiving task ends.

When an application is deregistered, any outstanding send requests expecting a reply are canceled, and MDS error messages are sent to the other applications involved in the transaction. This is true even for send requests originating under a task other than the registered task. Deregistration prevents applications from sending data using the deregistered application name as the origin application.

Non-NetView System Programmer

In addition to applications running on NetView that use the registration service, send service, and get data facility, some applications running in LUs without NetView can communicate with applications running on NetView using the high performance transport API. For this communication, the non-NetView LU must implement the MDS_HP_RECEIVE transaction program and send functions similar to those in the high performance transport API.

For more information about NetView to non-NetView communications and the differences between the MS transport and the high performance transport, see “Non-NetView System Programmer” on page 47 and “Differences between Transports” on page 37.

Maintaining Data Integrity

If you want to maintain data integrity while using the high performance transport API, use the following techniques:

- Put a sequence number on every flow between two applications. If you do this, the receiving application recognizes whether a number is missing and whether an error occurred. After detecting the error, the two applications can resynchronize.
- Use a start and end message. For example, if the sending application recognizes that it has 50 pieces of data to send, it can:
 - Send a start message indicating there are 50 pieces of data.
 - Send the 50 pieces of data.
 - Send an end message indicating that the transfer is complete.

If the application receives start and end messages, but does not receive 50 pieces of data, it recognizes that an error occurred. If the application receives another start message before an end message, it means that an error occurred because the end message is missing from the previous send.

If the application receives an end message followed by more data, an error has occurred.

- Specify a time interval within which a response must be received (assuming the request required one). If this time interval passes, the API cancels the request and sends an MDS error message to the other node to specify that the UOWC is no longer outstanding and no reply is required. The MDS error message, which is also sent to the application that generated the request, has a sense code of X'08A90003'.

You can use the SENSE command to display the meaning of a sense code. Refer to NetView online help for more information about the SENSE command.

Chapter 8. Programming Techniques

This chapter describes programming techniques and provides pseudocode examples explaining how to use the program-to-program interface (PPI). You can transport these pseudocode examples to other operating systems.

Writing Effective Programs

Use the following information to write programs that use the PPI most effectively:

- Ensure that you have completed the steps under “Receiving Alerts” on page 8.
- When building the NMVT buffer, do not skip any bytes. All fields must be adjacent. In some cases, you might need to change the declarations for a field so that boundaries do not cause bytes to be skipped. For example, in many languages, a declaration for an integer causes the storage area assigned for the integer to begin on a word or halfword boundary. This can cause bytes to be skipped. In that case, declare the variable as a different type (such as character) that does not cause bytes to be skipped.
- If necessary, reinitialize variables that have been written over during a previous call to the interface.
- Some of the fields in the request parameter block (RPB) overlap other fields (for example, ASCB-ADR and ECB-ADR overlap SENDER-ID). If your program makes multiple calls to the NetView program, you might need to reinitialize some of these overlapping fields.
- If you use PL/I, refer to “Compiling, Link-Editing, and Running Your HLL Program” in *Tivoli NetView for OS/390 Customization: Using PL/I and C*.
- In MVS, the PPI runs synchronously with any application that makes a call to the PPI. The PPI resides in the NetView subsystem address space. Once a call is made, control is passed to the PPI. The NetView subsystem address space must be active for control to be passed successfully to the PPI.
- When the NetView subsystem address space that you specified with a PPI option is inactive, the PPI is inactive. When the subsystem address space is stopped and restarted and the PPI is started, the receivers that were previously defined in the PPI are still defined, but the receiver’s buffer queue is lost.
- Only one PPI is allowed in a host subsystem. It is contained in the subsystem interface address space you specify.
- When a task that has a registered receiver ends or abends, the PPI is notified and sets the receiver to inactive.
- For MVS in NetView Version 2 Release 2 or later, any application written for NetView Version 1 Release 3 or Version 2 Release 1 runs without any alteration. However, when a return code of 30 (no buffer available) is generated from request type 22 (receive a buffer), the address of the receive ECB in bytes 20-23 of the RPB is also returned. This is the ECB returned in the ECB-ADR of the RPB from request type 4 (define and initialize a receiver).

Note: You can still use the 40-byte or 52-byte RPB.

High-Level Language and Assembler Programming Examples

The following pseudocode examples are designed to help you write code that can be easily transported from one system to another.

Initializing a Receiver

The following is a pseudocode example for initializing a receiver:

```
( Fill in all required fields in the Request Parameter Block for request type 3. )
(                                                                              )

CALL CNMNETV(RPB control block)      ( Issue request type 3.      )

IF RETCODE = 0 THEN
    save the ASCB returned from PPI    (                          )
ELSE
    EXIT with error                    (                          )
ENDIF

( Fill in all required fields in the Request Parameter Block for request )
( request type 4.                                                         )

CALL CNMNETV(RPB control block)      ( Issue request type 4      )

IF RETCODE = 12 THEN                 ( If the connect was delayed. )
    WAIT on ECB passed back in ECB-ADR ( Issue the wait yourself or )
    and/or                             ( issue request 24 to do it for )
    TYPE = 24                           ( you. Either way a request 24 )
    CALL CNMNETV(RPB control block)    ( must be issued to make sure )
    CALL CNMNETV(RPB control block)    ( the connect completed       )
    CALL CNMNETV(RPB control block)    ( successfully.               )
    CALL CNMNETV(RPB control block)    ( Check to see if the connect )
    CALL CNMNETV(RPB control block)    ( succeeded.                   )
ENDIF

SELECT on RETCODE
    ( Take appropriate action for the return code. )
    ( NOTE, it is no longer necessary to save the ECB returned from the )
    ( connect. PPI will always return the ECB to wait on whenever a wait )
    ( is necessary. )
ENDSELECT.
```

Receiving a Buffer

The following is a pseudocode example for receiving a buffer:

```
( Fill in all required fields in the Request Parameter Block for a )
( request type 22, if the length of the incoming buffer is unknown, )
( set the BUFFQ-L to 0. Use same work area used for request type 4. )

RETCODE = 30                          ( Initialize return code )
                                      ( to buffer available.   )

LOOP WHILE RETCODE = 30                ( Loop until a buffer is )
                                      ( successfully received. )

CALL CNMNETV(RPB control block)      ( Issue request type 22. )

SELECT on RETCODE

CASE 0
    ( A buffer was successfully received, take appropriate action )

CASE 31
    ( The buffer length was too small, DTRUBL will be filled in with )
    ( the length of the incoming buffer. If DTRUBL was set to zero, )
    ( this will be the return code sent back. )

    GET STORAGE for the number of bytes returned in DTRUBL

CASE 30
```



```

        ( No buffer to receive. Issue a wait yourself or issue a request )
        ( type 24 to do the wait for you. )

        WAIT on ECB returned in ECB-ADR
          or
        TYPE = 24

        CALL CNMNETV(RPB control block)

    OTHERWISE
        ( An error occurred, take appropriate action. )

    ENDSELECT
ENDWHILE

```

Sending a Buffer Synchronously

The following is a pseudocode example for sending a buffer synchronously:

```

        ( Fill in all required fields in the Request Parameter Block for )
        ( request type 12 or 14. )

        CALL CNMNETV(RPB control block)          ( Issue request type 12 or 14.)

    SELECT on RETCODE

        CASE 0
            ( Send successfully completed, take appropriate action. )

        OTHERWISE
            ( An error occurred, take appropriate action. )

    ENDSELECT

```

Disconnecting a Receiver

The following is a pseudocode example for disconnecting a receiver:

```

        ( Fill in all required fields in the Request Parameter Block for )
        ( request type 9, restore ASCB-ADR field for MVS. Use same work area )
        ( that was used for request type 4. )

        CALL CNMNETV(RPB control block)          ( Issue request type 9. )

    SELECT on RETCODE

        CASE 0
            ( Disconnect successfully completed, take appropriate action. )

        OTHERWISE
            ( An error occurred, take appropriate action. )

    ENDSELECT

```

REXX Programming Examples

The following pseudocode examples illustrate the usage of the DSIPHONE REXX external routine.

Usage Scenario

Two application programs running anywhere that TSO REXX runtime environments are available, within the same MVS image, can send data to and receive data from each other using a PPI receiver name known to both applications.

The following is an example of a server/client application:

Client application

```
/* REXX */
/* Define a new PPI receiver and name it CLIENT */
call DSIPHONE 'OPENRECV', 'CLIENT'
command = 'Some command to be executed.....'
/* Send command to PPI receiver, SERVER, */
/* specifying the sender's name is CLIENT */
call DSIPHONE 'SEND', 'SERVER', 'COMMAND', 'CLIENT'
/* Wait (forever) for data to arrive on our PPI receiver. */
/* When it arrives, receive it into a stem called output. */
/* but only if the sender's receiver name is SERVER. Store */
/* the SAF userid of the sender in REXX variable, safuid */
call DSIPHONE 'RECEIVE', 'CLIENT', 'OUTPUT.',,,'SAFUID','SERVER'
if safuid = 'expected SAF userid for SERVER' then
do
/* process output. stem */
end
else /* this data is not from whom we expected it to be from */
nop
/* Delete the PPI receiver named CLIENT */
call DSIPHONE 'CLOSE', 'CLIENT'
exit 0
```

Server application

```
/* REXX */
/* Define a new PPI receiver and name it SERVER */
call DSIPHONE 'OPENRECV', 'SERVER'
do forever
/* Wait (forever) for data to arrive on receiver SERVER. Receive */
/* each buffer into REXX variable, cmd. Put the sender's receiver */
/* name into REXX variable, clientReceiver */
call DSIPHONE 'RECEIVE', 'SERVER', 'CMD', 'CLIENT_RECEIVER'
/* process command and put the result into the REXX stem, output. */

/* send stem output. to the sender's receiver name */
call DSIPHONE 'SEND', client_receiver, 'OUTPUT.', 'SERVER'
end
exit
```

Common Operations Services Commands

The common operations services (COS) commands support and enhance the NetView program control of service points. A service point application manages non-SNA devices, such as front-end line switches and multiplexers. You can send commands to the service point application to do problem determination for the non-SNA devices.

Reference: For detailed information about the vector and SNA formats used by COS, refer to the following publications:

- *SNA Management Services Reference*
- *Systems Network Architecture Formats*

You can use the following NetView COS commands with service points for problem determination. Refer to NetView online help for the format of the COS commands.

LINKTEST

Requests that the service point test a given link or link segment.

LINKDATA

Requests that the service point return device data for a given link or link segment.

LINKPD

Requests problem determination analysis from the service point on a given link or link segment.

RUNCMD

Sends service point application commands to the service point applications. Replies are returned to the operator or the command list issuing RUNCMD.

As part of its outgoing record, RUNCMD builds an unformatted subvector 31. This unformatted subvector 31 contains no subfields, in deviation of the current architecture. The incoming reply can be formatted or unformatted.

The COS commands are long-running commands that suspend the command list when they are executed. The command list resumes when the COS command is completed. When the command is completed, a return code is set. Refer to "Common Operations Services Commands" in *Tivoli NetView for OS/390 Customization: Using REXX and the NetView Command List Language* for more information about the COS commands.

COS Command Flow

COS commands can flow over the communication network management interface (CNMI) or the management services (MS) transport. The DSIGDS task registers with the MS transport as SPCS (COS_NETOP) to enable COS commands to flow over the MS API.

When commands flow over the MS API, the major vector is placed inside the X'1212' GDS variable of the control point management services unit (CP-MSU) of a multiple-domain support message unit (MDS-MU). The SP parameter of the RUNCMD command is the destination LU name, and EP_COS is the destination application name.

If the NET parameter is not specified in a COS command, NetView checks the CNMI configuration table for the service point (SP) name. If NetView finds the SP name, the CNMI transport is used. If the NetView program does not find the SP name, the MS transport is used. If the MS transport fails with SNA sense category and modifier X'08A8' or X'08A9', a retry takes place on the CNMI. If the MS transport attempt fails for any other reason, there is no retry and a message is issued.

If the CNMI request succeeds, the SP name is placed in the COS configuration table. You can use the PURGE command to purge the table. You can use the DEFAULTS command to set the timeout value of COS commands flowing over the CNMI and MS transport. Refer to Netview online help for more information about the PURGE and DEFAULTS commands.

If replies to RUNCMD have more than 32 KB of data, the issuer of the RUNCMD will receive message DSI296 INVALID DATA RECEIVED. No notification is sent to the Service Point Application indicating the reply was rejected.

The maximum size for a CP_MSU, as stated in the *SNA Management Services References*, is 31743 (X'7BFF') bytes. The DSIGDS task can handle 32 KB of data, but because the service point application might not be aware of the transport being used, it is recommended that the smaller maximum reply size of 31743 bytes be used.

Message to Operator

The message to operator (MTO) sends unsolicited messages to a NetView operator console. MTO is serviced by the DSIGDS task. You can use automation to trap the messages.

The NetView program uses the X'50' subfield of the X'06' subvector of the X'006F' major vector to route the MTO to the NetView operator console. All MTOs are sent to automation in the native MSU format. Note that some MTOs arrive enveloped in a MDS-MU across LU 6.2 sessions, whereas other MTOs arrive enveloped in NMVTs across SSCP-PU sessions. Regardless of the envelope, all MTOs are first sent to automation as an MSU (MDS-MU or NMVT). If there is a match for the MSU MTO in the automation table, the MTO is not displayed to the NetView operator's console. If there is *no* match for the MSU MTO in the automation table, the MTO is sent to automation as a series of single line messages. After the message automation process, the single line messages are sent to the NetView operator console.

Using COS Command Lists

NetView provides six command lists that issue COS commands. You can modify these command lists for your particular application or use them for your own command lists. The following are the names and descriptions of each of the six command lists provided by NetView:

Name Description

INITCNFG

Contains the service point resource information.

The configuration defined in INITCNFG should match the configuration of the lines controlled by your service points. Consider adding INITCNFG to CNMSTYLE so that it runs automatically.

Note: This command list does not work if you use lowercase values.

You can modify the following fields to contain the configuration of all the lines you control with the COS commands:

LINE Line name
SP Service point name
APPL Application name
UN Using node name
RD Remote device name
NET Network name

ADDLINE

Allows you to define common global variables to the SPLOOKUP command list for a new line. The syntax is:

ADDLINE

►►—ADDLINE LINE ,SP ,APPL [,UN] [,RD] [,NET]

SPLOOKUP

Enables you to issue COS commands for a given line. SPLOOKUP determines the parameters needed to issue a COS command for a line using the global variables set up by INITCNFG.

If you do not specify the *net* variable, the system defaults to the local network name. The command must be in single quotes.

Chapter 9. Using the Trace Facility

The PPI trace facility enables you to set up a trace in the PPI for either an individual receiver or all current and future receivers. The PPI trace facility writes a trace record each time a user defines, deactivates, or deletes a receiver to the PPI and each time a buffer is sent or received.

Using the Interface Facility

You can use the PPI trace facility to debug problems or analyze performance.

For example, if applications that use the PPI are not communicating correctly, you can enable the PPI trace facility to gather information to help determine the problem in the dialog. The trace facility creates a log of all the buffers that are sent to and received by the applications. You can use the log to verify that the correct dialog occurred between the applications or that the applications correctly received all the buffers.

As another example, you can use the log created by the PPI trace facility to analyze the performance of applications that use the PPI. If congestion occurs at the interface, the PPI trace records show how long buffers are on the PPI buffer queue before being received by the application. Using this trace information, applications can be modified to optimize the flow of information buffers.

Controlling the Trace Facility

You control the PPI trace facility with the TRACEPPI command. You can use the TRACEPPI command to start, stop, modify, or end the PPI trace facility. See NetView online help for more information about the TRACEPPI command.

When you enable a trace for the first time, you can specify whether trace information is written to internal storage or to an external data set, using the generalized trace facility (GTF).

Writing to Internal Storage

If you specify that trace information is written to internal storage, you can specify the size of the storage area for the trace information by using the SIZE parameter when you define the PPI trace. This storage is allocated from the PPI address space.

Note: If the storage area for the trace information is too large, applications using the PPI can encounter out-of-storage conditions.

The PPI address space is contained in the subsystem interface address space. You can access the PPI trace information by dumping the PPI address space and the common storage area (CSA). If the subsystem interface is brought down while the PPI has an active internal trace, the subsystem interface dumps the internal PPI trace information.

Writing to External Storage with GTF

To use the GTF option to collect PPI trace information, you need to install, activate, and enable GTF for PPI traces. If you specify the GTF option when you issue a TRACEPPI command, trace records are written to an external data set. An internal PPI trace table is not created.

When you start GTF, specify the USRP parameter and enter the PPI event ID (X'5EF'). Without the event ID, the trace enters a GTF disabled state, and all records logged during the disabled state are lost. To re-enable the GTF, stop and restart GTF with the USRP parameter and the PPI event ID (X'5EF').

If you start GTF with a user-cataloged procedure that does not have a SYSLIB DD statement, issue the system console commands shown in Table 8.

Table 8. Starting the PPI Generalized Trace Facility

You enter...	GTF responds...
START GTF, , , (MODE=EXT)	xx AHL100A SPECIFY TRACE OPTIONS
R xx,TRACE=USRP,...	yy AHL100A SPECIFY TRACE KEYWORDS--USR=
R yy,USR=(5EF)	

While a GTF trace is active, errors can occur such as:

- The GTF address space becomes inactive
- The GTF buffers become full
- A paging error occurs

When an error occurs, the subsystem interface address space issues an MVS console message describing such errors, and the PPI trace is put into GTF disabled state.

For more information about GTF, refer to the MVS/ESA library. For a description of the GTF trace buffers, refer to the MVS/ESA library.

Monitoring the Trace Facility

You can use the DISPPI command to monitor the receivers that are traced. Output from the DISPPI command shows information about the receiver's buffer or trace status. Also, the DISPPI command displays information about the PPI trace table.

Note: If you are migrating from NetView Version 3 Release 1 or previous releases, the DSICMD statement must be updated to enable use of the DISPPI command.

Refer to the NetView online help for the format of the DISPPI command. Refer to "Diagnostic Tools for the NetView Program" in *Tivoli NetView for OS/390 Diagnosis Guide* to interpret the results of the PPI trace.

Appendix A. Data Formats for LU 6.2 Conversations

This chapter describes the formats of the following principal data types used by the management services (MS) transport and its NetView applications, including the hardware monitor:

- Multiple-domain support message unit (MDS-MU) header structure
- MDS data types
- MDS error message format

Figure 12 is a conceptual view of the format used by the MDS-MU (X'1310') general data stream (GDS) variable. The MDS-MU contains an MDS header and an application program GDS variable.

The entire MDS-MU (MDS header and application program GDS variable) must be less than 32767 (X'7FFF') bytes in length. The MDS header should be 1024 (X'400') bytes in length. The maximum size permitted for the application program GDS variable in the MDS-MU is 31743 (X'7BFF') bytes.

The application program GDS variable contains MS application program data supplied by the MS application program. It can be a control point management services unit (CP-MSU) (X'1212') GDS variable, an SNA condition report (SNACR) (X'1532') GDS variable, or some other GDS variable.

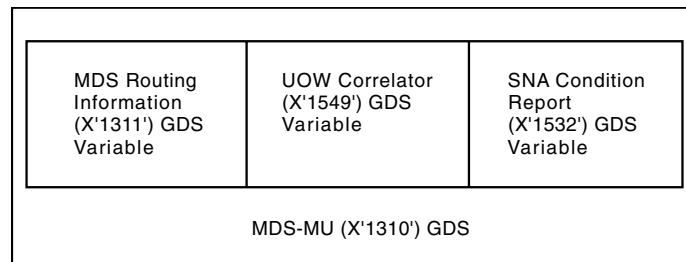


Figure 12. Format of an MDS-MU GDS

MDS Header Structure

Figure 13 on page 74 shows the format of an MDS header. The MDS header is the information used for routing between MS application programs. The MDS header is composed of two GDS variables:

- MDS routing information (X'1311') GDS variable
- Agent unit of work correlator (X'1549') GDS variable

NetView checks the syntax of MDS-MU headers received from other nodes. If a syntax error is found, a software alert is generated for the hardware monitor and an MDS error message is written to the system log. The MDS error message contains the first 100 bytes of the failed MDS-MU.

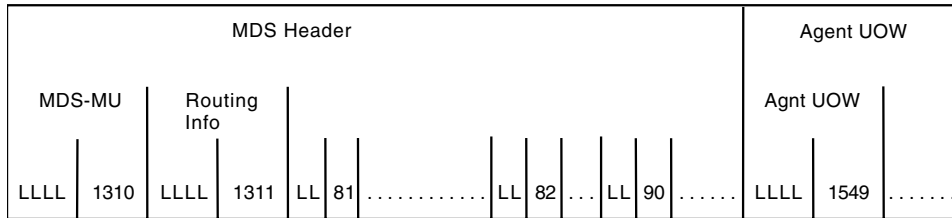


Figure 13. Format of an MDS Header

MDS Routing Information (X'1311') GDS Variable

The routing information GDS variable contains the data required for MDS routing. It consists of the following structures:

- Location names
 - Origin location name (X'81') MS subvector
 - Destination location name (X'82') MS subvector
- Flags (X'90') MS subvector

Location Names

There are two location names contained in the MDS routing information GDS variable: the name of the originating location and the name of the destination location. Each location name MS subvector consists of the network ID (NETID) of the LU, the unqualified LU name, and an MS application program name.

Create the NETID and LU names with the following characteristics:

- You can use characters from the set A–Z, 0–9, \$, #, and @.
- Alphabetic characters must be uppercase and the first character must be non-numeric.
- The characters \$, #, and @ are supported for migration purposes only. Do not use them in LU or network names.
- You can include trailing blanks, but they are ignored for comparison purposes.

Origin Location Name (X'81') MS Subvector: The origin location name (X'81') MS subvector consists of the structures in Table 9.

Table 9. Contents of Origin Location Name (X'81') MS Subvector

Structure Name	GDS/SV/SF	Description of Contents
NETID	X'01'	The network ID of the origin LU.
LU name	X'02'	The unqualified LU name of the origin.
MS application program name	X'03'	An MS application program name: <ul style="list-style-type: none"> • A 4-byte architecturally defined name • A 1-to 8-byte installation defined name.

Destination Location Name (X'82') MS Subvector: The destination location name (X'82') MS subvector consists of the structures in Table 10.

Table 10. Contents of Destination Location Name (X'82') MS Subvector

Structure Name	GDS/SV/SF	Description of Contents
NETID	X'01'	The network ID of the destination LU.

Table 10. Contents of Destination Location Name (X'82') MS Subvector (continued)

Structure Name	GDS/SV/SF	Description of Contents
LU name	X'02'	The unqualified LU name of the destination.
MS application program name	X'03'	An MS application program name: <ul style="list-style-type: none"> • A 4-byte architecturally defined name • A 1-to 8-byte installation defined name.

Flags (X'90') MS Subvector

This subvector contains the following indicators:

- **Message Type**

The message type can be one of the following:

- MDS request
- MDS reply
- MDS error message

These message types characterize the messages from the perspective of the NetView MS transport. The message type at the application program level can be different.

Table 11 summarizes the relationship between MDS message types and application program-level flows.

- **First MDS Message Indicator**

This flag is set to 1 when the message is the first (or only) message for the unit of work.

- **Last MDS Message Indicator**

This flag is set to 1 when the message is the last (or only) message for the unit of work. It is set to zero (0) when additional messages are expected.

Table 11. Settings of MDS Message Type First and Last MDS Message Flags

Application Program-Level Flow	MDS Message Type	First MDS Message Flag	Last MDS Message Flag
Request without reply	MDS request	1	1
Unsolicited data without acknowledgment (alert)			
Request with reply	MDS request	1	0
Unsolicited data with acknowledgment			
Reply (not last)	MDS reply	0	0
Last (or only) reply	MDS reply	0	1
Acknowledgment			
MDS error message	MDS error message	1	1

MDS-MUs contain a correlator field (described under “Agent Unit of Work Correlator (X'1549') GDS Variable” on page 76) that links requests and replies together. Error messages also contain a correlator that identifies failing MDS send requests. If replies are sent with the last indicator off, multiple MDS-MUs can be sent as replies to the same request. When this occurs, NetView buffers the replies until the last

one is received and then sends all data to the application at the same time. If a timeout occurs before the last reply is received, all previous replies are discarded.

Agent Unit of Work Correlator (X'1549') GDS Variable

This correlator provides a value unique across time for the MS application program that assigns it, allowing MDS-MUs containing requests, replies, and error messages to be correctly correlated by both MDS and the application programs.

Correlator Contents

The contents of the correlator are described in Table 12. The structures are broken down by subvector (SV) and subfield (SF).

Table 12. Contents of Agent Unit of Work Correlator (X'1549') GDS Variable

Structure Name	GDS/SV/SF	Description of Contents
Requester location name	X'01'	Name of node where the unit of work originated
	X'01'	NETID of originating node
	X'02'	LU name of origination node
Requester agent	X'04'	Name of originating MS application
Sequence number date and time	X'02'	Uniquely identifies unit of work

Sequence Number Date and Time Structure: Table 13 describes the contents of the sequence number date and time structure of the agent unit of work correlator (X'1549') GDS variable.

Table 13. Contents of Sequence Number Date and Time (SEQNO DTM) Structure

Field Name	Byte Offset	Description of Contents	Example Values
Length	0	Length of SEQNO DTM structure	X'11'
Key	1	Key (always X'02')	X'02'
SEQNO	2-5	Unique binary sequence value	X'00000001'
Date		Date of unit of work origination	X'07C90B11'
	6, 7	4-digit year, in hexadecimal	
	8	2-digit month, in hexadecimal	
	9	2-digit day of month, in hexadecimal	
Time		Time of unit of work origination	X'173B3B63'
	10	2-digit hour, in hexadecimal	
	11	2-digit minute, in hexadecimal	
	12	2-digit second, in hexadecimal	
	13	2-digit hundredth of second, in hexadecimal	
Time flag	14	Indicates whether date/time is local or Greenwich Mean Time (GMT) X'E9'- date/time is GMT (no offset) X'4E'- date/time is local (ahead of GMT) X'60'- date/time is local (trails GMT)	X'60'
GMT offset		Present only when date/time is local	X'0400'
	15	2-digit hour offset in hexadecimal	
	16	2-digit minute offset in hexadecimal	

The **Example Values** in Table 13 on page 76 describe a sequence number date and time structure of X'1102000000107C90B11173B3B3B600400'. This hexadecimal string indicates the following:

- Structure length is 17 (X'11').
- Structure key, which is always 2 (X'02').
- A unique sequence number of X'00000001'.
- Local date is 17 November 1993 (X'07C90B11').
- Local time is 23:59:59.99. (X'173B3B63').
- Local time trails GMT (X'60').
- Offset from GMT is minus 4 hours (X'0400').

The GMT, also known as Coordinated Universal Time (UTC), is understood from the example data to be 18 November 03:59:59.99.

Accepting an MDS-MU

Hardware and software products in non-NetView nodes can send a CP-MSU within an MDS-MU to a hardware monitor MS application (ALERT_NETOP X'23F0F3F1') using the NetView MS transport. An MDS-MU has a key of X'1310' for its header.

MDS-MU Example

Figure 14 shows an example of an MDS-MU message. The MDS message type is request without reply. It is being sent from a network known as NETA from an LU known as CNM01 and an application known as USERAPPL. It is going to an LU called CNM02 in the same network and to an application named ALERT_NETOP (X'23F0F3F1'). The data content is a CP-MSU containing an alert. See Figure 13 on page 74 for the format of an MDS header.

```

MDS Routing Information  --> 00B41310 00371311 19810601 D5C5E3C1 0702C3D5 D4F0F10A
                                03E4E2C5 D9C1D7D7 D3158206 01D5C5E3 C10702C3 D5D4F0F2
                                060323F0 F3F10590 00C00000 33154916 010A01D5 C5E3C140
                                4040400A 02C3D5D4 F0F14040 400A04E4 E2C5D9C1 D7D7D30F ← Agent Unit
                                02000000 03005B07 020A1413 00E90046 12120042 00000B92   of work
                                00000121 01000000 01101000 0D110E0A 0040F1F2 F3F4F540   Correlator
CPS-MSU  --> 40110303 0109D5C1 D4C5F140 4040E3E8 D7F10693 10011023
                                0C960601 10221023 04813110

```

Figure 14. MDS-MU Message

MDS Data Types

The application GDS variable can be one of the following MDS data types:

- A CP-MSU
- An SNA condition report (SNACR)
- A routing report
- A network management vector transport (NMVT)
- A routing and targeting instruction (R&TI)

These data types are used by the MS transport and its NetView applications, including the hardware monitor. A major vector is a GDS variable. These data types are provided to allow operations management served applications to send architected operations management commands to remote systems for execution and receive commands from remote systems.

CP-MSU Format

Figure 15 shows the format of a CP-MSU. For operations management served applications the CP-MSU (X'1212') consists of data that includes the R&TI information. The CP-MSU can also contain an SNA condition report (SNACR).

The maximum length allowed for the CP-MSU is 31743 (X'7BFF') bytes.

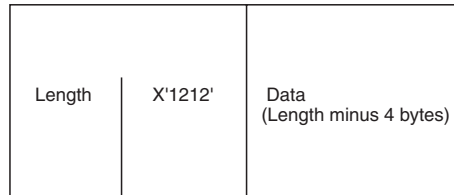


Figure 15. Format of a CP-MSU

Accepting a CP-MSU

Programs in the same node as NetView (regardless of address space) can use the PPI with function code 12 to send an NMVT or CP-MSU with a valid hardware monitor major vector to the hardware monitor.

The valid major vectors are:

- X'0000' Alert
- X'0001' Link event
- X'0002' Resolve
- X'0025' PD statistics
- X'000F' ISDN/CMIP statistics
- X'132E' RECFMS envelope

CP-MSU has a key of X'1212'.

These major vectors are the expected major vectors. However, the ALERT_NETOP function does not limit the major vectors to those listed. If an unacceptable major vector is presented to the hardware monitor, it can later cause an error.

An exception is made for the first appearance of the parameter major vector R&TI (X'154D'). This parameter major vector is not processed and does not cause an error. That R&TI is attached behind the next major vector, if there is one, when that next major vector is copied in a CP-MSU.

Multiple Major Vectors in a CP-MSU

There is no limit to the number of major vectors in a CP-MSU.

The multiple major vectors to be processed are separated using first-in, first-out (FIFO) queuing and processed individually. A CP-MSU with multiple major vectors is divided into that number of CP-MSUs, each with one of the major vectors that was in the input CP-MSU. The remaining parts of the hardware monitor process the new CP-MSUs.

If the initial CP-MSU arrives in an MDS-MU from the MS transport, each new CP-MSU has an image of the MDS header from that MDS-MU prefixed to it before being processed. Therefore, if the initial input was a CP-MSU, the NetView automation table, for an alert or resolve, examines a single major vector in a

CP-MSU. The argument applied to automation is a single major vector in a CP-MSU within an MDS-MU. Prepare the user's automation table accordingly.

For operations management, a CP-MSU can have only one operations management architected major vector.

Routing Report Format

Routing reports are special CP-MSUs used by operations management to report routing errors at the application level. A special null subvector in the CP-MSU, X'00040077', identifies it as a routing report. The routing report contains an R&TI and an SNA condition report. The SNA condition report format is different from the format used in MDS error messages, which contain only an MDS header and SNA condition report, not an SNA condition report within a CP-MSU. The SNA condition report used in the routing report, contains a structure report, as defined by SNA architecture. Figure 16 shows the structure of the routing report.

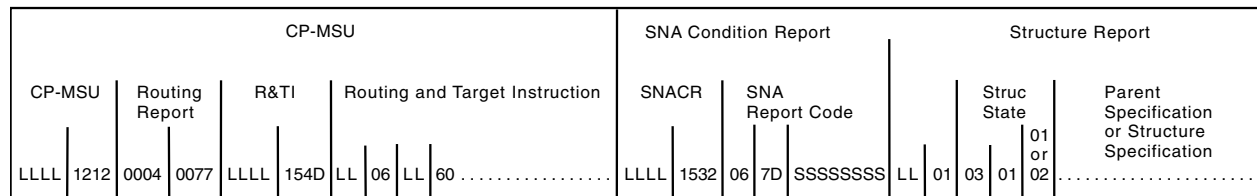


Figure 16. Format of a Routing Report

NMVT Format

Figure 17 shows the format of a network management vector transport (NMVT). An NMVT contains a header and *B* bytes of data. The length of *B* plus 8 is a parameter outside the NMVT.

See *Systems Network Architecture Formats* for more information about data type formats.

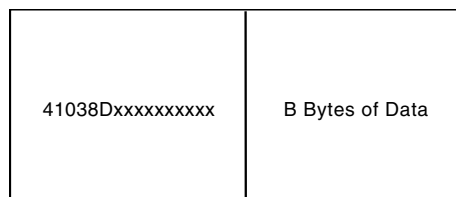


Figure 17. Format of an NMVT

R&TI Format

Figure 18 on page 80 shows the format of an R&TI. The R&TI format includes the following structures:

R&TI header

4 bytes; 2-byte length field of entire variable (X'154D')

Name list header

2 bytes; 1-byte length field (2-bytes and subfield lengths) (X'06')

Destination application

2-byte header plus destination application name (length + X'50')

Origin application

2-byte header plus destination application name (length + X'60')

Destination instance identifier

2-byte header plus destination instance used for task name (length + X'70')

Origin instance identifier

2-byte header plus origin instance used for task name (length + X'80')

R&TI Header		Name List Header			Destination Application Subfield		Origin Application Subfield		Destination Instance Identifier Subfield		Origin Instance Identifier Subfield					
LL	X'154D'	L	X'06'	Subfield Lengths	L	X'50'	Dest Appl Name	L	X'60'	Origin Appl Name	L	X'70'	Dest Instance	L	X'80'	Origin Instance

Figure 18. Format of an R&TI

MDS Error Message Format

The MDS error message is the vehicle for reporting errors detected by an MDS router at any point along the path of a transaction. It is also used by MS application programs under certain circumstances. Figure 19 shows a high-level composition of an MDS error message.

Note: The MDS error message is not a unique GDS variable. It is an MDS-MU with a message type of MDS error message. It always contains the SNA condition report (X'1532') MDS variable as its application program GDS variable.

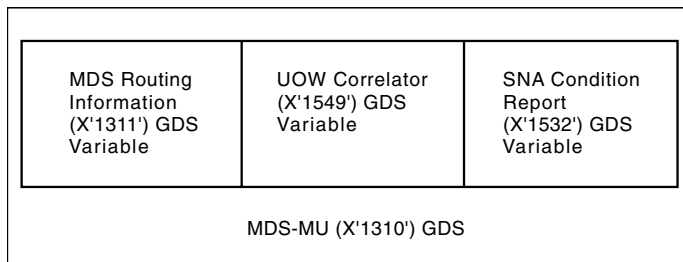


Figure 19. Format of an MDS Error Message

An MDS error message is created for two categories of errors:

- Routing errors in which an individual MDS-MU could not be delivered successfully to its destination application program. However, no error report is created for nondelivery of an MDS error message.
- Transaction failure in which the error does not pertain to an individual MDS-MU, but to the sequence of such message units that comprise a transaction. For example, it is a transaction failure if NetView is able to determine, from either the receipt of session outage notification or the expiration of the timer, that no reply is forthcoming for a request that expected one.

The MDS error message has the following characteristics:

- It is sent either from an MDS router in the node that detected the error or from one of the communicating MS application programs. The MDS router is a function of the MS architecture implemented by NetView.
- The agent unit of work correlator (X'1549') GDS variable in the MDS header identifies the MDS-MU that could not be delivered or the transaction that failed.
- The application program data is an SNA condition report (X'1532') GDS variable, which carries an SNA report code (SNA sense data), identifying the precise error that was detected. An MDS error message created by MDS also identifies the LU and application program names for the other application program that was involved in the transaction, but not the LU and MS application programs that are the destination of the MDS error message. The LU and MS application programs are identified in the SNA condition report (X'1532') GDS variable because the origin of the MDS error message is the MDS router, not the partner application program.

Table 14 shows the contents of an MDS error message created by an MDS router.

Table 14. Contents of an MDS Error Message (X'1310') Created by MDS Router

Structure Name	GDS/SV/SF	Description of Contents
MDS routing information	X'1311'	
Origin location name	X'81'	
NETID	X'01'	NETID of reporting node
LU name	X'02'	LU name of reporting node
Application ID	X'03'	X'23F0F1F0' (MDS router)
Destination location name	X'82'	
NETID	X'01'	NETID of destination node
LU name application ID	X'02'	LU name of destination program
Application ID	X'03'	Destination MS application program
Flags	X'90'	
MDS message type		
First MDS message indicator		MDS error message (X'02')
Last MDS message indicator		1-first message for unit of work 1-last message for unit of work
Agent unit of work correlator	X'1549'	Correlator of failed transaction
Requester location name	X'01'	Name of node where work originated
Requester NETID	X'01'	NETID of node
LU name	X'02'	LU name of node
Requester agent	X'04'	Name of originating MS application
Sequence number date and time structure	X'02'	Unique work unit identifier
SNA condition report	X'1532'	
SNA report code	X'7D'	Sense data indicating nature of error
Reported on destination prefix	X'08'	(delimiter)
Reported on location name	X'09'	Name of node
Reported on NETID	X'01'	NETID of node
Reported on node ID	X'02'	LU name of node
Reported on destination suffix	X'0B'	(delimiter)
Reported on agent	X'04'	MS application name

MDS Error Message Example

Figure 20 on page 82 shows the MDS router at CNM02 generating an error message to send to USERAPPL at CNM01 because ALERT_NETOP (X'23F0F3F1') was not registered at CNM02. See Figure 16 on page 79 for the format of an SNA condition report.

```
00911310 00371311 15810601 D5C5E3C1 0702C3D5 D4F0F206
0323F0F1 F0198206 01D5C5E3 C10702C3 D5D4F0F1 0A03E4E2
C5D9C1D7 D7D30590 02C00000 33154916 010A01D5 C5E3C140
4040400A 02C3D5D4 F0F14040 400A04E4 E2C5D9C1 D7D7D30F
02000000 03005B07 020A1413 00E90023 1532067D 08A80003
02080F09 0601D5C5 E3C10702 C3D5D4F0 F2020B06 0423F0F3
F1
```

Figure 20. MDS Error Message

Application Program-Level Error Reporting

The MDS error message is not the normal vehicle for reporting application program-detected errors. Other errors include:

- Command reject
- Parsing exception
- Function not supported

These errors are reported with application program-defined techniques such as reply major vectors, but under some circumstances, an MS application program must be able to end an outstanding MDS transaction unconditionally.

For example, an MS application program might start a timer when an MDS request is sent to another MS application program. If no reply has been received when the timeout period has elapsed, the sending MS application program can conclude that something is wrong with the destination application program, causing it not to respond. Because the sending MS application program will not wait for the reply any longer, it must end the outstanding MDS transaction with an MDS error message.

The format of an MDS error message sent by an MS application program is similar to that shown in Table 14 on page 81, except that the SNA condition report (X'1532') GDS variable in this MDS error message contains just the SNA report code containing the sense data. The reported-on location name and reported-on agent structures are not used because the partner application program is fully identified in the destination of the MDS error message.

Appendix B. Program-to-Program Interface Return Codes

This appendix describes the return codes generated by the program-to-program interface (PPI) and the hexadecimal equivalents for each request type. The following operating systems indicators are used in the table:

See “Building the Request Buffer” on page 9 for more information on the request parameter buffers.

Table 15. Return Codes Generated by Program-to-Program Interface Request Types

Return Code	Hex Value	Description	Request Type											
			1	2	3	4	9	10	12	14	22	23	24	
0	X'0'	The request completed successfully.			X	X	X	X	X	X	X	X	X	X
4	X'4'	The specified receiver is not active. The program-to-program interface has received a copy of the NMVT, CP-MSU, or data buffer.								X	X			
10	X'A'	The program-to-program interface is available to process user requests.	X											
14	X'E'	The receiver program is active.		X										
15	X'F'	The receiver program is inactive.		X			X	X						
16	X'10'	The receiver program is already active.				X								
18	X'12'	The receiver ECB is not zero.												X
20	X'14'	The request code is not defined.												
22	X'16'	The program issuing this request is not running in primary addressing mode.		X	X	X	X	X	X	X	X	X	X	X
23	X'17'	The user program is not authorized.									X			
24	X'18'	The program-to-program interface is not active.	X	X	X	X	X	X	X	X	X	X	X	X
25	X'19'	The ASCB address is not correct.					X	X				X	X	
26	X'1A'	The receiver program is not defined.		X			X	X	X	X	X	X	X	
28	X'1C'	An active subsystem interface address space was found, but an active program-to-program interface address space was not found.	X	X	X	X	X	X	X	X	X	X	X	X

Table 15. Return Codes Generated by Program-to-Program Interface Request Types (continued)

Return Code	Hex Value	Description	Request Type												
			1	2	3	4	9	10	12	14	22	23	24		
30	X'1E'	No data buffer in the receiver buffer queue.											X	X	
31	X'1F'	The receiver buffer is not large enough to receive the incoming data buffer.											X		
32	X'20'	No NetView storage is available.				X				X	X				
33	X'21'	The buffer length is not valid.								X	X	X			
35	X'23'	The receiver buffer queue is full.								X	X				
36	X'24'	ESTAE recovery cannot be established as requested.				X	X	X	X	X	X	X	X	X	
40	X'28'	SENDER-ID or RECEIVER-ID is not valid.		X		X	X	X	X	X	X	X	X		
90	X'5A'	A processing error has occurred.	X	X		X	X	X	X	X	X	X	X	X	X

Appendix C. Network Asset Management

This appendix is intended to help you write NetView command lists. It contains general-use programming interface and associated guidance information.

This appendix provides information about:

- Vital product data (VPD) returned from the VPDCMD command
- The sample network asset management command lists
- The record formats used by the sample network asset management command lists

Use the information provided in this appendix as a reference when interpreting messages returned from the VPDCMD command, when modifying the sample network asset management command lists, or when writing your own network asset management command lists.

Vital Product Data Descriptions

Messages that are returned in response to the VPDCMD command contain the following types of VPD:

- Answering node configuration data
- Product data
- DCE data
- Link configuration data
- Sense data
- Attached device configuration data
- Product set attributes

Different devices support different fields of the subvectors that return the VPD. A message is built using all the fields supported by an answering device. The message reflects all the VPD that is supplied by the device, including any supported fields that the device returns with values of blanks or zeros. Some devices can return values of blanks or zeros for fields that have no meaning to the device. You can obtain more information on some of the fields from the applicable hardware and software publications.

The layout of the subvectors formatted by network asset management are in this section. For more information about the subvectors and their major vectors, refer to *Systems Network Architecture Formats*.

Answering Node Configuration Data

Answering node configuration data describes the node that answered the VPD request. Answering node configuration data is returned in the following messages:

- DWO100I
- DWO103I

Messages DWO100I and DWO103I contain the same fields. Message DWO103I is issued instead of message DWO100I if the configuration reported by VTAM includes more names than the routine can manage. This situation can occur when the amount of storage allocated during initialization is not sufficient. You specify the amount of storage on the VPDSTOR operand of the VPDINIT statement. Because

of the storage restriction, message DWO103I does not contain information about the complete configuration. The higher level node identification is not included.

Messages DWO100I and DWO103I are two-part messages. One part of the message contains information about the node where the VPD request originated. The other part of the message shows the configuration of the originating node.

The syntax of messages DWO100I and DWO103I is:

REQID *reqid* : **ORIG** *nodetype nodename* **CNFG** *nodetype nodename* [...]

Where:

reqid

Is the ID that correlates this reply to a specific request.

ORIG *nodetype nodename*

Describes the node where the VPD request originated.

nodetype can be one of the following:

PU The physical unit name

LSN The link station name

LU The logical unit name

LINK The link name

CH/LINK

The channel-link name

nodename is the name of the originating node.

CNFG *nodetype nodename*

Describes the configuration of the originating node.

nodetype can be one of the following:

PU The physical unit name

LSN The link station name

LU The logical unit name

LINK The link name

CH/LINK

The channel-link name

The *nodenames* are the names that make up the configuration of the originating node.

Product Data (Subvectors X'10' and X'11')

Message DWO102I contains data about the type of product of a particular node. The data is returned in subvectors X'10' and X'11'.

The syntax for message DWO102I is:

REQID *reqid* : *prodid vpdfield=xxx* [...]

Where:

reqid

Is the ID that correlates this reply to a specific request.

prodid

Identifies the type of product. The *prodid* variable can have one of the following values:

IBM-HW

IBM hardware

MIX-HW

IBM or non-IBM hardware (not distinguished)

OEM-HW

Non-IBM hardware

IBM-SW

IBM software

MIX-SW

IBM or non-IBM software (not distinguished)

OEM-SW

Non-IBM software

vpdfield=xxx

Represents a combination of various fields and values that describe the type of product of a particular node. The message reflects all the data returned from the device. Vital product data is device dependent. Each device builds a different combination of fields. NetView formats all of the data that the device returns, even if the data contains blanks or zeros.

The fields that can be contained in DWO102I are:

Field Value**M/T** Machine type of the hardware product**MDL** Machine model number of the hardware product**MFG** Plant of manufacture of the hardware product**S/N** Sequence number of the hardware product**EM/T** Machine type of the emulated product**EMDL** Machine number of the emulated product**COMPID**

Software serviceable component identifier

REL Software serviceable component release level**VER** Software product common version identifier**RLS** Software product common release identifier**MOD** Software product common modification identifier**SPROD**

Software common product name

NODEID

Software product customization identifier

PPN Software program product number**CSD** Software product customization date in YY/DDD format**CST** Software product customization time in HH:MM format**ECL** Microcode EC level**HPROD**

Hardware product common name

VID Vendor identification

DCE Data for Modems (Subvector X'50')

Message DWO112I contains DCE data for modems retrieved from a DCE that supports read-configuration LPDA-2 commands. The data is returned in subvector X'50'.

The syntax of message DWO112I is:

REQID *reqid* : *vpdfield=xxx* [...]

Where:

reqid

Is the ID that correlates this reply to a specific request.

vpdfield=xxx

Represents a combination of fields and values that contain LPDA-2 DCE link connection subsystem data. The message reflects all the data returned from the device. Depending on the device, different fields are used to build this portion of the message. All the fields returned from the device are used, even the fields that contain blanks or zeros. Your modem publications might contain more information on some of the fields.

The fields that can be contained in DWO112I are:

Field Value

CLSL Current link segment level.

ADDR DCE address.

DCESENS

2-character LPDA2 sense code.

M/T Modem type.

MDL Modem model.

PORT DCE port identifier to which the DTE is connected (fan-in/fan-out modems only).

FEAT Modem features. The value of FEAT is one of the following:

CPL A coupler is installed.

DMPX A data multiplexer is installed.

FAN A fan-out is installed.

DTE DTE is connected.

DIR Direction connection.

TAI Tailed cable connection.

CECL Card EC level.

PECL Packaging EC level.

HROS High-speed ROS EC level.

LROS Low-speed ROS EC level.

S/N Serial number.

SPD Speed in use: full or backup.

NSP Normal (full) speed.

BSP Backup speed.

FNC Network function. The value of FNC is one of the following:

- PRI** The modem is primary in point-to-point.
 - SEC** The modem is secondary in point-to-point.
 - CTL** The modem is control in multipoint.
 - TRI** The modem is tributary in multipoint.
- CLK** Clock options. The value of CLK is one of the following:
- INT** The modem uses an internal clock.
 - EXT** The modem uses a DTE-provided clock.
 - RCV** The transmit clock is locked to the receive clock.

DCE Data for DSUs/CSUs (Subvector X'50')

Message DWO113I contains DSU/CSU data retrieved from a local DCE that supports modem-and-line status LPDA-2 commands. Message DWO114I contains DSU/CSU data retrieved from a remote DCE that supports modem-and-line status commands. The data is returned in subvector X'50'.

The syntax of messages DWO113I and DWO114I is:

REQID *reqid* : *vpdfield=xxx* [...]

Where:

reqid

Is the ID that correlates this reply to a specific request.

vpdfield=xxx

Represents a combination of fields and values that describe the node that could not satisfy a VPD request. The message reflects all the data returned from the device. Depending on the device, different fields are used to build this portion of the message. All the fields returned from the device are used, even the fields that contain blanks or zeros. Your DSU/CSU publications might contain more information on some of the fields.

The fields that can be contained in DWO113I and DWO114I are:

Field Value

ADDR DCE address.

DCESNS

2-character LPDA2 sense code.

M/T DSU/CSU type.

MDL DSU/CSU model.

FEAT Modem features. The value of FEAT is one of the following:

- DTE** DTE is connected.
- DDS** DDS is connected.
- DIR** Direction connection.
- TAI** Tailed cable connection.

CECL Card EC level.

MECL Microcode EC level.

S/N Serial number.

FNC Network function. The value of FNC is one of the following:

- PRI** The modem is primary in point-to-point.
- SEC** The modem is secondary in point-to-point.
- CTL** The modem is control in multipoint.

TRI The modem is tributary in multipoint.

XSP Transmission speed.

Link Configuration Data (Subvector X'52')

Message DWO110I contains data about the configuration of a link connection. The data is returned in subvector X'52'.

The syntax of message DWO110I is:

REQID *reqid* : *vpdfield=xxx* [...]

Where:

reqid

Is the ID that correlates this reply to a specific request.

vpdfield=xxx

Represents a combination of various fields and values that describe the link connection. The message reflects all the data returned from the device. Depending on the device, different fields are used to build this portion of the message. All the fields returned from the device are used, even the fields that contain blanks or zeros. More information on some of the fields might be available in your NCP publications.

The fields that can be contained in DWO110I are:

Field Value

PRT Port address (refer to *NCP and EP Reference Summary and Data Areas*).

RDLCADR

Remote device SDLC address.

MDT Modem features. The value of MDT is one of the following:

STD The modem does not have a multiplex link feature.

DMPX The modem has a multiplex link feature.

EXT The local DCE is external to the sending node.

ITG The local DCE is integrated to the sending node.

LSLN Number of link segments active on this link connection for a given link station.

LDA Local device address.

MCN Modem correlation number.

STA LCS link station attributes. STA can be further qualified with one value from each of the following groups:

- Link station role

PRI The node is the primary link station.

SEC The node is the secondary link station.

NEG The node can negotiate the role of the link station.

- Remote link station node type

T01 The remote link station node type is 01.

T02 The remote link station node type is 02.

T04 The remote link station node type is 04.

T21 The remote link station node type is 2.1.

NSN The remote link station node type is non-SNA.

- LKA** Link attributes. LKA can be further qualified with one value from each of the following groups:
- Connection type
 - LSD** The connection is leased.
 - SWC** The connection is switched.
 - Connection mode
 - HDX** The connection mode is half-duplex.
 - FDX** The connection mode is full-duplex.
 - Connection protocol
 - SDLC** The connection protocol is SDLC.
 - BSC** The connection protocol is BSC.
 - S/S** The connection protocol is Start/Stop.
- PTP** Connection configuration is point-to-point.
- MTP** Connection configuration is multipoint.
- FPD** LPDA fault LSL descriptor.

Sense Data (Subvector X'7D')

Message DWO111I contains SNA sense data supplied by a node that could not satisfy a VPD request. The data is returned in subvector X'7D'.

The syntax of message DWO111I is:

REQID *reqid* : **SNS** *sensecode*

Where:

reqid

Is the ID that correlates this reply to a specific request.

sensecode

Is the 8-character hexadecimal sense code of the node that could not satisfy a VPD request.

Attached Device Configuration Data (Subvector X'82')

Message DWO101I contains data about the configuration of a device attached to the node that reports the VPD. The data is returned in subvector X'82'.

The syntax of message DWO101I is:

REQID *reqid* : *vpdfield=xxx* [...]

Where:

reqid

Is the ID that correlates this reply to a specific request.

vpdfield=xxx

Represents a combination of fields and values that describe the attached device. The message reflects all the data returned from the device. Depending on the device, different fields are used to build this portion of the message. All the fields returned from the device are used, even the fields that contain blanks or zeros.

The fields that can be contained in DWO101I are:

Field	Value
-------	-------

PORT Is the port number where this device is attached.

PWROS

Is the power-on status of this device.

PWROL

Specifies whether this device has been powered on since the last time a solicitation for VPD was issued.

Product Set Attributes (Subvector X'84')

Message DWO105I transports additional attributes describing the product set. The data is returned in subvector X'84'.

The syntax of message DWO105I is:

REQID *reqid* : *vpdfield=xxx* [...]

Where:

reqid

Is the ID that correlates this reply to a specific request.

vpdfield=xxx

Represents a combination of fields and values that describe the attached device.

The fields that can be contained in DWO105I are:

Field	Value
--------------	--------------

PHI	From 1–50 characters in character set 640 identifying the physical location of the product set.
------------	---

LAN	Six bytes identifying the LAN universally assigned address. The 6 bytes are unique across all LAN adapters whose addresses are controlled by the Institute of Electrical and Electronics Engineers (IEEE).
------------	--

Additional Product Set Attributes (Subvector X'86')

Message DWO106I reports the user-defined data. The message text is dynamically built from subvector X'86' that was embedded in a delivery RU from VTAM.

The syntax of message DWO106I is:

REQID *reqid* : *vpdfield=xxx* [...]

Where:

reqid

Is the ID that correlates this reply to a specific request.

vpdfield=xxx

Represents a combination of fields and values that describe the attached device.

The fields that can be contained in DWO106I are:

Field	Value
--------------	--------------

LBL	From 1–25 characters in character set 640 identifying the text of a label for a product set attribute.
------------	--

UDT	Characters 1–118 contain the data for a product set attribute.
------------	--

Note: The X'10' subfield of subvector X'86' contains the additional product data with maximum length 224. The first 118 characters are written to the UDT field and the last 106 characters are truncated.

Network Asset Management Command Lists

You can use the sample command lists as they are shipped to perform basic vital product data (VPD) collection. If the sample command lists do not suit your particular network asset management requirements, you can modify the existing command lists, or you can write your own.

Using the Sample Command Lists

The sample command lists assign a record type number to each VPD record logged into an external file. The record type number is set in the common global variable SMFVPD by CNMSTYLE.

The sample command lists set the record type number to the default of 37 and continue processing. Record type 37 is used for hardware monitor log records, and in this case, for vital product data.

The sample network asset management command lists are:

VPDLOGC

Generates and logs start and end records when called by the VPDALL command.

VPDPU

Collects and logs VPD from a specified PU (and optionally its ports) in your domain.

VPDDCE

Collects and logs VPD from all of the DCEs existing in a direct path between a specified NCP and PU in your domain.

VPDXDOM

Enables a focal point to collect VPD from devices attached to another NetView program, when you use it in conjunction with the VPDLOGC, VPDPU, and VPDDCE command lists and a NetView automation definition. VPDXDOM sets the record type number of NetView soliciting for VPD to that of the focal point NetView program. This ensures that all of the collected VPD is logged with the same record type number under the focal point NetView program.

Writing Command Lists

If you plan to write command lists to collect and log VPD:

1. Define the format of each type of log record you want to create.
2. Assign a record type number from 128–255 to each type of log record created.
3. Install an external logging facility if you want to log VPD into an external file. After logging data into an external file, you can manipulate the data using tools such as Service Level Reporter (SLR) or Information/Management for MVS.

Network Asset Management Record Formats

This section describes the format of the common prefix and the different subrecords. Each record written by a sample command list through the NetView

external logging facility consist of a common prefix (header), followed by variable data. The variable data is contained in one of the following subrecords:

- Start (subtype S)
- End (subtype E)
- PU hardware (subtype P)
- PU software (subtype F)
- DCE hardware (subtype M)
- Time-out (subtype T)
- User data (subtype U)
- Error (subtype W)

Each subrecord contains a collect identifier field. This field correlates the records written during the same data collection. The last two digits of the collect identifier indicate the method used to collect the data.

Common Record Prefix

Each record created by the sample command lists is preceded by a common record prefix, or header, which contains identifying information about the record. Table 16 is a format of this common prefix.

Table 16. Format of Common Record Prefix

Record Offset	Length in Bytes	Description
000	2	Record length
002	2	Reserved
004	1	Reserved
005	1	Record number
006	4	DATE (00yydddf)
010	4	TIME (sec/100)
014	4	System ID
018	4	Subsystem ID (set to VPD)
022	2	Subsystem record number (set to 22)

Start Subrecords

Start subrecords (subtype S) contain information about the start of data collection. Start subrecords are written by VPDLOGC, which is called by the VPDALL command at the start of data collection.

Table 17. Format of Start Subrecords

Record Offset	CMD Proc Offset	Length in Bytes	Description
024	001	1	Record subtype (S)
025	002	8	NetView program domain ID
033	010	12	Collect identifier (mmdyyhhmm99)
045	022	8	Operator ID
053	030	8	Req (set to VPDALL)
061	038	3	Trailer (set to VPD)

End Subrecords

End subrecords (subtype E) contain information about the end of data collection. End subrecords are written by VPDLOGC, which is called by the VPDALL command at the end of data collection.

Table 18. Format of End Subrecords

Record Offset	CMD Proc Offset	Length in Bytes	Description
024	001	1	Record subtype (E)
025	002	8	NetView program domain ID
033	010	12	Collect identifier (mmddyhhmm99)
045	022	8	Operator ID
053	030	12	End of collect (mmddyhhmss)
065	042	8	Record counter (see note 1)
073	050	8	Number of calls to VPDPU (see note 2)
081	058	8	Reserved
089	066	8	Number of calls to VPDDCE (see note 2)
097	074	8	Reserved
105	082	3	Trailer (set to VPD)
Notes:			
1.	This field contains the number of records, generated since the START subrecord, that can be written to an external logging facility. This field does not represent the number of records that were successfully written to the external logging facility.		
2.	This field contains the total number of calls made to the VPDPU or VPDDCE command list. It does not represent the number of successful completions of the command list.		

PU Hardware Subrecords

PU hardware subrecords (subtype P) contain information about the hardware characteristics of a PU. PU hardware subrecords are written by the VPDPU command list.

Table 19. Format of PU Hardware Subrecords

Record Offset	CMD Proc Offset	Length in Bytes	Description
024	001	1	Record subtype (P)
025	002	8	NetView program domain ID
033	010	12	Collect identifier (mmddyhhmm99)
045	022	5	Machine type
050	027	3	Machine model
053	030	3	Manufacturer ID
056	033	7	Sequence number
063	040	10	EC level
073	050	8	LU name

Table 19. Format of PU Hardware Subrecords (continued)

Record Offset	CMD Proc Offset	Length in Bytes	Description
081	058	8	PU name
089	066	8	Link name
097	074	8	PU type 4 or 5 name
105	082	6	Attached port number
111	088	1	Current power on status
112	089	1	Power on status since last solicitation
113	090	12	Universal LAN adapter address
125	102	8	Reserved
133	110	3	Trailer (set to VPD)
136	113	50	Physical location *
Note: You can set the fields identified by an (*).			

PU Software Subrecords

PU software subrecords (subtype F) contain information about the software characteristics of a PU. PU software subrecords are written by the VPDPDU command list.

Table 20. Format of PU Software Subrecords

Record Offset	CMD Proc Offset	Length in Bytes	Description
024	001	1	Record subtype (F)
025	002	8	NetView program domain ID
033	010	12	Collect identifier (mmdyyhhmm99)
045	022	9	Component ID
054	031	3	Release level
057	034	6	Customization date
063	040	5	Customization time
068	045	5	Reserved
073	050	8	LU name
081	058	8	PU name
089	066	8	Link name
097	074	8	PU type 4 or 5 name
105	082	3	Trailer (set to VPD)

DCE Hardware Subrecords

DCE hardware subrecords (subtype M) contain information about the hardware characteristics of a DCE. DCE hardware subrecords are written by the VPDDCE command list.

Table 21. Format of DCE Hardware Subrecords

Record Offset	CMD Proc Offset	Length in Bytes	Description
024	001	1	Record subtype (M)
025	002	8	NetView program domain ID
033	010	12	Collect identifier (mmddyhhmm99)
045	022	5	Machine type
050	027	3	Machine model
053	030	7	Serial number
060	037	1	Card EC level
061	038	1	Packaging EC level or micro code EC level
062	039	11	Reserved
073	050	8	Reserved
081	058	8	PU name
089	066	8	Link name
097	074	8	PU type 4 or 5 name
105	082	1	Total link segment level
106	083	1	Current link segment level
107	084	2	DCE address
109	086	1	DCE position (see note 1)
110	087	3	Trailer (set to VPD)
113	090	20	Link station attribute (see note 2)
133	110	Varied	DCE features (see note 2)
Notes:			
1.	This field contains a character that identifies the sequence in which the DCEs are connected. The possible values are 1, 2, 3, and 4, with 1 being the DCE closest to the NCP that solicited the VPD.		
2.	These fields can be defined by the user.		

Time-Out Subrecords

Time-out subrecords (subtype T) contain information about a VPD request that timed out before it was completed. Timeout subrecords are written by the VPDPDU or VPDDCE command lists when the you specify the ERROR option.

Table 22. Format of Time-Out Subrecords

Record Offset	CMD Proc Offset	Length in Bytes	Description
024	001	1	Record subtype (T)
025	002	8	NetView program domain ID
033	010	12	Collect identifier (mmddyhhmm99)
045	022	8	Operator ID
053	030	8	Request specified

Table 22. Format of Time-Out Subrecords (continued)

Record Offset	CMD Proc Offset	Length in Bytes	Description
061	038	8	Node name 1
069	046	8	Node name 2
077	054	3	Trailer (set to VPD)

User Data Subrecords

User data subrecords (subtype U) contain additional product set data for a specified PU. The user data subrecords are written by the VPDP command list.

Table 23. Format of User Data Subrecords

Record Offset	CMD Proc Offset	Length in Bytes	Description
024	001	1	Record subtype (U)
025	002	8	NetView program domain ID
033	010	12	Collect identifier (mmddyhhmm99)
045	022	25	User's label
070	047	118	User's data (see note)
188	165	3	Trailer (set to VPD)
Note: See message "DWO106I" on page 92 for more information.			

Error Subrecords

Error subrecords (subtype W) contain information about a VPD request that failed. Error subrecords are written by the VPDP or VPDDCE command lists when you specify the ERROR option.

Table 24. Format of Error Subrecords

Record Offset	CMD Proc Offset	Length in Bytes	Description
024	001	1	Record subtype (W)
025	002	8	NetView program domain ID
033	010	12	Collect identifier (mmddyhhmm99)
045	022	8	Operator ID
053	030	8	Request specified
061	038	8	Node name 1
069	046	8	Node name 2
077	054	8	Error message number
085	062	3	Trailer (set to VPD)

Appendix D. External Log Record Formats

This appendix is intended to help you write NetView application programs. It contains general-use programming interface and associated reference information. It also provides the various log record formats written to external logs. These external logs can be SMF logs on MVS, or user-written logs.

External Log Record Type 37

The hardware monitor writes record type 37, subtype 4 records to the external log. Each record is made up of data sections preceded by an external log record header and a data descriptor section. The BNJTBRF macro maps the hardware monitor external log record.

See “Network Asset Management Record Formats” on page 93 describing VPD that can be written as external log record type 37 (subtype 22).

Note: In the following tables, a type of BinCD means binary coded decimal, which is a numeric value coded in binary format.

Table 25. External Log Record Header Format for the Hardware Monitor

Offset Dec.	Offset Hex.	Length in Bytes	Field Name	Description	Type
000	000	2	BRFRLEN	Length of record including this header	BinCD
002	002	2	BRFRSEG	Segment descriptor	BinCD
004	004	1	BRFRFLG	System indicator	Hex
005	005	1	BRFRRTY	Record type [37 (X'25')]	BinCD
006	006	4	BRFRTME	Time since midnight, in hundredths of a second, record was moved into SMF buffer	Binary
010	00A	4	BRFRDTE	Date when the record was moved into the SMF buffer, in the form <i>00yydddF</i> or <i>0cyydddF</i> (where <i>c</i> is 0 for 19xx and 1 for 20xx, <i>yy</i> is the current year (0–99), <i>ddd</i> is the current day (1–366), and <i>F</i> is the sign)	Packed
014	00E	4	BRFRSID	System ID	Char
018	012	4	BRFRWID	Subsystem ID (set to 'NETV')	Char
022	016	2	BRFRSUBT	Record subtype (set to decimal 4)	BinCD

Table 26. Hardware Monitor Data Descriptor Format

Offset Dec.	Offset Hex.	Length in Bytes	Field Name	Description	Type
000	000	4	BRFPRODI	Displacement from start of external log header to section	BinCD
004	004	2	BRFPROLN	Length of product section	BinCD
006	006	2	BRFPRONO	Number of product sections (0 or 1)	BinCD

Table 26. Hardware Monitor Data Descriptor Format (continued)

Offset Dec.	Offset Hex.	Length in Bytes	Field Name	Description	Type
008	008	4	BRFALLDI	Displacement of common report from start of SMF header to section	BinCD
012	00C	2	BRFALLLN	Length of common section	BinCD
014	00E	2	BRFALLNO	Number of common sections (0 or 1)	BinCD
016	010	4	BRFEVTDI	Displacement of event report from start of SMF header to section	BinCD
020	014	2	BRFEVTLN	Length of event section	Num
022	016	2	BRFEVTNO	Number of event sections (0 or 1)	BinCD
024	018	4	BRFSTADI	Displacement of statistical report from start of SMF header to section	BinCD
028	01C	2	BRFSTALN	Length of statistical section	BinCD
030	01E	2	BRFSTANO	Number of statistical sections (0 or 1)	BinCD
032	020	4	BRFMODDI	Displacement of LPDA-1 modem report from start of SMF header to section	BinCD
036	024	2	BRFMODLN	Length of LPDA-1 modem section	BinCD
038	026	2	BRFMODNO	Number of LPDA-1 modem sections (0 or 1)	BinCD
040	028	4	BRFLPDDI	Displacement of LPDA-2 report from start of SMF header	BinCD
044	02C	2	BRFLPDLN	Length of LPDA-2 section	BinCD
046	02E	2	BRFLPDNO	Number of LPDA-2 sections	BinCD
048	030	4	BRFLANDI	Displacement of local area network report from start of SMF record	BinCD
052	034	2	BRFLANLN	Length of local area network section	BinCD
054	036	2	BRFLANNO	Number of local area network sections	BinCD
056	038	4	BRFGENDI	Displacement of generic event report	BinCD
060	03C	2	BRFGENLN	Length of generic event section	BinCD
062	03E	2	BRFGENNO	Number of generic event sections (0 or 1)	BinCD
064	040	4	BRFETHDI	Displacement of ETHERNET LAN DATA report	BinCD
068	044	2	BRFETHLN	Length of ETHERNET LAN DATA section	BinCD
070	046	2	BRFETHNO	Number of ETHERNET LAN DATA sections	BinCD
072	048	4	BRFSELDI	Displacement of self-defined text message report	BinCD
076	04C	2	BRFSELLN	Length of self-defined text message section	BinCD
078	04E	2	BRFSELNO	Number of self-defined text message sections	BinCD

Table 26. Hardware Monitor Data Descriptor Format (continued)

Offset Dec.	Offset Hex.	Length in Bytes	Field Name	Description	Type
080	050	4	BRFDETTI	Displacement of detailed data network subfield report	BinCD
084	054	2	BRFDETLN	Length of detailed data network subfield section	BinCD
086	056	2	BRFDETNO	Number of detailed data network subfield sections	BinCD

Table 27. Product Report Format

Offset Dec.	Offset Hex.	Length in Bytes	Field Name	Description	Type
000	000	2	BRFSUBTY	Record subtype (set to 4)	BinCD
002	002	2	BRFRELVL	NetView program release level (set to 32)	Char
004	004	4	BRFPRONM	Product name (set to 'NETV')	Char
008	008	8	BRFTIMST	Time stamp in form: 00YYDDDFHHMMSS0S	Packed

Table 28. Alert Report Format

Offset Dec.	Offset Hex.	Length in Bytes	Field Name	Description	Type
000	000	8	BRFDMNM	Domain name	Char
008	008	8	BRFFLRNM	Failing resource name	Char
016	010	4	BRFFLRTY	Failing resource type	Char
020	014	8	BRFHINM(1)	Resource level name 1	Char
028	01C	4	BRFHITY(1)	Resource level type 1	Char
032	020	8	BRFHINM(2)	Resource level name 2	Char
040	028	4	BRFHITY(2)	Resource level type 2	Char
044	02C	8	BRFHINM(3)	Resource level name 3	Char
052	034	4	BRFHITY(3)	Resource level type 3	Char
056	038	8	BRFHINM(4)	Resource level name 4	Char
064	040	4	BRFHITY(4)	Resource level type 4	Char
068	044	8	BRFHINM(5)	Resource level name 5	Char
076	04C	4	BRFHITY(5)	Resource level type 5	Char
080	050	1	BRFCPL	Complex link indicator (0=no 1=yes)	Hex
081	051	1	BRFALT	Alert indicator (0=no 1=yes)	Hex

Table 29. Generic Event Report Format

Offset Dec.	Offset Hex.	Length in Bytes	Field Name	Description	Type
000	000	1	BRFETYPE	Event type	Char
001	001	9	BRFPROID	Product ID	Char
010	00A	4	BRFALTID	Alert ID number	Char
014	00E	40	BRFDESC	Event description	Char
054	036	40	BRFCAUS1	First probable cause	Char
094	05E	8	BRFCDPTS	Probable-cause code points 2 to 5	Hex
102	066	2	BRFFLAGS	Generic flags	Char
104	068	2	BRFEDCP1	Event description code point	Hex
106	06A	2	BRFPCCP1	First probable cause code point	Hex

Table 30. Event Report Format

Offset Dec.	Offset Hex.	Length in Bytes	Field Name	Description	Type
000	000	1	BRFALRTT	Event type for event records	Hex
001	001	1	BRFGENCA	General cause for event records	Hex
002	002	1	BRFSPECA	Specific cause for event records	Hex
003	003	2	BRFBLKID	Block ID	Hex
005	005	1	BRFUACD	Action code	Hex
006	006	8	BRFUAQL1	Detail qualifier 1	Char
014	00E	8	BRFUAQL2	Detail qualifier 2	Char
022	016	8	BRFUAQL3	Detail qualifier 3	Char
030	01E	48	BRF48TXT	Error description: probable cause	Char
078	04E	2	BRFDBKID	Detail block ID	Hex
080	050	1	BRFDUACD	Detail action code	Hex
081	051	1	BRFNMJTY	NMVT type: X'00' NMVT 0000 X'01' NMVT 0001 X'02' NMVT 0025 X'0F' Miscellaneous NMVT X'FF' Non-NMVT	Hex

Table 31. Statistical Report Format

Offset Dec.	Offset Hex.	Length in Bytes	Field Name	Description	Type
000	000	4	BRFTRFFC	Total traffic	BinCD
004	004	2	BRFTEMPS	Total temporary errors	BinCD

Table 32. LPDA-1 Modem Report Format

Offset Dec.	Offset Hex.	Length in Bytes	Field Name	Description	Type
000	000	1	BRFFAIL	Failure indicator: X'00' N/A X'01' MODEMIPROBE X'02' LINE X'03' REMOTE DEVICE X'04' COMM (IF UNKNOWN) X'05' MODEM INTERFACE	Hex
001	001	1	BRFLNKTY	Link type X'01' BSC X'02' SDLC	Hex
002	002	1	BRFLMSIN	Local modem status indicator (includes modem speed): X'00' INVALID X'01' VALID	Hex
003	003	1	BRFRMSIN	Remote modem status indicator (includes modem speed): X'00' INVALID X'01' VALID	Hex
004	004	2	BRFMODAD	Modem address (typical X'C3F7' (C7))	Char
006	006	6	BRFMODTP	Modem type (machine number or 'N/AV')	Char
012	00C	4	BRFMODSP	Data rate ('FULL' or 'HALF')	Char
016	010	2	BRFLNQUL	Modem line quality local (0-15)	BinCD
018	012	2	BRFHTCTL	Modem line hits local (0-63, X'FF' for N/A). This field is model dependent.	BinCD
020	014	2	BRFLDBIN	Rec DB local indicator (N/A > < =): X'0000' N/A X'0001' REC > -4 X'0002' REC < -48 X'0003' REC LVL within limits	Hex
022	016	2	BRFLDBNO	Rec DB local number (signed decimal)	Hex
024	018	2	BRFLNQUR	Modem line quality remote (0-15)	BinCD
026	01A	2	BRFHTCTR	Modem line hits remote (0-63, X'FF' for N/A)	BinCD
028	01C	2	BRFRDBIN	Rec DB remote indicator (N/A > < =)	Hex
030	01E	2	BRFRDBNO	Rec DB remote number (signed decimal)	BinCD

Table 33. LPDA-2 Report Format

Offset Dec.	Offset Hex.	Length in Bytes	Field Name	Description	Type
000	000	1	BRFFAIND	Failure indicator: X'00' N/A X'01' MODEMIPROBE X'02' LINE X'03' REMOTE DEVICE X'04' COMM (IF UNKNOWN) X'05' MODEM INTERFACE	Hex
001	001	1	BRFLINK	Link type: X'01' BSC X'02' SDLC	Hex
002	002	1	BRFSENSE	Sense byte from DCE	Hex
003	003	2	BRFLADDR	Local DCE address (The right character indicates which link segment this DCE pair is located on, except when the local DCE is in idle state.)	Char
005	005	2	BRFRADDR	Remote DCE address	Char
007	007	3	-	Reserved	-
010	00A	30	BRFLOCAL	Local DCE report	Char
040	028	30	BRFRMT	Remote DCE report	Char

Table 34. Local and Remote Modem Reports

Offset Dec.	Offset Hex.	Length in Bytes	Field Name	Description	Type
000	000	4	BRFTYPE	Modem type	Char
004	004	2	BRFMODEL	Modem model - two EBCDIC numbers	Char
006	006	2	BRFLQ	Line quality: 0-15	BinCD
008	008	2	BRFWLQ	Worst line quality: 0-15	BinCD
010	00A	2	BRFIMP	Impulse hit count: 0-63	BinCD
012	00C	2	BRFRDBM	Receive level DBM	BinCD
014	00E	2	BRFMRDBM	Minimum receive level DBM	BinCD
016	010	6	BRFSPEED	Modem speed - 'FULL' or 'BACKUP'	Char
022	016	4	BRFACTSP	Actual modem speed (in bits per second)	BinCD
026	02A	1	BRFCTRL	Modem control: Point-to-point: X'01' Primary X'02' Secondary Multipoint: X'03' Control X'04' Tributary	Char

Table 34. Local and Remote Modem Reports (continued)

Offset Dec.	Offset Hex.	Length in Bytes	Field Name	Description	Type																																												
027	01B	1	BRFFEAIN	Features installed <table border="0"> <tr> <td>Bit</td> <td>Meaning</td> </tr> <tr> <td>0</td> <td>Coupler installed</td> </tr> <tr> <td>1</td> <td>Reserved</td> </tr> <tr> <td>2</td> <td>Integrated modem</td> </tr> <tr> <td>3</td> <td>Fan-out installed</td> </tr> <tr> <td>4–7</td> <td>Modem operating mode</td> </tr> <tr> <td>0000</td> <td>X6 14.4_9.6</td> </tr> <tr> <td>0001</td> <td>Undefined</td> </tr> <tr> <td>0010</td> <td>X6 14.4_14.4</td> </tr> <tr> <td>0011</td> <td>Undefined</td> </tr> <tr> <td>0100</td> <td>X7 19.2_9.6</td> </tr> <tr> <td>0101</td> <td>Undefined</td> </tr> <tr> <td>0110</td> <td>Undefined</td> </tr> <tr> <td>0111</td> <td>Undefined</td> </tr> <tr> <td>1000</td> <td>X5 9.6_9.6</td> </tr> <tr> <td>1001</td> <td>Undefined</td> </tr> <tr> <td>1010</td> <td>X5+ 9.6_9.6</td> </tr> <tr> <td>1011</td> <td>Undefined</td> </tr> <tr> <td>1100</td> <td>X4 4.8_4.8</td> </tr> <tr> <td>1101</td> <td>Undefined</td> </tr> <tr> <td>1110</td> <td>Undefined</td> </tr> <tr> <td>1111</td> <td>Undefined</td> </tr> </table>	Bit	Meaning	0	Coupler installed	1	Reserved	2	Integrated modem	3	Fan-out installed	4–7	Modem operating mode	0000	X6 14.4_9.6	0001	Undefined	0010	X6 14.4_14.4	0011	Undefined	0100	X7 19.2_9.6	0101	Undefined	0110	Undefined	0111	Undefined	1000	X5 9.6_9.6	1001	Undefined	1010	X5+ 9.6_9.6	1011	Undefined	1100	X4 4.8_4.8	1101	Undefined	1110	Undefined	1111	Undefined	Binary
Bit	Meaning																																																
0	Coupler installed																																																
1	Reserved																																																
2	Integrated modem																																																
3	Fan-out installed																																																
4–7	Modem operating mode																																																
0000	X6 14.4_9.6																																																
0001	Undefined																																																
0010	X6 14.4_14.4																																																
0011	Undefined																																																
0100	X7 19.2_9.6																																																
0101	Undefined																																																
0110	Undefined																																																
0111	Undefined																																																
1000	X5 9.6_9.6																																																
1001	Undefined																																																
1010	X5+ 9.6_9.6																																																
1011	Undefined																																																
1100	X4 4.8_4.8																																																
1101	Undefined																																																
1110	Undefined																																																
1111	Undefined																																																
028	01C	1	BRFFEAEER	Features in error <table border="0"> <tr> <td>Bit</td> <td>Meaning</td> </tr> <tr> <td>0</td> <td>Coupler in error</td> </tr> <tr> <td>1</td> <td>Reserved</td> </tr> <tr> <td>2</td> <td>Reserved</td> </tr> <tr> <td>3</td> <td>Fan-out in error</td> </tr> <tr> <td>4</td> <td>Reserved</td> </tr> <tr> <td>5</td> <td>Modem in idle state</td> </tr> <tr> <td>6</td> <td>Nonvital data lost</td> </tr> <tr> <td>7</td> <td>Base modem error</td> </tr> </table>	Bit	Meaning	0	Coupler in error	1	Reserved	2	Reserved	3	Fan-out in error	4	Reserved	5	Modem in idle state	6	Nonvital data lost	7	Base modem error	Binary																										
Bit	Meaning																																																
0	Coupler in error																																																
1	Reserved																																																
2	Reserved																																																
3	Fan-out in error																																																
4	Reserved																																																
5	Modem in idle state																																																
6	Nonvital data lost																																																
7	Base modem error																																																
029	01D	1	–	Reserved	–																																												

Table 35. Local and Remote DSU/CSU Reports

Offset Dec.	Offset Hex.	Length in Bytes	Field Name	Description	Type
000	000	4	BRFDTYPE	DSU/CSU type	Char
004	004	2	BRFDMODL	DSU/CSU model - Two EBCDIC numbers	Char
006	006	2	BRFDLQ	Line quality: 0-14 (15=N/AV)	BinCD
008	008	2	BRFDWLQ	Worst line quality: 0-14 (15=N/AV)	BinCD
010	00A	2	BRFDBIPC	Bipolar code errors: 0-63 NOTE: number reported = integer ((actual number - 1) * 2400 / transmit speed) + 1	BinCD
012	00C	10	–	Reserved	–

Table 35. Local and Remote DSU/CSU Reports (continued)

Offset Dec.	Offset Hex.	Length in Bytes	Field Name	Description	Type
022	016	4	BRFDACTS	Actual DSU/CSU speed (in bits per second)	BinCD
026	02A	1	BRFDCTRL	DSU/CSU control: Point-to-point: X'01' Primary X'02' Secondary Multipoint: X'03' Control X'04' Tributary	Hex
027	01B	1	BRFDIND	Indicators: Bit Meaning 0 Out of service code received 1 Out of frame code received 2 DDS-initiated loopback 3 DSU/CSU failure 4 DSU/CSU in idle state 5 Integrated DSU/CSU 6 Reserved 7 Reserved	Binary
028	01C	2	–	Reserved	–

Table 36. Local Area Network Report

Offset Dec.	Offset Hex.	Length in Bytes	Field Name	Description	Type
000	000	6	BRFLMADR	Local mac address	Hex
006	006	6	BRFRMADR	Remote mac address	Hex
012	00C	18	BRFROUTI	Routing information	Hex
030	01E	6	BRFUPADR	Mac address of upstream member	Hex
036	024	6	BRFDNADR	Mac address of downstream member	Hex
042	02A	6	BRFSMADR	Single mac address	Hex
048	030	16	BRFSMNAM	Single mac name	Char
064	040	2	BRFRIBID	Ring or BUS ID	Hex

Table 37. ETHERNET LAN Data Report Format

Offset Dec.	Offset Hex.	Length in Bytes	Field Name	Description	Type
000	000	6	BRFLMADE	Local mac address	Hex
006	006	6	BRFRMADE	Not used	Hex
012	00C	18	BRFRROUTE	Not used	Hex
030	01E	6	BRFUPADE	Not used	Hex
036	024	6	BRFDNADE	Not used	Hex
042	02A	6	BRFSMADE	Not used	Hex

Table 37. ETHERNET LAN Data Report Format (continued)

Offset Dec.	Offset Hex.	Length in Bytes	Field Name	Description	Type
048	030	16	BRFSMNAE	Not used	Char
064	040	1	BRFMCTPE	Mac type	Hex

Table 38. Self-defining Text Message Report Format

Offset Dec.	Offset Hex.	Length in Bytes	Field Name	Description	Type
000	000	275	BRFTEXT	Self-defining text message	Char
Note: If the major vector contains multiple X'31' self-defining text subvectors, this field only contains the self-defining text from the first X'31' subvector.					

Table 39. Detailed Data Network Alert Report Format

Offset Dec.	Offset Hex.	Length in Bytes	Field Name	Description	Type
000	000	002	BRFDENUM	Number of detailed data network subfields	BinCD
002	002	253	BRFDEDAT	Detailed data network subfields	Char
Notes: <ul style="list-style-type: none"> • Only detailed data subfields not associated with qualified message data are supported. • The BRFDEDAT field can contain more than one subfield with each subfield preceded by a field containing the length of the subfield (see Table 40 for the structure of the BRFDEDAT field). 					

Table 40. BRFDEDAT Mapping

Offset Dec.	Offset Hex.	Length in Bytes	Field Name	Description	Type
000	000	2	BRFDATLN	Number of bytes of data contain in BRFDATTX	BinCD
002	002	<i>n</i>	BRFDATTX	Detailed data network subfield, where <i>n</i> is the value stored in BRFDATLN (see notes)	Char
Notes: <ul style="list-style-type: none"> • This structure is repeated <i>z</i> times in BRFDEDAT, where <i>z</i> is the value stored in BRFDENUM (see Table 39). • The length of the detailed data network subfields can vary; the length value is stored in the BRFDATLN field associated with each subfield. 					

External Log Record Type 38

This section describes the content and format of external log record type 38 (X'26'). Three subtypes are documented:

Subtype 1

Command authorization table

Subtype 2

Task resource utilization data

Subtype 3

Span authorization table

NetView Command Authorization Table External Log Record

The command authorization table external log record type 38, subtype 1 contains a common header, a specific data descriptor section, and other information sections that are defined by the data descriptor section:

For format of...	See...
Common header	Table 41 on page 109
Common product section	Table 42 on page 109
Data descriptor section	Table 43 on page 110
General section	Table 44 on page 110
Data section	Table 45 on page 111

Subtype 1 external log record type 38 is generated by auditing the NetView command authorization table, which is controlled globally by the NetView DEFAULTS CATAUDIT command or specifically by using the AUDIT keyword on the PERMIT and EXEMPT statements in the NetView command authorization table. Refer to “Controlling Access to Commands” in the *Tivoli NetView for OS/390 Administration Reference* for a description of the PERMIT and EXEMPT statements and the NetView on-line help for the syntax of the DEFAULTS command.

NetView Task Resource-Utilization-Data External Log Record

The task resource-utilization-data external log record type 38, subtype 2 contains a common header, a specific data descriptor section, and other information sections defined by the data descriptor section:

For format of...	See...
Common header	Table 41 on page 109
Common product section	Table 42 on page 109
Data descriptor section	Table 46 on page 112
General section	Table 47 on page 112
Data section	Table 48 on page 113

NetView Span Authorization Table External Log Record

The span authorization table external log record type 38, subtype 3 contains a common header, a specific data descriptor section, and other information sections defined by the data descriptor section:

For format of...	See...
Common header	Table 41 on page 109
Common product section	Table 42 on page 109
Data descriptor section	Table 49 on page 117
General section	Table 50 on page 118
Access section	Table 51 on page 118
Resource/View name section	Table 52 on page 119

For format of...	See...
Operator section	Table 53 on page 120
Matching information section	Table 54 on page 120

Record Header and Section Formats

The following common record header and product information sections make up an external log record type 38.

Table 41. Format of Record Type 38 Header

Offset Dec.	Offset Hex.	Length in Bytes	Name	Description	Type
000	000	2	S38LENG	Length of record	Binary
002	002	2	S38SEGD	SMF segment descriptor	Binary
004	004	1	S38SYSI	System indicator	Binary
005	005	1	S38RECT	Record type [38 (X'26')]	Binary
006	006	4	S38TIME	Time since midnight, in hundredths of a second, record was moved into SMF buffer	Binary
010	00A	4	S38DATE	Date when the record was moved into the SMF buffer, in the form <i>00yydddF</i> or <i>0cyydddF</i> (where <i>c</i> is 0 for 19xx and 1 for 20xx, <i>yy</i> is the current year (0-99), <i>ddd</i> is the current day (1-336), and <i>F</i> is the sign)	Packed
014	00E	4	S38SYID	System identification	Char
018	012	4	S38SUBS	Subsystem identification: "NETV"	Char
022	016	2	S38SUBT	Record subtype: X'0001' Command authorization table record X'0002' Task resource utilization data X'0003' Dynamic span table record	Binary
024	018	—	—	Start of variable length data	—

Table 42. Format of Common Product Section

Offset Dec.	Offset Hex.	Length in Bytes	Name	Description	Type
000	000	2	S38CVER	Record version number	Binary
002	002	4	S38CPNM	Product name (NETV)	Char
006	006	2	S38CPVR	Product version and release, in the format <i>vr</i> , where <i>v</i> is version and <i>r</i> is release.	Char

Specific Subtype 1 Section Formats

The following tables contain specific command authorization table external log record (subtype 1) formats.

Table 43. Format of Subtype 1 Data Descriptor Section

Offset Dec.	Offset Hex.	Length in Bytes	Name	Description	Type
000	000	2	S38TRNUM	Total number of triplets	Binary
002	002	2	—	Reserved	Binary
004	004	4	S38PROFF	Offset to Product section	Binary
008	008	2	S38PRLLEN	Length of Product section	Binary
010	00A	2	S38PRNUM	Number of Product sections	Binary
012	00C	4	S38GOFF	Offset to General section	Binary
016	010	2	S38GLEN	Length of General section	Binary
018	012	2	S38GNUM	Number of General sections	Binary
020	014	4	S38COFF	Offset to Command section	Binary
024	018	2	S38CLEN	Length of Command section	Binary
026	01A	2	S38CNUM	Number of Command sections	Binary
028	01C	4	S38KOFF	Offset to Keyword section	Binary
032	020	2	S38KLEN	Length of Keyword section	Binary
034	022	2	S38KNUM	Number of Keyword sections	Binary
036	024	4	S38VOFF	Offset to Value section	Binary
040	028	2	S38VLEN	Length of Value section	Binary
042	02A	2	S38VNUM	Number of Value sections	Binary
044	02C	4	S38IOFF	Offset to command identifier	Binary
048	030	2	S38ILEN	Length of command identifier	Binary
050	032	2	S38INUM	Number of command identifier sections	Binary
052	034	4	S38UOFF	Offset to User ID section	Binary
056	038	2	S38ULEN	Length of User ID section	Binary
058	03A	2	S38UNUM	Number of User ID sections	Binary
060	03C	4	S38CAOFF	Offset to Caller section	Binary
064	040	2	S38CALEN	Length of Caller section	Binary
066	042	2	S38CANUM	Number of Caller sections	Binary

Table 44. Format of Subtype 1 General Section

Offset Dec.	Offset Hex.	Length in Bytes	Name	Description	Type
000	000	8	S38CTNM	Name of the NetView command authorization table	Char
008	008	8	S38CDOM	Domain where the NetView command authorization table is loaded	Char
016	010	17	S38CTTM	Time that this NetView command authorization table was loaded, in the format:MM/DD/YY HH:MM:SS	Char

Table 44. Format of Subtype 1 General Section (continued)

Offset Dec.	Offset Hex.	Length in Bytes	Name	Description	Type
033	021	3	S38CHPA	If the authorization decision was PASS, this field describes how the PASS decision was authorized: PER by PERMIT statement EXE by EXEMPT statement	Char
036	024	4	S38CDEC	Authority decision, "PASS" or "FAIL"	Char
040	028	8	S38CMTY	Match type: SPECIFIC The command is explicitly protected by a command identifier that exactly matches the command being checked. GENERIC The command is protected by a command identifier that contains a generic character in one or more <i>command</i> , <i>keyword</i> , or <i>value</i> field.	Char

Table 45. Format of Subtype 1 Data Section

Located By	Name	Type	Description
S38COFF	S38CCOM	Char	The command that is being protected by a command identifier
S38KOFF	S38CKEY	Char	The keyword that is being protected by a command identifier
S38VOFF	S38CVAL	Char	The value that is being protected by a command identifier
S38IOFF	S38CCI	Char	The command identifier that caused this authorization check to fail or pass. The format is: <i>netid.luname.cmd.keyword.value</i>
S38UOFF	S38CUSER	Char	The user ID that is being checked
S38CAOFF	S38CCALR	Char	The user ID of the CALLER of the table authority check (see notes)
Notes:			
<ul style="list-style-type: none"> This section is the variable length data that follows the S38CMTY field of the general section for the command authorization table (subtype 1) external log record type 38. S38CCALR is only present when the CALLER differs from the user ID that is in S38CUSER. The CALLER may differ from S38CUSER when AUTHCHK=SOURCEID checking is in effect. 			

Specific Subtype 2 Section Formats

The following tables contain specific task resource-utilization-data external log record (subtype 2) formats.

Note: For additional help understanding this data, look at the CNME1101 NetView REXX sample.

Table 46. Format of Subtype 2 Data Descriptor Section

Offset Dec.	Offset Hex.	Length in Bytes	Name	Description	Type
0000	0000	2	S38TRNUM2	Total number of triplets (X'0003')	Binary
0002	0002	2	—	Reserved	Binary
: Triplet 1 - Product Section					
0004	0004	4	S38PROFF2	Offset to product section	Binary
0008	0008	2	S38PRLLEN2	Length of product section (X'0008')	Binary
0010	000A	2	S38PRNUM2	Number of product sections (X'0001')	Binary
: Triplet 2 - General Section					
0012	000C	4	S38GOFF2	Offset to general section	Binary
0016	0010	2	S38GLEN2	Length of general section (X'0034')	Binary
0018	0012	2	S38GNUM2	Number of general sections (X'0001')	Binary
: Triplet 3 - Data Section					
0020	0014	4	S38DOFF2	Offset to data section	Binary
0024	0018	2	S38DLEN2	Length of data section (X'0060')	Binary
0026	001A	2	S38DNUM2	Number of product sections (X'0001')	Binary

Table 47. Format of Subtype 2 General Section

Offset Dec.	Offset Hex.	Length in Bytes	Name	Description	Type
0000	0000	2	S38TUver	Record Version Number	Binary
0002	0002	2	S38TUEvent	One of the following event codes: 1 LOGOFF or task ABENDED 2 Session ended, task ABENDED, and reinstated 3 Task terminated by STOP UNCOND 4 Task statistics at CLOSE NORMAL checkpoint 5 Task statistics at CLOSE STOP checkpoint 6 Task statistics at CLOSE IMMED checkpoint 7 Task statistics at CLOSE ABEND checkpoint 8 Task statistics at LOGTSTAT checkpoint 9 Task start events 10 Task statistics at interval	Binary
0004	0004	8	S38TUopid	Owning or billable operator ID The task name or operator ID (TVBOPID).	Char

Table 47. Format of Subtype 2 General Section (continued)

Offset Dec.	Offset Hex.	Length in Bytes	Name	Description	Type
0012	000C	8	S38TUlname	LU name The task name or terminal name connected to the task (TVBLUNAM).	Char
0020	0014	8	S38TUdomain	NetView domain name The NetView domain name in which the task ran.	Char
0028	001C	8	S38TUunique	NetView domain session correlation Each NetView has a different value for this field, and each time NetView is started, this value is changed. Records with the same value came from the same NetView and ran in the same address space.	Binary
0036	0024	8	S38TUssid	NetView subtask session correlation Each task has a different value for this field, and each time the task starts, this value is changed. Records with the same value came from the same task and ran in the same "session." Recovery of an abend is treated as the same session.	Binary
0044	002C	8	S38TUstck	Current STCK value for data The internal hardware clock at the time the data was recorded. (The store clock was shifted 12 bits to the right.)	Binary

Table 48. Format of Subtype 2 Data Section

Offset Dec.	Offset Hex.	Length in Bytes	Name	Description	Type
0000	0000	2	S38TUdataVer	Record version number	Binary
0002	0002	2	S38TUmaxCPU	Maximum CPU percentage (hundredths of percent) The maximum measured CPU during a 10 second interval since the task began, or since the last LOGTSTAT RESETMAX or LOGTSTAT INTERVAL command.	Binary
0004	0004	4	S38TUsessSec	Task session time in seconds	Binary

Table 48. Format of Subtype 2 Data Section (continued)

Offset Dec.	Offset Hex.	Length in Bytes	Name	Description	Type
0008	0008	4	S38TUsessFrac	<p>Task time fraction of one second in microseconds</p> <p>The elapsed time the task has run in seconds plus microseconds. The microseconds field provides accurate timing for short intervals. Note: These two fields are not a double-word pair containing microseconds. See sample CNME1101 for algorithms in REXX for timing arithmetic.</p>	Binary
0012	000C	4	S38TUcpuSec	CPU units used in seconds	Binary
0016	0010	4	S38TUcpufrac	<p>CPU time fraction of one second in microseconds</p> <p>The amount of CPU time charged to this task by MVS. The microseconds field provides accurate timing for short intervals. Note: These two fields are not a double-word pair containing microseconds. See sample CNME1101 for algorithms in REXX for timing arithmetic.</p>	Binary
0020	0014	4	S38TUpnSec	Penalty time in seconds	Binary
0024	0018	4	S38TUpnFrac	<p>Penalty time fraction of one second in microseconds</p> <p>The number of seconds that this task has waited due to MAXMQIN, AVLSLOW, SLOWSTG, MAXCPU, MAXMQOUT, or MAXIO penalties. The microseconds field provides accurate timing for short intervals. Note: These two fields are not a double-word pair containing microseconds. See sample CNME1101 for algorithms in REXX for timing arithmetic.</p>	Binary
0028	001C	2	S38TUavgCPU	<p>Average CPU utilization in hundredths of percent</p> <p>The percentage of a CPU this task has used. The ratio of Used CPU to Session Seconds.</p>	Binary
0030	001E	2	S38TUpnPct	<p>Average penalty imposed in hundredths of percent</p> <p>The percentage of elapsed time that this task has waited for penalties. The ratio of Penalty Seconds to Session Seconds.</p>	Binary

Table 48. Format of Subtype 2 Data Section (continued)

Offset Dec.	Offset Hex.	Length in Bytes	Name	Description	Type
0032	0020	4	S38TUmaxStg	Maximum storage used The largest usage of storage for this task since the task was started or since the last LOGTSTAT RESETMAX or LOGTSTAT INTERVAL command.	Binary
0036	0024	4	S38TUgetRate	Total DSIGET usage rate in KB per minute The average rate (for the life of the task) at which storage was obtained by DSIGET, in KB per minute.	Binary
0040	0028	4	S38TUfreRate	Total DSIFRE usage rate in KB per minute The average rate (for the life of the task) at which storage was released by DSIFRE, in KB per minute.	Binary
0044	002C	4	S38TU24gRate	A 24-bit DSIGET usage rate in KB per minute The average rate (for the life of the task) at which storage was obtained by DSIGET, in KB per minute (24-bit storage only).	Binary
0048	0030	4	S38TU24fRate	A 24-bit DSIFRE usage rate in KB per minute The average rate (for the life of the task) at which storage was released by DSIFRE, in KB per minute (24-bit storage only).	Binary
0052	0034	4	S38TUmxmiRate	Maximum inbound DSIMQS rate in KB per minute The maximum rate, over a one-minute period, at which messages were queued to this task by DSIMQS, in KB per minute. This is the maximum rate since the task started, or since the last LOGTSTAT RESETMAX or LOGTSTAT INTERVAL command.	Binary
0056	0038	4	S38TUmqiRate	Average inbound DSIMQS rate in KB per minute The rate, over the life of the task, at which messages were queued to this task by DSIMQS, in KB per minute.	Binary

Table 48. Format of Subtype 2 Data Section (continued)

Offset Dec.	Offset Hex.	Length in Bytes	Name	Description	Type
0060	003C	4	S38TUmxmRate	Maximum outbound DSIMQS rate The maximum rate (for a 1 minute period) at which messages were sent by this task by DSIMQS, in KB per minute. This is the maximum rate since the task started, or since the last LOGTSTAT RESETMAX or LOGTSTAT INTERVAL command.	Binary
0064	0040	4	S38TUmqoRate	Average outbound DSIMQS rate The rate, over the life of the task, at which messages were sent by this task by DSIMQS, in KB per minute.	Binary
0068	0044	4	S38TUmqiTot	Number of inbound DSIMQS messages The rate, over the life of the task, at which messages were sent to this task by DSIMQS, in KB per minute.	Binary
0072	0048	4	S38TUmqoTot	Number of outbound DSIMQS messages The number of messages sent by this task over the life of the session.	Binary
0076	004C	4	S38TUioTot	Number of DASD I/Os The total number of I/Os done by NetView services on this task for the life of this task.	Binary
0080	0050	4	S38TUmxiorate	Maximum I/O rate (I/Os per minute) The maximum rate of I/Os per minute in a 1 minute interval since the task was started or since the last LOGTSTAT RESETMAX or LOGTSTAT INTERVAL command.	Binary
0084	0054	4	S38TUioRate	Average I/O rate (I/Os per minute) The average rate of I/Os per minute for the life of the task.	Binary
0088	0058	4	S38TUmqiPNs	Penalties caused by task (bytes per second)	Binary

Table 48. Format of Subtype 2 Data Section (continued)

Offset Dec.	Offset Hex.	Length in Bytes	Name	Description	Type
0092	005C	4	S38TUmqiPNm	<p>Penalties caused by the task, fraction of 1 second (bytes per microsecond)</p> <p>The total number of penalty seconds that this task caused other tasks to wait due to this task's MAXMQIN, SLOWSTG, or AVLSLOW limit being exceeded. A penalty time is served when a DSIMQS from another task is sent to the task that is over any of these limits. The microseconds field provides accurate timing for short intervals.</p> <p>Note: These two fields are not a double-word pair containing microseconds. See sample CNME1101 for algorithms in REXX for timing arithmetic.</p>	Binary

Specific Subtype 3 Section Formats

The following tables contain specific span authorization table external log record (subtype 3) formats.

Table 49. Format of Subtype 3 Data Descriptor Section

Offset Dec.	Offset Hex.	Length in Bytes	Description	Type
0000	0000	2	Total number of triplets (X'0006')	Binary
0002	0002	2	Reserved	
:				
0004	0004	4	Offset to product section	Binary
0008	0008	2	Length of product section (X'0008')	Binary
0010	000A	2	Number of product sections (X'0001')	Binary
:				
0012	000C	4	Offset to general section	Binary
0016	0010	2	Length of general section (X'0022')	Binary
0018	0012	2	Number of general sections (X'0001')	Binary
:				
0020	0014	4	Offset to access section	Binary
0024	0018	2	Length of access section (X'0014')	Binary
0026	001A	2	Number of access sections (X'0001')	Binary
:				
0028	001C	4	Offset to resource/view name section	Binary
0032	0020	2	Length of resource/view name section	Binary

Table 49. Format of Subtype 3 Data Descriptor Section (continued)

Offset Dec.	Offset Hex.	Length in Bytes	Description	Type
0034	0022	2	Number of resource/view name sections (X'0001')	Binary
:				
0036	0024	4	Offset to operator section	Binary
0040	0028	2	Length of operator section	Binary
0042	002A	2	Number of operator sections (X'0001')	Binary
:				
0044	002C	4	Offset to matching information section	Binary
0048	0030	2	Length of matching information section	Binary
0050	0032	2	Number of matching information sections (X'0001')	Binary

Table 50. Format of Subtype 3 General Section

Offset Dec.	Offset Hex.	Length in Bytes	Description	Type
0000	0000	8	Span table name or VTAMLST	Char
0008	0008	8	NetView domain name where the span table is loaded	Char
0016	0010	17	Date/time when this span table or VTAMLST is loaded in <i>MM/DD/YY HH:MM:SS</i> format	Char
0033	0021	1	Reserved	

Table 51. Format of Subtype 3 Access Section

Offset Dec.	Offset Hex.	Length in Bytes	Description	Type
0000	0000	4	Access decision PASS or FAIL	Char
0004	0004	4	Request origin: CMD Request from commands VIEW Request from NetView management console views	Char
0008	0008	4	Type of name: RESC Resource name VIEW NetView management console view name	Char

Table 51. Format of Subtype 3 Access Section (continued)

Offset Dec.	Offset Hex.	Length in Bytes	Description	Type
0012	000C	8	Reason for PASS or FAIL: NOACTIVE Operator has no active span NO MATCH No match found RESCSTOP Resource has been stopped GEN NAME For CTL=GENERAL, name defined generically to another span DEF NAME For CTL=GENERAL, name defined specifically to another span RDMQFAIL RODM query failed RDMNONAM No name defined to RODM object INVALLEN For a VIEW request, the resource or view name has a zero length GLOB MAT Operator has CTL=GLOBAL GLOBVTAM Operator has CTL=GLOBAL and the command entered is a VTAM command SPEC MAT Name matches a specifically defined name GENR MAT Name matches a generically defined name GLSA MAT Name matches a leading single asterisk name GLDA MAT Name matches a leading double asterisk name NMNOTDEF For CTL=GENERAL (PASS), name not defined to NetView NOSPDEF For CTL=SPECIFIC (FAIL) and CTL=GENERAL (PASS), no span definition in use DBCSNAME No specific match found for a DBCS name; no generic match done for a DBCS name	

Table 52. Format of Subtype 3 Resource/View Name Section

Offset Dec.	Offset Hex.	Length in Bytes	Description	Type
0000	0000	2	Length of the resource or view name that follows; can be 0	Binary

Table 52. Format of Subtype 3 Resource/View Name Section (continued)

Offset Dec.	Offset Hex.	Length in Bytes	Description	Type
0002	0002		If the length is nonzero, the resource or view name. If the operator has CTL=GLOBAL and reason for matching is GLOBVTAM, this field can have a group of resource names, separated by commas.	Char

Table 53. Format of Subtype 3 Operator Section

Offset Dec.	Offset Hex.	Length in Bytes	Description	Type
0000	0000	8	Operator ID, padded with blanks	Char
0008	0008	4	Operator CTL setting: GLOB Global SPEC Specific GENL General	Char
0012	000C	2	Number of active spans that the operator has; can be 0	Binary
0014	000E		If the number of active spans is nonzero, the operator's active spans; each span is 8-bytes long padded with blanks	Binary

Table 54. Format of Subtype 3 Matching Section

Offset Dec.	Offset Hex.	Length in Bytes	Description	Type
0000	0000	4	Reserved for NetView internal use	Char
0004	0004	8	Span name in which the match is found; *GLOBAL* means the operator has CTL=GLOBAL; blanks indicate no match was found	Char
0012	000C	2	Length of the resource or view name that matches; 0 indicates failure for CTL=SPECIFIC	Binary
0014	000E		If the length is nonzero, the resource or view name that was matched	Char

External Log Record Type 39

The session monitor writes log record type 39 to an external log under the following conditions:

- When an operator or command list issues a RECORD command with the STRGDATA parameter, NetView writes a counter record type 39 (X'27') to the external log.
- When the network accounting and availability measurement function is active, it writes an external log record type 39 (X'27') when a session is started, a session is ended, or a RECORD command with the SESSTATS parameter is issued.
- When the response time data function is active, it writes an external log record type 39 (X'27') when you issue the COLLECT command with the LOG parameter, or at session end for an LU attached to a PU with the RTM feature.

Each record is made up of data sections preceded by an external log record header and a data descriptor section.

The AAUTLOGR macro maps the session monitor external log record.

Record Subtypes

The session monitor writes one of the following type 39 (X'27') records to the external log:

- RTM collection record
- Session end record
- Session start record
- Accounting and availability data collection record
- Combined session start-end record
- BIND failure record
- INIT failure record
- Storage and event counters

Each record is divided into sections. The functions described in the following sections are shown in more detail in “Record Section Formats” on page 123.

RTM Collection Record (Subtype X'0001')

With the response time measurement function active, NetView writes an RTM collection record to the external log. This happens whenever an operator or a command list issues a COLLECT command with the LOG parameter. The five data sections of the RTM collection record are:

- Product ID section
- Session configuration data
- Session route data
- Session response time data
- Advanced Peer-to-Peer Network (APPN) route data, if this is an APPN session

Session End Record (Subtype X'0002')

When the session monitor network accounting and availability measurement function is active, NetView writes a session end record to the external log when a session ends. The six data sections of the session end record are:

- Product ID section
- Session configuration data
- Session route data
- Session response time data
- Accounting and availability data
- APPN route data, if this is an APPN session

The session response time data section is provided only if response time monitoring is active.

Session Start Record (Subtype X'0003')

When the session monitor network accounting and availability measurement function is active, NetView writes a session start record to the external log when a new session starts. The five data sections of the session start record are:

- Product ID section
- Session configuration data

- Session route data
- Accounting and availability data
- APPN route data, if this is an APPN session

Accounting and Availability Data Collection Record (Subtype X'0004')

When the session monitor network accounting and availability measurement function is active, NetView writes an accounting and availability data collection record to the external log. This occurs whenever an operator or a command list issues the RECORD command with the SESSTATS parameter. The four data sections of the accounting and availability data collection record are:

- Product ID section
- Session configuration data
- Accounting and availability data
- APPN route data, if this is an APPN session

Combined Session Start-End Record (Subtype X'0005')

When the session monitor network accounting and availability measurement function or the response time monitor function is active, NetView writes a combined session start-end record. This record is written when a session ends before NetView has a chance to write the session start record for that session, or when the response time monitor function is active and the network accounting and availability function is inactive. The six data sections of the combined session start-end record are:

- Product ID section
- Session configuration data
- Session route data
- Session response time data
- Accounting and availability data
- APPN route data, if this is an APPN session

The session response time data section is provided only if response time monitoring is active.

BIND Failure Record (Subtype X'0006')

When the session monitor network accounting and availability measurement function is active, NetView writes a BIND failure record to the external log whenever a session setup fails during the BIND flow. The four data sections of the BIND failure record are:

- Product ID section
- Session configuration data
- Session route data
- APPN route data, if this is an APPN session

INIT Failure Record (Subtype X'0007')

When the session monitor network accounting and availability measurement function is active, NetView writes an INIT failure record to the external log whenever a session setup fails during the INIT flow. The four data sections of the INIT failure record are:

- Product ID section
- Session configuration data
- Session route data

- APPN route data, if this is an APPN session

Storage and Event Counter Record (Subtype X'0008')

NetView writes a counter record to the external log whenever an operator or a command list issues a RECORD command with the STRGDATA parameter. The five data sections of the counter record are:

- Product ID section
- Event counter data
- Session awareness counter data
- Resource counter data
- Storage data

Record Section Formats

NetView builds the external log records by adding combinations of the following data sections to the external log record header section and the data descriptor section:

- Product ID section
- Session route data section
- Session configuration data section
- Response time data section
- Accounting and availability data section
- Event counter data section
- Session awareness counter data section
- Resource counter data section
- Storage data section
- APPN route data section

The detailed format of each section follows:

Header and Data Descriptor Data Sections

This topic describes the formats of the session monitor external log record header section and data descriptor sections. Each external log record has a header section and a data descriptor section. There are two data descriptor section formats:

- Response Time and Accounting Data (see Table 56 on page 124)
- Storage and Event Counter Data (see Table 57 on page 125)

Table 55. Format of the External Log Record Header Format for the Session Monitor

Offset Dec.	Offset Hex.	Length in Bytes	Field Name	Description	Type
000	000	2	LOGRLENG	Record length	Binary
002	002	2	LOGRSEGD	Segment descriptor	Binary
004	004	1	LOGRSYSI	System indicator: (X'04' for MVS)	Binary
005	005	1	LOGRRECT	Record type (X'27')	Binary
006	006	4	LOGRTIME	Time since midnight, in hundredths of a second, record was moved into SMF buffer	Binary

Table 55. Format of the External Log Record Header Format for the Session Monitor (continued)

Offset Dec.	Offset Hex.	Length in Bytes	Field Name	Description	Type
010	00A	4	LOGRDATE	Date when the record was moved into the SMF buffer, in the form <i>00yydddF</i> or <i>0cyydddF</i> (where <i>c</i> is 0 for 19xx and 1 for 20xx, <i>yy</i> is the current year (0–99), <i>ddd</i> is the current day (1–336), and <i>F</i> is the sign)	Packed
014	00E	4	LOGRSYID	System identification (taken from SID parameter)	Char
018	012	4	LOGRSUBS	Subsystem ID 'NETV'	Char
022	016	2	LOGRSUBT	Record subtype (see note)	Binary
Note: For LOGRSUBT field values, see “Record Subtypes” on page 121. For more information about the fields in the external log record header, refer to the MVS/ESA library.					

Table 56. Format of the Data Descriptor Section for Response Time and Accounting Data

Offset Dec.	Offset Hex.	Length in Bytes	Field Name	Description	Type
000	000	4	LHDRPRDO	Offset of product section (see Note 1)	Binary
004	004	2	LHDRPRDL	Length of product section	Binary
006	006	2	LHDRPRDN	Number of product sections (see note 2)	Binary
008	008	4	LHDRSESO	Offset of session configuration section (see Note 1)	Binary
012	00C	2	LHDRSESL	Length of session configuration section	Binary
014	00E	2	LHDRSESN	Number of session configuration sections (see Note 2)	Binary
016	010	4	LHDRRTEO	Offset of route data section (see Note 1)	Binary
020	014	2	LHDRRTEL	Length of route data section	Binary
022	016	2	LHDRRTEN	Number of route data sections (see Note 2)	Binary
024	018	4	LHDRRTMO	Offset of response time data section (see Note 1)	Binary
028	01C	2	LHDRRTML	Length of response time data section	Binary
030	01E	2	LHDRRTMN	Number of response time data sections (see note 2)	Binary
032	020	4	LHDRACCO	Offset of accounting and availability data section (see note 1)	Binary
036	024	2	LHDRACCL	Length of accounting and availability data section	Binary
038	026	2	LHDRACCN	Number of accounting and availability data sections (see Note 2)	Binary

Table 56. Format of the Data Descriptor Section for Response Time and Accounting Data (continued)

Offset Dec.	Offset Hex.	Length in Bytes	Field Name	Description	Type
040	028	4	LHDRARTO	Offset of APPN route data section	Binary
044	02C	2	LHDRARTL	Length of APPN route data section	Binary
046	02E	2	LHDRARTN	Number of APPN route data sections	Binary
Notes:					
1.	The offset of the first section of this type. All offsets are relative to the beginning of the record.				
2.	The number of sections of this type in the record.				

Table 57. Format of the Data Descriptor Section for Storage and Event Counter Data

Offset Dec.	Offset Hex.	Length in Bytes	Field Name	Description	Type
000	000	4	LCNTPRDO	Offset of product section (see note 1)	Binary
004	004	2	LCNTPRDL	Length of product section	Binary
006	006	2	LCNTPRDN	Number of product sections (see note 2)	Binary
008	008	4	LCNTEVNO	Offset of event counters (see note 1)	Binary
012	00C	2	LCNTEVNL	Length of event counter data section	Binary
014	00E	2	LCNTEVNN	Number of event counter data sections (see note 2)	Binary
016	010	4	LCNTSAWO	Offset of SAW counters (see note 1)	Binary
020	014	2	LCNTSAWL	Length of SAW data section	Binary
022	016	2	LCNTSAWN	Number of SAW counter data sections (see note 2)	Binary
024	018	4	LCNTARBO	Offset of ARB counters (see note 1)	Binary
028	01C	2	LCNTARBL	Length of ARB data section	Binary
030	01E	2	LCNTARBN	Number of ARB data sections (see note 2)	Binary
032	020	4	LCNTSTGO	Offset of storage counters (see note 1)	Binary
036	024	2	LCNTSTGL	Length of STRG data section	Binary
038	026	2	LCNTSTGN	Number of STRG data sections (see note 2)	Binary
Notes:					
1.	The offset of the first section of this type. All offsets are relative to the beginning of the record.				
2.	The number of sections of this type in the record.				

Product Data Section

The product data section is used with all session monitor external log record subtypes.

Table 58. Format of the Product Data Section

Offset Dec.	Offset Hex.	Length in Bytes	Field Name	Description	Type
000	000	2	LPRDSUBT	Record subtype (see note)	Binary
002	002	2	LPRDVERN	NetView program release level (set to 32)	Char
004	004	4	LPRDNAME	Product name (set to 'NETV')	Char
Note: The LPRDSUBT field is the same as the LOGRSUBT field in the log record header section. For valid LPRDSUBT field values, see "Record Subtypes" on page 121.					

Session Configuration Data Section

The session configuration data section is used with all session monitor external log record subtypes, except subtype 8 (storage and event counter record). Most of the information for this record comes from VTAM.

Table 59. Format of the Session Configuration Data Section

Offset Dec.	Offset Hex.	Length in Bytes	Field Name	Description	Type
000	000	2	LSESREVL	Revision level: X'0003'	Binary
002	002	8	LSESPNAM	Primary resource name (see note 3)	Char
010	00A	8	LSESPUN	PU of primary resource	Char
018	012	8	LSESPLNK	Primary link name (see note 1)	Char
026	01A	8	LSESPSAP	Primary subarea PU	Char
034	022	8	LSESPDOM	Primary NetView domain name	Char
042	02A	8	LSESSNAM	Secondary resource name (see note 3)	Char
050	032	8	LSESSPUN	PU of secondary resource	Char
058	03A	8	LSESSLNK	Secondary link name (see note 1)	Char
066	042	8	LSESSSAP	Secondary higher level PU name	Char
074	04A	8	LSESSDOM	Secondary NetView domain name	Char
082	052	8	LSESPCLS	Performance class name	Char
090	05A	8	LSESCOST	Class of service name	Char
098	062	2	LSESERN	Explicit route number (see note 2)	Binary
100	064	2	LSESRERN	Reverse explicit route number (see note 2)	Binary
102	066	2	LSESVRN	Virtual route number (see note 2)	Binary
104	068	2	LSESTPF	Transmission priority (see note 2)	Binary
106	06A	8	LSESPCID	Unique session ID	Binary
114	072	1	LSESTYPE	Session type: 1 LU-LU 2 SSCP-LU 3 SSCP-PU 4 SSCP-SSCP 5 CP-CP	Char
115	073	1	LSESXNET	Cross-network session (Y or N)	Char

Table 59. Format of the Session Configuration Data Section (continued)

Offset Dec.	Offset Hex.	Length in Bytes	Field Name	Description	Type
116	074	1	LSESCODE	BIND failure or UNBIND reason code; see the following: <ul style="list-style-type: none"> • Offset 7 into BINDF • Offset 15 into CDSESSF • Offset 1 into UNBIND. For more information, see <i>Systems Network Architecture Formats</i>	Binary
117	075	8	LSESPRNT	Primary endpoint CP network ID	Char
125	07D	8	LSESPRNM	Primary endpoint CP name	Char
133	085	8	LSESSCNT	Secondary endpoint CP network ID	Char
141	08D	8	LSESSCNM	Secondary endpoint CP name	Char
149	095	8	LSESCOSA	APPN class of service name	Char
157	09D	2	LSESTPFA	APPN transport priority	Binary
159	09F	1	LSESFQLN	Length of fully qualified PCID CP name	Binary
160	0A0	17	LSESFQNM	Fully qualified PCID CP name	Char
Notes:					
1. This field contains the link name, channel unit address name, or dependent LU requestor name.					
2. If no data is available from VTAM, the default is X'FF'.					
3. For configurations with hierarchies having more than four resources on either primary or secondary sides, (a "virtual/logical" PU/LINK coded), this field may contain the name of a link, channel unit address, or line group.					

Session Route Data Section

The session route data section is used with all session monitor external log record subtypes, except subtype 4 (accounting and availability data collection record) and subtype 8 (storage and event counter record).

Table 60. Format of the Session Route Data Section

Offset Dec.	Offset Hex.	Length in Bytes	Field Name	Description	Type
000	000	2	LRTEREVL	Revision level: X'0001'	Binary
002	002	2	LRTENUME	Total number of nodes in session path	Binary
004	004	2	LRTENUMT	Number of route elements in LRTEETAB. This is the number of NCP V3 or later nodes in the session path.	Binary
006	006	—	LRTEETAB	Route element table (see note)	—
Note: There is a 10-byte entry for each route element in the table. See Table 61 on page 128 for the format of this 10-byte entry.					

Table 61. Format of the Ten-Byte Route Element Entry

Offset Dec.	Offset Hex.	Length in Bytes	Field Name	Description	Type
000	000	8	LRTEENAM	Route element name	Binary
008	008	2	LRTEETGO	Transmission group (out) number	Binary
Note: Fields LRTEENAM and LRTEETGO are part of the LRTEETAB array of structures (see Table 60 on page 127).					

Accounting and Availability Data Section

The accounting and availability data section is used with session monitor external log record subtypes 2, 3, 4, and 5.

Table 62. Format of the Accounting and Availability Data Section

Offset Dec.	Offset Hex.	Length in Bytes	Field Name	Description	Type
000	000	2	LACCREVL	Revision level: X'0002'	Binary
002	002	2	—	Reserved	—
004	004	8	LACCBEGT	Collection period begin time stamp (see note 1)	Binary
012	00C	8	LACCENDT	Collection period end time stamp (see note 1)	Binary
020	014	4	LACCPBCB	Number of control PIUs sent from primary to secondary	Binary
024	018	4	LACCPCCC	Number of control characters sent from primary to secondary	Binary
028	01C	4	LACCSCBC	Number of control PIUs sent from secondary to primary	Binary
032	020	4	LACCSCCC	Number of control characters sent from secondary to primary	Binary
036	024	4	LACCPBTC	Number of text PIUs sent from primary to secondary	Binary
040	028	4	LACCPBTC	Number of text characters sent from primary to secondary	Binary
044	02C	4	LACCSTBC	Number of text PIUs sent from secondary to primary	Binary
048	030	4	LACCSTCC	Number of text characters sent secondary to primary	Binary

Table 62. Format of the Accounting and Availability Data Section (continued)

Offset Dec.	Offset Hex.	Length in Bytes	Field Name	Description	Type
Notes:					
1.				For LACCBEGT and LACCENDT, the first four bytes of the time stamp are local time in store-clock format. The last four bytes are the conversion factor from GMT to local time. (Example: 982B5412 FFFCA5B.) This time stamp yields an approximate resolution of 1.04 seconds.	
2.				The session monitor uses the indicators in the first byte of the RH to select control and text PIUs. BSC connections do not have control PIUs.	
3.				If SESSTATS=AVAIL, the following fields are zero: <ul style="list-style-type: none"> • LACCPBC • LACCPCCC • LACCSCBC • LACCSCCC • LACCPTBC • LACCPTCC • LACCSTBC • LACCSTCC 	

Session Response Time Data Section

The session response time data section is used with session monitor external log record subtypes 1, 2, and 5.

Table 63. Format of the Session Response Time Data Section

Offset Dec.	Offset Hex.	Length in Bytes	Field Name	Description	Type
000	000	2	LRTMREVL	Revision level: X'0001'	Binary
002	002	8	LRTMCOLE	Collection period begin time stamp (see note 1)	Binary
010	00A	8	LRTMCOLE	Collection period end time stamp (see note 1)	Binary
018	012	2	LRTMOBJP	Objective percentage (default is 0)	Binary
020	014	2	LRTMOBJB	Objective counter number (default is 1)	Binary
022	016	1	LRTMDEF	Response time definition (default is F (first))	Char
023	017	1	LRTMOBJF	Objective met indicator: Y Yes N No	Char
024	018	4	LRTMTRAN	Number of transactions measured	Binary
028	01C	4	LRTMTOTT	Total response time (see note 2)	Binary
032	020	16	LRTMBNDS	Four 4-byte fields containing counter boundaries (see note 2)	Binary
048	030	20	LRTMBKTS	Five 4-byte fields with contents of counters	Binary

Table 63. Format of the Session Response Time Data Section (continued)

Offset Dec.	Offset Hex.	Length in Bytes	Field Name	Description	Type
068	044	4	LRTMOBJT	Objective response time (see note 2)	Binary
Notes:					
1. For LRTMCOLE and LRTMCOLE, the first four bytes of the time stamp are the local time in store-clock format, and the last four are the conversion factor from GMT to local time. (Example: 982B5412 FFFFCA5B.) This time stamp yields an approximate resolution of 1.04 seconds.					
2. LRTMTOTT, LRTMBNDS, and LRTMOBJT are in tenths of seconds.					

Event Counter Data Section

The event counter data section is only used with session monitor external log record subtype 8 (storage and event counter record).

Table 64. Format of the Event Counter Data Section

Offset Dec.	Offset Hex.	Length in Bytes	Field Name	Description	Type
000	000	8	LEVNSTIM	Start of the recording period (see note 1)	Binary
008	008	8	LEVNETIM	End of the recording period (see note 1)	Binary
016	010	8	LEVNDMID	Domain ID (NCCF ID)	Binary
024	018	4	LEVNPIUB	PIU trace buffers processed	Binary
028	01C	4	LEVNPIUS	PIUs processed (see note 2)	Binary
032	020	4	LEVNSAWB	SAW buffers processed (see note 3)	Binary
036	024	4	LEVNSESS	Session start notifications	Binary
040	028	4	LEVNSESE	Session end notifications	Binary
044	02C	4	LEVNSESR	Sessions recorded to VSAM	Binary
Notes:					
1. For LEVNSTIM and LEVNETIM, the first four bytes of the time stamp are local time in store-clock format. The last four bytes are the conversion factor from GMT to local time. (Example: 982B5412 FFFFCA5B.) This time stamp yields an approximate resolution of 1.04 seconds.					
2. Session awareness (SAW) is a VTAM-session monitor interface through which information about network session activity is exchanged.					
3. Refer to <i>Systems Network Architecture Formats</i> for more information about PIU.					

Session Awareness (SAW) Counter Data Section

The session awareness (saw) counter data section is only used with session monitor external log record subtype 8 (storage and event counter record).

Table 65. Format of the Session Awareness Counters Data Section

Offset Dec.	Offset Hex.	Length in Bytes	Field Name	Description	Type
000	000	2	LSAWREVL	Revision level: X'0003'	Binary

Table 65. Format of the Session Awareness Counters Data Section (continued)

Offset Dec.	Offset Hex.	Length in Bytes	Field Name	Description	Type
002	002	2	—	Reserved	—
004	004	4	LSAWASBC	Number of nonfiltered sessions	Binary
008	008	4	LSAWASBM	Session highwater mark	Binary
012	00C	4	LSAWFLTC	Sessions being filtered (see note 1)	Binary
016	010	4	LSAWFLTM	Filter highwater mark (see note 2)	Binary
020	014	4	LSAWHSTE	Sessions with an endpoint in the host	Binary
024	018	4	LSAWRTMC	Sessions keeping RTM data	Binary
028	01C	4	LSAWXNTC	Sessions keeping cross-network data	Binary
032	020	4	LSAWDOMC	Sessions keeping domain data	Binary
036	024	4	LSAWACTC	Sessions keeping accounting data	Binary
040	028	4	LSAWSSCP	Number of SSCP-SSCP sessions	Binary
044	02C	4	LSAWSCPM	SSCP-SSCP highwater mark	Binary
048	030	4	LSAWSPPU	Number of SSCP-PU sessions	Binary
052	034	4	LSAWSPUM	SSCP-PU highwater mark	Binary
056	038	4	LSAWSPLU	Number of SSCP-LU sessions	Binary
060	03C	4	LSAWSLUM	SSCP-LU highwater mark	Binary
064	040	4	LSAWLULU	Number of LU-LU sessions	Binary
068	044	4	LSAWLULM	LU-LU highwater mark	Binary
072	048	4	LSAWRCDQ	Sessions waiting to be recorded	Binary
076	04C	4	LSAWRDQM	Record queue highwater mark	Binary
080	050	4	LSAWPSPU	Number of SSCP-PU pseudo sessions	Binary
084	054	4	LSAWPSPM	SSCP-PU pseudo sessions highwater mark	Binary
088	058	4	LSAWPCPCP	Number of CP-CP sessions	Binary
092	05C	4	LSAWPCPM	CP-CP highwater mark	Binary
096	060	4	LSAWRSCV	Sessions keeping RSCV data	Binary
Notes:					
1.	LSAWFLTC is the sum of the current sessions-filtered counts from session monitor and VTAM. VTAM Version 3 Release 2 enhancements allow sessions to be filtered at VTAM; however, your SAW=NO filtering should be done at VTAM rather than NetView.				
2.	LSAWFLTM is the sum of the sessions-filtered highwater counts from session monitor and VTAM since the last RECORD STRGDATA request.				

Resource (ARB) Counter Data Section

The resource (ARB) counter data section is only used with session monitor external log record subtype 8 (storage and event counter record). The session monitor creates active resource control blocks (ARBs) for all resources involved in sessions known to the session monitor.

Table 66. Format of the Resource Counter Data Section

Offset Dec.	Offset Hex.	Length in Bytes	Field Name	Description	Type
000	000	4	LARBCNT	Number of resource control blocks	Binary
004	004	4	LARBMAX	ARB highwater mark	Binary
008	008	4	LARBSSCP	Number of SSCP resource control blocks	Binary
012	00C	4	LARBSCPM	SSCP ARB highwater mark	Binary
016	010	4	LARBPU	Number of PU resource control blocks	Binary
020	014	4	LARBPUX	PU ARB highwater mark	Binary
024	018	4	LARBLU	Number of LU resource control blocks	Binary
028	01C	4	LARBLUMX	LU ARB highwater mark	Binary
032	020	4	LARBLNK	Number of link/CUA ARBs	Binary
036	024	4	LARBLNKM	Link/CUA highwater mark	Binary

Storage Counter Data Section

The storage counter data section is only used with session monitor external log record subtype 8 (storage and event counter record).

Table 67. Format of the Storage Counter Data Section

Offset Dec.	Offset Hex.	Length in Bytes	Field Name	Description	Type
000	000	4	LSTGRTM	The number of bytes of storage used for response time monitor (RTM) data.	Binary
004	004	4	LSTGPARM	The number of bytes of storage used for session parameter (PARM) data.	Binary
008	008	4	LSTGTRCE	The number of bytes of storage used for session trace (TRACE) data. This includes PIU trace, boundary function trace, and gateway trace.	Binary
012	00C	4	LSTGASB	The number of bytes of storage used for active session block (ASB) control blocks.	Binary
016	010	4	LSTGARB	The number of bytes of storage used for active resource block (ARB) control blocks.	Binary
020	014	4	LSTGACCT	The number of bytes of storage used for accounting (ACCT) data.	Binary
024	018	4	LSTGRSCV	The number of bytes of storage used for route selection control vector (RSCV) data.	Binary
028	01C	2	LSTGREVL	Revision level: X'0002'	Binary

APPN Route Data Section

If APPN, this data section is used with all session monitor external log record subtypes, except subtype 8 (storage and event counter record).

Table 68. Format of the APPN Route Data Section

Offset Dec.	Offset Hex.	Length in Bytes	Field Name	Description	Type																																										
000	000	2	LARTREVL	Revision level: X'0001'	Binary																																										
002	002	2	LARTNUMT	Number of route elements in LARTTABL. This is the number of nodes in the APPN subnetwork, including the primary CP.	Binary																																										
004	004	1	LARTRVFL	RSCV flags: <table border="0"> <thead> <tr> <th>Bit</th> <th>Meaning</th> </tr> </thead> <tbody> <tr> <td>0-1</td> <td>TG not valid</td> </tr> <tr> <td>00</td> <td>No IN-TG</td> </tr> <tr> <td>01</td> <td>IN-TG at end</td> </tr> <tr> <td>10</td> <td>IN-TG at start</td> </tr> <tr> <td>11</td> <td>IN-TG at start and end</td> </tr> <tr> <td>2</td> <td>First RSCV error</td> </tr> <tr> <td>0</td> <td>No first RSCV error</td> </tr> <tr> <td>1</td> <td>First RSCV error</td> </tr> <tr> <td></td> <td>(VTAM or NCP storage problem)</td> </tr> <tr> <td>3</td> <td>First RSCV flag</td> </tr> <tr> <td>0</td> <td>First RSCV not present</td> </tr> <tr> <td>1</td> <td>First RSCV present</td> </tr> <tr> <td>4</td> <td>Second RSCV error</td> </tr> <tr> <td>0</td> <td>No second RSCV error</td> </tr> <tr> <td>1</td> <td>Second RSCV error</td> </tr> <tr> <td></td> <td>(VTAM or NCP storage problem)</td> </tr> <tr> <td>5</td> <td>Second RSCV flag</td> </tr> <tr> <td>0</td> <td>Second RSCV not present</td> </tr> <tr> <td>1</td> <td>Second RSCV present</td> </tr> <tr> <td>6-7</td> <td>Reserved</td> </tr> </tbody> </table>	Bit	Meaning	0-1	TG not valid	00	No IN-TG	01	IN-TG at end	10	IN-TG at start	11	IN-TG at start and end	2	First RSCV error	0	No first RSCV error	1	First RSCV error		(VTAM or NCP storage problem)	3	First RSCV flag	0	First RSCV not present	1	First RSCV present	4	Second RSCV error	0	No second RSCV error	1	Second RSCV error		(VTAM or NCP storage problem)	5	Second RSCV flag	0	Second RSCV not present	1	Second RSCV present	6-7	Reserved	Binary
Bit	Meaning																																														
0-1	TG not valid																																														
00	No IN-TG																																														
01	IN-TG at end																																														
10	IN-TG at start																																														
11	IN-TG at start and end																																														
2	First RSCV error																																														
0	No first RSCV error																																														
1	First RSCV error																																														
	(VTAM or NCP storage problem)																																														
3	First RSCV flag																																														
0	First RSCV not present																																														
1	First RSCV present																																														
4	Second RSCV error																																														
0	No second RSCV error																																														
1	Second RSCV error																																														
	(VTAM or NCP storage problem)																																														
5	Second RSCV flag																																														
0	Second RSCV not present																																														
1	Second RSCV present																																														
6-7	Reserved																																														
005	005	—	LARTTABL	An array of APPN route elements. See Table 69 for format of an APPN route element.	—																																										

Table 69. Format of an APPN Route Element

Offset Dec.	Offset Hex.	Length in Bytes	Field Name	Description	Type
000	000	2	LARTTGNU	Transmission group number	Binary
002	002	8	LARTTGNE	TG partner network name	Char
010	00A	8	LARTTGNA	TG partner node name	Char
018	012	1	LARTTGFL	TG flag descriptor	Binary

Index

A

AAUTLOGR macro 121
accepting a CP-MSU or NMVT 78
accepting an MDS-MU in non-NetView nodes 77
accessing the PPI using DSIPHONE 31
accounting and availability data collection, session monitor external log record 122
accounting and availability data section, session monitor external log 128
additional product set attributes, network asset management vital product data description 92
ADDLINE command list 68
agent unit of work correlator GDS variable
 contents 76
 sequence number date and time structure 76
agent unit of work correlator GDS variable.
 date and time structure example 77
 overview 41
alert receiver task 8
alert report format, hardware monitor external log 101
Alerts-Dynamic panel 1, 23
answering node configuration data, network asset management vital product data description 85
APF-authorized sender
 receiver program 10, 19
 sending data buffers 25
application program-level error reporting 82
applications
 high performance transport
 writing 57
 management services
 destination name considerations 44
 implementing 45
 writing 43
 operations management served
 destination name considerations 52
 implementing 53
 writing 51
APPN route data section, session monitor external log 133
APPN route element data section, session monitor external log 133
ASCB-ADR
 obtaining address (request type 3) 17
 RPB data field 10
 with request type 10 21
 with request type 22 27
 with request type 23 28
 with request type 3 17
 with request type 4 19
 with request type 9 20
assembler 39
 syntax for CALL 6
asynchronous replies 41
attached device configuration data, network asset management vital product data description 91

AUTH-IND
 receiver program 19
 RPB data field 10
 sending data buffers 25

B

BFRDEDAT mapping, hardware monitor external log 107
BIND failure, session monitor external log record 122
bind settings, VTAM 47
blocking replies to a request 41
BNJTBRF macro 99
BUFF-ADR 10
BUFF-LEN 10, 27
BUFFER-Q-FLAG 10
buffering data 39
buffers
 creating queues 3
 purging (request type 23) 28
 queue limits
 description 3
 request type 12 23
 request type 4 18
 subsystem address space 7
 receiving
 overview 4
 programming example 64
 request type 22 26
 sending
 overviews 4
 programming example 65
 request type 14 24
BUFFQ-L
 with request type 4 18
building MDS-MUs 39

C

C language
 interface considerations 39
 syntax for CALL 5
CALL statement
 overview 5
 register conventions 6
 syntax 5, 6
chaining 41
choosing a request type 14
CNMCALRT service routine 8
CNMGETDATA service routine
 with high performance transport API 58
 with MS applications 45
CNMGETDATA service routine.
 with operations management MS applications 53
CNMHREGIST service routine 57
CNMHRGS service routine 57
CNMHSENDMU service routine 58
CNMI 67

- CNMNETV 5
- CNMREGIST service routine
 - with MS applications 43
- CNMREGIST service routine.
 - with operations management served applications 51
- CNMRGS 43
- CNMSENDMU service routine
 - with MS applications 44
- CNMSENDMU service routine.
 - with operations management served applications 52
- CNMSMU 44
- combined session start-end, session monitor external log record 122
- command authorization table external log record format 108
- command lists
 - common operations services 68
 - network asset management 93
- common operations services (COS)
 - command lists
 - ADDLINE 68
 - FINDNCP 68
 - INITCNFG 68
 - SPLOOKUP 68
 - TESTRCMD 68
 - TESTSP 68
 - commands
 - LINKDATA 66
 - LINKPD 66
 - LINKTEST 66
 - RUNCMD 66
- common record prefix, network asset management 94
- considerations for API transport applications
 - interface considerations
 - buffering data 39
 - building MDS-MUs 39
 - forwarding data 39
 - suspending the application 39
- MDS transactions
 - agent unit of work correlators 41
 - asynchronous replies 41
 - blocking replies 41
 - chaining replies 41
 - description 40
 - MDS-MU error messages 41, 42
 - MDS-MU types 40
 - SNA condition report 41, 42
 - synchronous replies 41
 - timer intervals 42
- tasking structure 40
- controlling the PPI trace facility 71
- correlators, MDS-MU
 - contents 76
 - date and time structure example 77
 - overview 41
 - sequence number date and time structure 76
- COS
 - command lists
 - ADDLINE 68

- COS (*continued*)
 - command lists (*continued*)
 - FINDNCP 68
 - INITCNFG 68
 - SPLOOKUP 68
 - TESTRCMD 68
 - TESTSP 68
 - commands
 - LINKDATA 66
 - LINKPD 66
 - LINKTEST 66
 - RUNCMD 66
- CP-MSU formatted alert
 - accepting 78
 - description 1, 78
 - format 78
 - maximum size 67
 - multiple major vectors 78
 - processing 1
 - sending formatted alert
 - overview 3
 - request type 12 22
- creating applications
 - with high performance transport API 59
 - with MS applications 46
 - with operations management MS applications 54
- creating buffer queues 3

D

- data descriptor section, response time and accounting
 - data functions, session monitor external log 124
- data descriptor section, storage and event counter data,
 - session monitor external log 125
- data formats for LU 6.2 conversations
 - accepting 77
 - format 73
 - MDS data types
 - CP-MSU 78
 - NMVT 79
 - R&TI 79
 - routing report 79
 - SNA condition report 81, 82
- MDS error messages
 - application program-level reporting 82
 - characteristics 80
 - contents 81
 - example 81
 - format 80
 - SNA condition reports 81, 82
 - types of errors 80
- MDS header format
 - agent unit of work correlator GDS variable 41, 76
 - routing information GDS variable 74
 - send requests and destination names 44, 52
- MDS-MU example 77
- message size 73
- data section formats for session monitor external logs
 - accounting and availability data section 128
 - APPN route data section 133
 - APPN route element data section 133

- data section formats for session monitor external logs
(*continued*)
 - data descriptor section, response time and accounting data functions 124
 - data descriptor section, storate and event counter data 125
 - event counter data section 130
 - external log record header data section 123
 - product data section 125
 - resource counter data section 131
 - response time data section 129
 - session awareness counter data section 130
 - session configuration data section 126
 - session route data section 127
 - storage data section 132
 - ten-byte route element entry 128
- data types for MDS-MU GDS
 - CP-MSU 78
 - NMVT 79
 - R&TI 79
 - routing report 79
 - SNA condition report 81, 82
- DCE data for DSUs/CSUs, network asset management vital product data description 89
- DCE data for modems, network asset management vital product data description 88
- DCE hardware subrecord format, network asset management 96
- deactivating a receiver
 - coding example 65
 - overview 2
 - request type 9 20
- deciding which transport to use 38
- DEFAULTS command 42
- defining a receiver
 - request type 4 18
- defining a receiver.
 - coding example 64
 - overview 2
- deleting a receiver
 - overview 2
 - request type 10 21
- deregistering applications
 - high performance transport API 60
 - MS transport API 46
 - operations management MS applications 54
- destination location name MS subvector 74
- detailed data network alert report format, hardware monitor external log 107
- differences between transports 37
- DISPPI command 72
- DSI6REGS macro
 - with MS applications 43
 - with operations management served applications 51
- DSI6SNDS macro
 - with MS applications 44
 - with operations management served applications 52
- DSICRTR task 8
- DSIDTR, RPB fields 10
- DSIGDS task 68
- DSIGETDS macro
 - with high performance transport API 58
 - with MS applications 45
 - with operations management MS applications 53
- DSIHREGS macro 57
- DSIHSNDS macro 58
- DSIPHONE, accessing the PPI 31
- DSIPHONE results 33
- DSIPHONE usage notes 33
- DTR fields
 - DTRASCB 10
 - DTRAUTH 10
 - DTRBQFL 10
 - DTRBQL 10
 - DTRCKBTS 10
 - DTREACT 10
 - DTRECB 10
 - DTREND 10
 - DTREND1 10
 - DTRLEN 10
 - DTRRCVAT 10
 - DTRRCVNM 10
 - DTRRCVTT 10
 - DTRRECOP 10
 - DTRREQT 10
 - DTRRETC 10
 - DTRRVID 10
 - DTRSAFID 10
 - DTRSAFWK 10
 - DTRSDAST 10
 - DTRSDID 10
 - DTRSDNAM 10
 - DTRSDTT 10
 - DTRTCB 10
 - DTRUBL 10
 - DTRUBPTR 10
 - DTRVERSN 10
 - DTRVRCHK 10
- DTRASCB
 - obtaining address (request type 3) 17
 - RPB data field 10
 - with request type 10 21
 - with request type 22 27
 - with request type 23 28
 - with request type 3 17
 - with request type 4 19
 - with request type 9 20
- DTRBQFL 10
- DTRBQL
 - with request type 4 18
- DTREACT
 - with request type 4 19
- DTRSDID
 - receiving data buffers 27
 - RPB field description 10
 - sending alerts 23
- DTRUBL 10, 27
- DTRUBPTR 10
- DTRVERSN 10

E

- ECB (event control block)
 - request type 22 27
 - request type 24 30
 - request type 4 18
 - RPB field 10
- ECB-ADR
 - request type 24 30
 - request type 4 18
 - RPB field 10
- enabling the NetView program to receive alerts 8
- enabling the PPI
 - in MVS 7
- enabling the PPI trace facility 7, 71
- end subrecord format, network asset management 95
- error messages for MDS-MU GDS
 - application program-level reporting 82
 - characteristics 80
 - contents 81
 - example 81
 - format 80
 - SNA condition reports 81, 82
 - types of errors 80
- error subrecord format, network asset management 98
- ESTAE program 10
- ETHERNET LAN data report format, hardware monitor
 - external log 106
- event counter data section, session monitor external log 130
- event report format, hardware monitor external log 102
- EX-ACT
 - with request type 4 19
- external data set storage 72
- external log record formats
 - command authorization table 108
 - hardware monitor
 - alert report format 101
 - BFRDEDAT mapping 107
 - detailed data network alert report format 107
 - ETHERNET LAN data report format 106
 - event report format 102
 - external log record header format 99
 - generic event report format 102
 - hardware monitor data descriptor format 99
 - local and remote DSU/CSU reports 105
 - local and remote modem reports 104
 - local area network report 106
 - LPDA-1 modem report format 103
 - LPDA-2 report format 104
 - product report format 101
 - self-defining text message report format 107
 - statistical report format 102
 - session monitor
 - accounting and availability data collection record 122
 - BIND failure record 122
 - combined session start-end record 122
 - data section formats 123
 - INIT failure record 122
 - RTM collection record 121
 - session end record 121

- external log record formats (*continued*)
 - session monitor (*continued*)
 - session start record 121
 - storage and event counter record 123
 - writing to 120
 - span authorization table 108
 - task resource utilization data 108
- external log record header data section, session monitor
 - external log 123
- external log record header format, hardware monitor 99

F

- FINDNCP command list 69
- flags, MS subvector
 - first MDS message indicator 75
- flags MS subvector
 - message type 75
- flags MS subvector.
 - last MDS message indicator 75
- FMH-5 restriction on non-NetView communications 48
- forwarding data 39

G

- GDS variable 42
- generalized trace facility
 - enabling 7
 - starting 72
 - using 72
- generic event report format, hardware monitor external log 102
- get data facility
 - with high performance transport 58
 - with high performance transport API 58
 - with MS applications 45
 - with operations management MS applications 53

H

- hardware monitor
 - accepting a CP-MSU 78
 - accepting an MDS-MU in non-NetView communications 77
 - external log record formats
 - alert report format 101
 - BFRDEDAT mapping 107
 - detailed data network alert report format 107
 - ETHERNET LAN data report format 106
 - event report format 102
 - external log record header format, hardware monitor 99
 - generic event report format 102
 - hardware monitor data descriptor format 99
 - local and remote DSU/CSU reports 105
 - local and remote modem reports 104
 - local area network report 106
 - LPDA-1 modem report format 103
 - LPDA-2 report format 104
 - product report format 101

- hardware monitor *(continued)*
 - self-defining text message report format 107
 - statistical report format 102
- processing formatted alerts
 - overview 1, 2, 9
 - request type 12 23
- hardware monitor data descriptor format, hardware monitor external log 99
- header format for MDS-MU GDS
 - agent unit of work correlator GDS variable contents 76
 - date and time structure example 77
 - overview 41
 - sequence number date and time structure 76
- routing information GDS variable
 - destination location subvector 74
 - flags MS subvector 75
 - origin location subvector 74
- hexadecimal values 83
- high performance transport
 - deciding when to use 39
 - description 37, 57
 - differences from the MS transport 37
 - implementing applications
 - maintaining data integrity 61
 - NetView system programmer 59
 - non-NetView system programmer 60
 - restrictions 38
 - writing applications
 - receive macro 58
 - registration services 57
 - send macro 58
- HLL
 - interface considerations 39
 - syntax for CALL 5

I

- implementing high performance transport applications
 - maintaining data integrity 61
 - NetView system programmer
 - creating applications 59
 - deregistering applications 60
 - logmodes 59
 - registering applications 59
 - sending application data 60
 - non-NetView system programmer
 - MDS_HP_RECEIVE 60
- implementing management service applications
 - NetView operator
 - messages 45
 - REGISTER command 45
 - NetView system programmer
 - creating applications 46
 - deregistering applications 46
 - MS category 46
 - registering applications 46
 - sending application data 46
 - non-NetView system programmer
 - applicable LU 6.2 architecture 47
 - BIND setting 47

- implementing management service applications *(continued)*
 - non-NetView system programmer *(continued)*
 - FMH-5 restrictions 48
 - send process 49
 - time-out message 49
 - VTAM 47
- implementing operations management served applications
 - NetView operator 54
 - NetView system programmer
 - creating applications 54
 - deregistering applications 54
 - registering applications 54
 - sending application data 54
 - non-NetView system programmer 54
- INIT failure, session monitor external log record 122
- INITCNFG command list 68
- initializing a receiver
 - coding example 64
 - overview 2
 - request type 4 18
- interface considerations 39
- internal storage 71

L

- link configuration data, network asset management vital product data description 90
- LINKDATA 66
- LINKPD 67
- LINKTEST 66
- LOAD macro 6
- local and remote DSU/CSU reports, hardware monitor external log 105
- local and remote modem reports, hardware monitor external log 104
- local area network report, hardware monitor external log 106
- logmodes and high performance applications 59
- LPDA-1 modem report format, hardware monitor external log 103
- LPDA-2 report format, hardware monitor external log 104
- LU 6.2 transport APIs
 - considerations for applications
 - interface considerations 39
 - MDS transactions 40
 - tasking structure 40
 - high performance transport
 - deciding when to use 39
 - description 37
 - differences from the MS transport 37
 - implementing 59
 - restrictions 38
 - writing 57
- MS transport
 - deciding when to use 38
 - description 37
 - difference from high performance transport 37
 - implementing 45
 - restrictions 37

LU 6.2 transport APIs (*continued*)
writing 43
operations management MS transport
description 51
implementing 53
writing 51

M

macros
CNMCALRT 8
DSI6REGS 43, 51
DSI6SNDS
with high performance transport API 60
with operations management served
applications 52, 54
writing MS applications 44, 46
DSIGETDS
with high performance transport API 58, 60
with MS applications 45, 53
DSIHREGS 57
DSIHSNDS 58
WAIT
for ECB posting 10, 30
request type 22 27
request type 4 19
maintaining integrity with high performance transport
applications 61
MAXREPLY 42
MDS function 37
MDS_HP_RECEIVE 60
MDS-MU message example 77
MDS transactions
agent unit of work correlators 41, 76
asynchronous replies 41
blocking replies 41
chaining replies 41
description 40
error messages
application considerations 41, 42
contents 81
example 81
format 80
MDS-MU types 40
SNA condition report 41, 42
synchronous replies 41
timer intervals 42
message to operator (MTO) 68
message type flags, MDS
first MDS message indicator 75
last MDS message indicator 75
message type 75
MLWTO attributes 33
monitoring the PPI trace facility 72
MS categories and applications 46
MS transport
deciding when to use 38
difference from high performance transport 37
implementing applications
NetView operator 45
NetView system programmer 46

MS transport (*continued*)
implementing applications (*continued*)
non-NetView system programmer 47
restrictions 37
with COS 67
writing applications
receive macro 45
registration services 43
send macro 44
multiple alert receivers 8
multiple-domain support 37
multiple receivers 8
MVS
enabling the PPI 7

N

NETVALRT
receiver program 10, 16
sending formatted alerts 22
network asset management
sample command list record formats
common record prefix 94
DCE hardware subrecord 96
end subrecord 95
error subrecord 98
PU hardware subrecord 95
PU software subrecord 96
start subrecord 94
time-out subrecord 97
vital product data description
additional product set attributes 92
answering node configuration data 85
attached device configuration data 91
DCE data for DSUs/CSUs 89
DCE data for modems 88
link configuration data 90
product data 86
product set attributes 92
sense data 91
NMVT request
description 1, 79
format 79
major vectors 78
processing 1
sending formatted alert
overview 3
request type 12 22
non-NetView communication
accepting an MDS-MU 77
with high performance transports 60
with MS transports 47
with operations management served MS
transports 54

O

obtaining ASCB and TCB addresses
coding example 64
overview 2
request type 3 17

- operating system transportable programming
 - disconnecting a receiver 65
 - initializing a receiver 64
 - receiving a buffer 64
 - sending a buffer synchronously 65
- operations management MS transport
 - description 51
 - implementing applications
 - MS transport, implementing applications, non-NetView system programmer 54
 - NetView operator 54
 - NetView system programmer 54
 - writing applications
 - receive macro 53
 - registration services 51
 - send macro 52
- origin location MS subvector 74

P

- passing requests to the NetView program 5
- PL/I
 - interface considerations 39
 - syntax for CALL 5
- posting an ECB 30
- PPI
 - programming techniques 63
 - query status (request type 1) 14
 - routing alerts to multiple receivers 8
 - sending requests
 - overview 31
 - trace facility
 - controlling 71
 - DISPPI command 72
 - enabling 7, 71
 - external data set storage 72
 - internal storage 71
 - monitoring 72
 - SIZE parameter, TRACEPPI command 71
 - using 71
 - using the generalized trace facility 7, 72
 - version check 10
- PPI-VERSION 10
- processing requests 2
- product data, network asset management vital product data description 86
- product data section, session monitor external log 125
- product report format, hardware monitor external log 101
- product set attributes, network asset management vital product data description 92
- program-to-program interface
 - functions 1
 - overview 1
 - passing requests 5
 - return codes 83
 - sending requests
 - assembler model 6
 - HLL model 5
 - overview 5, 7
- programming notes 63
- programming techniques 63

- PU hardware subrecord format, network asset management 95
- PU software subrecord format, network asset management 96
- purge a data buffer
 - overview 2
 - request type 23 28

Q

- querying the PPI status
 - request type 1 14
- querying the program-to-program interface status
 - overview 2
- querying the receiver status
 - overview 2
 - request type 2 16

R

- RCVREPLY 42
- receive macro
 - with high performance transport 58
 - with high performance transport API 58
 - with MS applications 45
 - with operations management MS applications 53
- receiver
 - check for active 10, 19
 - deactivate (request type 9) 20, 65
 - define (request type 4) 18
 - delete (request type 10) 21
 - initialize (request type 4) 18, 64
 - query status (request type 2) 16
 - send data buffer synchronously (request type 14) 24, 65
- RECEIVER-ID
 - alert receiver 22
 - query receiver 16
 - RPB field 10
 - send data buffer 24
- receiving a data buffer
 - overview 4, 64
 - request type 22 26
- REGISTER command
 - with high performance transport API 54
 - with MS applications 45
 - with operations management served applications 52
- registering applications
 - with high performance transport API 59
 - with MS applications 46
 - with operations management MS applications 54
- registration service
 - with high performance transport API 57
 - with MS applications 44
 - with operations management served applications 51
- registration services
 - with MS applications 43
 - with operations management served applications 51

- replies and LU 6.2 conversations 41
 - asynchronous, synchronous 41
 - MDS-MU 40
- reply last message 42
- request type, choosing 14
- requests
 - indicators 10
 - MDS-MU 40
 - passing to the program-to-program interface 5
 - processing 2
 - return codes 83
 - types
 - 01—query the PPI status 14
 - 01—query the program-to-program interface status 2
 - 02—query a receiver's status 2, 16
 - 03—obtain the ASCB and TCB addresses 2, 17
 - 04—define and initialize a receiver 2, 18
 - 09—deactivate a receiver 2, 20
 - 10—delete a receiver 2, 21
 - 12—send an NMVT or CP-MSU formatted alert 2, 22
 - 14—send a data buffer to a receiver
 - synchronously 2, 24
 - 22—receive a data buffer 2, 26
 - 23—purge a data buffer 2, 28
 - 24—wait for the receive or connect ECB returned 2
 - 24—wait for the receive or connect ECB returned for the program-to-program interface 30
- resource counter data section, session monitor external log 131
- response time data section, session monitor external log 129
- restrictions
 - high performance transport API 38
 - MS transport API 37
- return codes 83
- routing alerts 8
- routing and targeting instruction (R&TI) format
 - R&TI (routing and targeting instruction) format 79
- routing information GDS variable
 - destination location subvector 74
 - flags MS subvector
 - first MDS message indicator 75
 - last MDS message indicator 75
 - message type 75
 - origin location subvector 74
- routing report format 79
- RPB (request parameter buffer)
 - building 9
 - defining 3, 18
 - description 9
 - DSIDTR, RPB fields 10
 - fields 10
 - type 01 request 14
 - type 02 request 16
 - type 03 request 17
 - type 04 request 18
 - type 09 request 20
 - type 10 request 21

- RPB (request parameter buffer) (*continued*)
 - type 12 request 22
 - type 14 request 24
 - type 22 request 26
 - type 23 request 28
 - type 24 request 30
- RTM collection, session monitor external log
 - record 121
- RUNCMD 67

S

- sample command list record formats, network asset management
 - common record prefix 94
 - DCE hardware subrecord 96
 - end subrecord 95
 - error subrecord 98
 - PU hardware subrecord 95
 - PU software subrecord 96
 - start subrecord 94
 - time-out subrecord 97
- SAW (session awareness) 130
- self-defining text message report format, hardware monitor external log 107
- send macro
 - with high performance transport 58
 - with MS applications 44
 - with operations management served applications 52
- send process for non-NetView communications 49
- send service
 - with high performance transport 58
 - with MS applications 44
 - with operations management served applications 52
- SENDER-ID
 - receiving data buffers 27
 - RPB field description 10
 - sending alerts 23
- sending a data buffer
 - asynchronously
 - coding example 65
 - synchronously
 - overview 2, 4
 - request type 14 24
- sending an NMVT or CP-MSU formatted alert
 - overview 3
 - request type 12 22
- sending application data
 - with high performance transport API 60
 - with MS applications 46
 - with operations management MS applications 54
- sense data, network asset management vital product data description 91
- service routines
 - CNMGETDATA
 - with high performance transport API 58
 - with MS applications 45
 - with operations management served applications 53
 - CNMHRGS (CNMHREGIST) 57

- service routines (*continued*)
 - CNMHSMU (CNMHSENDMU) 58
 - CNMREGIST 43, 51
 - CNMSENDMU 44, 52
- services, common operations 66
- session awareness counter data section, session monitor external log 130
- session configuration data section, session monitor external log 126
- session end, session monitor external log record 121
- session monitor external log records
 - accounting and availability data collection record 122
 - BIND failure record 122
 - combined session start-end record 122
 - data section formats
 - 10-byte route element entry 128
 - accounting and availability data section 128
 - APPN route data section 133
 - APPN route element data section 133
 - data descriptor section, response time and accounting data functions 124
 - data descriptor section, storage and event counter data 125
 - event counter data section 130
 - product data section 125
 - resource counter data section 131
 - response time data section 129
 - session awareness counter data section 130
 - session configuration data section 126
 - session route data section 127
 - storage data section 132
 - data section formats
 - external log record header data section 123
 - INIT failure record 122
 - RTM collection record 121
 - session end record 121
 - session start record 121
 - storage and event counter record 123
 - writing to 120
- session route data section, session monitor external log 127
- session start, session monitor external log record 121
- SIZE parameter, TRACEPPI command 71
- SMF (system management facilities)
 - external log record
 - type 37 93, 99
 - type 38, subtype 1 108
 - type 38, subtype 2 108
 - type 38, subtype 3 108
 - type 39 120
- SNA condition report
 - application errors 82
 - routing errors 81
 - s 41, 42
- SNASVCMG mode 38
- span authorization table external log record format 108
- SPLOOKUP command list 68
- start subrecord format, network asset management 94
- statistical report format, hardware monitor external log 102

- status
 - query PPI (request type 1) 14
 - query receiver (request type 2) 16
 - set receiver 18, 20
- storage and event counter, session monitor external log record 123
- storage data section, session monitor external log 132
- storage requirements 7, 23
- subvector message data
 - X'10', product data 86
 - X'11', product data 86
 - X'50', DCE data 88, 89
 - X'52', link configuration data 90
 - X'7D', sense data 91
 - X'84', product set attributes 92
 - X'86', additional product set attributes 92
- suspending the application 39
- synchronous replies 41
- System/390 37
- system management facilities (SMF)
 - external log record
 - type 37 93, 99
 - type 38, subtype 1 108
 - type 38, subtype 2 108
 - type 38, subtype 3 108
 - type 39 120

T

- task resource-utilization-data external log record format 108
- tasking structure for applications 40
- TCB-ADR
 - obtaining address (request type 3) 17
 - RPB data field 10
- ten-byte route element entry, session monitor external log 128
- TESTRCMD command list 69
- TESTSP command list 69
- time-out message 49
- time-out subrecord format, network asset management 97
- timer intervals 42
- trace facility for the PPI
 - controlling 71
 - DISPPI command 72
 - enabling 7, 71
 - external data set storage 72
 - internal storage 71
 - monitoring 72
 - SIZE parameter, TRACEPPI command 71
 - using 71
 - using the generalized trace facility 7, 72

U

- using the generalized trace facility 7, 72
- using the PPI trace facility 71
- using the sample command lists 93

V

vital product data

descriptions

- additional product set attributes 92
- answering node configuration data 85
- attached device configuration data 91
- DCE data for DSUs/CSUs 89
- DCE data for modems 88
- link configuration data 90
- product data 86
- product set attributes 92
- sense data 91

DWO114I 89

message syntax

- DWO100I 86
- DWO101I 91
- DWO102I 86
- DWO103I 86
- DWO105I 92
- DWO106I 92
- DWO110I 90
- DWO112I 88
- DWO113I 89

VTAM LU 6.2 support 47

W

WAIT

- for ECB posting 10, 30
- request type 22 27
- request type 4 19

waiting for the ECB

- overview 2
- request type 24 30

writing

high performance transport programs

- CNMGETDATA receive macro 58
- CNMHREGIST registration macro 57
- CNMHSENDMU send macro 58
- DSIGETDS receive macro 58
- DSIHREGS registration macro 57
- DSIHSNDS send macro 58

management services applications

- CNMGETDATA receive macro 45
- CNMREGIST service routine 43
- CNMSENDMU send macro 44
- DSI6REGS registration macro 43
- DSI6SNDS send macro 44
- DSIGETDS receive macro 45
- REGISTER command 44

operations management served applications

- CNMGETDATA receive macro 53
- CNMREGIST service routine 51
- CNMSENDMU send macro 52
- DSI6REGS registration macro 51
- DSI6SNDS send macro 52
- DSIGETDS receive macro 53
- REGISTER command 52

writing to session monitor external logs 120



File Number: S370/4300/30XX-50



Printed in the United States of America
on recycled paper containing 10%
recovered post-consumer fiber.

SC31-8223-03

