

IMS



Summary of Commands

Version 9

IMS



Summary of Commands

Version 9

Note

Before using this information and the product it supports, be sure to read the general information under "Notices" on page 179.

Third Edition (December 2006)

This edition replaces or makes obsolete the previous edition, SC18-7832-01. This edition is available in softcopy format only. The technical changes for this version are summarized under "Summary of Changes" on page xi.

© Copyright International Business Machines Corporation 1974, 2006. All rights reserved.

US Government Users Restricted Rights – Use, duplication or disclosure restricted by GSA ADP Schedule Contract with IBM Corp.

Contents

About This Book	v	/MODIFY	63
IBM Product Names Used in This Information	vi	/MONITOR	64
How to Read Syntax Diagrams	vii	/MSASSIGN	65
How to Send Your Comments	ix	/MSVERIFY	66
		/NRESTART	67
Summary of Changes	xi	/OPNDST	70
Changes to the Current Edition of This Book		/PSTOP	72
for IMS Version 9	xi	/PURGE	74
Changes to This Book for IMS Version 9	xi	QUERY	76
Library Changes for IMS Version 9	xi	/QUIESCE	84
		/RCLSDST	85
Chapter 1. IMS Commands A - L	1	/RCOMPT	86
/ACTIVATE	1	/RDISPLAY	87
/ALLOCATE	2	/RECOVER	88
/ASSIGN	3	/RELEASE	91
/BROADCAST	6	/RESET	92
/CANCEL	8	/RMxxxxxx	93
/CHANGE	9	/RSTART	94
/CHECKPOINT	13	/RTAKEOVER	96
/CLSDST	15	/SECURE	97
/COMPT	16	/SET	98
/CQCHKPT	18	/SIGN	99
/CQQUERY	19	/SMCOPY	100
/CQSET	20	/SSR	101
/DBDUMP	21	/START	102
/DBRECOVERY	22	/STOP	108
/DELETE	23	/SWITCH	113
DELETE	25	TERMINATE	114
/DEQUEUE	26	/TEST	115
/DIAGNOSE	28	/TRACE	116
/DISPLAY	29	/UNLOCK	122
/END	47	UPDATE	123
/ERESTART	48	/VUNLOAD	129
/EXCLUSIVE	51		
/EXIT	52	Chapter 3. MVS Commands Used for IMS	131
/FORMAT	53	START FDBRPROC	131
/HOLD	54	START IRLMPROC	132
/IAM	55	MODIFY IMS	133
/IDLE	56	MODIFY FDBRPROC	134
INITIATE	57	MODIFY IRLMPROC	135
/LOCK	60	STOP CQSJOB	136
/LOG	61	STOP IRLMPROC	137
/LOOPTEST	62	TRACE CT	138
		CANCEL/FORCE ODBA	139
Chapter 2. IMS Commands M - Z	63	STOP CSL Address Space	140

Chapter 4. Transport Manager Subsystem	
Commands	141
DEFINE	141
DISPLAY	142
SET	143
START	144
STOP	145
Chapter 5. Base Product Environment	
Commands	147
BPE Command Syntax and Invocation	147
DISPLAY TRACETABLE	148
UPDATE TRACETABLE	149
Chapter 6. IMS Connect z/OS Commands	151
DELETE PORT	151
QUERY DATASTORE	152
QUERY MEMBER	153
QUERY PORT	155
QUERY UOR	156
SHUTDOWN MEMBER	157
UPDATE DATASTORE	158
UPDATE MEMBER	159
UPDATE PORT	161
Appendix A. DBCTL Commands	163
Appendix B. DCCTL Commands	167
Appendix C. List of Reserved Words	173
Appendix D. Commands That Are Valid in ETO	177
Notices	179
Programming Interface Information	181
Trademarks	182

About This Book

This information is available as part of the Information Management Software for z/OS® Solutions Information Center. To view the information within the Information Management Software for z/OS Solutions Information Center, go to <http://publib.boulder.ibm.com/infocenter/dzichelp/v2r2/index.jsp>. This information is also available in PDF format. To get the most current versions of the PDF format, go to the IMS™ Library page at www.ibm.com/software/data/ims/library.html.

With IMS Version 9, you can reorganize HALDB partitions online, either by using the integrated HALDB Online Reorganization function or by using an external product. In this information, the term *HALDB Online Reorganization* refers to the integrated HALDB Online Reorganization function that is part of IMS Version 9, unless otherwise indicated.

IMS Version 9 provides an integrated IMS Connect function, which offers a functional replacement for the IMS Connect tool (program number 5655-K52). In this information, the term *IMS Connect* refers to the integrated IMS Connect function that is part of IMS Version 9, unless otherwise indicated.

This reference summary is intended to help you use:

- IMS Version 9 commands
- Transport Manager Subsystem (TMS) commands
- Base Product Environment (BPE) commands
- MVS™ commands used for the IMS Version 9 Internal Resource Lock Manager (IRLM)

This reference primarily contains command syntax diagrams, keywords, and the environments in which the commands are valid.

There are also the following appendixes:

Appendix A

Commands and keywords that you can use in a DBCTL environment

Appendix B

Commands and keywords that you can use in a DCCTL environment

Appendix C

The reserved words for IMS

Appendix D

Commands that are valid for ETO

IBM Product Names Used in This Information

In this information, the licensed programs shown in Table 1 are referred to by their short names.

Table 1. Licensed Program Full Names and Short Names

Licensed program full name	Licensed program short name
IBM® Application Recovery Tool for IMS and DB2®	Application Recovery Tool
IBM CICS® Transaction Server for OS/390®	CICS
IBM CICS Transaction Server for z/OS	CICS
IBM DB2 Universal Database™	DB2 Universal Database
IBM DB2 Universal Database for z/OS	DB2 UDB for z/OS
IBM Enterprise COBOL for z/OS and OS/390	Enterprise Cobol
IBM Enterprise PL/I for z/OS and OS/390	Enterprise PL/I
IBM High Level Assembler for MVS & VM & VSE	High Level Assembler
IBM IMS Advanced ACB Generator	IMS Advanced ACB Generator
IBM IMS Batch Backout Manager	IMS Batch Backout Manager
IBM IMS Batch Terminal Simulator	IMS Batch Terminal Simulator
IBM IMS Buffer Pool Analyzer	IMS Buffer Pool Analyzer
IBM IMS Command Control Facility for z/OS	IMS Command Control Facility
IBM IMS Connect for z/OS	IMS Connect
IBM IMS Connector for Java™	IMS Connector for Java
IBM IMS Database Control Suite	IMS Database Control Suite
IBM IMS Database Recovery Facility for z/OS	IMS Database Recovery Facility
IBM IMS Database Repair Facility	IMS Database Repair Facility
IBM IMS DataPropagator™ for z/OS	IMS DataPropagator
IBM IMS DEDB Fast Recovery	IMS DEDB Fast Recovery
IBM IMS Extended Terminal Option Support	IMS ETO Support
IBM IMS Fast Path Basic Tools	IMS Fast Path Basic Tools
IBM IMS Fast Path Online Tools	IMS Fast Path Online Tools
IBM IMS Hardware Data Compression-Extended	IMS Hardware Data Compression-Extended

Table 1. Licensed Program Full Names and Short Names (continued)

Licensed program full name	Licensed program short name
IBM IMS High Availability Large Database (HALDB) Conversion Aid for z/OS	IBM IMS HALDB Conversion Aid
IBM IMS High Performance Change Accumulation Utility for z/OS	IMS High Performance Change Accumulation Utility
IBM IMS High Performance Load for z/OS	IMS HP Load
IBM IMS High Performance Pointer Checker for OS/390	IMS HP Pointer Checker
IBM IMS High Performance Prefix Resolution for z/OS	IMS HP Prefix Resolution
IBM z/OS Language Environment	Language Environment
IBM Tivoli® NetView® for z/OS	Tivoli NetView for z/OS
IBM WebSphere® Application Server for z/OS and OS/390	WebSphere Application Server for z/OS
IBM WebSphere MQ for z/OS	WebSphere MQ
IBM WebSphere Studio Application Developer Integration Edition	WebSphere Studio
IBM z/OS	z/OS
IBM z/OS C/C++	C/C++

How to Read Syntax Diagrams

The following rules apply to the syntax diagrams that are used in this information:

- Read the syntax diagrams from left to right, from top to bottom, following the path of the line. The following conventions are used:
 - The >>--- symbol indicates the beginning of a syntax diagram.
 - The ---> symbol indicates that the syntax diagram is continued on the next line.
 - The >--- symbol indicates that a syntax diagram is continued from the previous line.
 - The --->< symbol indicates the end of a syntax diagram.
- Required items appear on the horizontal line (the main path).

▶▶—*required_item*————▶▶

- Optional items appear below the main path.

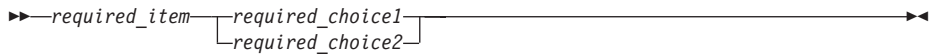
About This Book



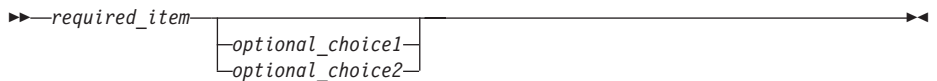
If an optional item appears above the main path, that item has no effect on the execution of the syntax element and is used only for readability.



- If you can choose from two or more items, they appear vertically, in a stack. If you *must* choose one of the items, one item of the stack appears on the main path.



If choosing one of the items is optional, the entire stack appears below the main path.



If one of the items is the default, it appears above the main path, and the remaining choices are shown below.



- An arrow returning to the left, above the main line, indicates an item that can be repeated.



If the repeat arrow contains a comma, you must separate repeated items with a comma.



A repeat arrow above a stack indicates that you can repeat the items in the stack.

- Sometimes a diagram must be split into fragments. The syntax fragment is shown separately from the main syntax diagram, but the contents of the fragment should be read as if they are on the main path of the diagram.



fragment-name:



- In IMS, a b symbol indicates one blank position.
- Keywords, and their minimum abbreviations if applicable, appear in uppercase. They must be spelled exactly as shown. Variables appear in all lowercase italic letters (for example, *column-name*). They represent user-supplied names or values.
- Separate keywords and parameters by at least one space if no intervening punctuation is shown in the diagram.
- Enter punctuation marks, parentheses, arithmetic operators, and other symbols, exactly as shown in the diagram.
- Footnotes are shown by a number in parentheses, for example (1).

How to Send Your Comments

Your feedback is important in helping us provide the most accurate and highest quality information. If you have any comments about this or any other IMS information, you can take one of the following actions:

- Click the Feedback link located at the bottom of every page in the Information Management Software for z/OS Solutions Information Center. The information center can be found at <http://publib.boulder.ibm.com/infocenter/imzic>.
- Go to the IMS Library page at www.ibm.com/software/data/ims/library.html and click the Library Feedback link, where you can enter and submit comments.
- Send your comments by e-mail to imspubs@us.ibm.com. Be sure to include the title, the part number of the title, the version of IMS, and, if applicable, the specific location of the text on which you are commenting (for example, a page number in the PDF or a heading in the Information Center).

About This Book

Summary of Changes

This book contains new technical information for IMS Version 9, as well as editorial changes. For detailed information about technical enhancements for IMS Version 9, see the *IMS Version 9: Release Planning Guide*.

Changes to the Current Edition of This Book for IMS Version 9

This edition, which is available in softcopy format only, includes technical and editorial changes.

Changes to This Book for IMS Version 9

Changes to this book include:

- New commands in IMS Version 9
- New keywords and parameters in IMS Version 9
- Updated syntax diagrams

Library Changes for IMS Version 9

Changes to the IMS Library for IMS Version 9 include the addition of one title, a change of one title, organizational changes, and a major terminology change. Changes are indicated by a vertical bar (|) to the left of the changed text.

The IMS Version 9 information is now available in the Information Management Software for z/OS Solutions Information Center, which is available at <http://publib.boulder.ibm.com/infocenter/imzic>. The Information Management Software for z/OS Solutions Information Center provides a graphical user interface for centralized access to the product information for IMS, IMS Tools, DB2 Universal Database (UDB) for z/OS, DB2 Tools, and DB2 Query Management Facility (QMF™).

New and Revised Titles

The following list details the major changes to the IMS Version 9 library:

- *IMS Version 9: IMS Connect Guide and Reference*

The library includes new information: *IMS Version 9: IMS Connect Guide and Reference*. This information is available in softcopy format only, as part of the Information Management Software for z/OS Solutions Information Center, and in PDF and BookManager® formats.

IMS Version 9 provides an integrated IMS Connect function, which offers a functional replacement for the IMS Connect tool (program number 5655-K52). In this information, the term *IMS Connect* refers to the integrated IMS Connect function that is part of IMS Version 9, unless otherwise indicated.

- The information formerly titled *IMS Version 8: IMS Java User's Guide* is now titled *IMS Version 9: IMS Java Guide and Reference*. This information is available in softcopy format only, as part of the Information Management Software for z/OS Solutions Information Center, and in PDF and BookManager formats.
- To complement the IMS Version 9 library, a retail book, *An Introduction to IMS* by Dean H. Meltz, Rick Long, Mark Harrington, Robert Hain, and Geoff Nicholls (ISBN # 0-13-185671-5), is available from IBM Press. Go to the IMS Web site at www.ibm.com/ims for details.

Organizational Changes

Organization changes to the IMS Version 9 library include changes to:

- *IMS Version 9: Customization Guide*
- *IMS Version 9: IMS Java Guide and Reference*
- *IMS Version 9: Messages and Codes, Volume 1*
- *IMS Version 9: Utilities Reference: System*

A new appendix has been added to the *IMS Version 9: Customization Guide* that describes the contents of the ADFSSMPL (also known as SDFSSMPL) data set.

The chapter titled "DLIModel Utility" has moved from *IMS Version 9: IMS Java Guide and Reference* to *IMS Version 9: Utilities Reference: System*.

The DLIModel utility messages that were in *IMS Version 9: IMS Java Guide and Reference* have moved to *IMS Version 9: Messages and Codes, Volume 1*.

Terminology Changes

IMS Version 9 introduces new terminology for IMS commands:

type-1 command

A command, generally preceded by a leading slash character, that can be entered from any valid IMS command source. In IMS Version 8, these commands were called *classic* commands.

type-2 command

A command that is entered only through the OM API. Type-2 commands are more flexible than type-1 commands and can have a broader scope. In IMS Version 8, these commands were called *IMSplex* commands or *enhanced* commands.

Accessibility features for IMS

Accessibility features help a user who has a physical disability, such as restricted mobility or limited vision, to use information technology products successfully.

Accessibility features

The following list includes the major accessibility features in IMS. These features support:

- Keyboard-only operation.
- Interfaces that are commonly used by screen readers.

Note: The Information Management Software for z/OS Solutions Information Center, which is available at <http://publib.boulder.ibm.com/infocenter/imzic>, and its related publications are accessibility-enabled. You can operate all features using the keyboard instead of the mouse.

Keyboard navigation

You can access the information center and IMS ISPF panel functions by using a keyboard or keyboard shortcut keys.

You can find information about navigating the information center using a keyboard in the information center home at publib.boulder.ibm.com/infocenter/imzic.

For information about navigating the IMS ISPF panels using TSO/E or ISPF, refer to the *z/OS V1R1.0 TSO/E Primer*, the *z/OS V1R5.0 TSO/E User's Guide*, and the *z/OS V1R5.0 ISPF User's Guide, Volume 1*. These guides describe how to navigate each interface, including the use of keyboard shortcuts or function keys (PF keys). Each guide includes the default settings for the PF keys and explains how to modify their functions.

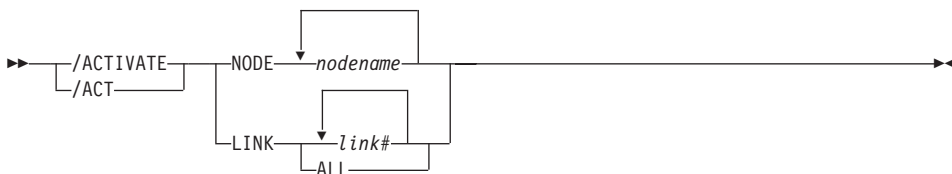
IBM and accessibility

See the *IBM Human Ability and Accessibility Center* at www.ibm.com/able for more information about the commitment that IBM has to accessibility.

Chapter 1. IMS Commands A - L

/ACTIVATE

Format



Environments and Keywords

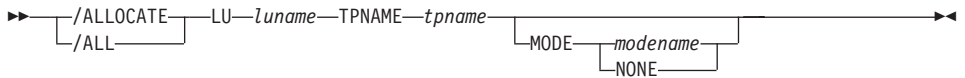
Table 2 lists the environments (DB/DC, DBCTL, and DCCTL) from which the command and keywords can be issued.

Table 2. Valid Environments for the /ACTIVATE Command and Keywords

Command / Keywords	DB/DC	DBCTL	DCCTL
/ACTIVATE	X		X
LINK	X		X
NODE	X		X

/ALLOCATE

Format



Environments and Keywords

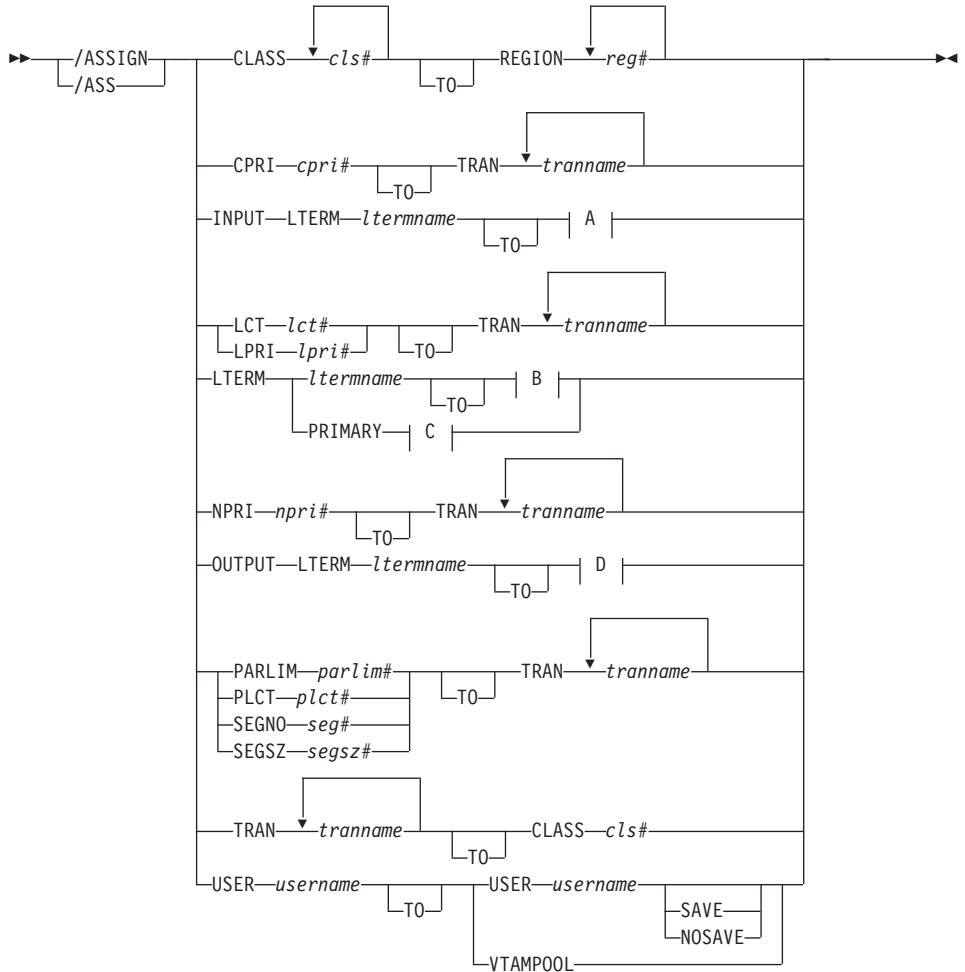
Table 3 lists the environments (DB/DC, DBCTL, and DCCTL) from which the command and keywords can be issued.

Table 3. Valid Environments for the /ALLOCATE Command and Keywords

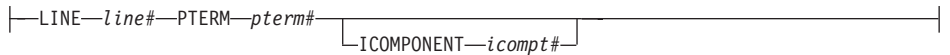
Command / Keywords	DB/DC	DBCTL	DCCTL
/ALLOCATE	X		X
LU	X		X
MODE	X		X
TPNAME	X		X

/ASSIGN

Format

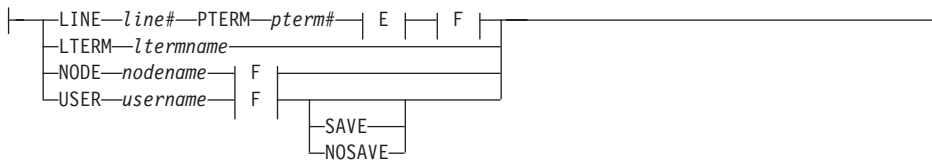


A:

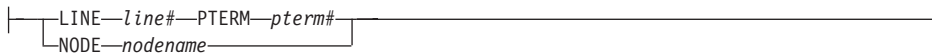


B:

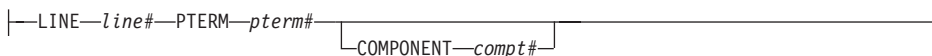
IMS Commands



C:



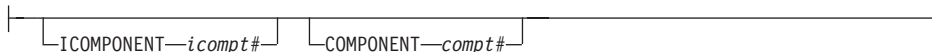
D:



E:



F:



Environments and Keywords

Table 4 lists the environments (DB/DC, DBCTL, and DCCTL) from which the command and keywords can be issued.

Table 4. Valid Environments for the /ASSIGN Command and Keywords

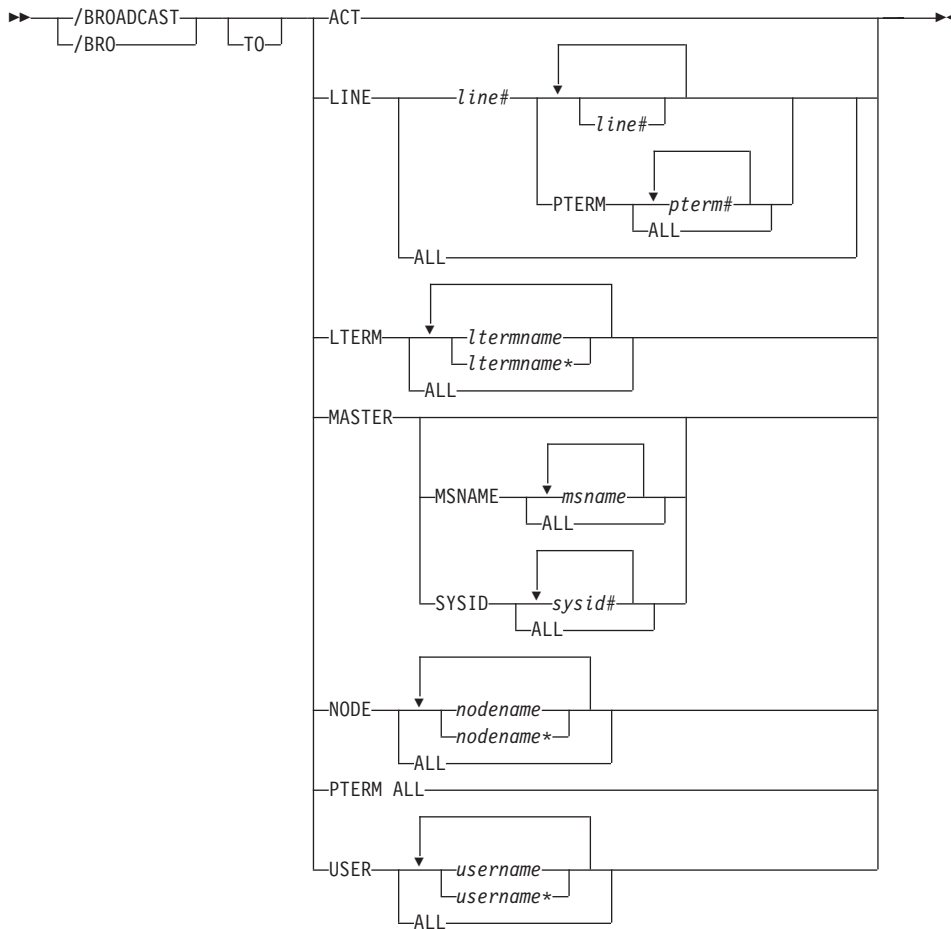
Command / Keywords	DB/DC	DBCTL	DCCTL
/ASSIGN	X		X
CLASS	X		X
COMPONENT	X		X
CPRI	X		X
ICOMPONENT	X		X
INPUT	X		X
LINE	X		X
LCT	X		X
LPRI	X		X

Table 4. Valid Environments for the /ASSIGN Command and Keywords (continued)

Command / Keywords	DB/DC	DBCTL	DCCTL
LTERM	X		X
NODE	X		X
NOSAVE	X		X
NPRI	X		X
OUTPUT	X		X
PARLIM	X		X
PLCT	X		X
PTERM	X		X
REGION	X		X
SAVE	X		X
SEGNO	X		X
SEGSZ	X		X
TRAN	X		X
USER	X		X
VTAMPOOL	X		X

/BROADCAST

Format



Environments and Keywords

Table 5 lists the environments (DB/DC, DBCTL, and DCCTL) from which the command and keywords can be issued.

Table 5. Valid Environments for the /BROADCAST Command and Keywords

Command / Keywords	DB/DC	DBCTL	DCCTL
/BROADCAST	X		X
ACT	X		X
LINE	X		X
LTERM	X		X

Table 5. Valid Environments for the /BROADCAST Command and Keywords (continued)

Command / Keywords	DB/DC	DBCTL	DCCTL
MASTER	X		X
MSNAME	X		X
NODE	X		X
PTERM	X		X
SYSID	X		X
USER	X		X

/CANCEL

Format



Environments

Table 6 lists the environments (DB/DC, DBCTL, and DCCTL) from which the command can be issued.

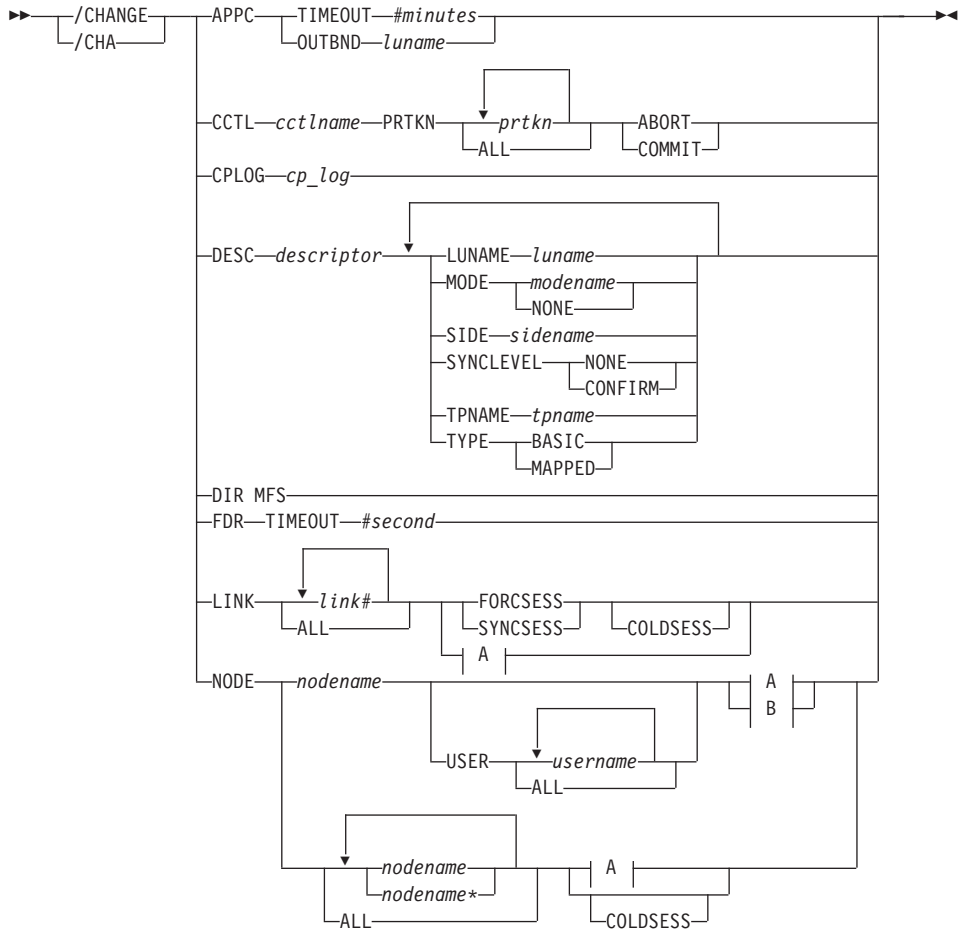
Table 6. Valid Environments for the /CANCEL Command

Command	DB/DC	DBCTL	DCCTL
/CANCEL	X		X

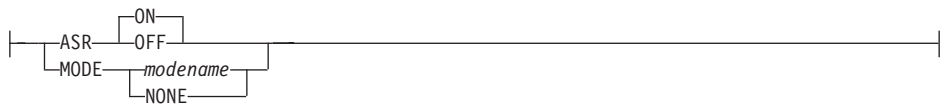
/CHANGE

Format

/CHANGE Command: APPC Through NODE



A:

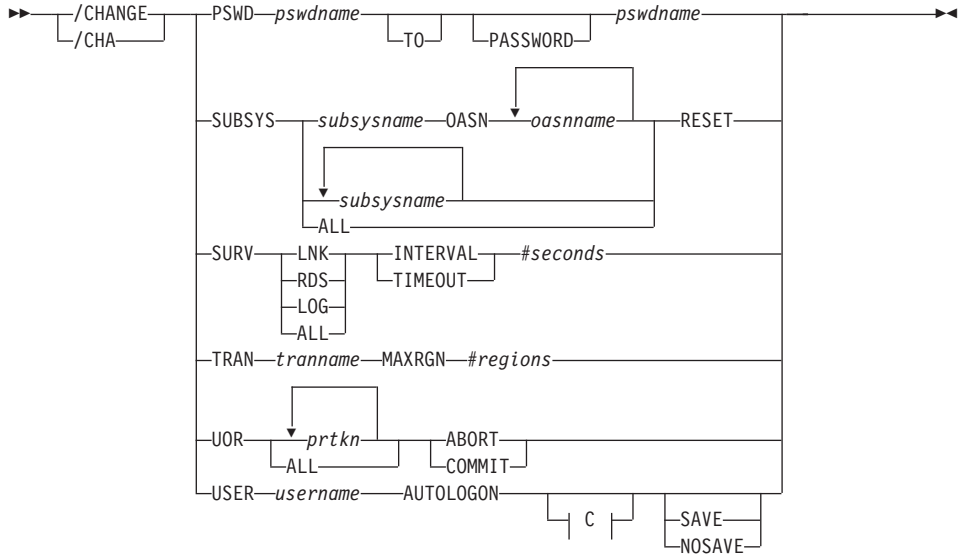


B:

IMS Commands



/CHANGE Command: OUTBNDThrough USER



C:



Environments and Keywords

Table 7 lists the environments (DB/DC, DBCTL, and DCCTL) from which the command and keywords can be issued.

Table 7. Valid Environments for the /CHANGE Command and Keywords

Command / Keywords	DB/DC	DBCTL	DCCTL
/CHANGE	X	X	X
ABORT	X	X	
APPC	X		X
ASR	X		X
AUTOLOGON	X		X

Table 7. Valid Environments for the /CHANGE Command and Keywords (continued)

Command / Keywords	DB/DC	DBCTL	DCCTL
CCTL	X	X	
COLDSESS	X		X
COMMIT	X	X	
CPLOG	X	X	X
DESC	X		X
DIR	X		X
FDR	X	X	
FORCSESS	X		X
ID	X		X
INTERVAL	X		X
LINK	X		X
LOGOND	X		X
LUNAME	X		X
MAXRGN	X		X
MODE	X		X
NODE	X		X
NOSAVE	X		X
OASN	X	X	X
OUTBND	X	X	X
PSWD	X	X	X
RESET	X	X	X
SAVE	X		X
SIDE	X		X
SUBSYS	X	X	X
SURV	X		X
SYNCLLEVEL	X		X
SYNCSSESS	X		X
TIMEOUT	X	X	X
TPNAME	X		X
TRAN	X		X
TYPE	X		X
UOR	X	X	

IMS Commands

Table 7. Valid Environments for the /CHANGE Command and Keywords (continued)

Command / Keywords	DB/DC	DBCTL	DCCTL
USER	X		X

/CHECKPOINT

Format

Shutdown Checkpoint



Attention: This command shuts down your IMS system. Be sure you understand the consequences of shutting down the system before you issue this command.

Simple Checkpoint



Statistics Checkpoint



Environments and Keywords

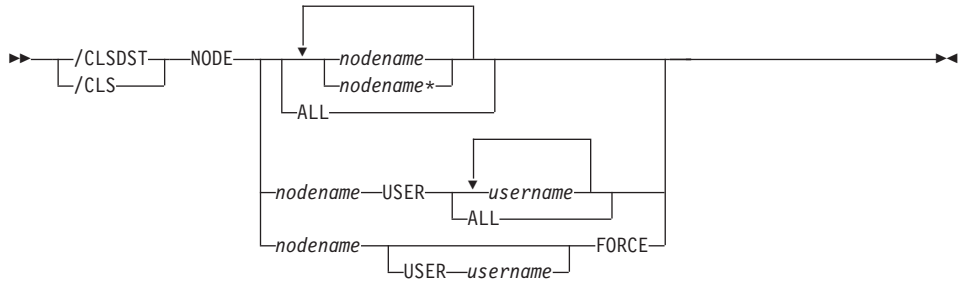
Table 8 lists the environments (DB/DC, DBCTL, and DCCTL) from which the command and keywords can be issued.

Table 8. Valid Environments for the /CHECKPOINT Command and Keywords

Command / Keyword	DB/DC	DBCTL	DCCTL
/CHECKPOINT	X	X	X
ABDUMP	X	X	X
DUMPQ	X		X
FREEZE	X	X	X
LEAVEPLEX	X	X	X
NOCQSSHUT	X		X
PURGE	X	X	X
QUIESCE	X		X
SNAPQ	X		X
STATISTICS	X	X	X

/CLSDST

Format



Environments and Keywords

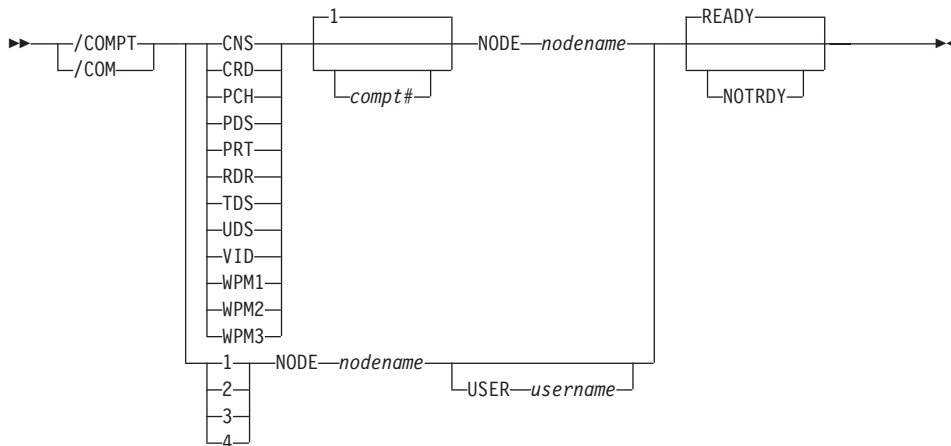
Table 9 lists the environments (DB/DC, DBCTL, and DCCTL) from which the command and keywords can be issued.

Table 9. Valid Environments for the /CLSDST Command and Keywords

Command / Keywords	DB/DC	DBCTL	DCCTL
/CLSDST	X		X
FORCE	X		X
NODE	X		X
USER	X		X

/COMPT

Format



Environments and Keywords

Table 10 lists the environments (DB/DC, DBCTL, and DCCTL) from which the command and keywords can be issued.

Table 10. Valid Environments for the /COMPT Command and Keywords

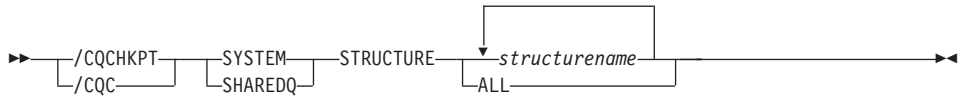
Command / Keywords	DB/DC	DBCTL	DCCTL
/COMPT	X		X
CNS	X		X
CRD	X		X
NODE	X		X
NOTRDY	X		X
PCH	X		X
PDS	X		X
PRT	X		X
RDR	X		X
READY	X		X
TDS	X		X
UDS	X		X
USER	X		X
VID	X		X
WPM1	X		X

Table 10. Valid Environments for the /COMPT Command and Keywords (continued)

Command / Keywords	DB/DC	DBCTL	DCCTL
WPM2	X		X
WPM3	X		X

/CQCHKPT

Format



Environments and Keywords

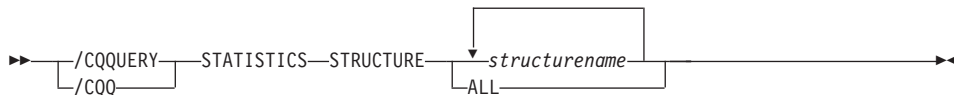
Table 11 lists the environments (DB/DC, DBCTL, and DCCTL) from which the command and keywords can be issued.

Table 11. Valid Environments for the /CQCHKPT Command and Keywords

Command / Keywords	DB/DC	DBCTL	DCCTL
/CQCHKPT	X		X
SHAREDQ	X		X
STRUCTURE	X		X
SYSTEM	X		X

/CQQUERY

Format



Environments and Keywords

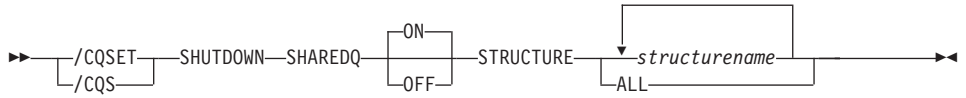
Table 12 lists the environments (DB/DC, DBCTL, and DCCTL) from which the command and keywords can be issued.

Table 12. Valid Environments for the /CQQUERY Command and Keywords

Command / Keywords	DB/DC	DBCTL	DCCTL
/CQQUERY	X		X
STATISTICS	X		X
STRUCTURE	X		X

/CQSET

Format



Environments and Keywords

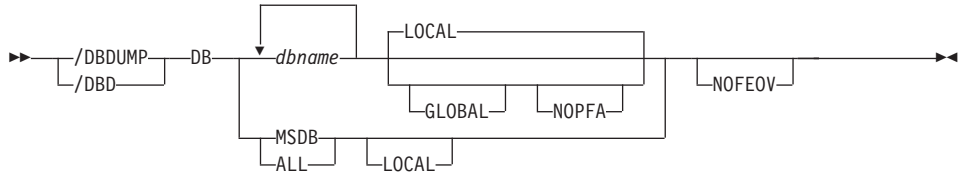
Table 13 lists the environments (DB/DC, DBCTL, and DCCTL) from which the command and keywords can be issued.

Table 13. Valid Environments for the /CQSET Command and Keywords

Command / Keyword	DB/DC	DBCTL	DCCTL
/CQSET	X		X
SHAREDQ	X		X
SHUTDOWN	X		X
STRUCTURE	X		X

/DBDUMP

Format



Environments and Keywords

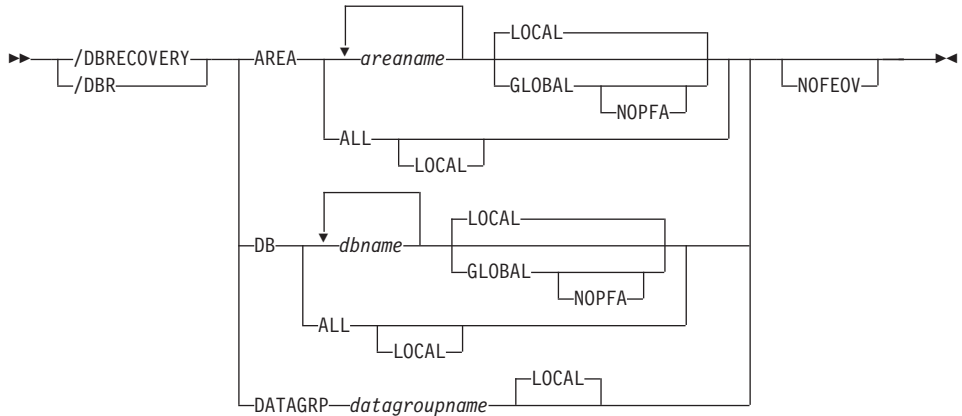
Table 14 lists the environments (DB/DC, DBCTL, and DCCTL) from which the command and keywords can be issued.

Table 14. Valid Environments for the /DBDUMP Command and Keywords

Command / Keywords	DB/DC	DBCTL	DCCTL
/DBDUMP	X	X	
DB	X	X	
GLOBAL	X	X	
LOCAL	X	X	
NOFEOV	X	X	
NOPFA	X	X	

/DBRECOVERY

Format



Environments and Keywords

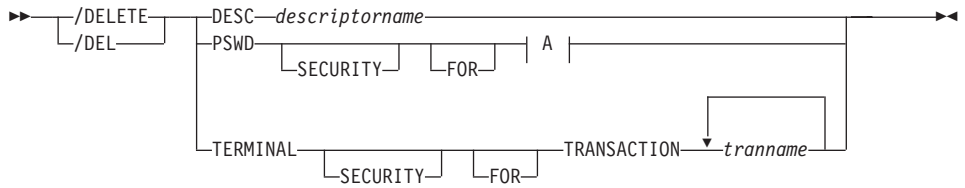
Table 15 lists the environments (DB/DC, DBCTL, and DCCTL) from which the command and keywords can be issued.

Table 15. Valid Environments for the /DBRECOVERY Command and Keywords

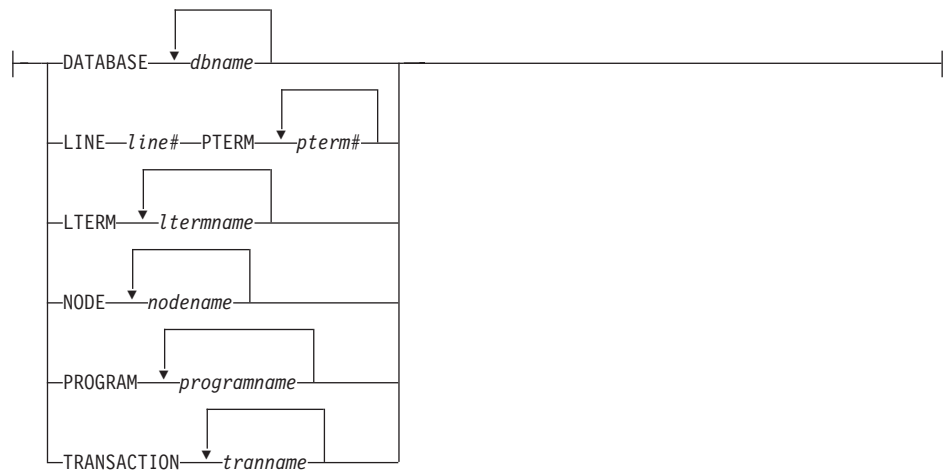
Command / Keywords	DB/DC	DBCTL	DCCTL
/DBRECOVERY	X	X	
AREA	X	X	
DB	X	X	
DATAGRP	X	X	
GLOBAL	X	X	
LOCAL	X	X	
NOFEOV	X	X	
NOPFA	X	X	

/DELETE

Format



A:



Environments and Keywords

Table 16 lists the environments (DB/DC, DBCTL, and DCCTL) from which the command and keywords can be issued.

Table 16. Valid Environments for the /DELETE Command and Keywords

Command / Keywords	DB/DC	DBCTL	DCCTL
/DELETE	X	X	X
DATABASE	X	X	
DESC	X		X
LINE	X		X
LTERM	X		X
NODE	X		X
PSWD	X	X	X

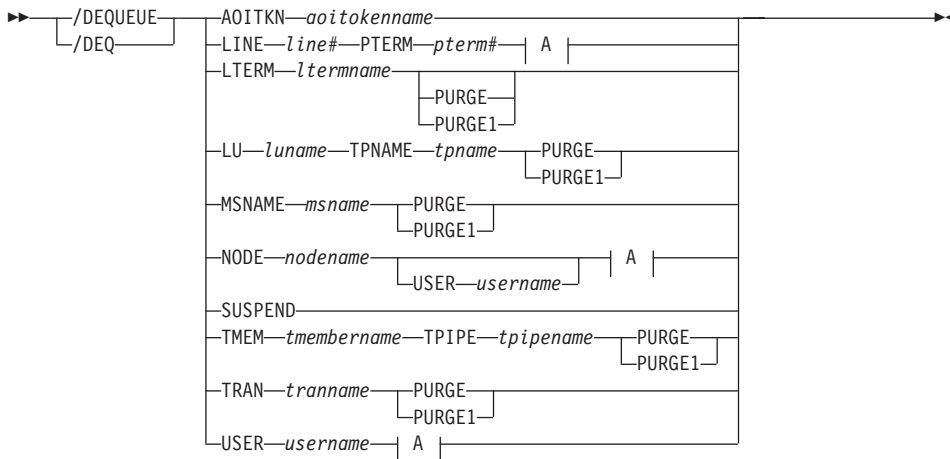
IMS Commands

Table 16. Valid Environments for the /DELETE Command and Keywords (continued)

Command / Keywords	DB/DC	DBCTL	DCCTL
PROGRAM	X	X	X
PTERM	X		X
TERMINAL	X		X
TRANSACTION	X		X

/DEQUEUE

Format



A:



Environments and Keywords

Table 18 lists the environments (DB/DC, DBCTL, and DCCTL) from which the command and keywords can be issued.

Table 18. Valid Environments for the /DEQUEUE Command and Keywords

Command / Keywords	DB/DC	DBCTL	DCCTL
/DEQUEUE	X	X	X
AOITKN	X	X	X
LINE	X		X
LTERM	X		X
LU	X		X
MSNAME	X		X
NODE	X		X
PTERM	X		X
PURGE	X		X

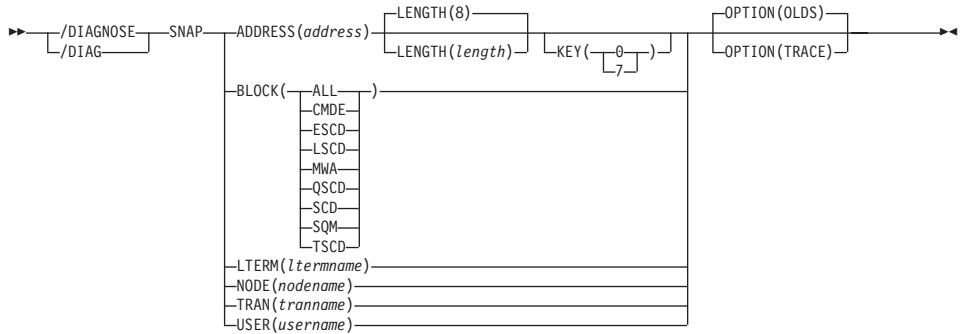
Table 18. Valid Environments for the /DEQUEUE Command and Keywords (continued)

Command / Keywords	DB/DC	DBCTL	DCCTL
PURGE1	X		X
SUSPEND	X		X
TMEM	X		X
TPIPE	X		X
TPNAME	X		X
TRAN	X		X
USER	X		X

/DIAGNOSE

Format

X



X

X

Environments

Table 19 lists the environments (DB/DC, DBCTL, and DCCTL) from which the command can be issued.

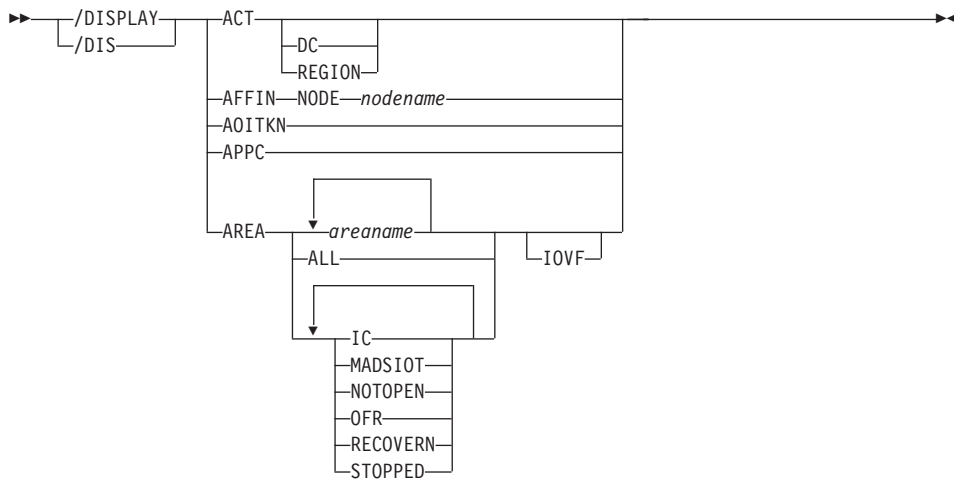
Table 19. Valid Environments for the /DIAGNOSE Command and Keywords

Command / Keywords	DB/DC	DBCTL	DCCTL
/DIAGNOSE	X	X	X
ADDRESS	X	X	X
BLOCK	X	X	X
LTERM	X		X
NODE	X		X
OPTION	X	X	X
SNAP	X	X	X
TRAN	X		X
USER	X		X

/DISPLAY

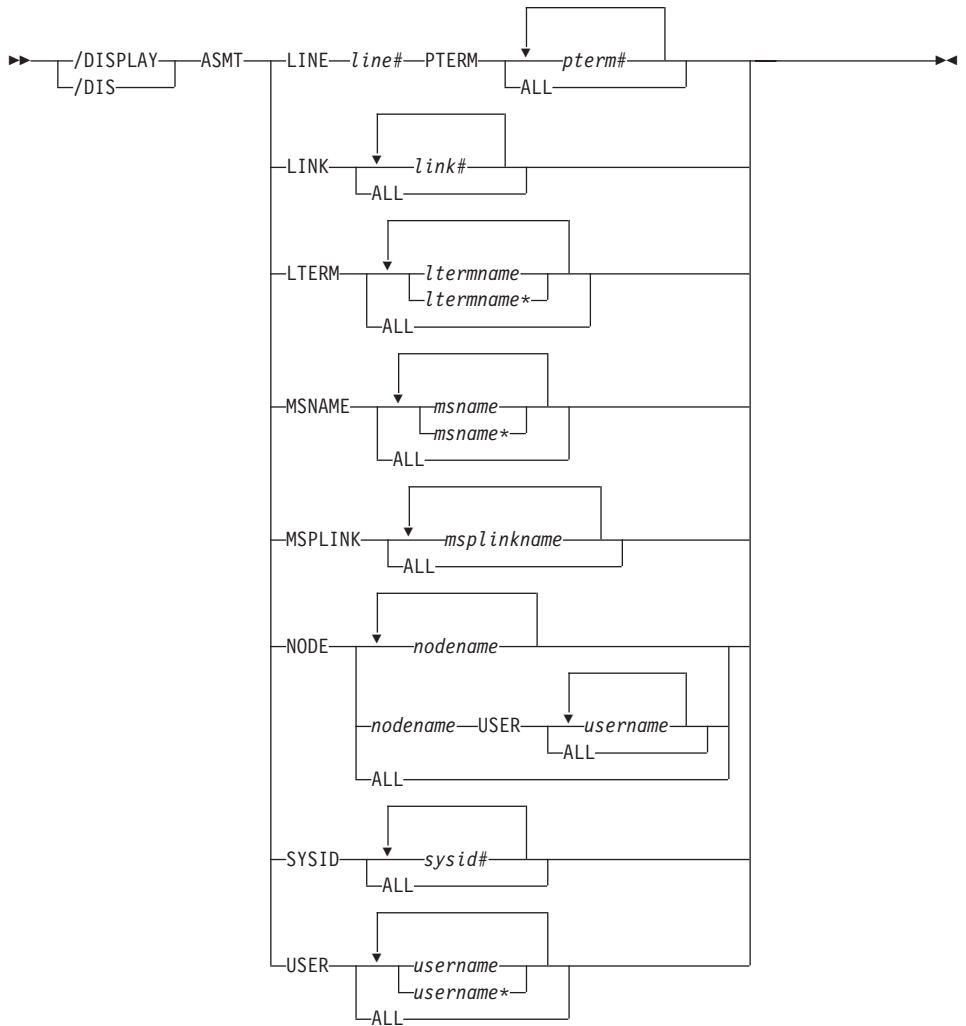
Format

/DISPLAY ACTIVE Command

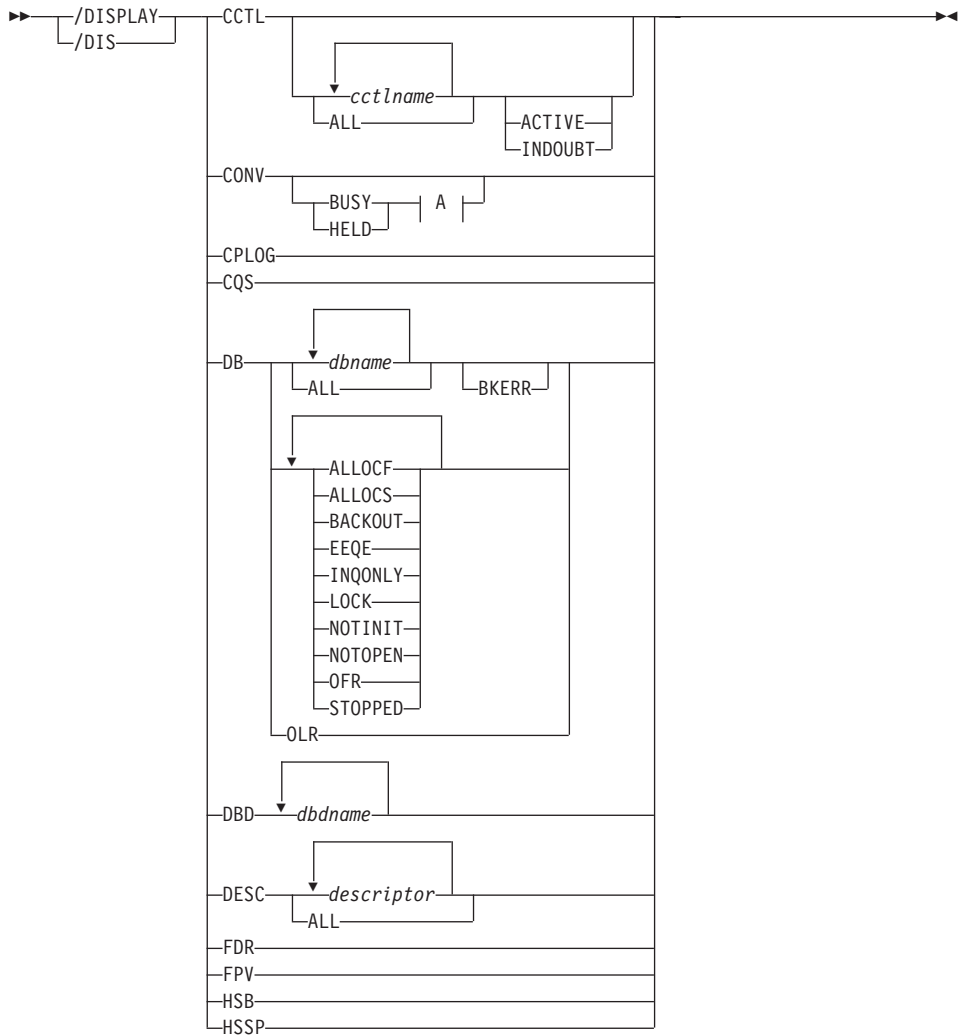


IMS Commands

/DISPLAY ASSIGNMENT Command

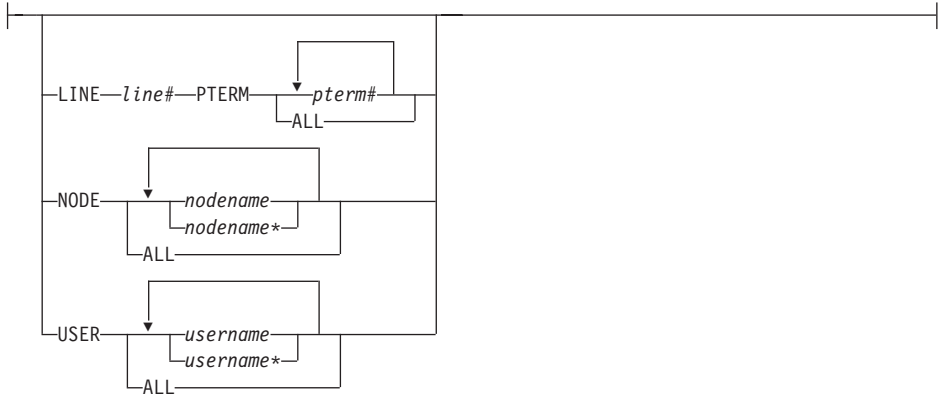


/DISPLAY Command: CCTL Through HSSP

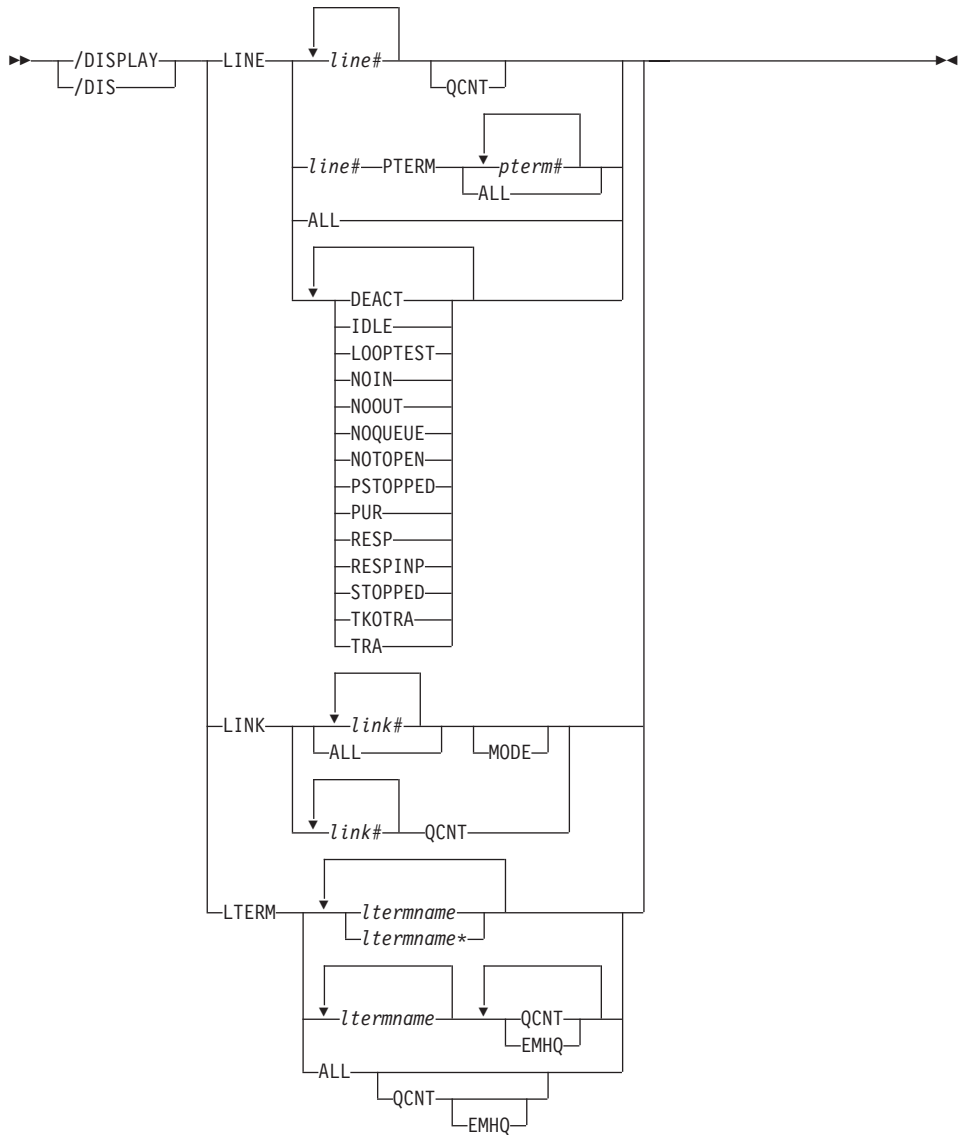


A:

IMS Commands

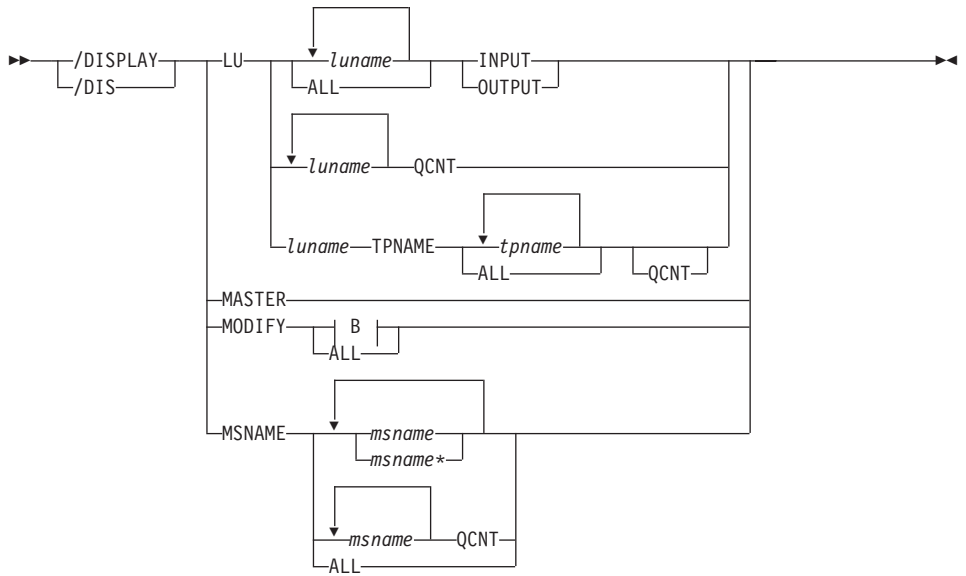


/DISPLAY Command: LINE through LTERM



IMS Commands

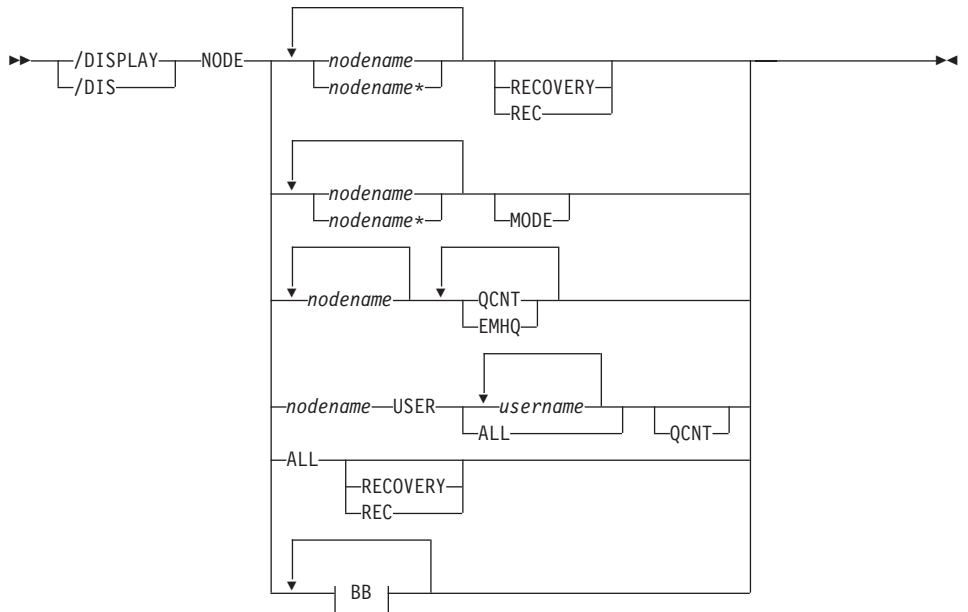
/DISPLAY Command: LU through MSNAME



B:



/DISPLAY NODE Command

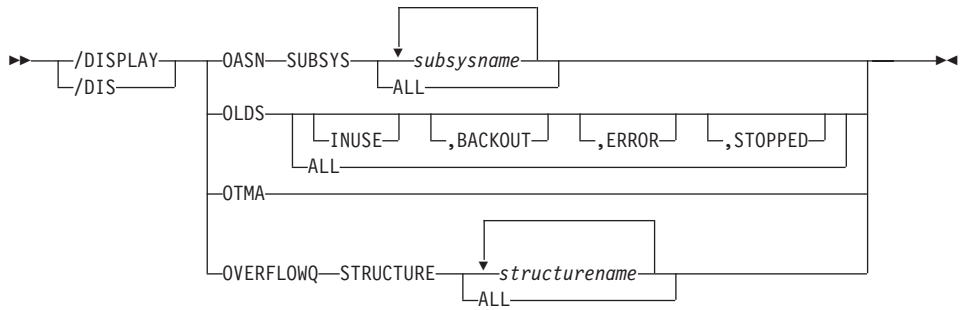


BB:

IMS Commands

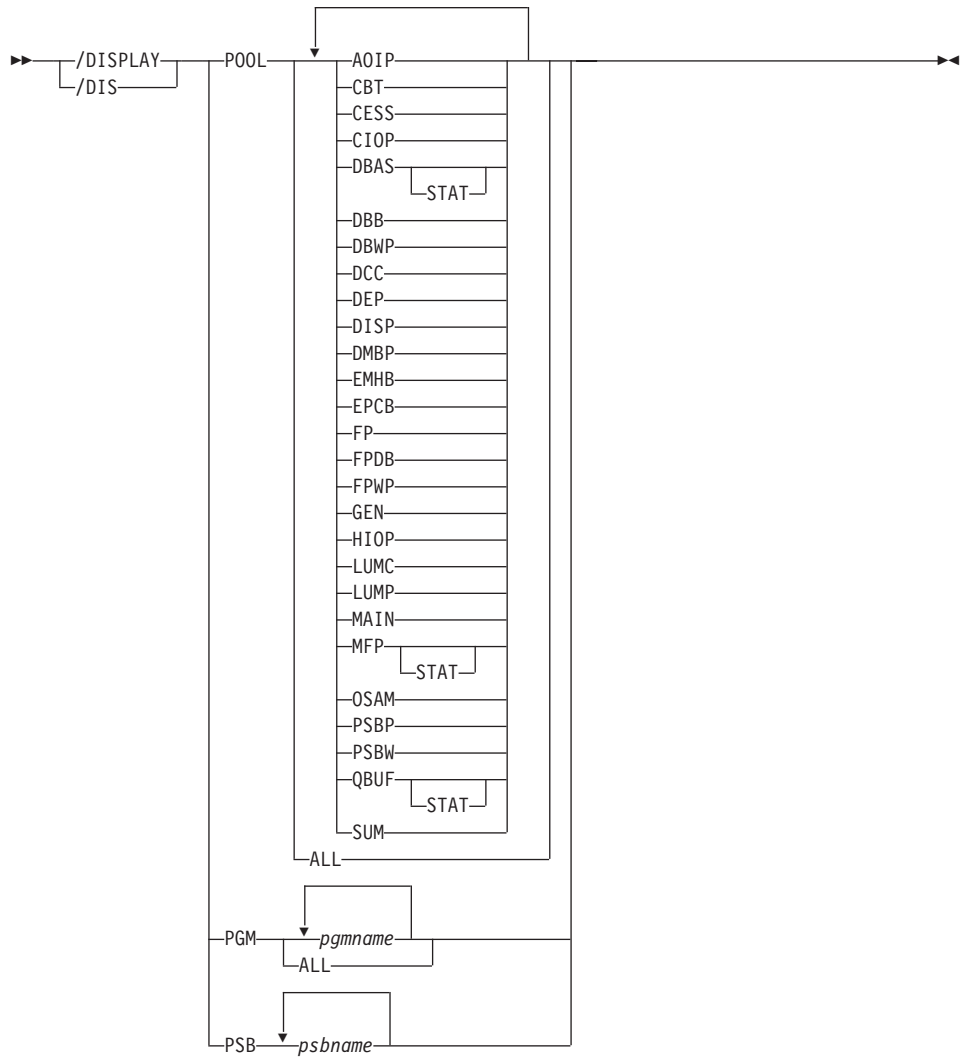
ACTIV
AUTOSR
BCKUP
CLSDST
CON
CONVACT
CONVHLD
C1INOP
C2INOP
C3INOP
C4INOP
DEACT
EXCL
FORCES
IDLE
INOP
LOCK
LOST
MFST
OPNDST
PAGE
PRI
PRST
QUI
RELREQ
RESP
RESPINP
RESYNC
SEC
SHUT
SIGN
SIMLOGON
STATIC
STOPPED
TEST
TKOTRA
TRA

/DISPLAY Command: OASN through OVERFLOWQ

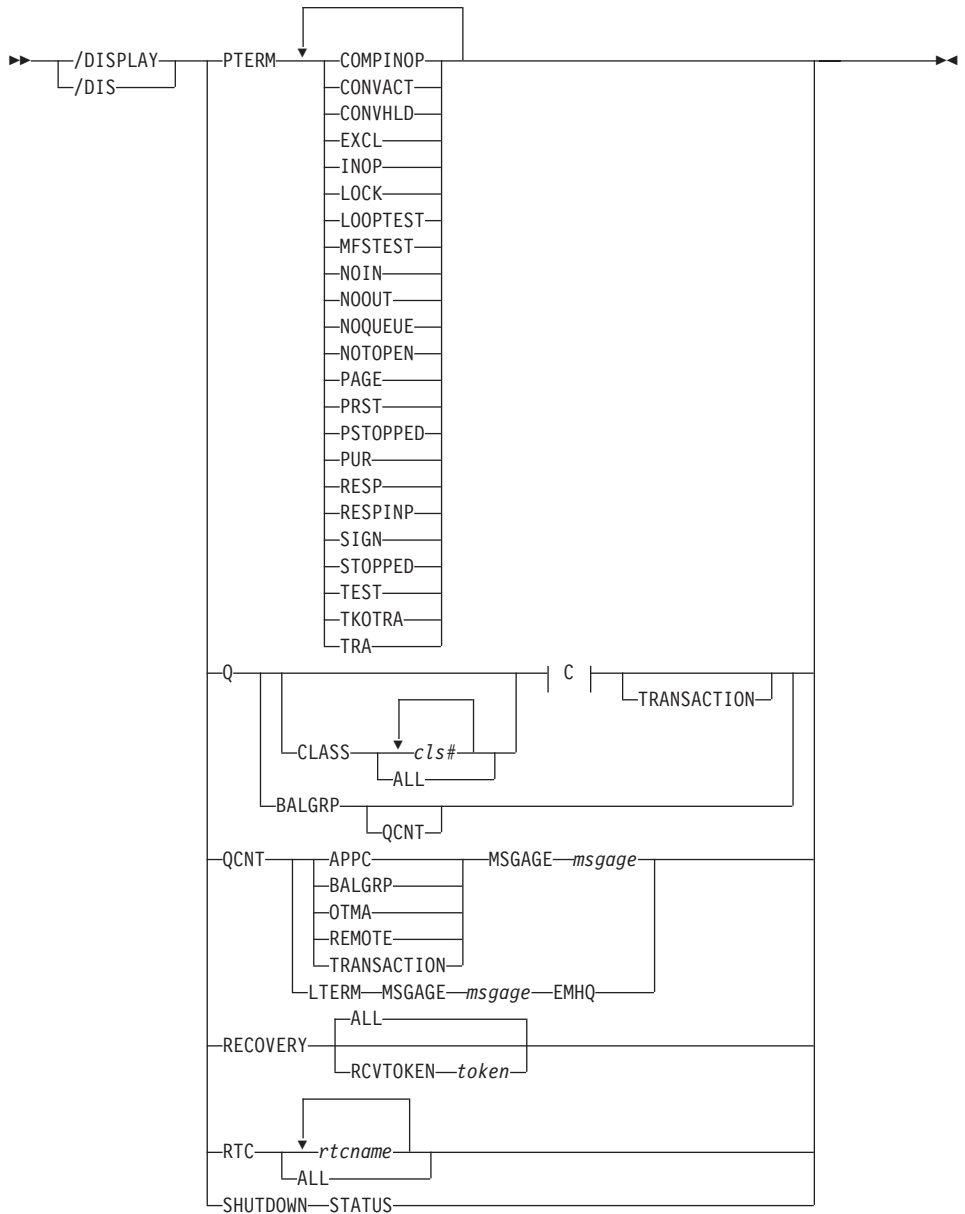


IMS Commands

/DISPLAY Command: POOL through PSB



/DISPLAY Command: PTERM through SHUTDOWN STATUS

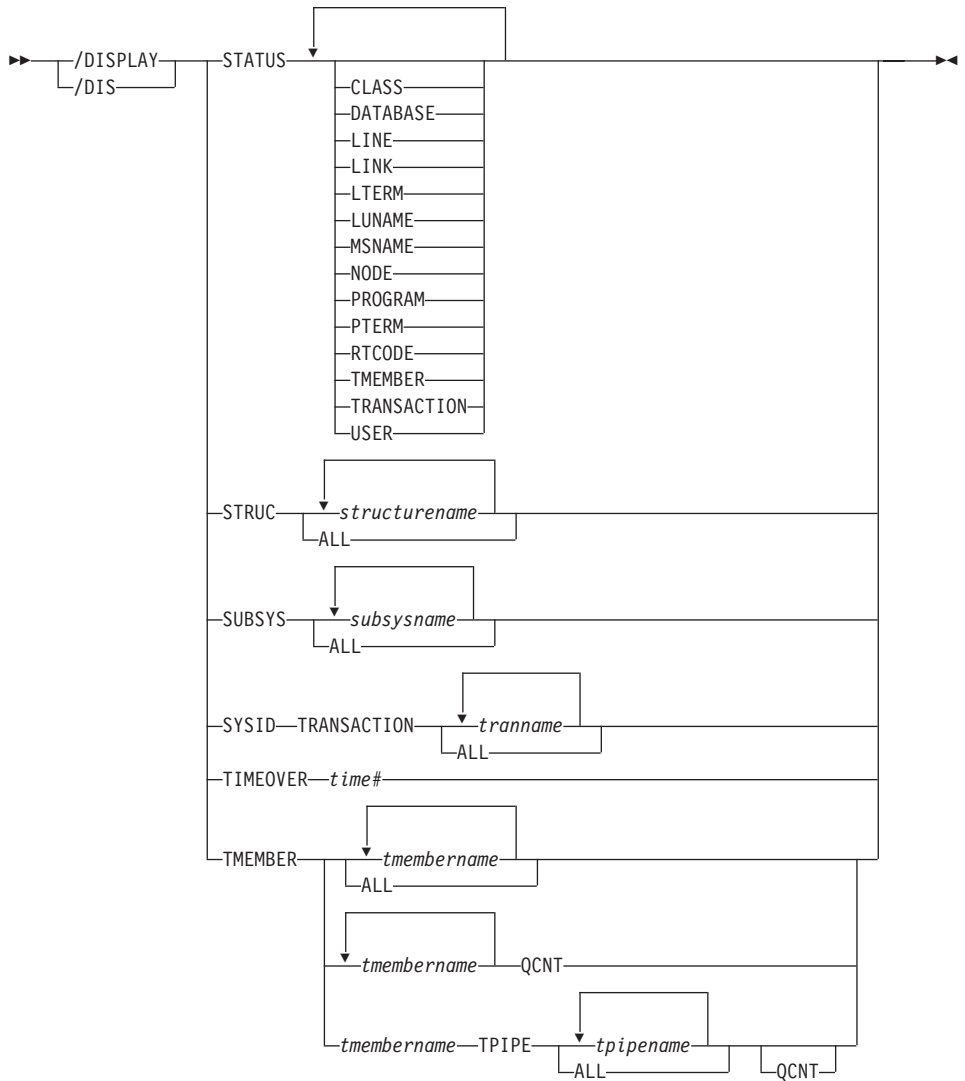


C:

IMS Commands

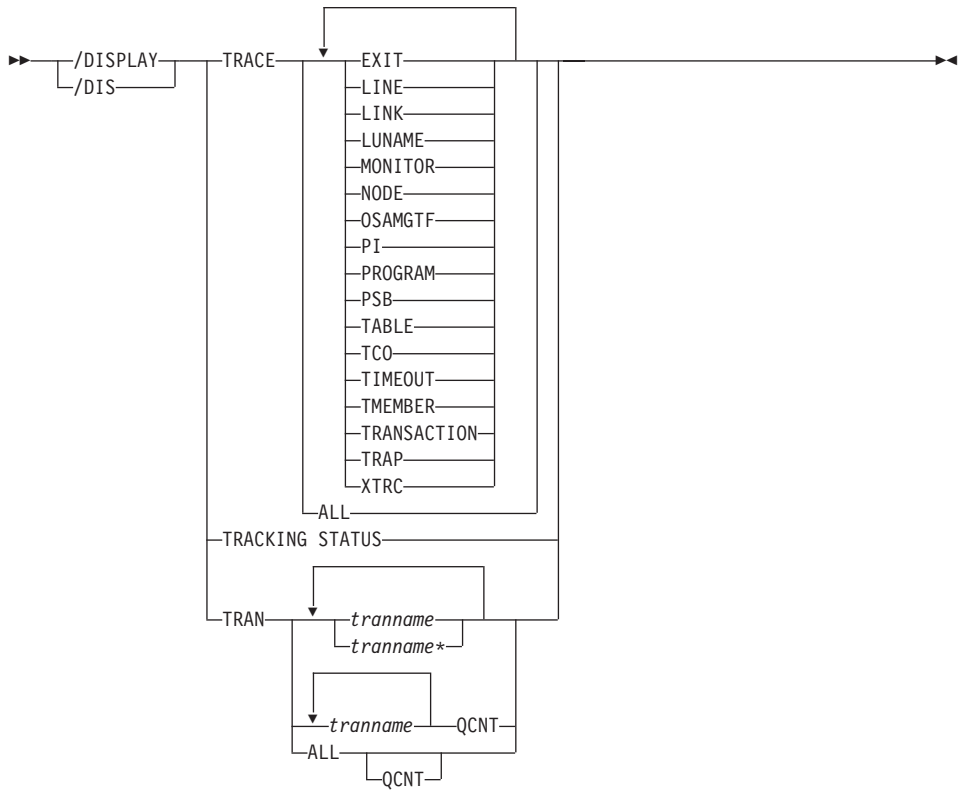


/DISPLAY Command: STATUS through TMEM

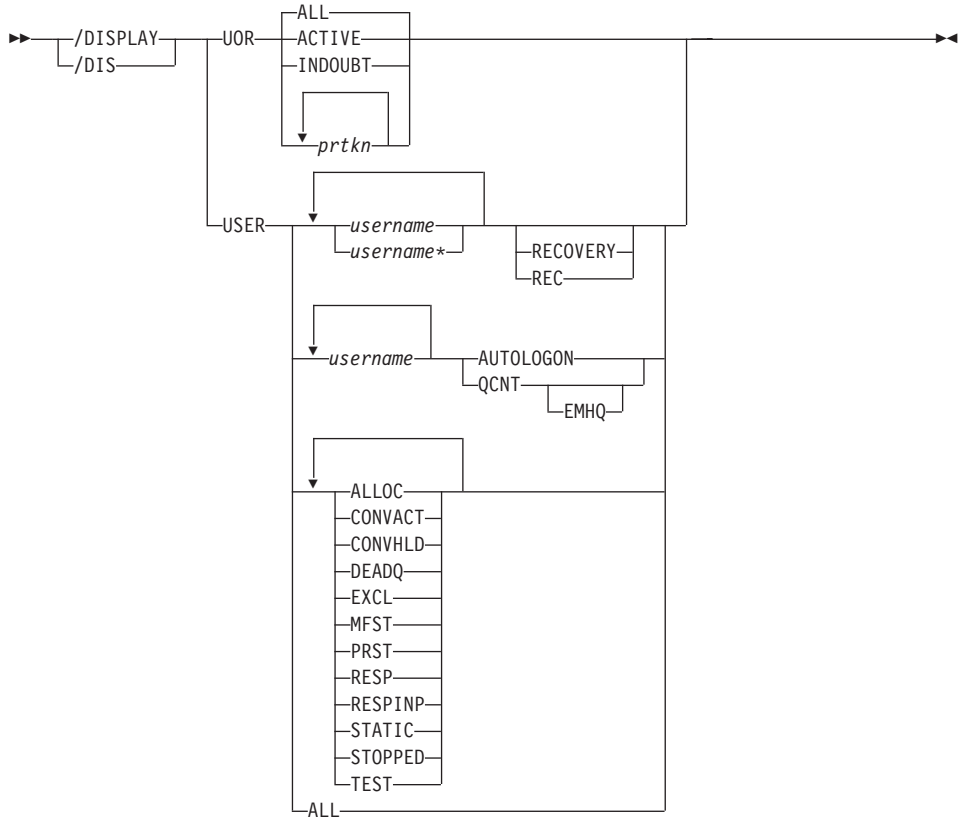


IMS Commands

/DISPLAY Command: TRACE through TRAN



/DISPLAY Command: UOR through USER



Environments and Keywords

Table 20 lists the environments (DB/DC, DBCTL, and DCCTL) from which the command and keywords can be issued.

Table 20. Valid Environments for the /DISPLAY Command and Keywords

Command / Keywords	DB/DC	DBCTL	DCCTL
/DISPLAY	X	X	X
ACT	X	X	X
AFFIN	X		X
AOITKN	X	X	X
APPC	X		X
AREA	X	X	
ASMT	X		X
AUTOLOGON	X		X
BALGRP	X		X
BKERR	X	X	
CCTL	X	X	
CLASS	X		X
CONV	X		X
CPLOG	X	X	X
CQS	X		X
DB	X	X	
DBD	X	X	
DC	X		X
DESC	X		X
EMHQ	X		X
EXIT	X		X
FDR	X	X	
FPV	X	X	
HSB	X		X
HSSP	X	X	
INDOUBT	X	X	
INPUT	X		X
LINE	X		X
LINK	X		X

Table 20. Valid Environments for the /DISPLAY Command and Keywords (continued)

Command / Keywords	DB/DC	DBCTL	DCCTL
LTERM	X		X
LU	X		X
MADSIOT	X	X	
MASTER	X		X
MODE	X		X
MODIFY	X	X	X
MONITOR	X	X	X
MSGAGE	X		X
MSNAME	X		X
MSPLINK	X		X
NODE	X		X
OASN	X	X	X
OLDS	X	X	X
OSAMGTF	X	X	
OTMA	X		X
OUTPUT	X		X
OVERFLOWQ	X		X
PI	X	X	
PGM	X	X	X
POOL	X	X	X
PRIORITY	X		X
PSB	X	X	X
PTERM	X		X
Q	X		X
QCNT	X		X
RECOVERY	X	X	
REGION	X	X	X
REMOTE	X		X
RTC	X		X
SHUTDOWN	X	X	X
STATUS	X	X	X
STRUC	X		X

IMS Commands

Table 20. Valid Environments for the /DISPLAY Command and Keywords (continued)

Command / Keywords	DB/DC	DBCTL	DCCTL
SUBSYS	X	X	X
SYSID	X		X
TABLE	X	X	X
TCO	X	X	X
TIMEOUT	X		X
TIMEOVER	X		X
TMEM	X		X
TPIPE	X		X
TPNAME	X		X
TRACE	X	X	X
TRACKING	X	X	X
TRAN	X		X
TRAP	X		X
UOR	X	X	
USER	X		X
XTRC	X	X	X

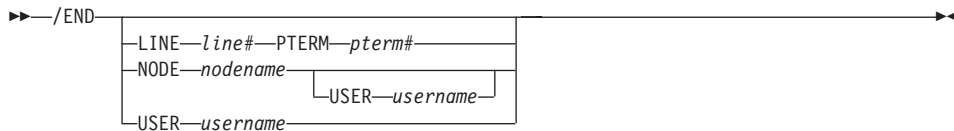
/END**Format****Environments and Keywords**

Table 21 lists the environments (DB/DC, DBCTL, and DCCTL) from which the command and keywords can be issued.

Table 21. Valid Environments for the /END Command and Keywords

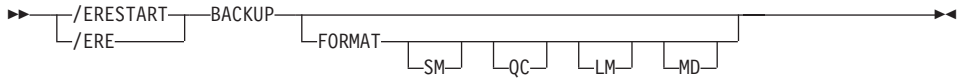
Command / Keywords	DB/DC	DBCTL	DCCTL
/END	X		X
LINE	X		X
NODE	X		X
PTERM	X		X
USER	X		X

/ERESTART

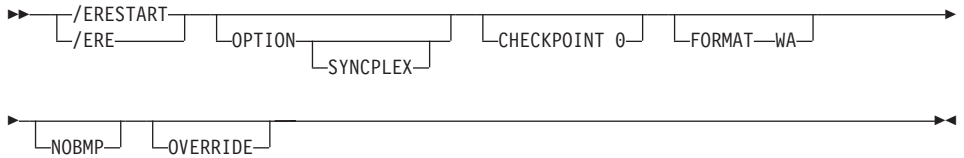
Format

Manual Restart of an XRF Alternate System

Use this command only after the active system issues message DFS3804I.

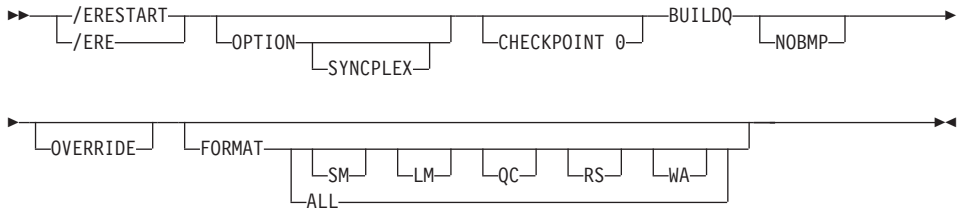


Restart of IMS Following Loss of Virtual Storage Only

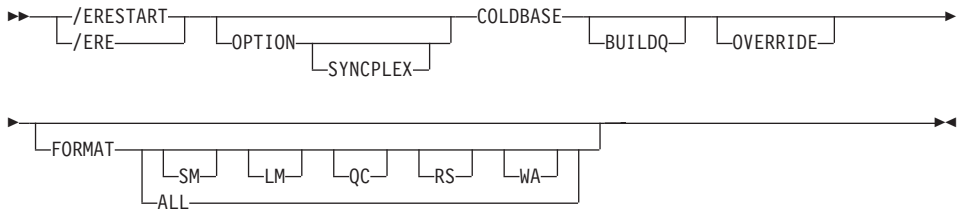


Restart of IMS Following Loss of Virtual Storage and Message Queue Data Set Integrity

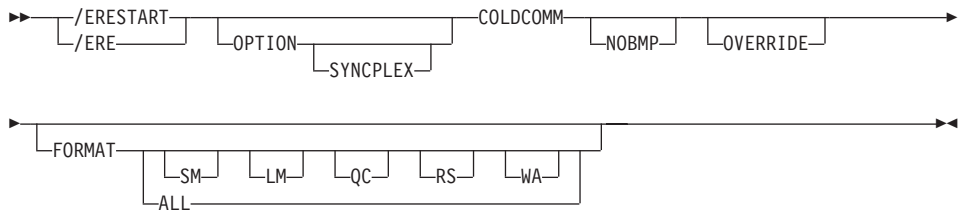
The message queues have not been dumped to the system log since the most recent cold start.



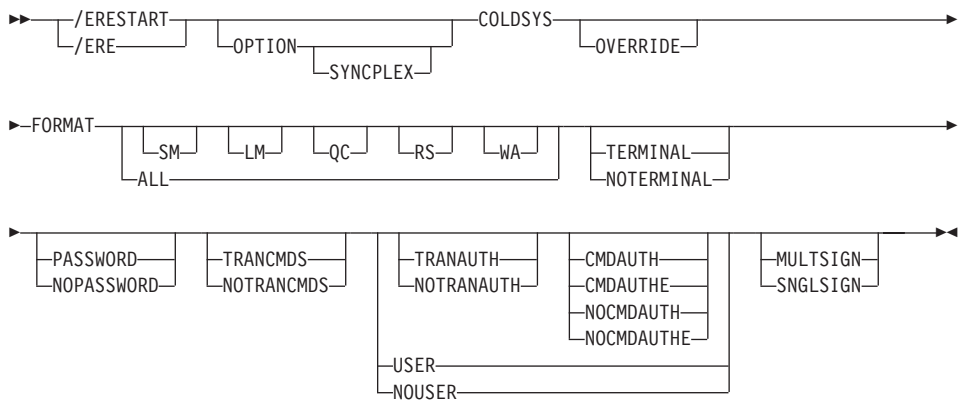
Restart of IMS Following /ERESTART Failure of the Database Component



Restart of IMS Following /ERESTART Failure of Communication Component



Restart of IMS Following /ERESTART Failure of Both the Database and Communication Components



Environments and Keywords

Table 22 lists the environments (DB/DC, DBCTL, and DCCTL) from which the command and keywords can be issued.

Table 22. Valid Environments for the /ERESTART Command and Keywords

Command / Keywords	DB/DC	DBCTL	DCCTL
/ERESTART	X	X	X
BACKUP	X		X
BUILDQ	X		X
CHECKPOINT	X	X	X
CMDAUTH	X		X
CMDAUTHE	X		X
COLDBASE	X	X	
COLDCOMM	X		X
COLDSYS	X	X	X

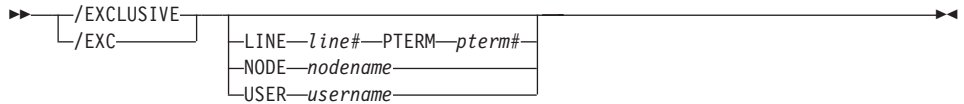
IMS Commands

Table 22. Valid Environments for the /ERESTART Command and Keywords (continued)

Command / Keywords	DB/DC	DBCTL	DCCTL
FORMAT	X	X	X
MULTSIGN	X		X
NOBMP	X	X	X
NOCMDAUTH	X		X
NOCMDAUTH	X		X
NOPASSWORD	X		X
NOTERMINAL	X		X
NOTRANAUTH	X		X
NOTRANCMD	X		X
NOUSER	X		X
OPTION	X	X	X
OVERRIDE	X	X	X
PASSWORD	X		X
SNGLSIGN	X		X
TERMINAL	X		X
TRANAUTH	X		X
TRANCMD	X		X
USER	X		X

/EXCLUSIVE

Format



Environments and Keywords

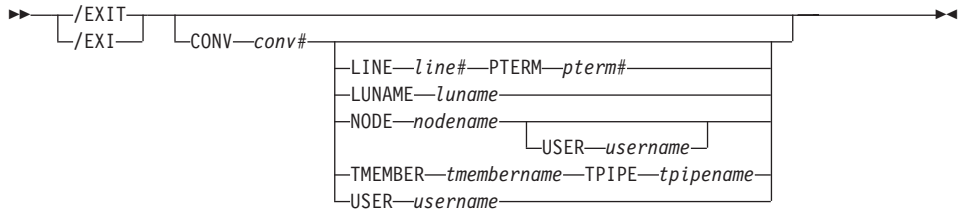
Table 23 lists the environments (DB/DC, DBCTL, and DCCTL) from which the command and keywords can be issued.

Table 23. Valid Environments for the /EXCLUSIVE Command and Keywords

Command / Keywords	DB/DC	DBCTL	DCCTL
/EXCLUSIVE	X		X
LINE	X		X
NODE	X		X
PTERM	X		X
USER	X		X

/EXIT

Format



Environments and Keywords

Table 24 lists the environments (DB/DC, DBCTL, and DCCTL) from which the command and keywords can be issued.

Table 24. Valid Environments for the /EXIT Command and Keywords

Command / Keywords	DB/DC	DBCTL	DCCTL
/EXIT	X		X
CONVERSATION	X		X
LINE	X		X
LUNAME	X		X
NODE	X		X
PTERM	X		X
TMEMBER TPIPE	X		X
USER	X		X

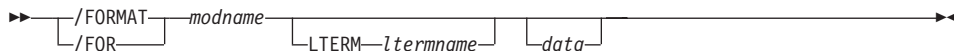
/FORMAT**Format****Environments and Keywords**

Table 25 lists the environments (DB/DC, DBCTL, and DCCTL) from which the command and keyword can be issued.

Table 25. Valid Environments for the /FORMAT Command and Keyword

Command / Keyword	DB/DC	DBCTL	DCCTL
/FORMAT	X		X
LTERM	X		X

/HOLD

Format



Environments

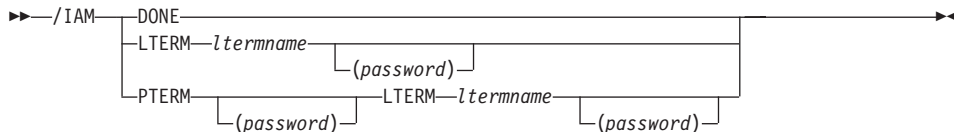
Table 26 lists the environments (DB/DC, DBCTL, and DCCTL) from which the command can be issued.

Table 26. Valid Environments for the /HOLD Command

Command	DB/DC	DBCTL	DCCTL
/HOLD	X		X

/IAM

Format



Environments and Keywords

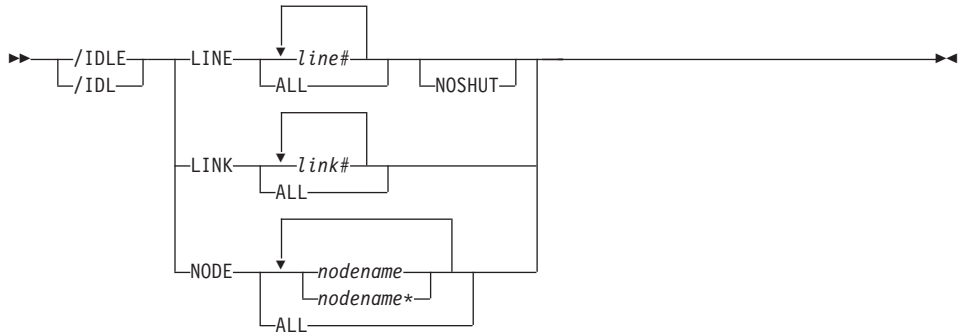
Table 27 lists the environments (DB/DC, DBCTL, and DCCTL) from which the command and keywords can be issued.

Table 27. Valid Environments for the /IAM Command and Keywords

Command / Keywords	DB/DC	DBCTL	DCCTL
/IAM	X		X
DONE	X		X
LTERM	X		X
PTERM	X		X

/IDLE

Format



Environments and Keywords

Table 28 lists the environments (DB/DC, DBCTL, and DCCTL) from which the command and keywords can be issued.

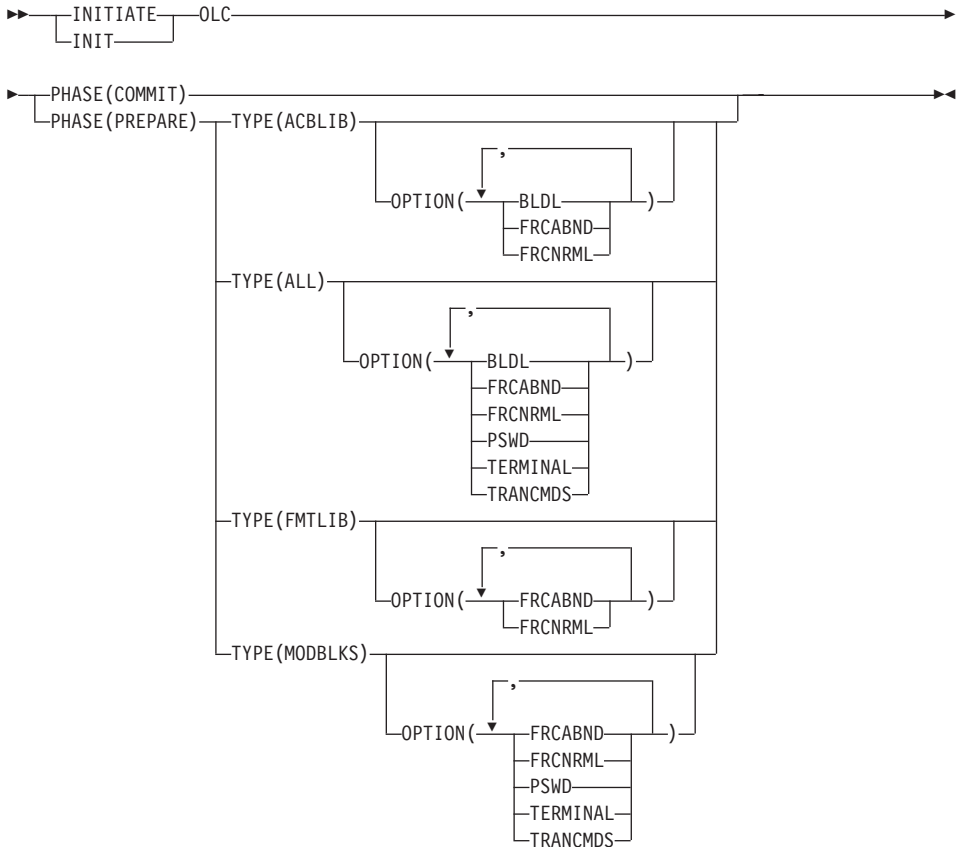
Table 28. Valid Environments for the /IDLE Command and Keywords

Command / Keywords	DB/DC	DBCTL	DCCTL
/IDLE	X		X
LINE	X		X
LINK	X		X
NODE	X		X
NOSHUT	X		X

INITIATE

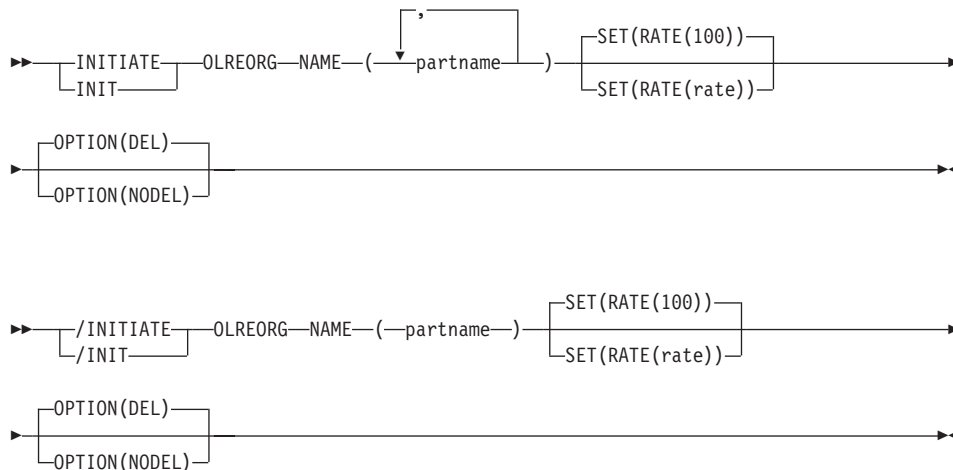
Format

INITIATE OLC



INITIATE OLREORG

IMS Commands



Environments and Keywords

Table 29 and Table 30 on page 59 lists the environments (DB/DC, DBCTL, and DCCTL) from which the `INITIATE` command and keywords can be issued.

Table 29. Valid Environments for the `INITIATE` OLC Command and Keywords

Command / Keywords	DB/DC	DBCTL	DCCTL
<code>INITIATE OLC</code>	X	X	X
<code>ACBLIB</code>	X	X	X
<code>BLDL</code>	X	X	X
<code>FMTLIB</code>	X		X
<code>FRCABND</code>	X	X	X
<code>FRCNRML</code>	X	X	X
<code>MODBLKS</code>	X	X	X
<code>OPTION</code>	X	X	X
<code>PHASE</code>	X	X	X
<code>PSWD</code>	X	X	X
<code>TERMINAL</code>	X		X
<code>TRANCMDS</code>	X		X
<code>TYPE</code>	X	X	X

Table 30. Valid Environments for the INITIATE OLREORG Command and Keywords

Command / Keywords	DB/DC	DBCTL	DCCTL
INITIATE OLREORG	X	X	
NAME	X	X	
SET	X	X	
OPTION	X	X	

/LOG**Format**▶▶—/LOG—*text*—▶▶**Environments**

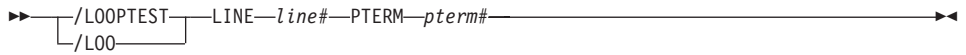
Table 32 lists the environments (DB/DC, DBCTL, and DCCTL) from which the command can be issued.

Table 32. Valid Environments for the /LOG Command

Command	DB/DC	DBCTL	DCCTL
/LOG	X	X	X

/LOOPTEST

Format



Environments and Keywords

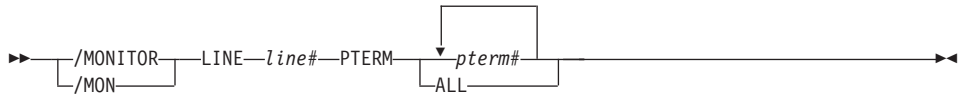
Table 33 lists the environments (DB/DC, DBCTL, and DCCTL) from which the command and keywords can be issued.

Table 33. Valid Environments for the /LOOPTEST Command and Keywords

Command / Keywords	DB/DC	DBCTL	DCCTL
/LOOPTEST	X		X
LINE	X		X
PTERM	X		X

/MONITOR

Format



Environments and Keywords

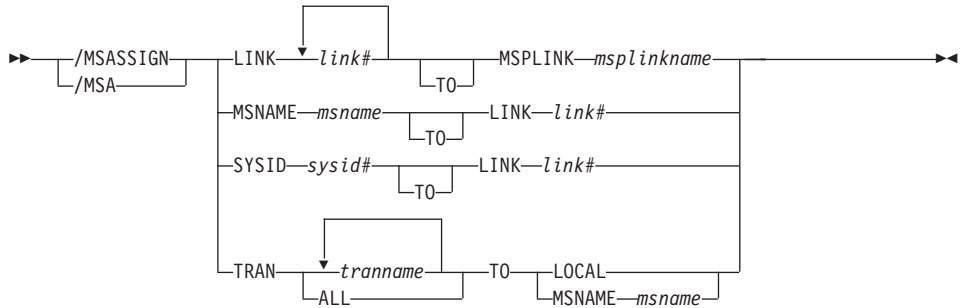
Table 35 lists the environments (DB/DC, DBCTL, and DCCTL) from which the command and keywords can be issued.

Table 35. Valid Environments for the /MONITOR Command and Keywords

Command / Keywords	DB/DC	DBCTL	DCCTL
/MONITOR	X		X
LINE	X		X
PTERM	X		X

/MSASSIGN

Format



Environments and Keywords

Table 36 lists the environments (DB/DC, DBCTL, and DCCTL) from which the command and keywords can be issued.

Table 36. Valid Environments for the /MSASSIGN Command and Keywords

Command / Keywords	DB/DC	DBCTL	DCCTL
/MSASSIGN	X		X
LINK	X		X
LOCAL	X		X
MSNAME	X		X
MSPLINK	X		X
SYSID	X		X
TRAN	X		X

/MSVERIFY

Format



Environments and Keywords

Table 37 lists the environments (DB/DC, DBCTL, and DCCTL) from which the command and keywords can be issued.

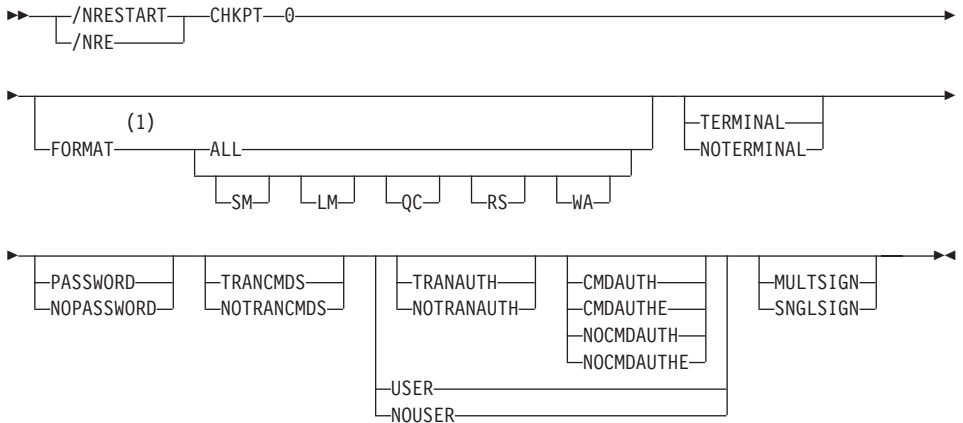
Table 37. Valid Environments for the /MSVERIFY Command and Keywords

Command / Keywords	DB/DC	DBCTL	DCCTL
/MSVERIFY	X		X
MSNAME	X		X
SYSID	X		X

/NRESTART

Format

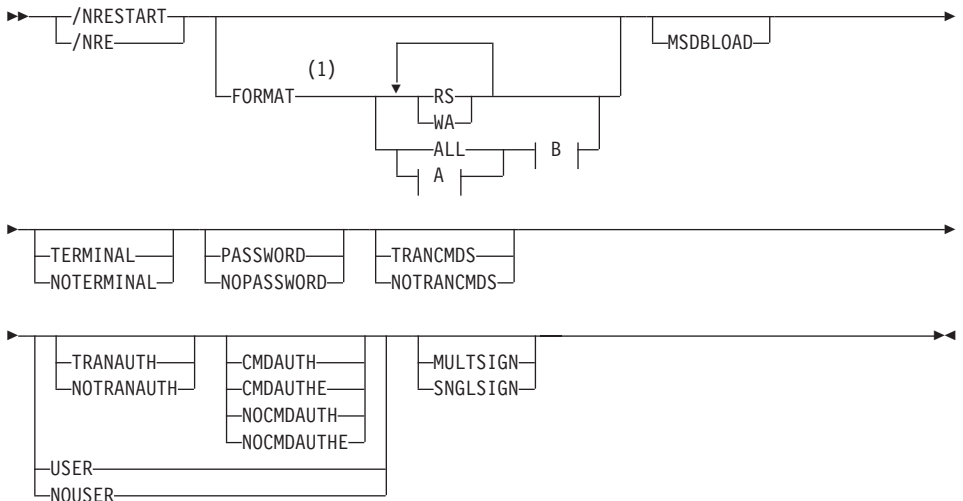
Cold Start With No Previous Shutdown



Notes:

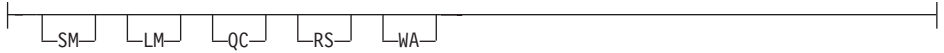
- 1 The FORMAT keyword must be followed by at least one of the SM, LM, QC, RS, WA, or ALL parameters.

Warm Start After a /CHECKPOINT FREEZE Command

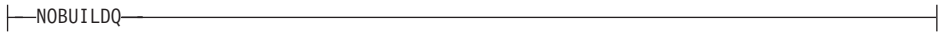


IMS Commands

A:



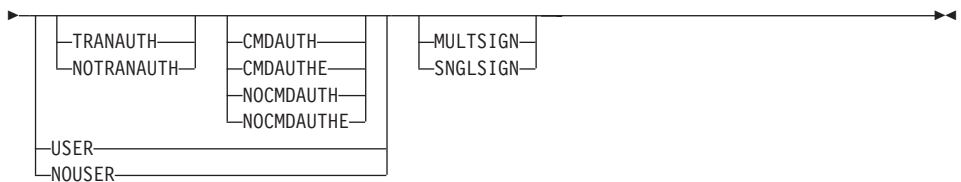
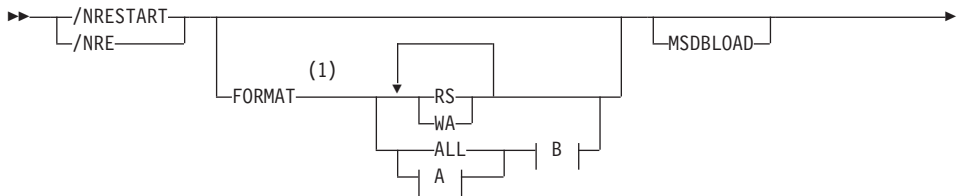
B:



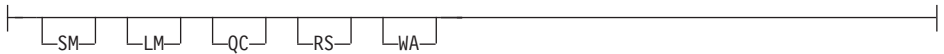
Notes:

- 1 The FORMAT keyword must be followed by at least one of the SM, LM, QC, RS, WA, or ALL parameters.

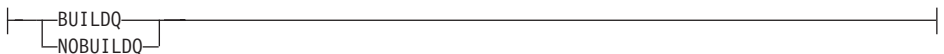
Warm Start After a /CHECKPOINT PURGE or /CHECKPOINT DUMPQ Command



A:



B:



Notes:

- 1 The FORMAT keyword must be followed by at least one of the SM, LM, QC, RS, WA, or ALL parameters.

Environments and Keywords

Table 38 lists the environments (DB/DC, DBCTL, and DCCTL) from which the command and keywords can be issued.

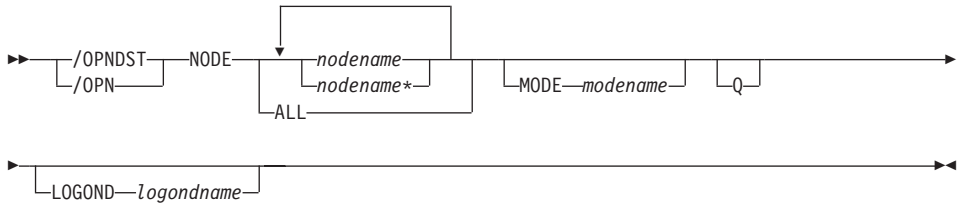
Table 38. Valid Environments for the /NRESTART Command and Keywords

Command / Keywords	DB/DC	DBCTL	DCCTL
/NRESTART	X	X	X
BUILDQ	X		X
CHKPT	X	X	X
CMDAUTH	X		X
CMDAUTHE	X		X
FORMAT	X	X	X
MSDBLOAD	X		
MULTSIGN	X		X
NOBUILDQ	X		X
NOCMDAUTH	X		X
NOCMDAUTHE	X		X
NOPASSWORD	X		X
NOTERMINAL	X		X
NOTRANAUTH	X		X
NOTRANCMDS	X		X
NOUSER	X		X
PASSWORD	X		X
SNGLSIGN	X		X
TERMINAL	X		X
TRANAUTH	X		X
TRANCMDS	X		X
USER	X		X

/OPNDST

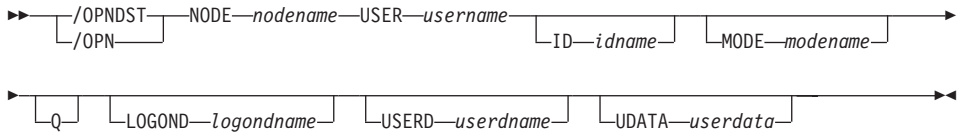
Format

The /OPNDST Command Without the USER Keyword. Use this form of the command for all static and ETO terminals except ETO SLU P and Finance terminals, ETO output-only devices, and all ISC parallel sessions.

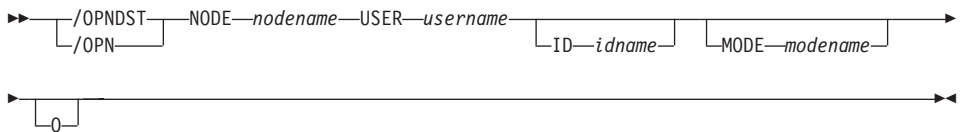


The /OPNDST Command With the USER Keyword for Non-ISC. Use this form of the command for:

- ETO SLU P and Finance terminals
- ETO output-only devices, for example, 3284, 3286, and SLU P1 with a single component of PRINTER1



The /OPNDST Command With the USER Keyword for ISC. Use this form of the command for all ISC parallel sessions, both static and ETO.



Environments and Keywords

Table 39 lists the environments (DB/DC, DBCTL, and DCCTL) from which the command and keywords can be issued.

Table 39. Valid Environments for the /OPNDST Command and Keywords

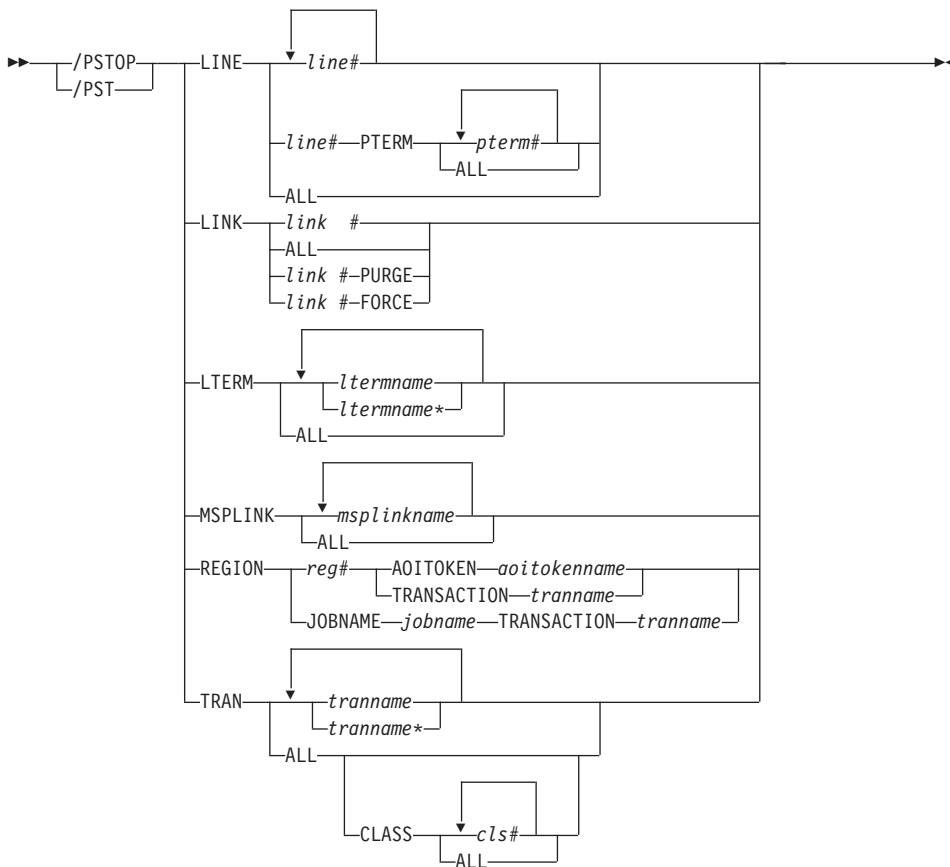
Command / Keywords	DB/DC	DBCTL	DCCTL
/OPNDST	X		X
ID	X		X
LOGOND	X		X

Table 39. Valid Environments for the /OPNDST Command and Keywords (continued)

Command / Keywords	DB/DC	DBCTL	DCCTL
MODE	X		X
NODE	X		X
Q	X		X
UDATA	X		X
USER	X		X
USERD	X		X

/PSTOP

Format



Environments and Keywords

Table 40 lists the environments (DB/DC, DBCTL, and DCCTL) from which the command and keywords can be issued.

Table 40. Valid Environments for the /PSTOP Command and Keywords

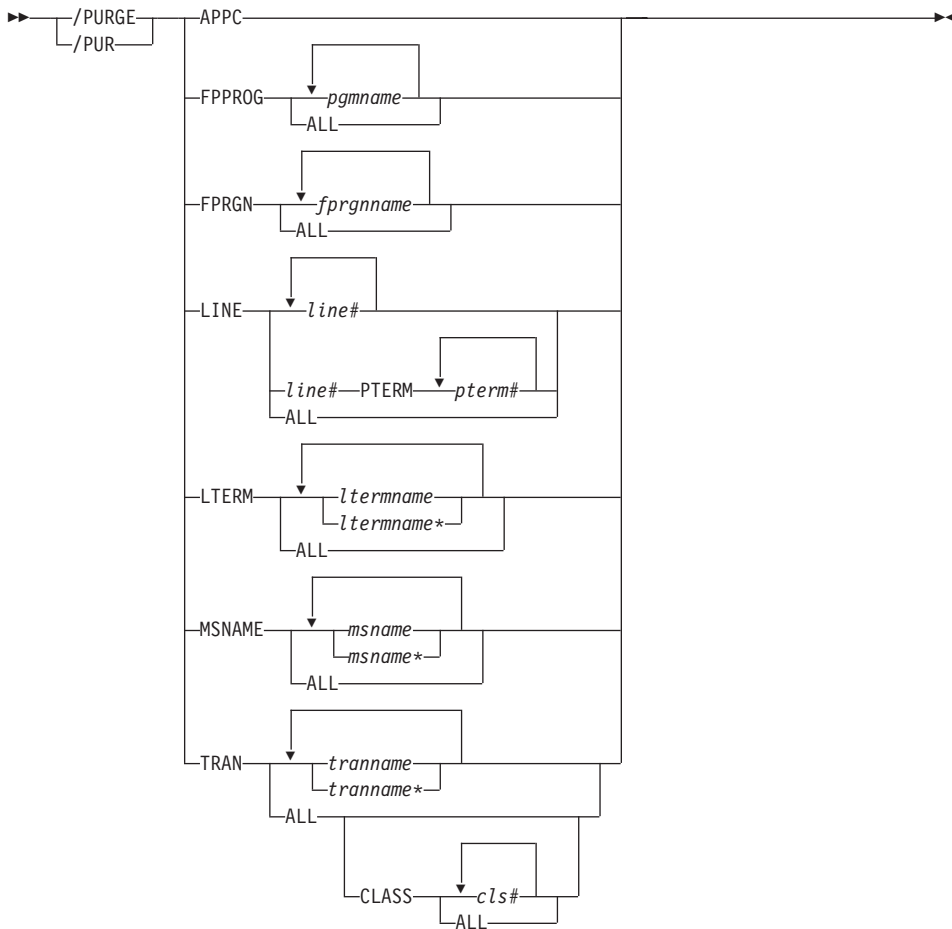
Command / Keywords	DB/DC	DBCTL	DCCTL
/PSTOP	X	X	X
AOITOKEN	X	X	X
CLASS	X		X
FORCE	X		X
JOBNAME	X	X	X

Table 40. Valid Environments for the /PSTOP Command and Keywords (continued)

Command / Keywords	DB/DC	DBCTL	DCCTL
LINE	X		X
LINK	X		X
LTERM	X		X
MSPLINK	X		X
PTERM	X		X
PURGE	X		X
REGION	X	X	X
TRAN	X		X

/PURGE

Format



Environments and Keywords

Table 41 lists the environments (DB/DC, DBCTL, and DCCTL) from which the command and keywords can be issued.

Table 41. Valid Environments for the /PURGE Command and Keywords

Command / Keywords	DB/DC	DBCTL	DCCTL
/PURGE	X		X
APPC	X		X
CLASS	X		X
FPPROG	X		X

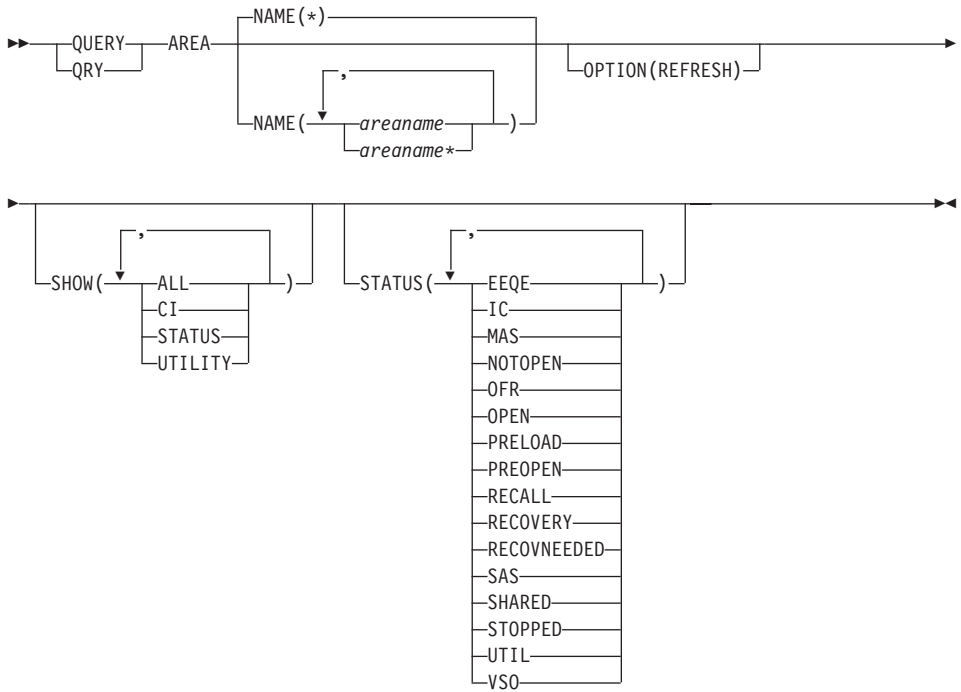
Table 41. Valid Environments for the /PURGE Command and Keywords (continued)

Command / Keywords	DB/DC	DBCTL	DCCTL
FPRGN	X		X
LINE	X		X
LTERM	X		X
MSNAME	X		X
PTERM	X		X
TRAN	X		X

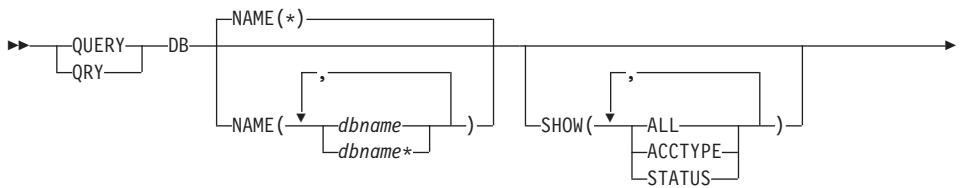
QUERY

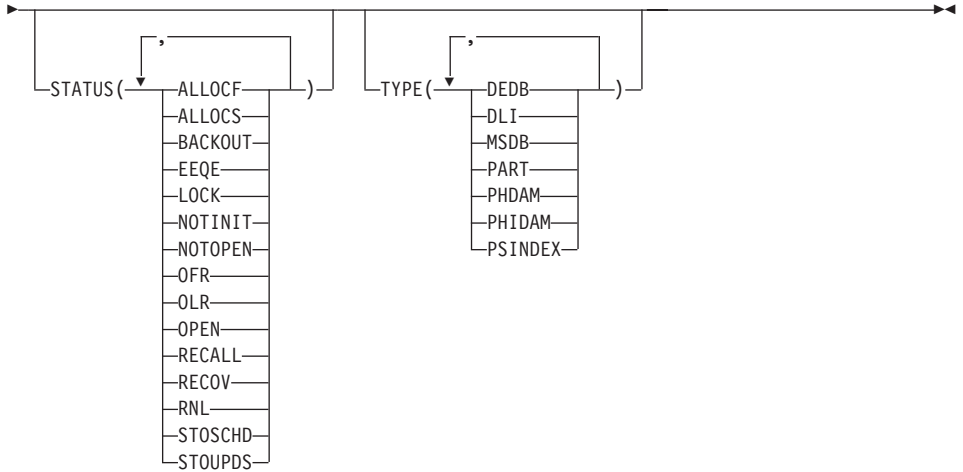
Format

QUERY AREA

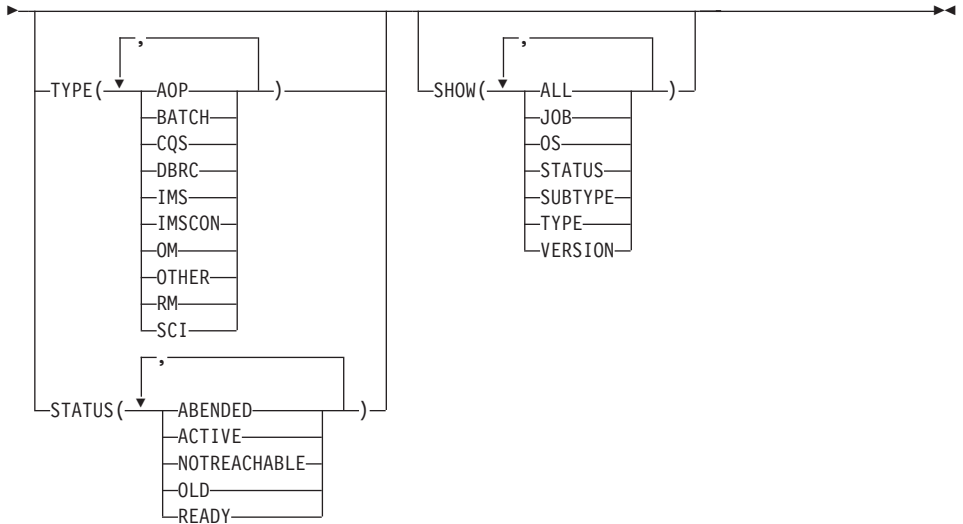
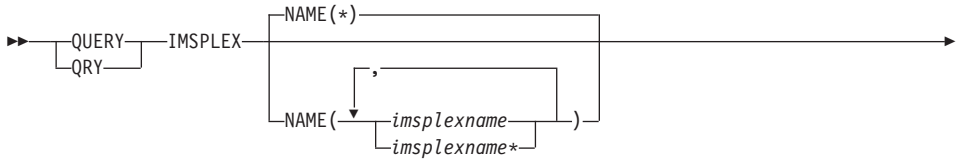


QUERY DB



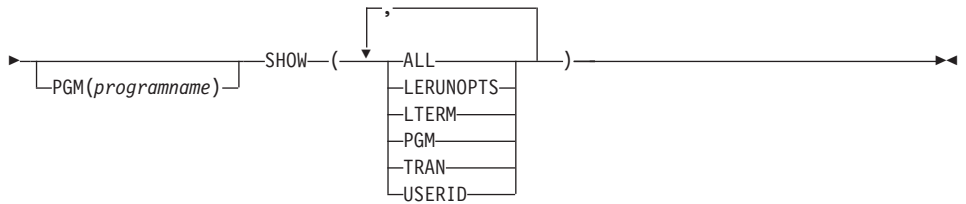


QUERY IMSPLEX

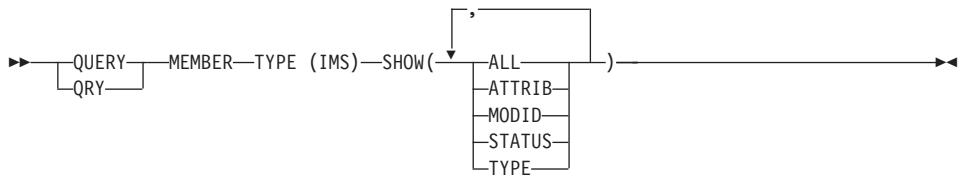


QUERY LE

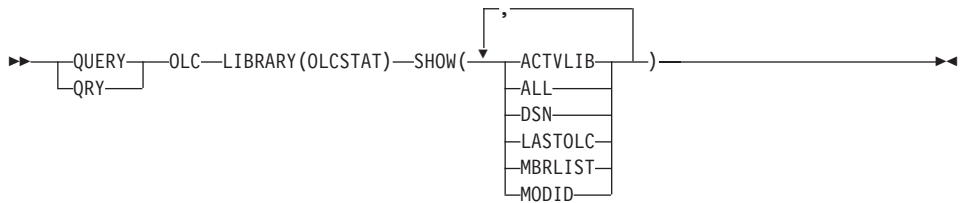
IMS Commands



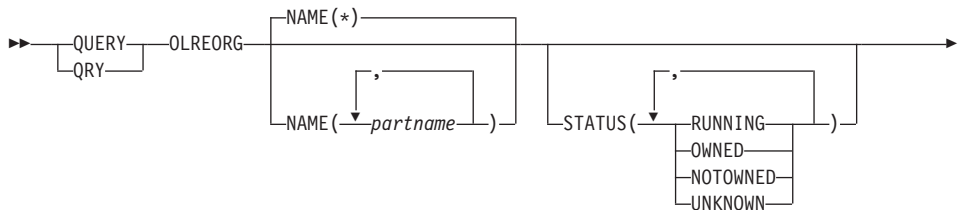
QUERY MEMBER



QUERY OLC

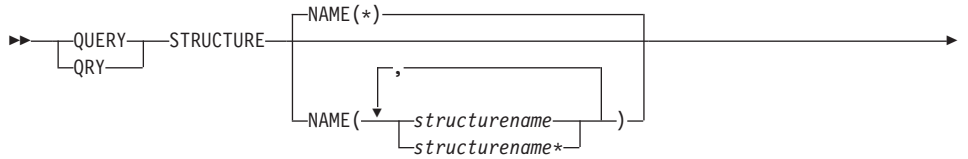


QUERY OLREORG



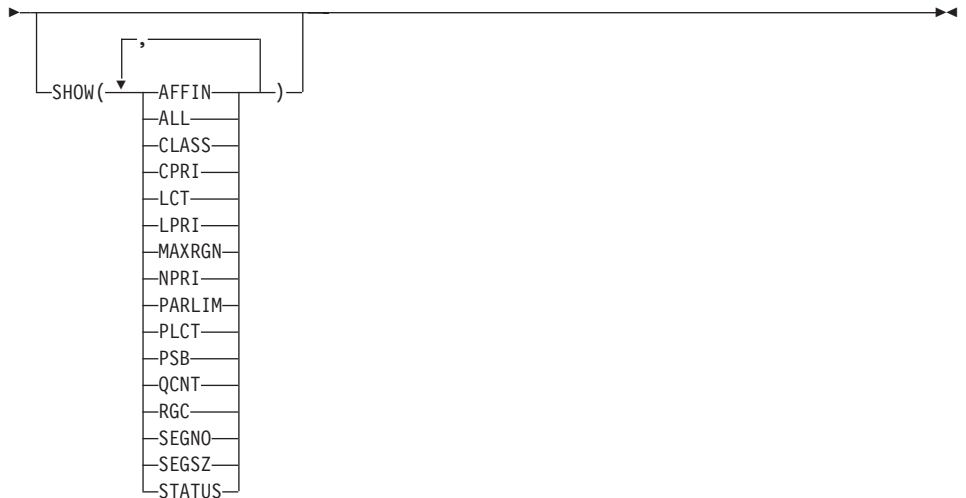
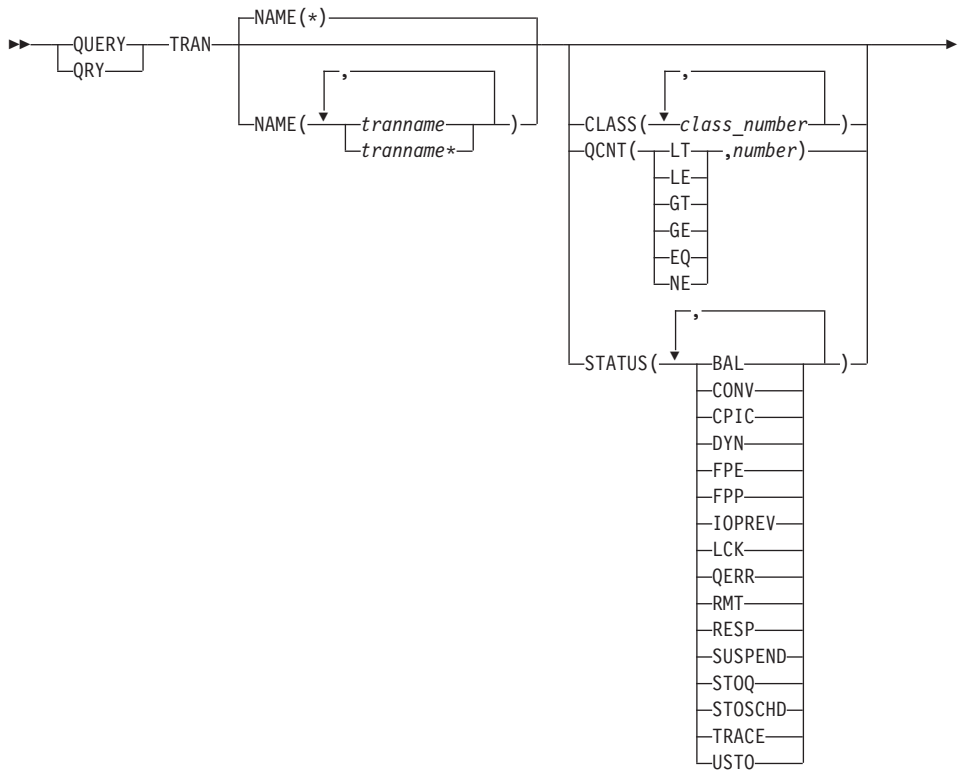


QUERY STRUCTURE



QUERY TRAN

IMS Commands



Environments and Keywords

Table 42 on page 81, Table 43 on page 81, Table 44 on page 81, Table 45 on page 81, Table 46 on page 82, Table 47 on page 82, Table 48 on page 82,

Table 49 on page 82, and Table 50 on page 83 list the environments (DB/DC, DBCTL, and DCCTL) from which the QUERY command and keywords can be issued.

Table 42. Valid Environments for QUERY AREA Command and Keywords

Command / Keyword	DB/DC	DBCTL	DCCTL
QUERY AREA	X	X	
NAME	X	X	
OPTION	X	X	
SHOW	X	X	
STATUS	X	X	

Table 43. Valid Environments for QUERY DB Command and Keywords

Command / Keyword	DB/DC	DBCTL	DCCTL
QUERY DB	X	X	
NAME	X	X	
SHOW	X	X	
STATUS	X	X	
TYPE	X	X	

Table 44. Valid Environments for QUERY IMSPLEX Command and Keywords

Command / Keywords	DB/DC	DBCTL	DCCTL
QUERY IMSPLEX ¹			
NAME			
SHOW			
STATUS			
TYPE			

Note:

1. There are no environment indicators for the QUERY IMSPLEX command itself because it does not run in any IMS control or dependent region's address space. QUERY IMSPLEX is processed in an OM command processing environment.

Table 45. Valid Environments for the QUERY LE Command and Keywords

Command / Keywords	DB/DC	DBCTL	DCCTL
QUERY LE	X	X	X
LTERM	X	X	X

IMS Commands

Table 45. Valid Environments for the QUERY LE Command and Keywords (continued)

Command / Keywords	DB/DC	DBCTL	DCCTL
PGM	X	X	X
SHOW	X	X	X
TRAN	X	X	X
USERID	X	X	X

Table 46. Valid Environments for the QUERY MEMBER Command and Keywords

Command / Keywords	DB/DC	DBCTL	DCCTL
QUERY MEMBER	X	X	X
ALL	X	X	X
ATTRIB	X	X	X
SHOW	X	X	X
STATUS	X	X	X
TYPE	X	X	X

Table 47. Valid Environments for the QUERY OLC Command and Keywords

Command / Keywords	DB/DC	DBCTL	DCCTL
QUERY OLC	X	X	X
LIBRARY	X	X	X
SHOW	X	X	X

Table 48. Valid Environments for the QUERY OLREORG Command and Keywords

Command / Keywords	DB/DC	DBCTL	DCCTL
QUERY OLREORG	X	X	
NAME	X	X	
STATUS	X	X	
SHOW	X	X	

Table 49. Valid Environments for the QUERY STRUCTURE Command and Keywords

Command / Keywords	DB/DC	DBCTL	DCCTL
QUERY STRUCTURE ¹			
ALL			
NAME			
SHOW			

Table 49. Valid Environments for the QUERY STRUCTURE Command and Keywords (continued)

Command / Keywords	DB/DC	DBCTL	DCCTL
STATISTICS			
TYPE			

Note:

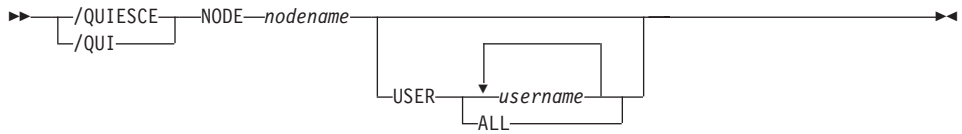
1. There are no environment indicators for the QUERY STRUCTURE command itself because it does not run in any IMS control or dependent region's address space. QUERY STRUCTURE is processed in an RM command processing environment.

Table 50. Valid Environments for the QUERY TRAN Command and Keywords

Command / Keywords	DB/DC	DBCTL	DCCTL
QUERY TRAN	X		X
CLASS	X		X
NAME	X		X
QCNT	X		X
SHOW	X		X
STATUS	X		X

/QUIESCE

Format



Environments and Keywords

Table 51 lists the environments (DB/DC, DBCTL, and DCCTL) from which the command and keywords can be issued.

Table 51. Valid Environments for the /QUIESCE Command and Keywords

Command / Keywords	DB/DC	DBCTL	DCCTL
/QUIESCE	X		X
NODE	X		X
USER	X		X

/RCLSDST**Format****Environments**

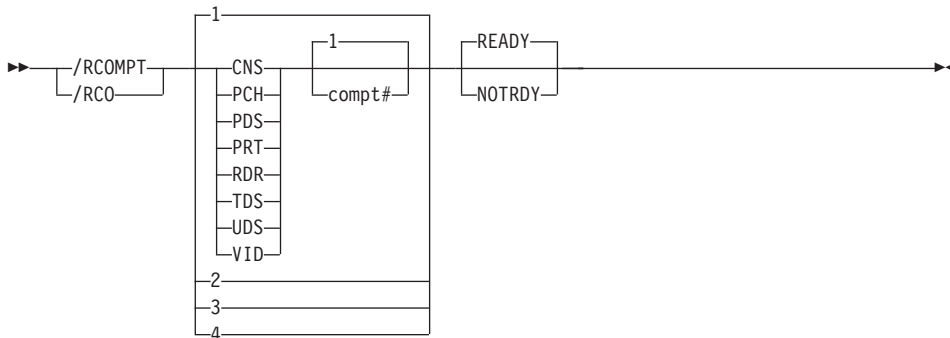
Table 52 lists the environments (DB/DC, DBCTL, and DCCTL) from which the command can be issued.

Table 52. Valid Environments for the /RCLSDST Command

Command	DB/DC	DBCTL	DCCTL
/RCLSDST	X		X

/RCOMPT

Format



Environments and Keywords

Table 53 lists the environments (DB/DC, DBCTL, and DCCTL) from which the command and keywords can be issued.

Table 53. Valid Environments for the /RCOMPT Command and Keywords

Command / Keywords	DB/DC	DBCTL	DCCTL
/RCOMPT	X		X
CNS	X		X
NOTRDY	X		X
PCH	X		X
PDS	X		X
PRT	X		X
RDR	X		X
READY	X		X
TDS	X		X
UDS	X		X
VID	X		X

/RDISPLAY**Format****Environments**

Table 54 lists the environments (DB/DC, DBCTL, and DCCTL) from which the command and keyword can be issued.

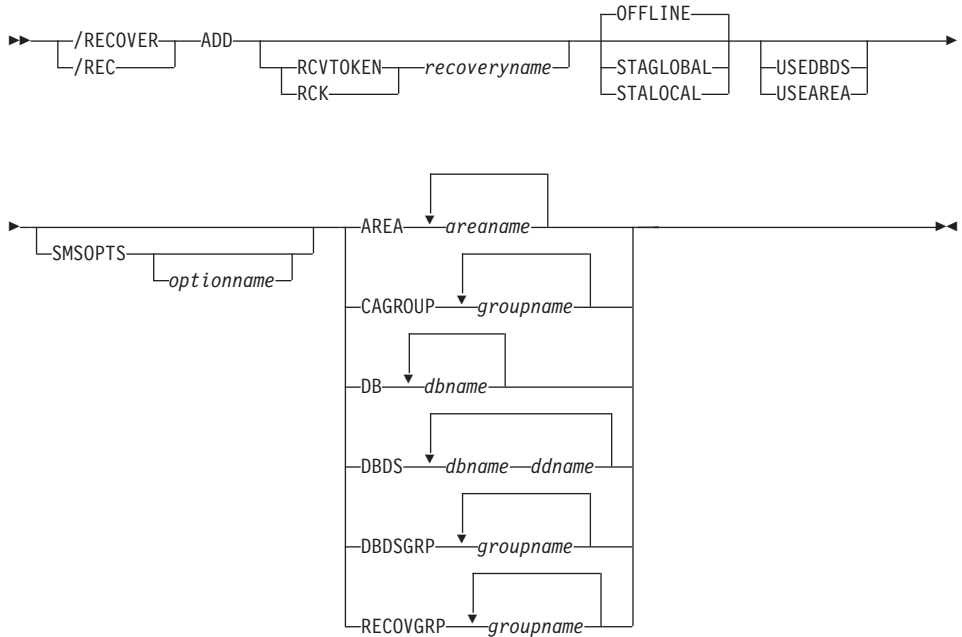
Table 54. Valid Environments for the /RDISPLAY Command and Keyword

Command/Keyword	DB/DC	DBCTL	DCCTL
/RDISPLAY	X		X
MASTER	X		X

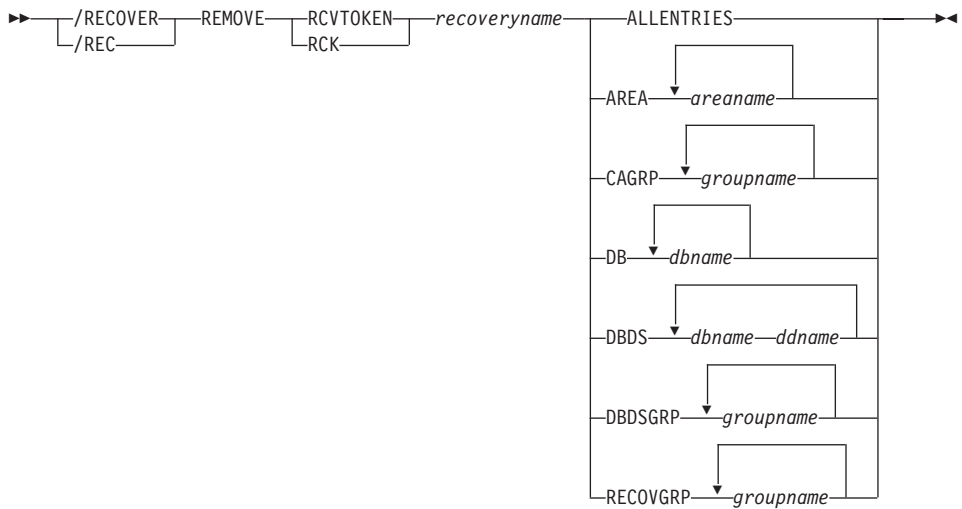
/RECOVER

Format

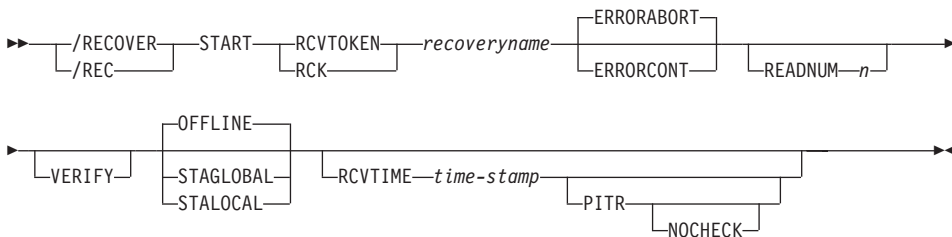
/RECOVER Command: ADD



/RECOVER Command: REMOVE



/RECOVER Command: START



/RECOVER Command: STOP through TERMINATE



Environments and Keywords

Table 55 lists the environments (DB/DC, DBCTL, and DCCTL) from which the command and keywords can be issued.

Table 55. Valid Environments for the /RECOVER Command and Keywords

Command / Keywords	DB/DC	DBCTL	DCCTL
/RECOVER	X	X	
ADD	X	X	
ALLENTRIES	X	X	
AREA	X	X	
CAGROUP	X	X	
DB	X	X	
DBDS	X	X	
DBDSGRP	X	X	
ERRORABORT	X	X	
ERRORCONT	X	X	
NOCHECK	X	X	
OFFLINE	X	X	
PITR	X	X	
RCVTIME	X	X	
RCVTOKEN	X	X	
READNUM	X	X	
RECOVGRP	X	X	

IMS Commands

Table 55. Valid Environments for the /RECOVER Command and Keywords (continued)

Command / Keywords	DB/DC	DBCTL	DCCTL
REMOVE	X	X	
SMSOPTS	X	X	
STAGLOBAL	X	X	
STALOCAL	X	X	
START	X	X	
STOP	X	X	
USEAREA	X	X	
USEDDBDS	X	X	
VERIFY	X	X	

/RELEASE**Format**

►► `/RELEASE` `CONVERSATION` `conv#` ►►
 └─┬─┘
`/REL`

Environments and Keywords

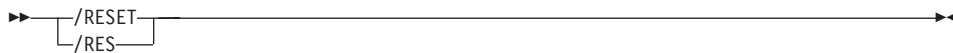
Table 56 lists the environments (DB/DC, DBCTL, and DCCTL) from which the command and keyword can be issued.

Table 56. Valid Environments for the /RELEASE Command and Keyword

Command / Keyword	DB/DC	DBCTL	DCCTL
/RELEASE	X		X
CONVERSATION	X		X

/RESET

Format



Environments

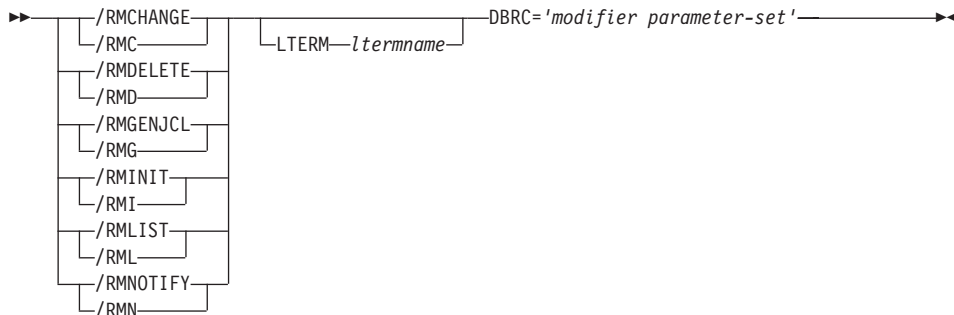
Table 57 lists the environments (DB/DC, DBCTL, and DCCTL) from which the command can be issued.

Table 57. Valid Environments for the /RESET Command

Command	DB/DC	DBCTL	DCCTL
/RESET	X		X

/RMxxxxxx

Format



Environments and Keywords

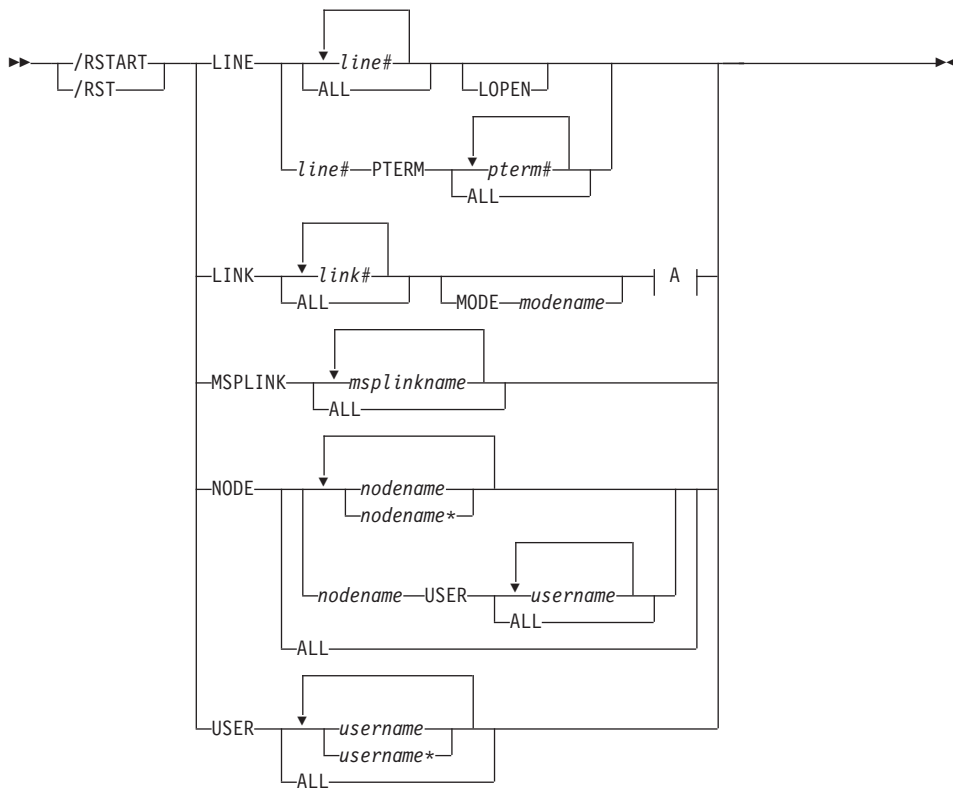
Table 58 lists the environments (DB/DC, DBCTL, and DCCTL) from which the command and keyword can be issued.

Table 58. Valid Environments for the /RMxxxxxx Command and Keyword

Command / Keyword	DB/DC	DBCTL	DCCTL
/RMxxxxxx	X	X	X
LTERM	X		X

/RSTART

Format



A:



Environments and Keywords

Table 59 lists the environments (DB/DC, DBCTL, and DCCTL) from which the command and keywords can be issued.

Table 59. Valid Environments for the /RSTART Command and Keywords

Command / Keywords	DB/DC	DBCTL	DCCTL
/RSTART	X		X
CONTINUOUS	X		X

Table 59. Valid Environments for the /RSTART Command and Keywords (continued)

Command / Keywords	DB/DC	DBCTL	DCCTL
LINE	X		X
LINK	X		X
LOPEN	X		X
MODE	X		X
MSPLINK	X		X
NODE	X		X
PTERM	X		X
USER	X		X

/RTAKEOVER

Format

/RTAKEOVER for an Active Subsystem



/RTAKEOVER for a Tracking Subsystem



Environments and Keywords

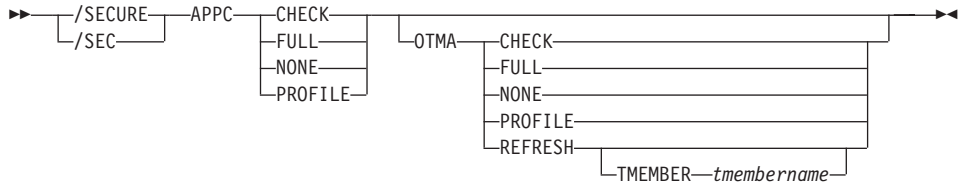
Table 60 lists the environments (DB/DC, DBCTL, and DCCTL) from which the command and keywords can be issued.

Table 60. Valid Environments for the /RTAKEOVER Command and Keywords

Command / Keywords	DB/DC	DBCTL	DCCTL
/RTAKEOVER	X	X	X
DUMPQ	X	X	X
FREEZE	X	X	X
NOREVERSE	X	X	X
UNPLAN	X	X	X

/SECURE

Format



Environments and Keywords

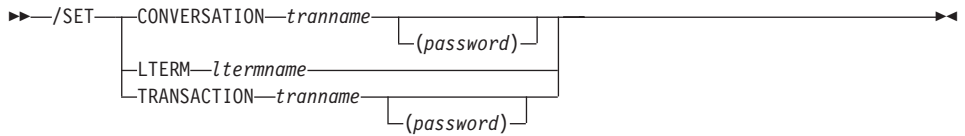
Table 61 lists the environments (DB/DC, DBCTL, and DCCTL) from which the command and keywords can be issued.

Table 61. Valid Environments for the /SECURE Command and Keywords

Command / Keywords	DB/DC	DBCTL	DCCTL
/SECURE	X		X
APPC	X		X
OTMA	X		X

/SET

Format



Environments and Keywords

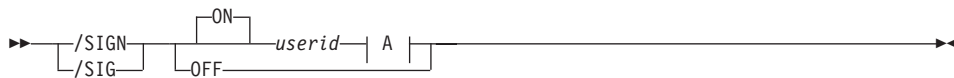
Table 62 lists the environments (DB/DC, DBCTL, and DCCTL) from which the command and keywords can be issued.

Table 62. Valid Environments for the /SET Command and Keywords

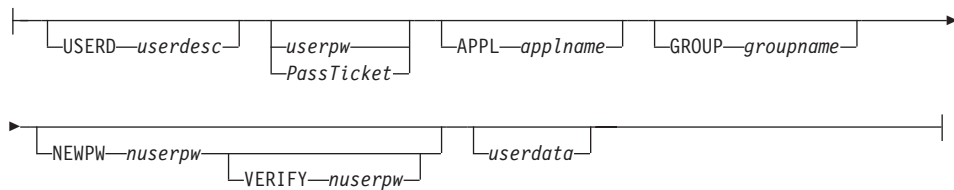
Command / Keywords	DB/DC	DBCTL	DCCTL
/SET	X		X
CONVERSATION	X		X
LTERM	X		X
TRANSACTION	X		X

/SIGN

Format



A:



Environments

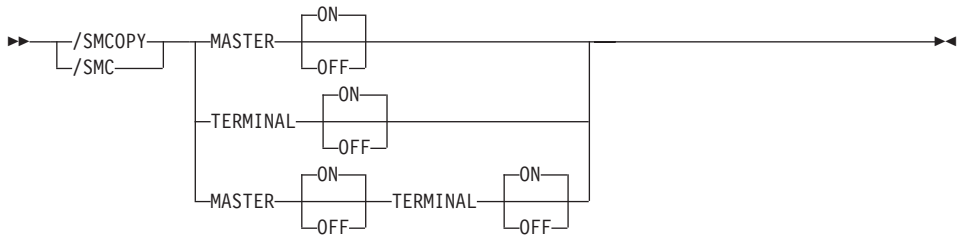
Table 63 lists the environments (DB/DC, DBCTL, and DCCTL) from which the command can be issued.

Table 63. Valid Environments for the /SIGN Command

Command	DB/DC	DBCTL	DCCTL
/SIGN	X		X

/SMCOPY

Format



Environments and Keywords

Table 64 lists the environments (DB/DC, DBCTL, and DCCTL) from which the command and keywords can be issued.

Table 64. Valid Environments for the /SMCOPY Command and Keywords

Command / Keywords	DB/DC	DBCTL	DCCTL
/SMCOPY	X		X
MASTER	X		X
TERMINAL	X		X

/SSR**Format**

▶▶—/SSR—text—▶▶

Environments

Table 65 lists the environments (DB/DC, DBCTL, and DCCTL) from which the command can be issued.

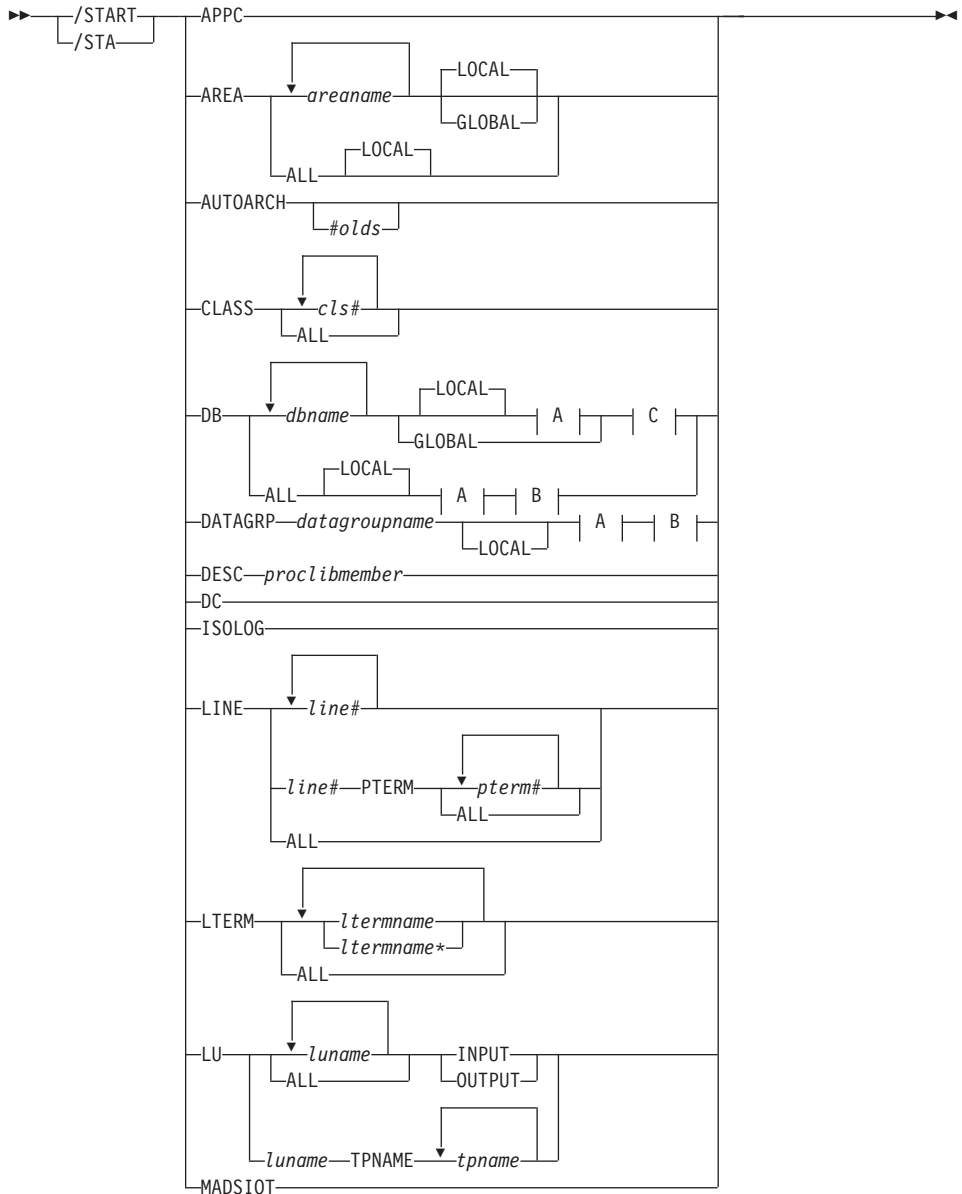
Table 65. Valid Environments for the /SSR Command

Command	DB/DC	DBCTL	DCCTL
/SSR	X	X	X

/START

Format

/START Command: APPC through MADSIOT



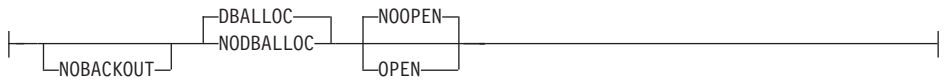
A:



B:

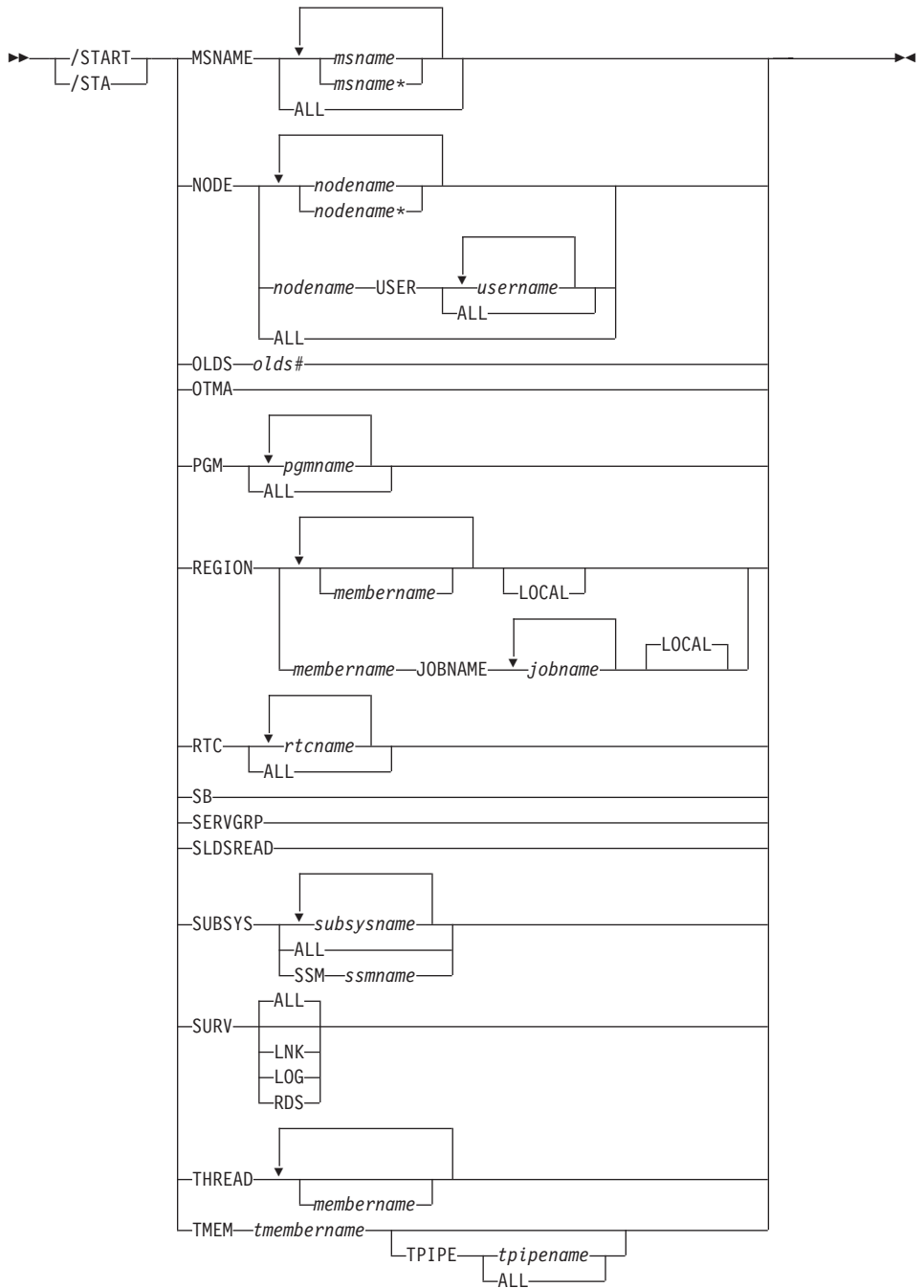


C:

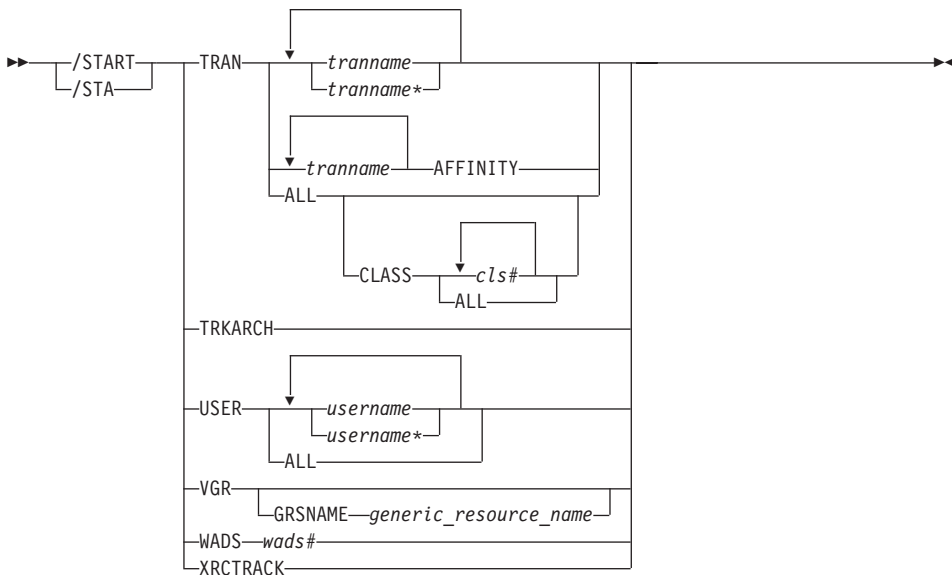


/START Command: MSNAME through TMM

IMS Commands



/START Command: TRAN through XRCTRACK



Environments and Keywords

Table 66 lists the environments (DB/DC, DBCTL, and DCCTL) from which the command and keywords can be issued.

Table 66. Valid Environments for the /START Command and Keywords

Command / Keywords	DB/DC	DBCTL	DCCTL
/START	X	X	X
ACCESS	X	X	
AFFINITY	X		X
APPC	X		X
AREA	X	X	
AUTOARCH	X	X	X
CLASS	X		X
DB	X	X	
DATAGRP	X	X	
DBALLOC	X	X	
DC	X		X
DESC	X		X
GLOBAL	X	X	

Table 66. Valid Environments for the /START Command and Keywords (continued)

Command / Keywords	DB/DC	DBCTL	DCCTL
GRSNAME	X		X
INPUT	X		X
ISOLOG	X	X	X
JOBNAME	X	X	X
LINE	X		X
LOCAL	X	X	
LTERM	X		X
LU	X		X
MADSIOT	X	X	
MSNAME	X		X
NOBACKOUT	X	X	
NODBALLOC	X	X	
NODE	X		X
NOOPEN	X	X	
OLDS	X	X	X
OPEN	X	X	
OTMA	X		X
OUTPUT	X		X
PGM	X	X	X
PTERM	X		X
REGION	X	X	X
RTC	X		X
SB	X	X	
SERVGRP	X	X	X
SLDSREAD	X	X	X
SSM	X	X	X
SUBSYS	X	X	X
SURV	X		X
THREAD	X	X	
TMEM	X		X
TPIPE	X		X
TPNAME	X		X

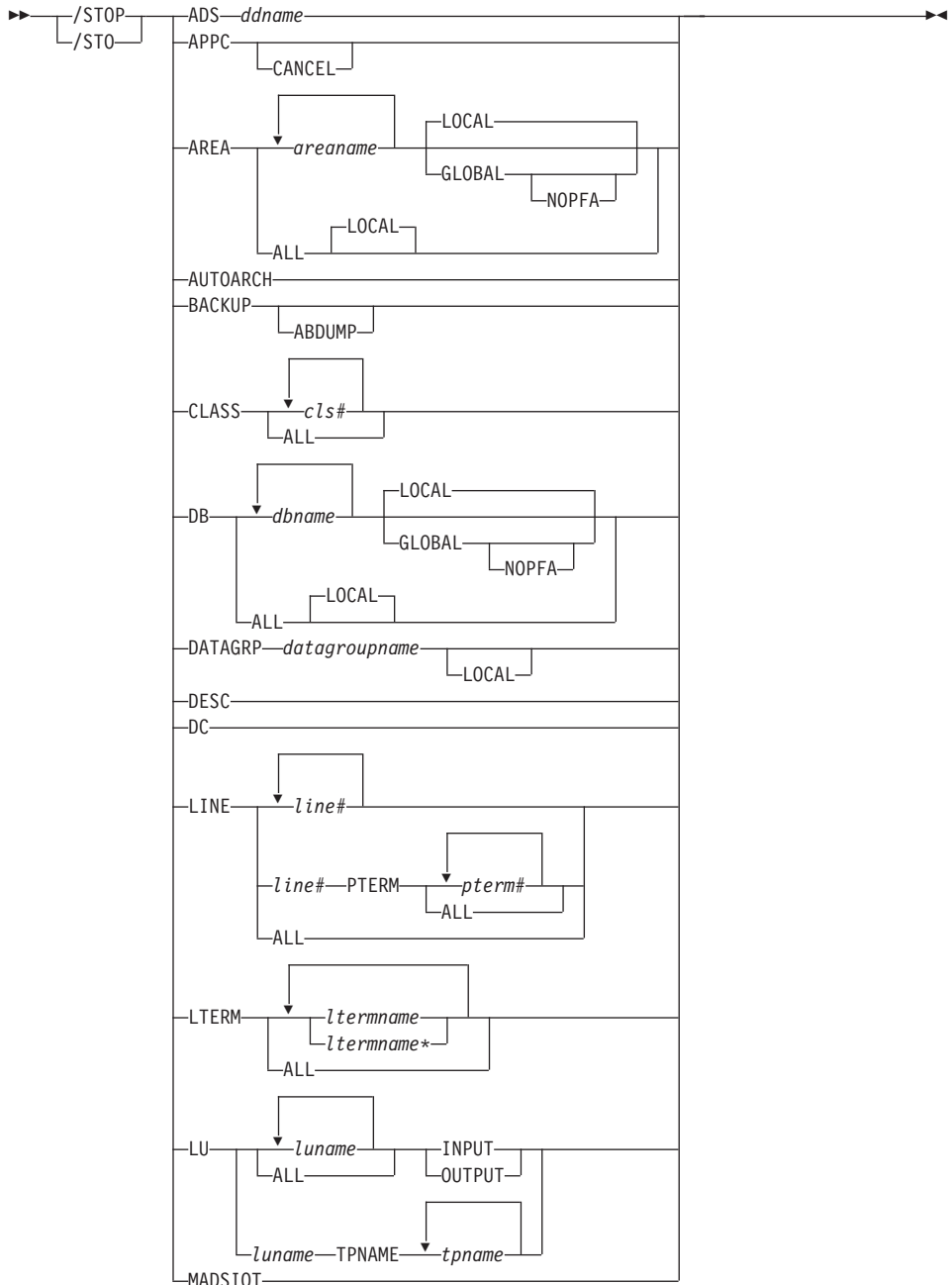
Table 66. Valid Environments for the /START Command and Keywords (continued)

Command / Keywords	DB/DC	DBCTL	DCCTL
TRAN	X		X
TRKARCH	X	X	X
USER	X		X
VGR	X		X
WADS	X	X	X
XRCTRACK	X	X	X

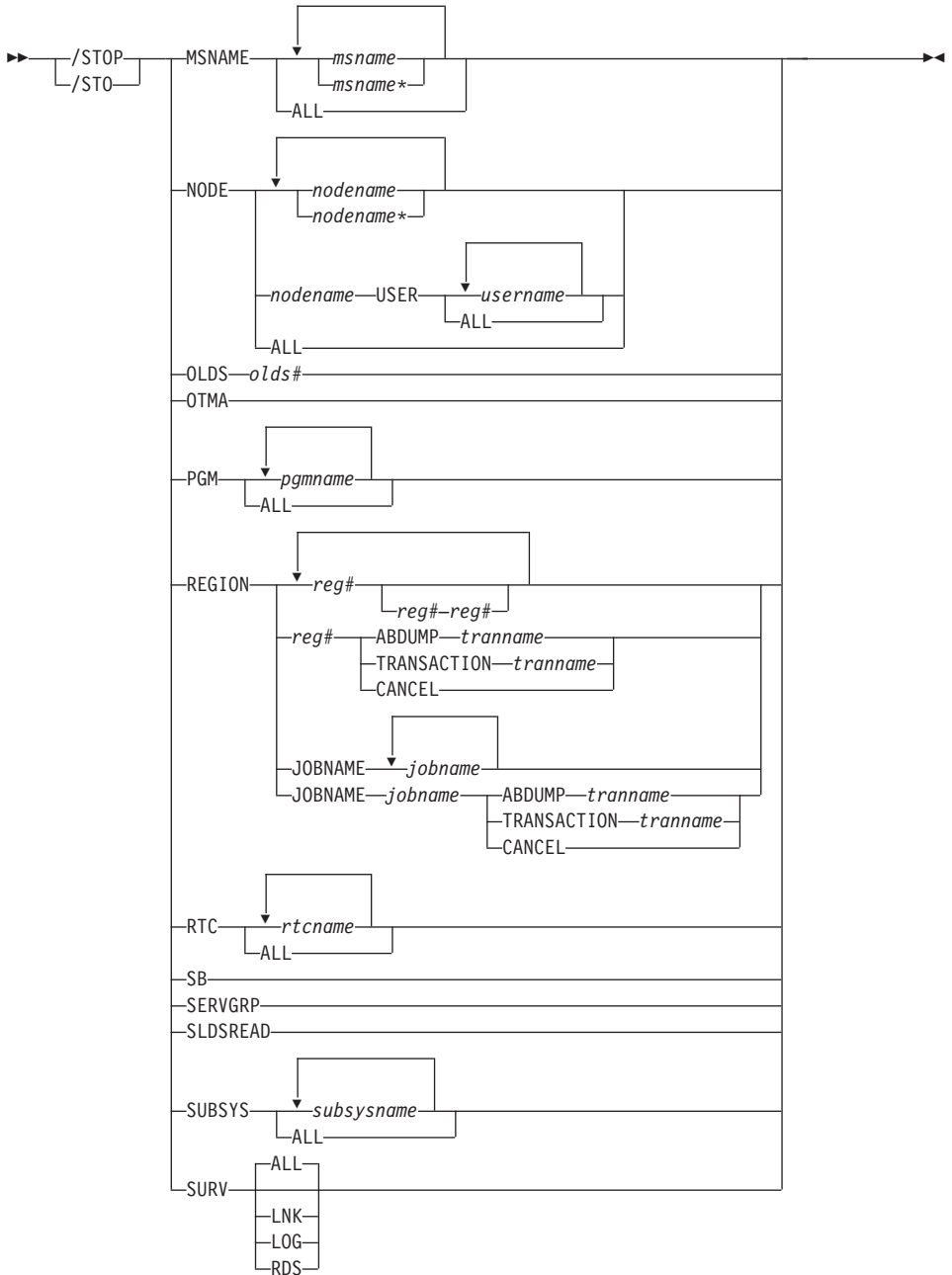
/STOP

Format

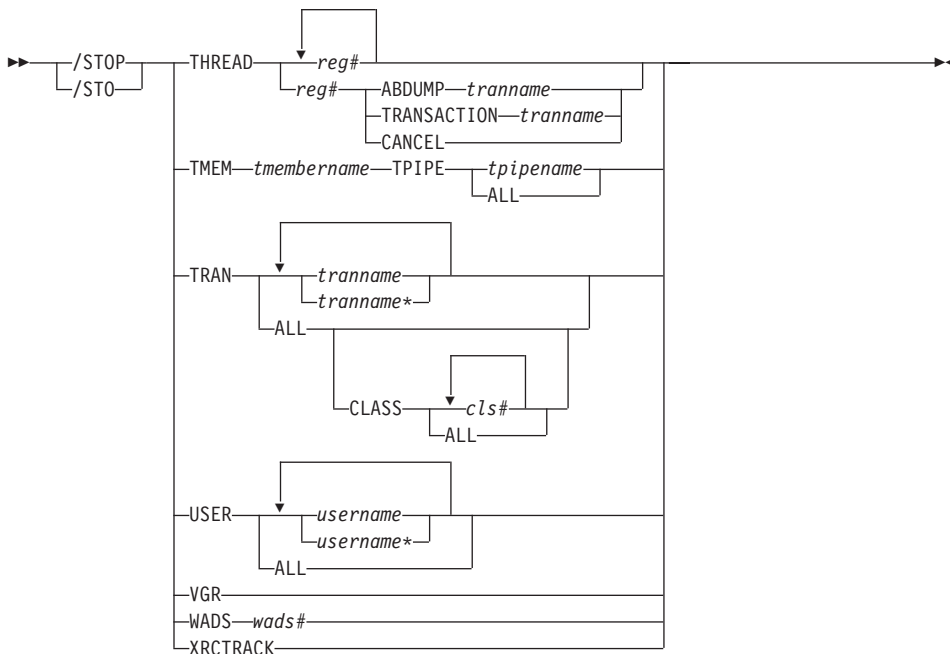
/STOP Command: ADS through MADSIOT



STOP Command: MSNAME through SURV



STOP Command: THREAD through XRCTRAK



Environments and Keywords

Table 67 lists the environments (DB/DC, DBCTL, and DCCTL) from which the command and keywords can be issued.

Table 67. Valid Environments for the /STOP Command and Keywords

Command / Keywords	DB/DC	DBCTL	DCCTL
/STOP	X	X	X
ABNDUMP	X	X	X
ADS	X	X	
APPC	X		X
AREA	X	X	
AUTOARCH	X	X	X
BACKUP	X		X
CANCEL	X	X	X
CLASS	X		X
DB	X	X	
DATAGRP	X	X	

Table 67. Valid Environments for the /STOP Command and Keywords (continued)

Command / Keywords	DB/DC	DBCTL	DCCTL
DESC	X		X
DC	X		X
GLOBAL	X	X	
INPUT	X		X
JOBNAME	X	X	X
LINE	X		X
LOCAL	X	X	
LTERM	X		X
LU	X		X
MADSIOT	X	X	
MSNAME	X		X
NOPEA	X	X	
NODE	X		X
OLDS	X	X	X
OTMA	X		X
OUTPUT	X		X
PGM	X	X	X
PTERM	X		X
REGION	X	X	X
RTC	X		X
SB	X	X	
SERVGRP	X	X	X
SLDSREAD	X	X	X
SUBSYS	X	X	X
SURV	X		X
THREAD	X		X
TMEM	X		X
TPIPE	X		X
TPNAME	X		X
TRAN	X		X
USER	X		X
VGR	X		X

IMS Commands

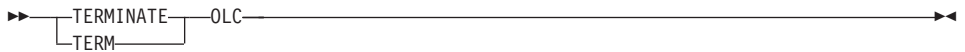
Table 67. Valid Environments for the /STOP Command and Keywords (continued)

Command / Keywords	DB/DC	DBCTL	DCCTL
WADS	X	X	X
XRCTrack	X	X	X

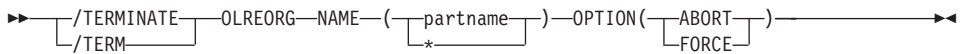
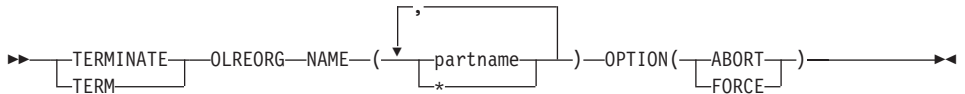
TERMINATE

Format

TERMINATE OLC



TERMINATE OLREORG



Environments and Keywords

Table 69 and Table 70 list the environments (DB/DC, DBCTL, and DCCTL) from which the TERMINATE command can be issued.

Table 69. Valid Environments for the TERMINATE OLC Command

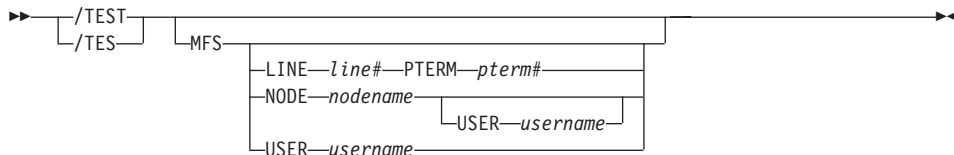
Command / Keyword	DB/DC	DBCTL	DCCTL
TERMINATE OLC	x	x	x

Table 70. Valid Environments for the TERMINATE OLREORG Command, Keywords, and Parameters

Command / Keywords	DB/DC	DBCTL	DCCTL
TERMINATE OLREORG	X	X	
NAME	X	X	
OPTION	X	X	

/TEST

Format



Environments and Keywords

Table 71 lists the environments (DB/DC, DBCTL, and DCCTL) from which the command and keywords can be issued.

Table 71. Valid Environments for the /TEST Command and Keywords

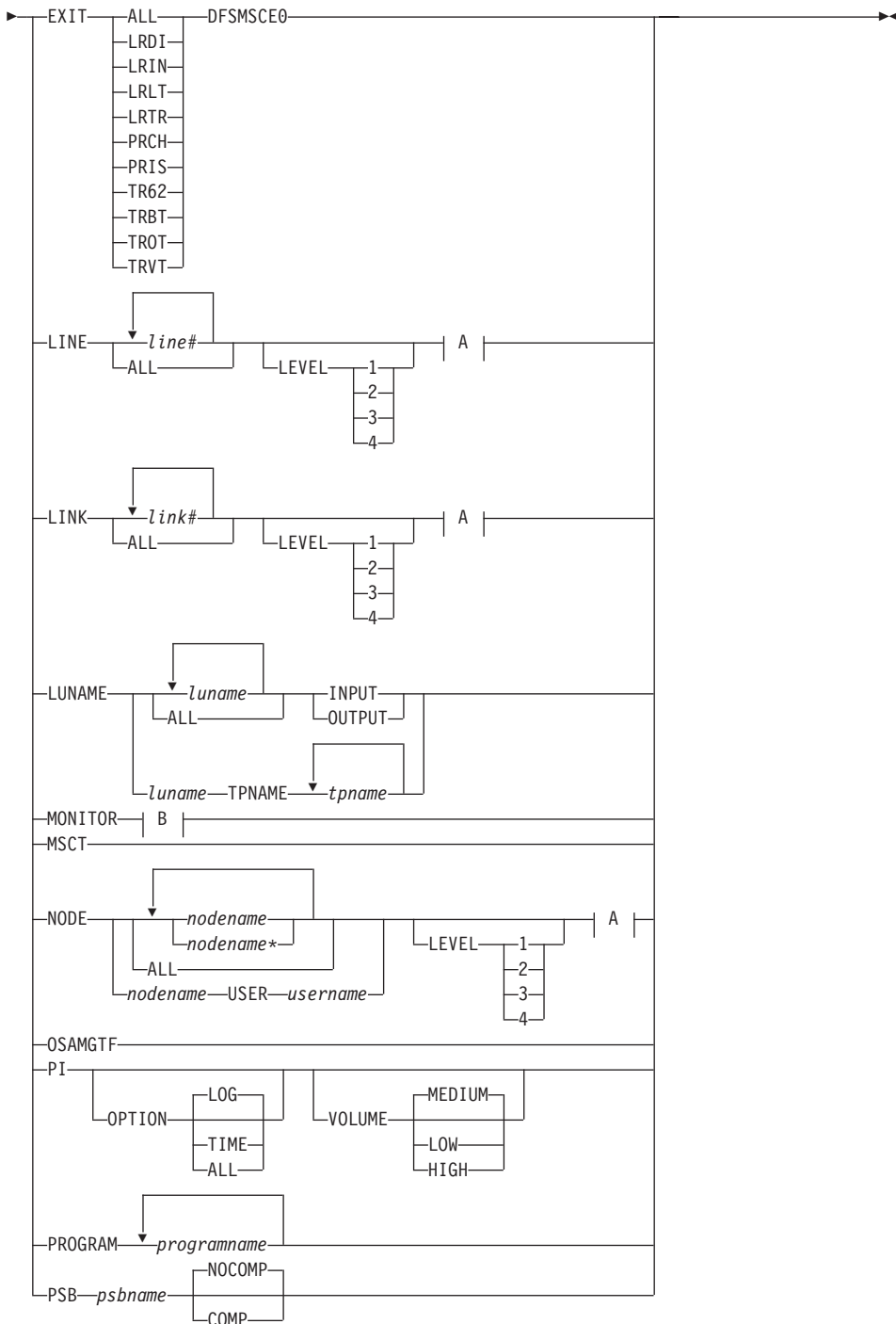
Command / Keywords	DB/DC	DBCTL	DCCTL
/TEST	X		X
LINE	X		X
NODE	X		X
PTERM	X		X
USER	X		X

/TRACE

Format

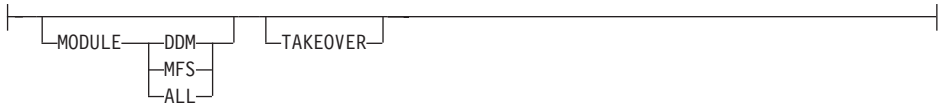
/TRACE Command: EXIT through PSB



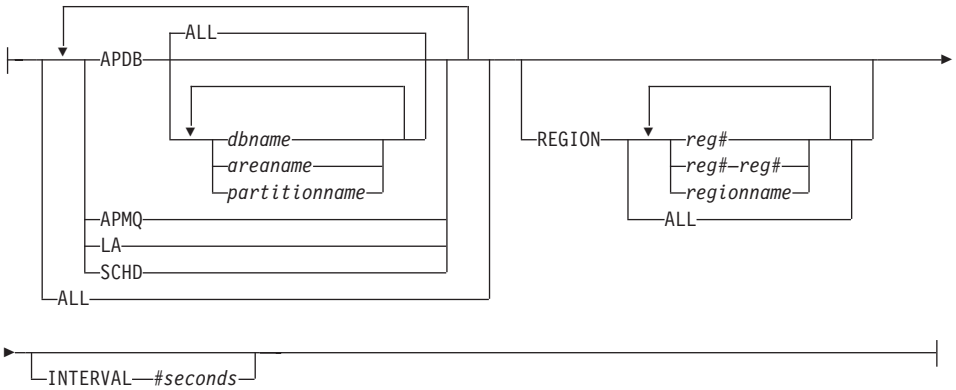


IMS Commands

A:

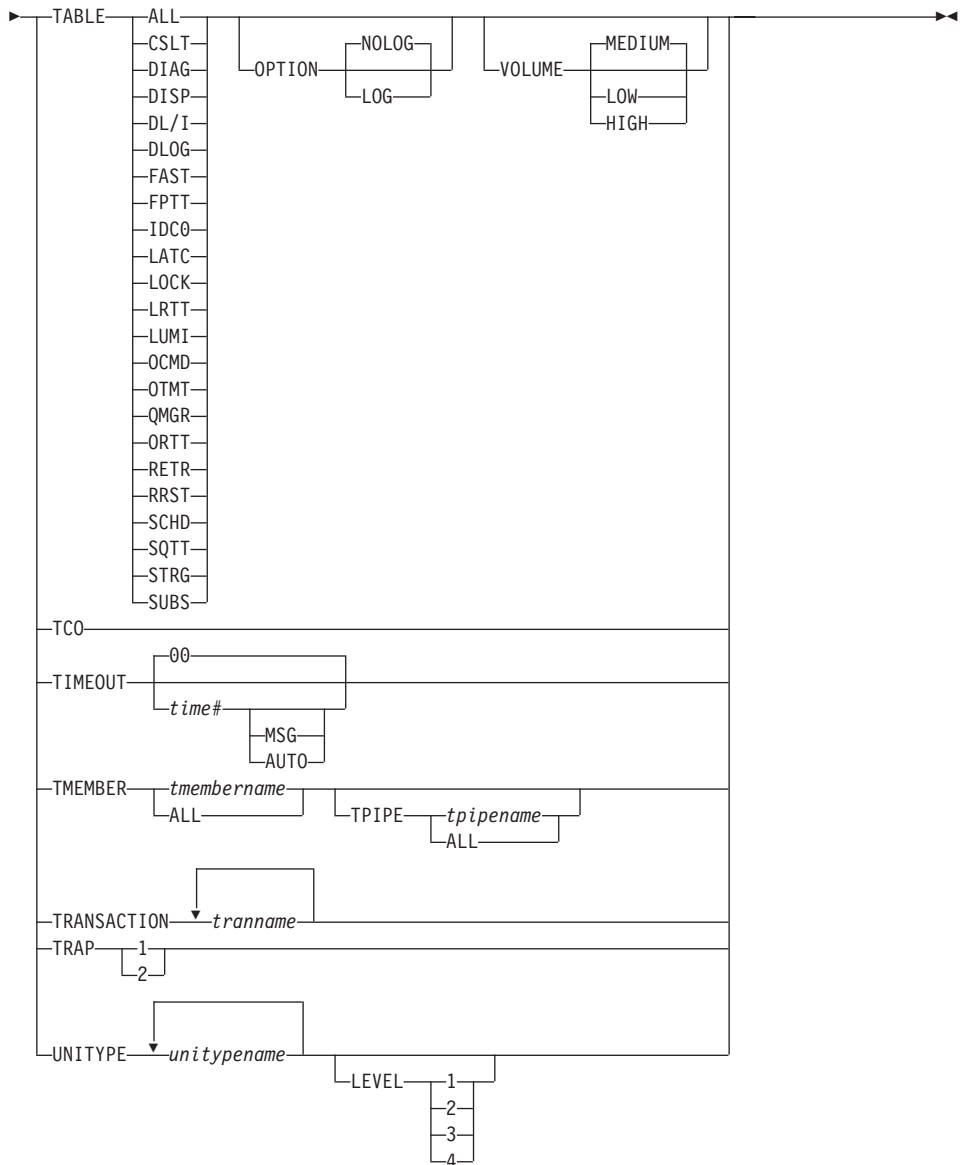


B:



/TRACE Command: TABLE through UNITYPE





Environments and Keywords

Table 72 on page 120 lists the environments (DB/DC, DBCTL, and DCCTL) from which the command and keywords can be issued.

IMS Commands

Table 72. Valid Environments for the /TRACE Command and Keywords

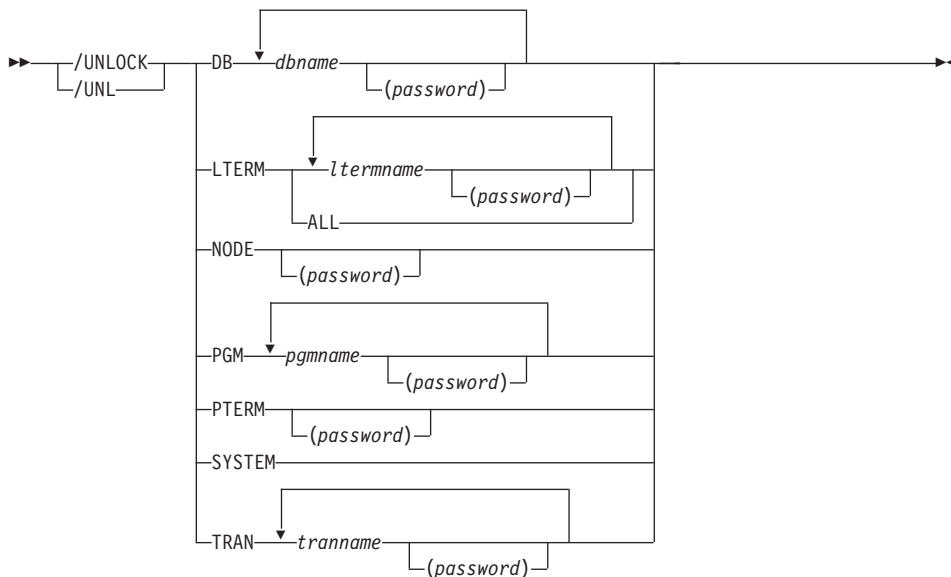
Command / Keywords	DB/DC	DBCTL	DCCTL
/TRACE	X	X	X
AUTO	X		X
COMP	X	X	
EXIT	X		X
INPUT	X		X
LEVEL	X		X
LINE	X		X
LINK	X		X
LUNAME	X		X
MODULE	X		X
MONITOR	X	X	X
MSG	X		X
NOCOMP	X	X	
NODE	X		X
OPTION	X	X	X
OSAMGTF	X	X	
OUTPUT	X		X
PI	X	X	
PROGRAM	X	X	X
PSB	X	X	
SET	X	X	X
TABLE	X	X	X
TAKEOVER	X		X
TCO	X	X	X
TIMEOUT	X		X
TMEMBER	X		X
TPIPE	X		X
TPNAME	X		X
TRANSACTION	X		X
TRAP	X		X
UNITYPE	X		X
USER	X		X

Table 72. Valid Environments for the /TRACE Command and Keywords (continued)

Command / Keywords	DB/DC	DBCTL	DCCTL
VOLUME	X	X	X

/UNLOCK

Format



Environments and Keywords

Table 73 lists the environments (DB/DC, DBCTL, and DCCTL) from which the command and keywords can be issued.

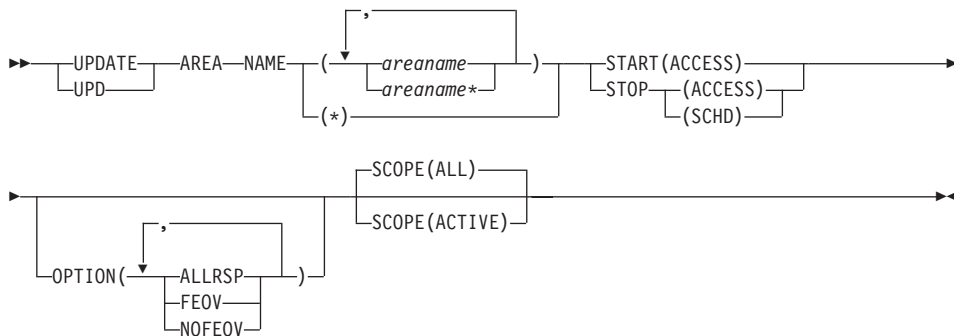
Table 73. Valid Environments for the /UNLOCK Command and Keywords

Command / Keywords	DB/DC	DBCTL	DCCTL
/UNLOCK	X	X	X
DB	X	X	
LTERM	X		X
NODE	X		X
PGM	X	X	X
PTERM	X		X
SYSTEM	X		X
TRAN	X		X

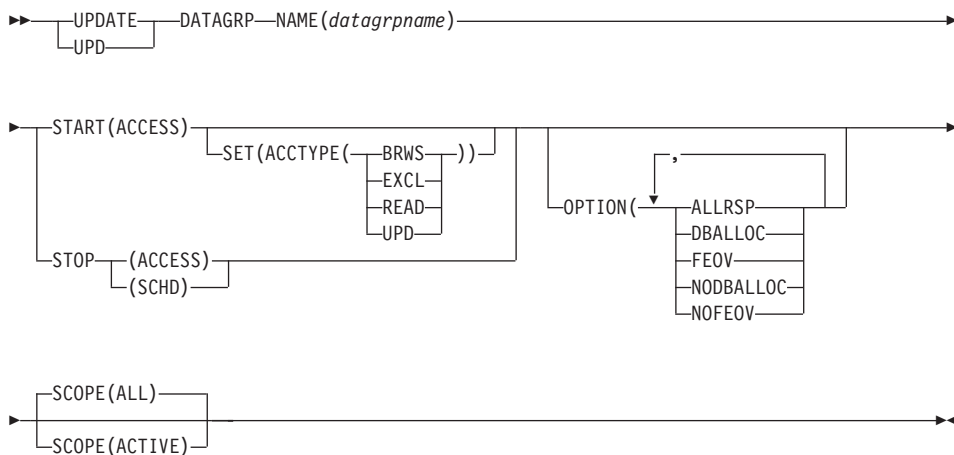
UPDATE

Format

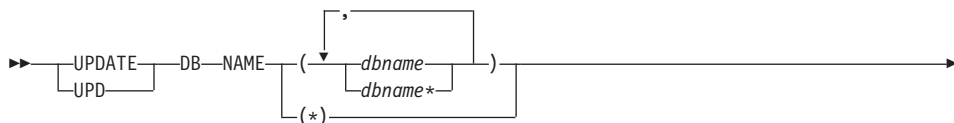
UPDATE AREA :



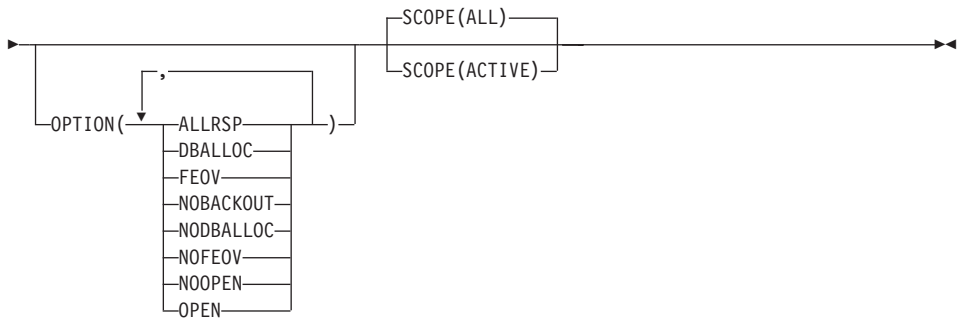
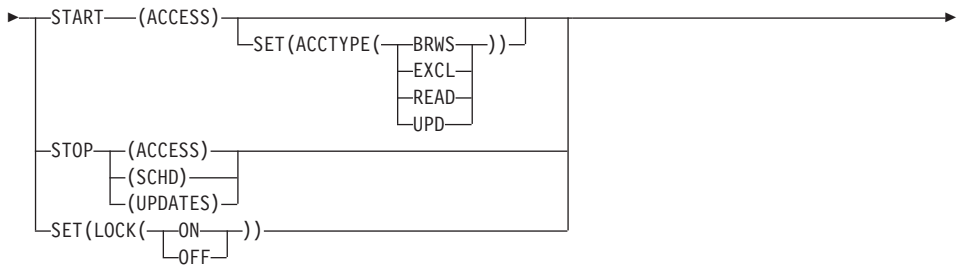
UPDATE DATAGRP:



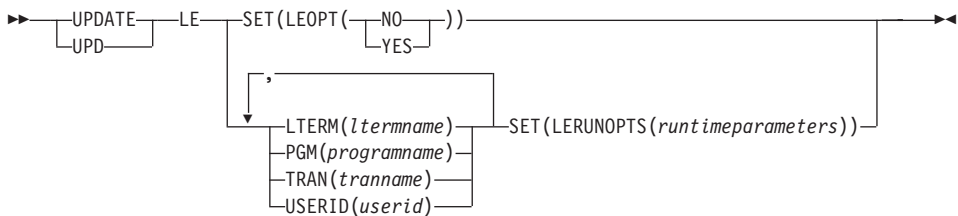
UPDATE DB:



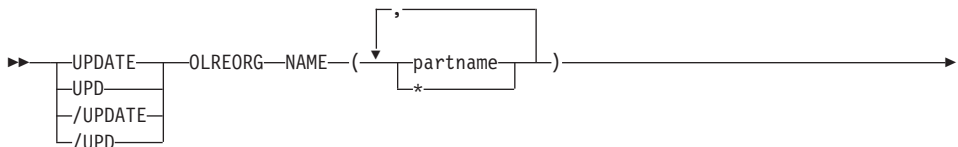
IMS Commands



UPDATE LE:

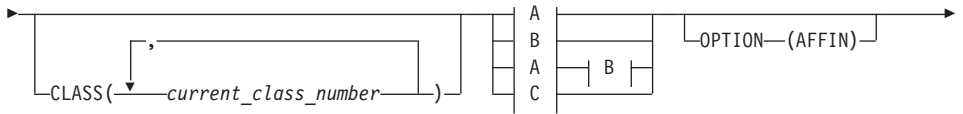
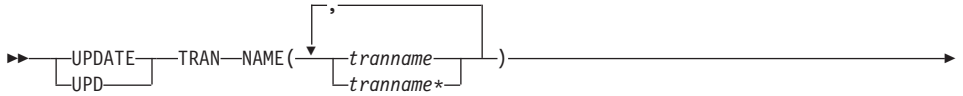


UPDATE OLREORG:





UPDATE TRAN:



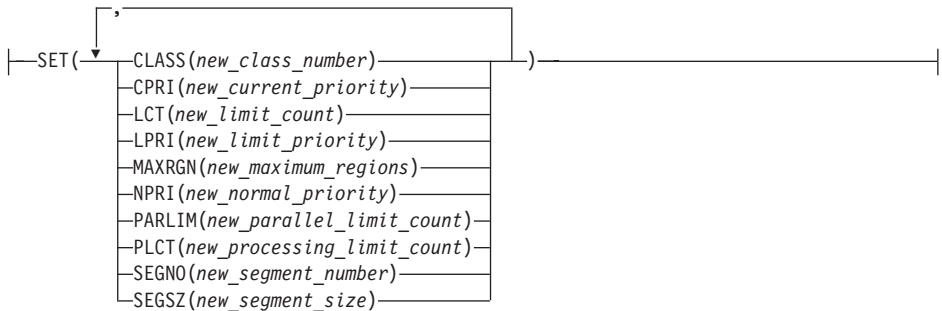
A:



B:



C:



Environments and Keywords

Table 74, Table 75, Table 76, Table 77 on page 127, Table 78 on page 127, and Table 79 on page 127 list the environments (DB/DC, DBCTL, and DCCTL) from which the UPDATE command and keywords can be issued.

Table 74. Valid Environments for the UPDATE AREA Command and Keywords

Command / Keywords	DB/DC	DBCTL	DCCTL
UPDATE AREA	X	X	
NAME	X	X	
OPTION	X	X	
SCOPE	X	X	
START	X	X	
STOP	X	X	

Table 75. Valid Environments for the UPDATE DATAGRP Command and Keywords

Command / Keywords	DB/DC	DBCTL	DCCTL
UPDATE DATAGRP	X	X	
NAME	X	X	
OPTION	X	X	
SCOPE	X	X	
START	X	X	
STOP	X	X	

Table 76. Valid Environments for the UPDATE DB Command and Keywords

Command / Keywords	DB/DC	DBCTL	DCCTL
UPDATE DB	X	X	
NAME	X	X	

Table 76. Valid Environments for the UPDATE DB Command and Keywords (continued)

Command / Keywords	DB/DC	DBCTL	DCCTL
OPTION	X	X	
SCOPE	X	X	
SET	X	X	
START	X	X	
STOP	X	X	

Table 77. Valid Environments for the UPDATE LE Command and Keywords

Command / Keywords	DB/DC	DBCTL	DCCTL
UPDATE LE	X	X	X
LTERM	X	X	X
PGM	X	X	X
SET	X	X	X
TRAN	X	X	X
USERID	X	X	X

Table 78. Valid Environments for the UPDATE OLREORG Command and Keywords

Command / Keywords	DB/DC	DBCTL	DCCTL
UPDATE OLREORG	X	X	
NAME	X	X	
SET	X	X	
OPTION	X	X	

Table 79. Valid Environments for the UPDATE TRAN Command and Keywords

Command / Keywords	DB/DC	DBCTL	DCCTL
UPDATE TRAN	X		X
CLASS	X		X
CPRI	X		X
LCT	X		X
LPRI	X		X
MAXRGN	X		X
NAME	X		X
NPRI	X		X

IMS Commands

Table 79. Valid Environments for the UPDATE TRAN Command and Keywords (continued)

Command / Keywords	DB/DC	DBCTL	DCCTL
OPTION	X		X
PARLIM	X		X
PLCT	X		X
SCOPE	X		X
SEGNO	X		X
SEGSZ	X		X
SET	X		X
START	X		X
STOP	X		X

/VUNLOAD**Format****Environments and Keywords**

Table 80 lists the environments (DB/DC, DBCTL, and DCCTL) from which the command and keyword can be issued.

Table 80. Valid Environments for the /VUNLOAD Command and Keyword

COMMAND / KEYWORD	DB/TM	DBCTL	DCCTL
/VUNLOAD	X	X	
AREA	X	X	

Chapter 3. MVS Commands Used for IMS

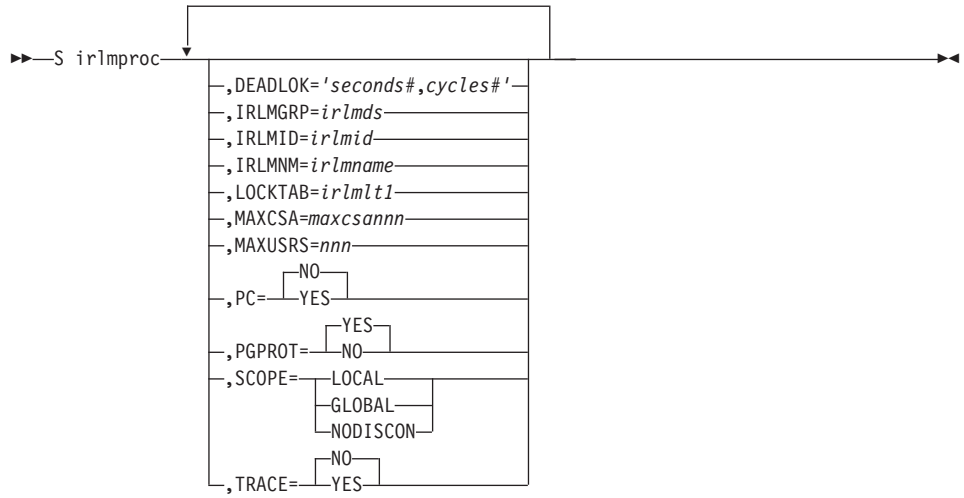
START FDBRPROC

Format

▶—S fdbproc—▶

START IRLMPROC

Format



MODIFY IMS

You can use the following MVS commands to control an IMS region.

F jobname,DUMP**Format**

▶▶—F *jobname*,DUMP—————▶▶

F jobname,DUMPxxxx**Format**

▶▶—F *jobname*,DUMPxxx—————▶▶

F jobname,FORCExxxx**Format**

▶▶—F *jobname*,FORCExxxx—————▶▶

F jobname,RECONNECT**Format**

▶▶—F *jobname*,RECONNECT—————▶▶

F jobname,RECONNSTR**Format**

▶▶—F *jobname*,RECONNSTR—————▶▶

F jobname,STOP**Format**

▶▶—F *jobname*,STOP—————▶▶

F jobname,STOPxxxx**Format**

▶▶—F *jobname*,STOPxxx—————▶▶

MODIFY FDBRPROC

The MODIFY fdbrproc commands are used for an IMS Fast Database Recovery region: to display its status, to stop it, and to recover from failures.

F fdbrproc,DUMP

Format

►►—F fdbrproc,DUMP—————►◄

F fdbrproc,RECOVER

Format

►►—F fdbrproc,RECOVER—————►◄

F fdbrproc,STATUS

Format

►►—F fdbrproc,STATUS—————►◄

F fdbrproc,STOP

Format

►►—F fdbrproc,STOP—————►◄

F fdbrproc,TERM

Format

►►—F fdbrproc,TERM—————►◄

MVS Commands

STOP CQSJOB

Format

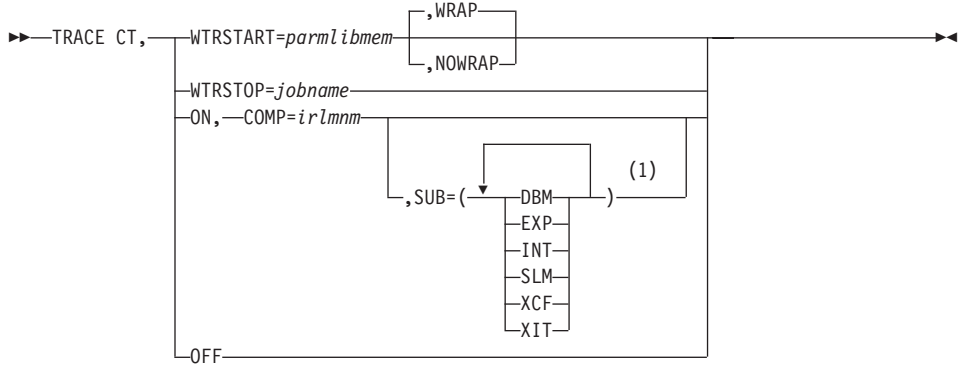
▶▶P *cqsjobname*◀◀

STOP IRLMPROC**Format**

▶▶—P *irlmproc*—————▶▶

TRACE CT

Format



Notes:

- 1 The same trace type can be specified only once.

CANCEL/FORCE ODBA**Format**

▶▶—CANCEL *jobname*—————▶▶

Format

▶▶—FORCE *jobname*—————▶▶

MVS Commands

STOP CSL Address Space

Format

▶▶P—*rmjobname*—————▶▶

▶▶P—*omjobname*—————▶▶

▶▶P—*scijobname*—————▶▶

Chapter 4. Transport Manager Subsystem Commands

DEFINE

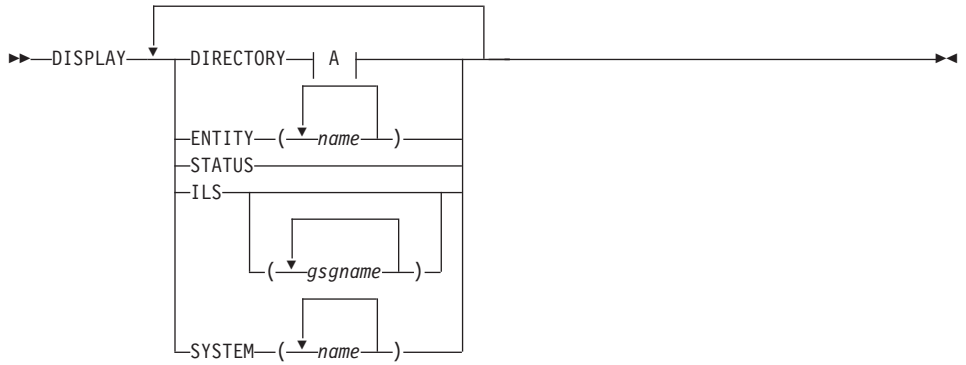
Format

►►—DEFINE—SYSTEM—(—*name*—)—STARTED—STOPPED—◄◄

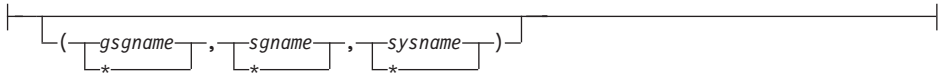
Transport Manager Subsystem Commands

DISPLAY

Format

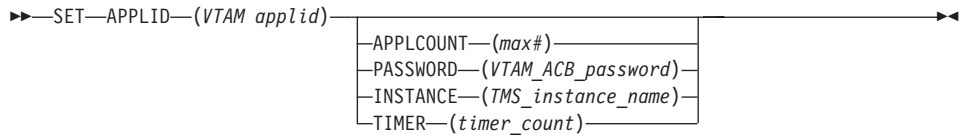


A:



SET

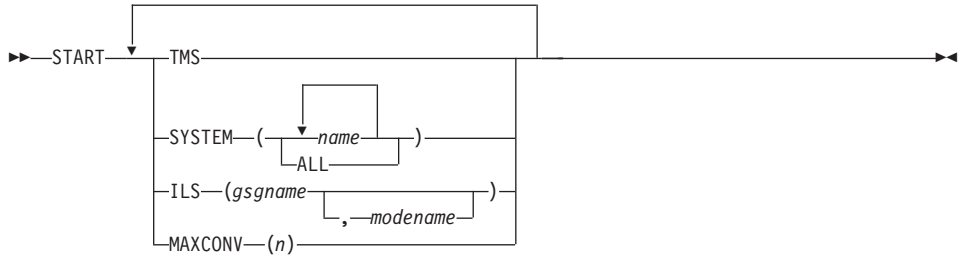
Format



Transport Manager Subsystem Commands

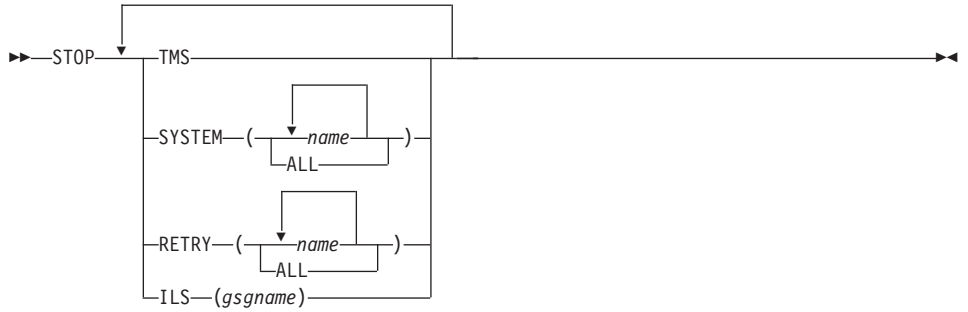
START

Format



STOP

Format



Transport Manager Subsystem Commands

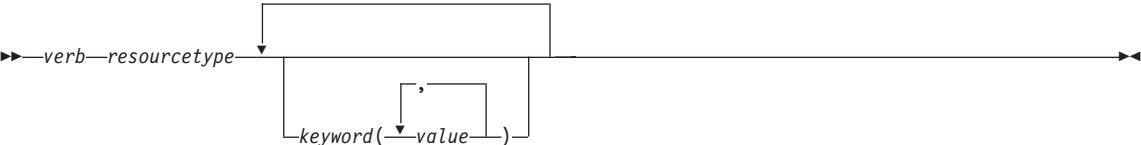
Chapter 5. Base Product Environment Commands

BPE Command Syntax and Invocation

BPE Verb Only Command Syntax



BPE Verb-Resource Type Command Syntax

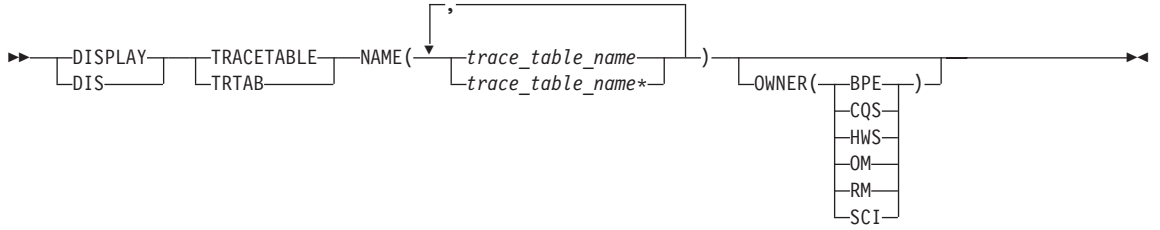


BPE Command Invocation

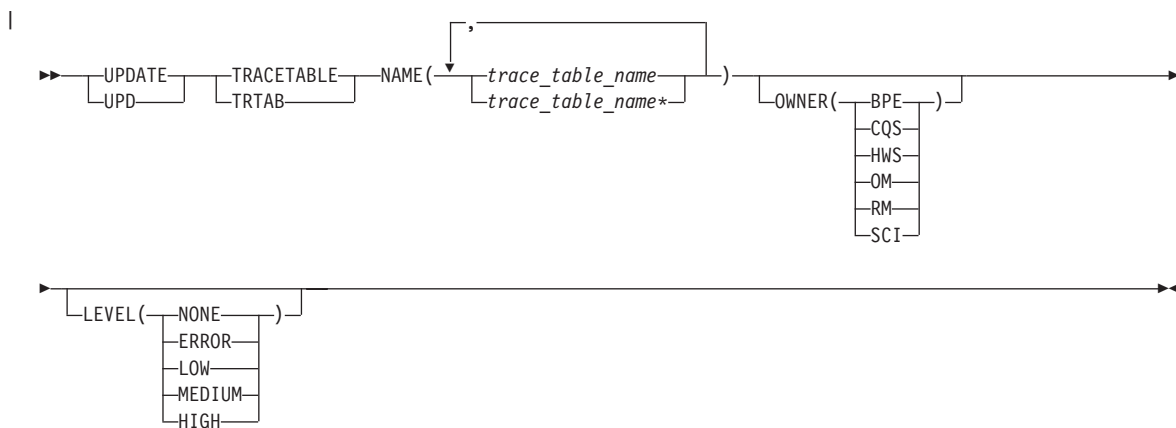


Base Product Environment Commands

DISPLAY TRACETABLE



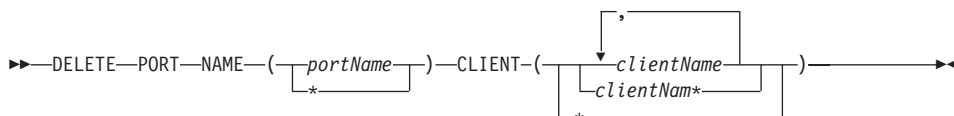
UPDATE TRACETABLE



Chapter 6. IMS Connect z/OS Commands

DELETE PORT

Format



Usage

DELETE PORT is used to delete the client within the specified port name. DELETE or DEL is used to delete the client of the specified resource, which in this case is PORT. PORT is an IMS Connect managed resource.

NAME ()

Specifies the name of the port where you want the client to be deleted. You can specify name(*) for the command to be processed for all ports.

CLIENT ()

Specifies the name of the client, a wildcard, or a list of client names which you want to be deleted. You can specify client(*) for the command to be processed for all clients.

Example

Command input:

```
F HWS01,DEL PORT NAME(9999) CLIENT(CLIENT01)
```

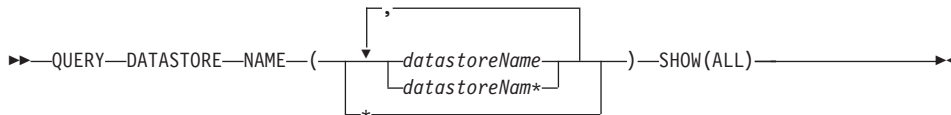
Command output:

```
HWSS0761I TCP/IP COMMUNICATION WITH CLIENT=9999_CLIENT01 STOPPED; M=SCCM
```

Explanation: The client, CLIENT01, within port number 9999 is deleted.

QUERY DATASTORE

Format



Usage

QUERY DATASTORE is used to display the datastore status. QUERY or QRY is used to query the status or attributes of a specified resource. For example, the specified resource is DATASTORE which is an IMS Connect managed resource.

NAME (datastoreName)

Specifies the datastore name to be displayed. You can specify a single datastore name, a wildcard name, or a list of datastore names separated by commas. You can specify name(*) for the command to be processed for all datastores.

SHOW ()

Specifies the output fields to be returned.

ALL Returns all output fields. This is the default.

Example

Command input:

```
F HWS1, QRY DATASTORE NAME(SOCKEYE) SHOW(ALL)
```

Command output:

```
DATASTORE=SOCKEYE      STATUS=ACTIVE
GROUP=XCFGRP1         MEMBER=HWS1
TARGET MEMBER=SOCKEYE
RACF APPL NAME=APPLID1
```

Explanation: The status of the IMS Connect datastore name SOCKEYE is displayed.

QUERY MEMBER

Format

```
►►—QUERY—MEMBER—TYPE—(IMSCON)—SHOW—(ALL)—◄◄
```

Usage

QUERY or QRY is used to query the status or attributes of a specified resource and MEMBER is an IMS Connect managed specified resource. The command, QUERY MEMBER, is used to display the status of IMS Connect.

TYPE ()

Specifies the target type for action.

IMSCON

Specifies that IMS Connect is the target type.

SHOW ()

Specifies the target type to be returned.

ALL

Returns all output fields. This is the default.

Example

Query the status of IMS Connect.

Command input:

```
F HWS1,QRY MEMBER TYPE(IMSCON)
```

Command output:

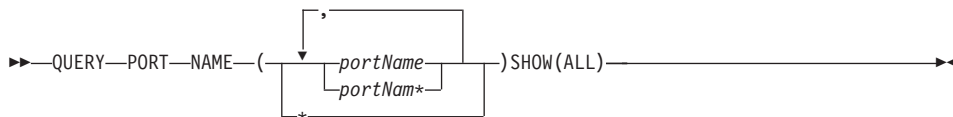
```
| HWSC0001I HWS ID=HWS1 RACF=N
| HWSC0001I MAXSOC=50 TIMEOUT=5000
| HWSC0001I RRS=N STATUS=REGISTERED
| VERSION=210 IP-ADDRESS=009.030.124.032
| SUPER MEMBER NAME=name
| ADAPTER=Y
| DATASTORE=IMS1 STATUS=ACTIVE
| GROUP=XCFGRP1 MEMBER=HWS1
| TARGET MEMBER=IMS1
| RACF APPL NAME=APPLID1
| DATASTORE=IMSA STATUS=DISCONNECT
| GROUP=XCFGRP1 MEMBER=HWSA
| TARGET MEMBER=IMSA
| RACF APPL NAME=APPLID2
| IMSPLEX=PLEX1 STATUS=NOT ACTIVE
| MEMBER=IMSPLEX1 TARGET=PLEX1
| PORT=9999 STATUS=ACTIVE
| NO ACTIVE CLIENTS
| PORT=LOCAL STATUS=ACTIVE
| NO ACTIVE CLIENTS
| PORT=9998S STATUS=NOT ACTIVE
| PORT=8888S STATUS=NOT ACTIVE
```

IMS Connect z/OS Commands

Explanation: The status of IMS Connection is displayed. The status of each datastore and port number is listed.

QUERY PORT

Format



Usage

`QUERY` or `QRY` is used to query the status or attributes of a specified resource and `PORT` is an IMS Connect managed specified resource. The command, `QUERY PORT`, is used to display the requested port status.

NAME (datastoreName)

Specifies the port name to be displayed. You can specify a single port name, a wildcard name, or a list of port names separated by commas. You can specify `name(*)` for the command to be processed for all ports.

SHOW ()

Specifies the output fields to be returned.

ALL Returns all output fields. This is the default.

Example

Command input:

```
F HWS1,QUERY PORT NAME(9999) SHOW(ALL)
```

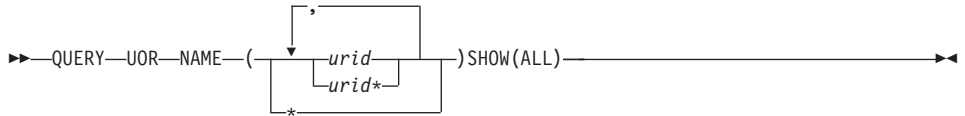
Command output:

```
HWSC0001I    PORT=9999    STATUS=ACTIVE
HWSC0001I    NO ACTIVE CLIENTS
```

Explanation: The status of the IMS Connect port number 9999 is displayed and shows no active clients.

QUERY UOR

Format



Usage

QUERY or QRY is used to query the status or attributes of the specified resource. UOR is an IMS Connect managed resource. QUERY MEMBER is used to display the status of IMS Connect. This command can be issued through the Operations Manager API or through the z/OS modify interface.

NAME ()

Specifies the name of the urid to be displayed. You can specify a single urid, a wildcard name, or a list of urids separated by commas. You can specify name(*) for the command to be processed for all uors.

urid

Specifies the urid to be displayed.

SHOW ()

Specifies the target type to be returned.

ALL Returns all output fields. This is the default.

Example

Query the status of IMS Connect urids.

Command input:

```
F HWS1,QRY UOR NAME(*)
```

Command output:

```
HWSC0050I NO ACTIVE UOR
```

SHUTDOWN MEMBER

Format

```

▶▶—SHUTDOWN—MEMBER—OPTION(—QUIESCE—)————▶▶
                        └—(FORCE)—┘
  
```

Usage

SHUTDOWN or SHUT is used to shutdown a specified resource. MEMBER is an IMS Connect specified managed resource. The command, SHUTDOWN MEMBER, is used to shutdown IMS Connect.

OPTION ()

Specifies the attributes to be stopped.

QUIESCE

Specifies that termination is to end all client and datastore connections in a controlled manner.

FORCE ()

Specifies that termination is to end all client and datastore connections immediately. Immediate termination forces any IMS application that is running with connected clients to abnormally terminate.

Example

Shutdown HWS with force option.

Command input:

```
F HWS07,SHUTDOWN HWS OPTION(FORCE)
```

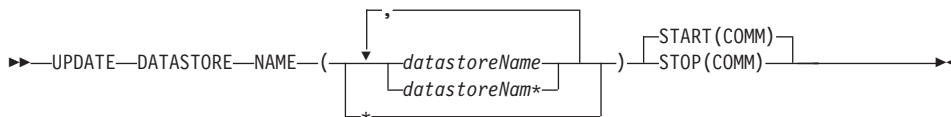
Command output:

```
HWS07 PURGED
```

Explanation: The HWS member is shut down.

UPDATE DATASTORE

Format



Usage

UPDATE or UPD is used to update the status or attributes of a specified resource. DATASTORE is an IMS Connect managed specified resource. The command UPDATE DATASTORE is used to update the current status of the requested datastore.

NAME ()

Specifies the name of the datastore to be updated. You can specify a single datastore, a wildcard name, or a list of datastores separated by commas. You can specify name(*) for the command to be processed for all datastores.

datastoreName

Specifies the datastore to be updated.

START ()

Specifies the attributes to be started.

COMM Starts the communication with the datastore.

STOP ()

Specifies the attributes to be stopped.

COMM Stops the communication with the datastore.

Example

Command input:

```
F HWS1,UPD DATASTORE NAME(SOCKEYE) STOP(COMM)
```

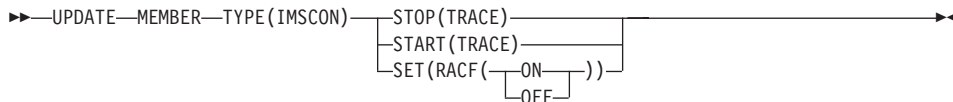
Command output:

```
HWSD028I COMMUNICATION WITH DS=SOCKEYE STOPPED;
M=DSCM
```

Explanation: The communication with the datastore, SOCKEYE, is stopped.

UPDATE MEMBER

Format



Usage

UPDATE or UPD is used to update the status or attributes of a specified resource. MEMBER is an IMS Connect managed resource. The command, UPDATE MEMBER, is used to update the status of IMS Connect.

TYPE ()

Specifies the target type for action.

IMSCON

Specifies IMS Connect as the target type.

START ()

Specifies the attributes to be started.

TRACE Specifies that the line trace will be started.

STOP ()

Specifies the attributes to be stopped.

TRACE Specifies that the line trace will be stopped.

SET

Specifies the attribute values to be changed.

RACF ()

Specifies the attributes to be set.

ON Enables the RACF user identification and verification.

OFF Disables the RACF user identification and verification.

Example

Command input:

```
F HWS1,UPD MEMBER TYPE(IMSCON) SET(RACF(OFF))
```

Command output: None

Command input:

```
F HWS1,QUERY MEMBER TYPE(IMSCON) SHOW(ALL)
```

IMS Connect z/OS Commands

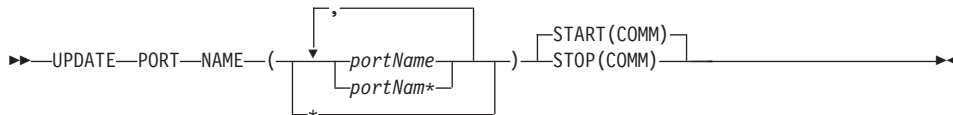
Command output:

```
HWSC0001I  HWS  ID=HWS1  RACF=N
```

Explanation: RACF security check is turned off.

UPDATE PORT

Format



Usage

UPDATE or UPD is used to update the status or attributes of a specified resource. PORT is an IMS Connect managed resource. The command, UPDATE PORT, is used to update the status of a requested port.

NAME ()

Specifies the port name to be updated. You can specify a single port, a wildcard name, or a list of port names separated by commas. You can specify name(*) for the command to be processed for all ports.

portName

Specifies the port to be displayed.

START ()

Specifies the attributes to be started.

COMM Starts the communication with the TCPIP port.

STOP ()

Specifies the attributes to be stopped.

COMM Stops the communication with the TCPIP port.

Example

Command input:

```
F HWS1,UPD PORT NAME(9999) STOP(COMM)
```

Command output:

```
HWSS0770I LISTENING ON PORT=9999   TERMINATED;
M=SSCH
```

Explanation: The port has been updated.

Appendix A. DBCTL Commands

Table 81 is a list of commands and keywords valid in the Database Control (DBCTL) environment. All commands and keywords are valid in a DB/DC environment.

Table 81. Commands and Keywords Valid in DBCTL

Commands	Keywords	Page or Topic
/CHANGE	ABORT, AUTOLOGON, CCTL, COMMIT, FDR, OASN, PASSWORD, PRTKN, RESET, SUBSYS, TIMEOUT	9
/CHECKPOINT	ABDUMP, FREEZE, PURGE, STATISTICS	13
/DBDUMP	DATABASE, GLOBAL, LOCAL, NOFEOV, NOPFA	21
/DBRECOVERY	AREA, DATABASE, DATAGROUP, GLOBAL, LOCAL, NOFEOV, NOPFA	22
/DELETE	DATABASE, PASSWORD, PROGRAM	23
DELETE LE	LTERM, PGM, TRAN, USERID	25
/DEQUEUE	AOITOKEN	26
/DIAGNOSE	ADDRESS, BLOCK, SNAP	28
/DISPLAY	ACTIVE, AOITOKEN, AREA, BKERR, CCTL, CPLOG, DATABASE, DBD, FDR, FPVIRTUAL, HSSP, INDOUBT, MADSIOT, MODIFY, MONITOR, OASN, OLDS, OSAMGTF, PI, POOL, PROGRAM, PSB, RECOVERY, REGION, SHUTDOWN, STATUS, SUBSYS, TABLE, TCO, TRACE, TRACKING STATUS, XTRC	29
/ERESTART	CHECKPOINT, COLDBASE, COLDSYS, FORMAT, NOBMP, OVERRIDE	48
INITIATE OLC	ACBLIB, BLDL, FRACBND, FRCNRML, MODBLKS, OPTION, PHASE, PASSWORD, TYPE	57
INITIATE OLREORG	NAME, SET, OPTION	57
/LOCK	DATABASE, PROGRAM	60
/LOG		61
/MODIFY	ABORT, COMMIT, PASSWORD, PREPARE	63
/NRESTART	CHECKPOINT, FORMAT	67

DBCTL Commands

Table 81. Commands and Keywords Valid in DBCTL (continued)

Commands	Keywords	Page or Topic
/PSTOP	AOITOKEN, JOBNAME, REGION	72
QUERY AREA	NAME, OPTION, SHOW, STATUS	76
QUERY DB	NAME, SHOW, STATUS, TYPE	76
QUERY LE	LTERM, PGM, SHOW, TRAN, USERID	76
QUERY MEMBER	ALL, ATTRIB, SHOW, STATUS, TYPE	76
QUERY OLC	LIBRARY, SHOW	76
QUERY OLREORG	NAME, STATUS, SHOW	76
/RECOVER	ALLENTRIES, AREA, CAGROUP, DB, DBDS, DBDSGRP, ERRORABORT, ERRORCONT, NOCHECK, OFFLINE, PITR, RCVTIME, RCVTOKEN, READNUM, RECOVGRP, REMOVE, SMSOPTS, STAGLOBAL, STALOCAL, START, STOP, USEAREA, USEDBDS, VERIFY	88
/RMxxxxxx		93
/RTAKEOVER	DUMPQ, FREEZE, NOREVERSE, UNPLAN	96
/SSR		101
/START	ACCESS, AREA, AUTOARCH, DATABASE, DATAGROUP, DBALLOC, GLOBAL, ISOLOG, JOBNAME, LOCAL, MADSIOT, NOBACKOUT, NODBALLOC, NOOPEN, OLDS, OPEN, PROGRAM, REGION, SB, SERVGRP, SLDSREAD, SSM, SUBSYS, THREAD, TRKAUTOARCH, WADS, XRCTRACK	102
/STOP	ABDUMP, ADS, AREA, AUTOARCH, CANCEL, DATABASE, DATAGROUP, GLOBAL, JOBNAME, LOCAL, MADSIOT, NOPFA, OLDS, PROGRAM, REGION, SB, SERVGRP, SLDSREAD, SUBSYS, WADS, XRCTRACK	108
/SWITCH	CHECKPOINT, OLDS, WADS	113
TERMINATE OLC		114
TERMINATE OLREORG	NAME, OPTION	114
/TRACE	COMP, MONITOR, NOCOMP, OPTION, OSAMGTF, PI, PROGRAM, PSB, SET, TABLE, TCO, VOLUME	116

Table 81. Commands and Keywords Valid in DBCTL (continued)

Commands	Keywords	Page or Topic
/UNLOCK	DATABASE, PROGRAM	122
UPDATE AREA	NAME, OPTION SCOPE, START, STOP	123
UPDATE DATAGRP	NAME, OPTION, SCOPE, START, STOP	123
UPDATE DB	NAME, OPTION, SCOPE, SET, START, STOP	123
UPDATE LE	LTERM, PGM, SET, TRAN, USERID	123
UPDATE OLREORG	NAME, SET, OPTION	123
/VUNLOAD	AREA	129

Appendix B. DCCTL Commands

Table 82 is a list of commands and keywords valid in a Data Communications Control (DCCTL) environment. All commands and keywords are valid in a DB/DC environment.

Table 82. Commands and Keywords Valid in DCCTL

Commands	Keywords	Page or Topic
/ACTIVATE	LINK, NODE	1
/ALLOCATE	LUNAME, MODE, TPNAME	2
/ASSIGN	CLASS, COMPONENT, CPRI, ICOMPONENT, INPUT, LINE, LCT, LPRI, LTERM, NODE, NOSAVE, NPRI, OUTPUT, PARLIM, PLCT, PTERM, REGION, SAVE, SEGNO, SEGSIZE, TRANSACTION, USER, VTAMPOOL	3
/BROADCAST	ACTIVE, LINE, LTERM, MASTER, MSNAME, NODE, PTERM, SYSID, USER	6
/CANCEL		8
/CHANGE	APPC, ASR, AUTOLOGON, COLDSSESS, CPLOG, DESCRIPTOR, DIRECTORY, FORCSESS, ID, INTERVAL, LINK, LOGOND, LUNAME, MAXRGN, MODE, NODE, NOSAVE, OASN, OUTBND, PASSWORD, RESET, SAVE, SIDE, SUBSYS, SURVEILLANCE, SYNCLEVEL, SYNCSESS, TIMEOUT, TPNAME, TRANSACTION, TYPE, UOR, USER	9
/CHECKPOINT	ABDUMP, DUMPQ, FREEZE, LEAVEPLEX, NOCQSSHUT, PURGE, QUIESCE, SNAPQ, STATISTICS	13
/CLSDST	FORCE, NODE, USER	15
/COMPT	CNS, CRD, NODE, NOTRDY, PCH, PDS, PRT, RDR, READY, TDS, UDS, USER, VID, WPM1, WPM2, WPM3	16
/CQCHKPT	SHAREDQ, STRUCTURE, SYSTEM	18
/CQQUERY	STATISTICS, STRUCTURE	19
/CQSET	SHAREDQ, SHUTDOWN, STRUCTURE	20
/DELETE	LINE, LTERM, NODE, PASSWORD, PROGRAM, PTERM, TERMINAL, TRANSACTION	23

DCCTL Commands

Table 82. Commands and Keywords Valid in DCCTL (continued)

Commands	Keywords	Page or Topic
DELETE LE	LTERM, PGM, TRAN, USERID	25
/DEQUEUE	AOITOKEN, LINE, LTERM, LUNAME, MSNAME, NODE, PTERM, PURGE, PURGE1, SUSPEND, TMEMBER, TPIPE, TPNAME, TRANSACTION, USER	26
/DIAGNOSE	ADDRESS, BLOCK, LTERM, NODE, SNAP, TRAN, USER	28
/DISPLAY	ACTIVE, AFFINITY, AOITOKEN, APPC, ASSIGNMENT, AUTOLOGON, BALGRP, CLASS, CONVERSATION, CPLOG, CQS, DC, DESCRIPTOR, EMHQ, EXIT, HSB, INPUT, LINE, LINK, LTERM, LUNAME, MASTER, MODE, MODIFY, MONITOR, MSGAGE, MSNAME, MSPLINK, NODE, OASN, OLDS, OTMA, OUTPUT, OVERFLOWQ, PGM, POOL, PRIORITY, PROGRAM, PSB, PTERM, Q, QCNT, REGION, REMOTE, RTCODE, SHUTDOWN, STATUS, STRUCTURE, SUBSYS, SYSID, TABLE, TCO, TIMEOUT, TIMEOVER, TMEMBER, TPIPE, TPNAME, TRACE, TRACKING STATUS, TRANSACTION, TRAP, UOR, USER, XTRC	29
/END	LINE, NODE, PTERM, USER	47
/ERESTART	BACKUP, BUILDQ, CHECKPOINT, CMDAUTH, CMDAUTHE, COLDCOMM, COLDSYS, FORMAT, MULTSIGN, NOBMP, NOCMDAUTH, NOCMDAUTHE, NOPASSWORD, NOTERMINAL, NOTRANAUTH, NOTRANCMD, NOUSER, OVERRIDE, PASSWORD, SNGLSIGN, TERMINAL, TRANAUTH, TRANCMD, USER	48
/EXCLUSIVE	LINE, NODE, PTERM, USER	51
/EXIT	CONVERSATION, LINE, NODE, PTERM, USER	52
/FORMAT	LTERM	53
/HOLD		54
/IAM	DONE, LTERM, PTERM	55
/IDLE	LINE, LINK, NODE, NOSHUT	56
INITIATE OLC	ACBLIB, BLDL, FMTLIB, FRCABND, FRCNRML, MODBLKS, OPTION, PHASE, PASSWORD, TERMINAL, TRANCMD, TYPE	58

Table 82. Commands and Keywords Valid in DCCTL (continued)

Commands	Keywords	Page or Topic
INITIATE OLREORG	NAME, SET, OPTION	58
/LOCK	LTERM, NODE, PROGRAM, PTERM, TRANSACTION	60
/LOG		61
/LOOPTEST	LINE, PTERM	62
/MODIFY	ABORT, COMMIT, LTERM, PASSWORD, PREPARE, TERMINAL, TRANCMD5	63
/MONITOR	LINE, PTERM	64
/MSASSIGN	LINK, LOCAL, MSNAME, MSPLINK, SYSID, TRANSACTION	65
/MSVERIFY	MSNAME, SYSID	66
/NRESTART	BUILDQ, CHECKPOINT, CMDAUTH, CMDAUTHE, FORMAT, MULTSIGN, NOBUILDQ, NOCMDAUTH, NOCMDAUTHE, NOPASSWORD, NOTERMINAL, NOTRANAUTH, NOTRANCMD5, NOUSER, PASSWORD, SNGLSIGN, TERMINAL, TRANAUTH, TRANCMD5, USER	67
/OPNDST	ID, LOGOND, MODE, NODE, Q, UDATA, USER, USERD	70
/PSTOP	AOITOKEN, CLASS, FORCE, JOBNAME, LINE, LINK, LTERM, MSPLINK, PTERM, PURGE, REGION, TRANSACTION	72
/PURGE	APPC, CLASS, FPPROG, FPREGION, LINE, LTERM, MSNAME, PTERM, TRANSACTION	74
QUERY LE	LTERM, PGM, SHOW, TRAN, USERID	80
QUERY MEMBER	ALL, ATTRIB, SHOW, STATUS, TYPE	80
QUERY OLC	LIBRARY, SHOW	80
QUERY TRAN	CLASS, NAME, QCNT, SHOW, STATUS	80
/QUIESCE	NODE, USER	84
/RCLSDST		85
/RCOMPT	CNS, NOTRDY, PCH, PDS, PRT, RDR, READY, TDS, UDS, VID	86
/RDISPLAY	MASTER	87
/RELEASE	CONVERSATION	91

DCCTL Commands

Table 82. Commands and Keywords Valid in DCCTL (continued)

Commands	Keywords	Page or Topic
/RESET		92
/RMxxxxxx	LTERM	93
/RSTART	CONTINUOUS, LINE, LINK, LOPEN, MODE, MSPLINK, NODE, PTERM, USER	94
/RTAKEOVER	DUMPQ, FREEZE, NOREVERSE, UNPLAN	96
/SECURE	APPC, OTMA	97
/SET	CONVERSATION, LTERM, TRANSACTION	98
/SIGN		99
/SMCOPY	MASTER, TERMINAL	100
/SSR		101
/START	AFFINITY, APPC, AUTOARCH, CLASS, DC, DESC, GRSNAME, INPUT, ISOLOG, JOBNAME, LINE, LTERM, LUNAME, MSNAME, NODE, OLDS, OTMA, OUTPUT, PROGRAM, PTERM, REGION, RTCODE, SERVGRP, SLDSREAD, SSM, SUBSYS, SURVEILLANCE, TMEMBER, TPIPE, TPNAME, TRANSACTION, TRKAUTOARCH, USER, VGR, WADS, XRCTRACK	102
/STOP	ABDUMP, APPC, AUTOARCH, BACKUP, CANCEL, CLASS, DESC, DC, INPUT, JOBNAME, LINE, LTERM, LUNAME, MSNAME, NODE, OLDS, OTMA, OUTPUT, PROGRAM, PTERM, REGION, RTCODE, SERVGRP, SLDSREAD, SUBSYS, SURVEILLANCE, THREAD, TMEMBER, TPIPE, TPNAME, TRANSACTION, USER, VGR, WADS, XRCTRACK	108
/SWITCH	ABDUMP, ACTIVE, BACKUP, CHECKPOINT, FORCE, OLDS, SYSTEM, WADS	113
TERMINATE OLC		114
/TEST	LINE, NODE, PTERM, USER	115
/TRACE	AUTO, EXIT, INPUT, LEVEL, LINE, LINK, LUNAME, MODULE, MONITOR, MSG, NODE, OPTION, OUTPUT, PROGRAM, SET, TABLE, TAKEOVER, TCO, TIMEOUT, TMEMBER, TPIPE, TPNAME, TRANSACTION, TRAP, UNITYPE, USER, VOLUME	116

Table 82. Commands and Keywords Valid in DCCTL (continued)

Commands	Keywords	Page or Topic
/UNLOCK	LTERM, NODE, PROGRAM, PTERM, SYSTEM, TRANSACTION	122
UPDATE LE	LTERM, PGM, SET, TRAN, USERID	126
UPDATE TRAN	CLASS, CPRI, LCT, LPRI, MAXRGN, NAME, NPRI, OPTION, PARLIM, PLCT, SCOPE, SEGNO, SEGSZ, SET, START, STOP	126

Appendix C. List of Reserved Words

Table 83 is a list of words that cannot be used to name resources such as transactions or databases. The words listed in this table are used and reserved only for IMS commands.

Table 83. Words Used and Reserved Only for IMS Commands

A	ABDUMP	ABORT	ACCESS
ACT	ACTIV	ACTIVATE	ACTIVE
ADDS	ADS	AFF	AFFIN
AFFINITY	AFTER	AOITKN	APDB
APMQ	AOITOKEN	ALL	ALLENTRIES
ALLENT	ALLOC	ALLOCATE	ALLOCF
ALLOCS	APPC	ARCHIVE	AREA
ASMT	ASR	ASSIGN	ASSIGNMENT
AUTO	AUTOARC	AUTOARCH	AUTOLOGON
AUTOLGN	AUTOSR	BACKOUT	BACKUP
BALG	BALGRP	BKERR	BLDQ
BLDQS	BROADCAST	BU	BUILDQ
BUILDQS	C1INOP	C2INOP	C3INOP
C4INOP	CAGROUP	CAGRP	CANCEL
CC	CCTL	CHANGE	CHECKPOINT
CHECKPT	CHKPOINT	CHKPT	CHNGS
CLASS	CLS	CLSDST	CMDAUTH
CMDAUTH	CNS	COLDB	COLDBASE
COLDC	COLDCOMM	COLDS	COLDS
COLDSYS	COMMIT	COMP	COMPINOP
COMPONENT	COMPT	CON	CONT
CONTINUOUS	CONV	CONVACT	CONVERSATION
CONVHLD	CPRI	CQCHKPT	CQQUERY
CPLOG	CQC	CQQ	CQS
CQSET	CRD	DATABASE	DATABASES
DATAGROUP	DATAGRP	DB	DBALLOC
DBD	DBDS	DBDSGRP	DBDUMP
DBR	DBRECOVERY	DBS	DC
DEACT	DEADQ	DELETE	DELS
DEQUEUE	DESC	DESCRIPTOR	DL/I
DLOG	DIS	DISP	DISPLAY
DIR	DIRECTORY	DMS	DONE
DUMPQ	DUMPQS	EEQE	EMHQ
END	ERESTART	ERRORCONT	EXCL
EXCLUSIVE	EXIT	EXTRACE	FAST
FDR	FIRST	FMS	FMT

Reserved Words

Table 83. Words Used and Reserved Only for IMS Commands (continued)

FOR	FORC	FORCE	FORCES
FORCSESS	FORMAT	FPPROG	FPREGION
FPRGN	FPV	FPVIRTUAL	FREEZE
GLOBAL	GRS	GRSN	GRSNAME
HOLD	HOTSTANDBY	HSB	HSSP
IAM	IC	ICOMPONENT	ICOMPT
ID	IDCO	IDLE	IND
INDOUBT	INOP	INPUT	INQONLY
INT	INTERVAL	INTV	IOVF
ISOLOG	JBN	JOB	JOBNAME
KEY	LA	LATC	LCT
LEAVEGR	LEVEL	LGND	LINE
LINES	LINK	LMCT	LOC
LOCAL	LOCK	LOG	LOGOND
LOOPTEST	LOPEN	LOST	LPRI
LRTT	LTERM	LTERMS	LU
LUMI	LUN	LUNAME	MADSIOT
MASTER	MAXRGN	MESSAGE	MFST
MFSTEST	MODE	MODETABLE	MODETBL
MODIFY	MODS	MODULE	MON
MONITOR	MSASSIGN	MSDB	MSDBLOAD
MSG	MSGAGE	MSGREG	MSGREGION
MSGREGIONS	MSGREGS	MSNAME	MSPLINK
MSVERIFY	MULTSIGN	NBLDQ	NOBACKOUT
NOBKO	NOBLDQ	NOBMP	NOBUILDQ
NOCHECK	NOCMDAUTH	NOCMDAUTHE	NOCOMP
NODBALLOC	NODE	NOFEOV	NOIN
NONE	NOOUT	NOPASSWORD	NOPFA
NOPSWD	NOQUEUE	NOREVERSE	NOS
NOSAVE	NOSHUT	NOTER	NOTERM
NOTERMINAL	NOTINIT	NOTOPEN	NOTRANAUTH
NOTRANCMDS	NOTRDY	NOUSER	NPRI
NRESTART	OASN	OFF	OFFLINE
OFR	OLDS	OLREORG	ON
OPNDST	OPTION	OSAMGTF	OTMA
OTMT	OUTPUT	OVER	OVERFLOWQ
OVERRIDE	OVFLWQ	PAGE	PARLIM
PASSWORD	PASSWORDS	PCH	PDS
PGM	PGMS	PI	PITR
PLCT	PLMCT	POOL	PREL
PREO	PREPARE	PRI	PRIMARY
PRIORITY	PRK	PROG	PROGRAM
PROGRAMS	PROGS	PRST	PRT
PRTKN	PRTY	PSB	PSS
PSTOP	PSTOPPED	PSWD	PSWDS

Table 83. Words Used and Reserved Only for IMS Commands (continued)

PTERM	PTERMS	PUR	PURGE
PURGE1	Q	QCNT	QMGR
QRTT	QS	QUEUE	QUEUES
QUI	QUIESCE	RCLSDST	RCOMPT
RCS	RCVTIME	RCVTOKEN	RDISPLAY
RDR	READNUM	READY	RECOVERY
RECOVGRP	REG	REGION	REGIONS
REGS	RELEASE	RELREQ	REMOTE
REMOVE	RESET	RESP	RESPINP
RESYNC	RETR	RMCHANGE	RMDELETE
RMGENJCL	RMINIT	RMLIST	RMNOTIFY
RSTART	RTAKEOVER	RTC	RTCODE
SAVE	SB	SCHD	SEC
SECURE	SECURITY	SEGNO	SEGSIZE
SEGSZ	SERVGRP	SET	SG
SHAREDQ	SHRQ	SHUT	SHUTDOWN
SIDE	SIGN	SIMLOGON	SINGLE
SMCOPY	SNAPQ	SNGL	SNGLSIGN
SQTT	SSM	SSR	STAGLOBAL
STALOCAL	STA	START	STATIC
STATISTICS	STATUS	STO	STOP
STOPPED	STRG	STRUC	STRUCTURE
SUB	SUBS	SUBPOOL	SUBSYS
SUBSYSTEMEMBER	SUBSYSTEM	SUBSYSTEMS	SUR
SURV	SURVEIL	SURVEILLANCE	SUSPEND
SWITCH	SYNC	SYNCLLEVEL	SYNCLV
SYNCSESS	SYSID	SYSTEM	TABLE
TAKEOVER	TCO	TDS	TER
TERM	TERMINAL	TERMINALS	TERMINATE
TERMS	TERS	TEST	THREAD
TIMEOUT	TIMEOVER	TIMO	TKO
TKOTRA	TKOVR	TMEM	TMEMBER
TO	TP	TPI	TPIPE
TPN	TPNAME	TRA	TRACE
TRACKING	TRACKING STATUS	TRAN	TRANAUTH
TRANCMD5	TRANCODE	TRANCODES	TRANS
TRANSACTION	TRANSACTIONS	TRAP	TRKARCH
TRKAUTOARCH	TRS	TYPE	UDATA
UDS	UNITYTYPE	UNL	UNLOCK
UNPLAN	UOR	USEDDBDS	USER
USERD	USRD	VERIFY	VGR
VGRS	VID	VIR	VOLUME
VPL	VTAMPOOL	VUNLOAD	WADS
WPM1	WPM2	WPM3	XKEY
XTRC	XTRACE		

Reserved Words

Appendix D. Commands That Are Valid in ETO

Table 84 is a list of the commands that are valid for lterms, nodes, and users in ETO.

Table 84. Commands Valid in ETO

Commands	Dynamic lterms That Are Valid	Dynamic Nodes That Are Valid	Dynamic Users That Are Valid
/ACTIVATE		X	
/ASSIGN	X ¹		X ²
/BROADCAST	X	X	X
/CHANGE		X	X
/CLSDST		X	X
/COMPT		X	X
/DEQUEUE	X	X	X
/DISPLAY	X	X	X
/END			X
/EXCLUSIVE			X
/EXIT		X	X
/FORMAT	X		
/IDLE		X	
/LOCK	X	X	
/MODIFY	X		
/OPNDST		X	
/PSTOP	X		
/PURGE	X		
/QUIESCE		X	X
/RMxxxxxx	X		
/RSTART		X	X
/SET	X		
/SIGN			X
/START	X	X	X
/STOP	X	X	X
/TEST			X

ETO Commands

Table 84. Commands Valid in ETO (continued)

Commands	Dynamic Lterms That Are Valid	Dynamic Nodes That Are Valid	Dynamic Users That Are Valid
/TRACE		X	
/UNLOCK	X	X	

Notes:

1. Only valid for /ASSIGN LTERM USER.
2. Only valid for /ASSIGN USER.

Notices

This information was developed for products and services offered in the U.S.A. IBM may not offer the products, services, or features discussed in this document in other countries. Consult your local IBM representative for information on the products and services currently available in your area. Any reference to an IBM product, program, or service is not intended to state or imply that only that IBM product, program, or service may be used. Any functionally equivalent product, program, or service that does not infringe any IBM intellectual property right may be used instead. However, it is the user's responsibility to evaluate and verify the operation of any non-IBM product, program, or service.

IBM may have patents or pending patent applications covering subject matter described in this document. The furnishing of this document does not give you any license to these patents. You can send license inquiries, in writing, to:

IBM Director of Licensing
IBM Corporation
North Castle Drive
Armonk, NY 10504-1785
U.S.A.

For license inquiries regarding double-byte (DBCS) information, contact the IBM Intellectual Property Department in your country or send inquiries, in writing, to:

IBM World Trade Asia Corporation
Licensing
2-31 Roppongi 3-chome, Minato-ku
Tokyo 106, Japan

The following paragraph does not apply to the United Kingdom or any other country where such provisions are inconsistent with local law:
INTERNATIONAL BUSINESS MACHINES CORPORATION PROVIDES THIS PUBLICATION "AS IS" WITHOUT WARRANTY OF ANY KIND, EITHER EXPRESS OR IMPLIED, INCLUDING, BUT NOT LIMITED TO, THE IMPLIED WARRANTIES OF NON-INFRINGEMENT, MERCHANTABILITY OR FITNESS FOR A PARTICULAR PURPOSE. Some states do not allow disclaimer of express or implied warranties in certain transactions, therefore, this statement may not apply to you.

This information could include technical inaccuracies or typographical errors. Changes are periodically made to the information herein; these changes will

be incorporated in new editions of the publication. IBM may make improvements and/or changes in the product(s) and/or the program(s) described in this publication at any time without notice.

Any references in this information to non-IBM Web sites are provided for convenience only and do not in any manner serve as an endorsement of those Web sites. The materials at those Web sites are not part of the materials for this IBM product and use of those Web sites is at your own risk.

IBM may use or distribute any of the information you supply in any way it believes appropriate without incurring any obligation to you.

Licensees of this program who wish to have information about it for the purpose of enabling: (i) the exchange of information between independently created programs and other programs (including this one) and (ii) the mutual use of the information which has been exchanged, should contact:

IBM Corporation
J46A/G4
555 Bailey Avenue
San Jose, CA 95141-1003
U.S.A.

Such information may be available, subject to appropriate terms and conditions, including in some cases, payment of a fee.

The licensed program described in this information and all licensed material available for it are provided by IBM under terms of the IBM Customer Agreement, IBM International Program License Agreement, or any equivalent agreement between us.

Any performance data contained herein was determined in a controlled environment. Therefore, the results obtained in other operating environments may vary significantly. Some measurements may have been made on development-level systems and there is no guarantee that these measurements will be the same on generally available systems. Furthermore, some measurement may have been estimated through extrapolation. Actual results may vary. Users of this document should verify the applicable data for their specific environment.

Information concerning non-IBM products was obtained from the suppliers of those products, their published announcements or other publicly available sources. IBM has not tested those products and cannot confirm the accuracy of performance, compatibility or any other claims related to non-IBM products. Questions on the capabilities of non-IBM products should be addressed to the suppliers of those products.

All statements regarding IBM's future direction or intent are subject to change or withdrawal without notice, and represent goals and objectives only.

This information is for planning purposes only. The information herein is subject to change before the products described become available.

This information contains examples of data and reports used in daily business operations. To illustrate them as completely as possible, the examples include the names of individuals, companies, brands, and products. All of these names are fictitious and any similarity to the names and addresses used by an actual business enterprise is entirely coincidental.

COPYRIGHT LICENSE:

This information contains sample application programs in source language, which illustrates programming techniques on various operating platforms. You may copy, modify, and distribute these sample programs in any form without payment to IBM, for the purposes of developing, using, marketing or distributing application programs conforming to the application programming interface for the operating platform for which the sample programs are written. These examples have not been thoroughly tested under all conditions. IBM, therefore, cannot guarantee or imply reliability, serviceability, or function of these programs. You may copy, modify, and distribute these sample programs in any form without payment to IBM for the purposes of developing, using, marketing, or distributing application programs conforming to IBM's application programming interfaces.

Each copy or any portion of these sample programs or any derivative work, must include a copyright notice as follows:

© (your company name) (year). Portions of this code are derived from IBM Corp. Sample Programs. © Copyright IBM Corp. _enter the year or years_. All rights reserved.

If you are viewing this information softcopy, the photographs and color illustrations may not appear.

Programming Interface Information

This book is intended to help terminal operators use the IMS Version 9 commands and the z/OS commands used for the Internal Resource Lock Manager. This book primarily documents General-use Programming Interface and Associated Guidance Information provided by IMS Version 9.

General-use programming interfaces allow the customer to write programs that obtain the services of IMS Version 9.

However, this book also documents Product-sensitive Programming Interface and Associated Guidance Information provided by IMS Version 9.

Product-sensitive programming interfaces allow the customer installation to perform tasks such as diagnosing, modifying, monitoring, repairing, tailoring, or tuning of IMS Version 9. Use of such interfaces creates dependencies on the detailed design or implementation of the IBM software product.

Product-sensitive programming interfaces should be used only for these specialized purposes. Because of their dependencies on detailed design and implementation, it is to be expected that programs written to such interfaces may need to be changed in order to run with new product releases or versions, or as a result of service.

Product-sensitive programming interface

Product-sensitive Programming Interface and Associated Guidance Information is identified where it occurs, either by an introductory statement to a chapter or section or by the markup that surrounds this paragraph.

End of Product-sensitive programming interface

Trademarks

The following terms are trademarks of the IBM Corporation in the United States or other countries or both:

ACF/VTAM	IMS/ESA	z/OS
BookManager	MVS/ESA	
CICS	QMF	
Hiperspace	RACF	
IMS	VTAM	

Java and all Java-based trademarks and logos are trademarks of Sun Microsystems, Inc., in the United States, other countries, or both.

UNIX is a registered trademark of The Open Group in the United States and other countries.

Other company, product, and service names may be trademarks or service marks of others.



Program Number: 5655-J38

Printed in USA

SC18-7832-02



Spine information:



IMS

Summary of Commands

Version 9