

z/OS



# JES3 Commands Summary



z/OS



# JES3 Commands Summary

**Note**

Before using this information and the product it supports, be sure to read the general information under "Notices" on page 47.

**Fourth edition, September 2002**

This is a major revision of SA22-7541-02.

This edition applies to Version 1 Release 4 of z/OS (5694-A01), z/OS.e Version 1 Release 4 (5655-G52), and to all subsequent releases and modifications until otherwise indicated in new editions.

Order documents through your IBM® representative or the IBM branch office serving your locality. Documents are not stocked at the address below.

IBM welcomes your comments. A form for readers' comments may be provided at the back of this document, or you may address your comments to the following address:

International Business Machines Corporation  
Department 55JA, Mail Station P384  
2455 South Road  
Poughkeepsie, NY 12601-5400  
United States of America

FAX (United States & Canada): 1+845+432-9405

FAX (Other Countries):

Your International Access Code +1+845+432-9405

IBMLink™ (United States customers only): IBMUSM10(MHVRCFS)

Internet e-mail: mhvrcfs@us.ibm.com

World Wide Web: <http://www.ibm.com/servers/eserver/zseries/zos/webqs.html>

If you would like a reply, be sure to include your name, address, telephone number, or FAX number.

Make sure to include the following in your comment or note:

- Title and order number of this document
- Page number or topic related to your comment

When you send information to IBM, you grant IBM a nonexclusive right to use or distribute the information in any way it believes appropriate without incurring any obligation to you.

© Copyright International Business Machines Corporation 1988, 2002. All rights reserved.

US Government Users Restricted Rights – Use, duplication or disclosure restricted by GSA ADP Schedule Contract with IBM Corp.

# Contents

<b>About this document</b> . . . . .	vii
Determining If a Publication Is Current . . . . .	vii
<b>Summary of changes</b> . . . . .	ix
<b>JES3 Commands Summary</b> . . . . .	1
*CALL or *X . . . . .	1
*CANCEL or *C . . . . .	1
*DUMP . . . . .	1
*FAIL . . . . .	1
*FREE . . . . .	1
*INQUIRY or *I active jobs . . . . .	2
*INQUIRY or *I backlog jobs . . . . .	2
*INQUIRY or *I buffer pools . . . . .	2
*INQUIRY or *I job classes . . . . .	2
*INQUIRY or *I displaying RJP status and device status . . . . .	3
*INQUIRY or *I,DEST displaying defined destinations for inbound NJE SYSOUT . . . . .	4
*INQUIRY or *I FSSs . . . . .	4
*INQUIRY or *I GMS . . . . .	5
*INQUIRY or *I JES3 jobs . . . . .	5
*INQUIRY or *I deadline . . . . .	5
*INQUIRY or *I MCS routing codes . . . . .	6
*INQUIRY or *I writer output multitasking . . . . .	6
*INQUIRY or *I DJC networks . . . . .	6
*INQUIRY or *I JES3 networking . . . . .	6
*INQUIRY or *I RJP consoles . . . . .	6
*INQUIRY or *I priorities . . . . .	7
*INQUIRY or *I procedure libraries. . . . .	7
*INQUIRY or *I job queue status . . . . .	7
*INQUIRY or *I MDS setup . . . . .	8
*INQUIRY or *I BSC RJP lines . . . . .	9
*INQUIRY or *I U for Q=BDT, Q=HOLD, or Q=WTR . . . . .	9
*INQUIRY or *I MAIN. . . . .	12
*INQUIRY or *I OPTIONS . . . . .	12
*INQUIRY or *I OUTSERV . . . . .	12
*INQUIRY or *I SC . . . . .	12
*INQUIRY or *I STD . . . . .	12
*INQUIRY or *I WANTDUMP . . . . .	12
*INQUIRY WTO, pace monitoring. . . . .	12
*INQUIRY or *I DSP and module use counts . . . . .	13
*MESSAGE,dest or *Z . . . . .	13
*MESSAGE or *Z . . . . .	13
*MODIFY or *F job class characteristics . . . . .	13
*MODIFY or *F configuration . . . . .	14
*MODIFY or *F,DEST changing defined destinations for inbound NJE SYSOUT . . . . .	14
*MODIFY or *F event tracing . . . . .	14
*MODIFY or *F FSSs. . . . .	14

*MODIFY or *G GMS.	15
*MODIFY or *F JES3 jobs	15
*MODIFY or *F deadline scheduling	16
*MODIFY or *F MCS routing codes	16
*MODIFY or *F writer output multitasking	16
*MODIFY or *F DJC network	17
*MODIFY or *F JES networking	17
*MODIFY or *F RJP consoles	17
*MODIFY or *F job queue spool data sets	18
*MODIFY or *F MDS setup	18
*MODIFY or *F BSC ro SNA RJP workstations	19
*MODIFY or *F U for Q=BDT, Q=HOLD, or Q=WTR	20
*MODIFY or *F vary function	23
*MODIFY or *F WANTDUMP	23
*MODIFY or *F modify writer function	23
*MODIFY or *F WTO, pace monitoring	23
*MODIFY or *F DSP and module usage	23
*RESTART or *R,DC	24
*RESTART or *R,devname	24
*RESTART or *R,JESNEWS	24
*RESTART or *R,main	25
*RESTART or *R,NJEROUT	25
*RESTART or *R,RJP	25
*RESTART or *R,RJPSNPS	25
*RESTART or *R,SETUP	25
*RESTART or *R,SNARJP	26
*RETURN	26
*SEND,nodename	26
*START or *S	26
*SWITCH	26
*TRACE	26
*VARY or *V	27
BDT DSP: Sending MVS/BDT commands from a JES3 console	28
CR, DR, TR DSPs: input service readers	28
DC DSP: dump core	30
DEADLINE DSP: deadline scheduling	31
DISPDJIC DSP: display dependent job control tables	31
DISPLAY DSP	32
DJ DSP: dump job	32
DSI DSP: dynamic system interchange	34
IC DSP: iteration count	35
INTRDR DSP: internal reader	35
JESNEWS DSP	35
JMF DSP: JES3 monitoring facility	35
JSS	36
locate processing, cancel a job	36
MAIN DSP: main service	36
MONITOR DSP	37
NJE DSP: JES3 networking line manager	38
NJECONS DSP: JES3 networking console support	38

NJERDR DSP: networking job entry reader . . . . .	38
NJEROUT DSP . . . . .	38
RJP DSPs: BSC RJP and SNA RJP. . . . .	40
SNA RJP DSP . . . . .	40
RJPSNPS DSP: RJP snapshot dumps . . . . .	41
SETUP DSP: main device scheduler (MDS) . . . . .	41
VARYL DSP. . . . .	41
WTR DSP: output service writer . . . . .	41
Signing on/logging on to an RJP workstation . . . . .	44
Signing off of a BSC FJP workstation . . . . .	44
Logging on to a SNA RJP workstation . . . . .	44
Logging on to a SNA RJP workstation . . . . .	44
<b>Appendix. Accessibility</b> . . . . .	45
Using assistive technologies . . . . .	45
Keyboard navigation of the user interface . . . . .	45
<b>Notices</b> . . . . .	47
Programming Interface Information . . . . .	48
Trademarks . . . . .	48





---

## About this document

This document supports z/OS (5694–A01) and z/OS.e (5655–G52).

This document lists the syntax of JES3 commands. The information in this document is summarized from *z/OS JES3 Commands*, SA22-7540 and *z/OS JES3 Diagnosis*, GA22-7547. To make the document an "easy to use" reference to JES3 commands, no parameter descriptions are supplied for the commands and certain commands are consolidated to reduce the document size.

---

## Determining If a Publication Is Current

As needed, IBM updates its publications with new and changed information. For a given publication, updates to the hardcopy and associated BookManager softcopy are usually available at the same time. Sometimes, however, the updates to hardcopy and softcopy are available at different times. Here's how to determine if you are looking at the most current copy of a publication:

1. At the end of a publication's order number there is a dash followed by two digits, often referred to as the dash level. A publication with a higher dash level is more current than one with a lower dash level. For example, in the publication order number GC28-1747-07, the dash level 07 means that the publication is more current than previous levels, such as 05 or 04.
2. If a hardcopy publication and a softcopy publication have the same dash level, it is possible that the softcopy publication is more current than the hardcopy publication. Check the dates shown in the Summary of Changes. The softcopy publication might have a more recently dated Summary of Changes than the hardcopy publication.
3. To compare softcopy publications, you can check the last two characters of the publication's filename (also called the book name). The higher the number, the more recent the publication. Also, next to the publication titles in the CD-ROM booklet and the readme files, there is an asterisk that indicates whether a publication is new or changed.



---

## Summary of changes

### Summary of changes for SA22-7541-03 z/OS Version 1 Release 4

The document contains information previously presented in *z/OS JES3 Commands Summary*, SA22-7540-02, which supports z/OS Version 1 Release 3.

#### New information

- An appendix with z/OS product accessibility information has been added.
- Information is added to indicate that this document supports z/OS.e.
- Added new command, \*INQUIRY,MAIN. See “\*INQUIRY or \*I MAIN” on page 12.
- Added new command, \*INQUIRY,OPTIONS. See “\*INQUIRY or \*I OPTIONS” on page 12.
- Added new command, \*INQUIRY,OUTSERV. See “\*INQUIRY or \*I OUTSERV” on page 12.
- Added new command, \*INQUIRY,SC. See “\*INQUIRY or \*I SC” on page 12.
- Added new command, \*INQUIRY,STD. See “\*INQUIRY or \*I STD” on page 12.
- Added new command, \*INQUIRY,WANTDUMP. See “\*INQUIRY or \*I WANTDUMP” on page 12.
- Added new command, \*MODIFY,WANTDUMP. See “\*MODIFY or \*F WANTDUMP” on page 23.

This document contains terminology, maintenance, and editorial changes, including changes to improve consistency and retrievability.

Starting with z/OS V1R2, you may notice changes in the style and structure of some content in this document—for example, headings that use uppercase for the first letter of initial words only, and procedures that have a different look and format. The changes are ongoing improvements to the consistency and retrievability of information in our documents.

### Summary of changes for SA22-7541-01 z/OS Version 1 Release 2

The document contains information previously presented in SA22-7540-00, which supports z/OS Version 1 Release 1.

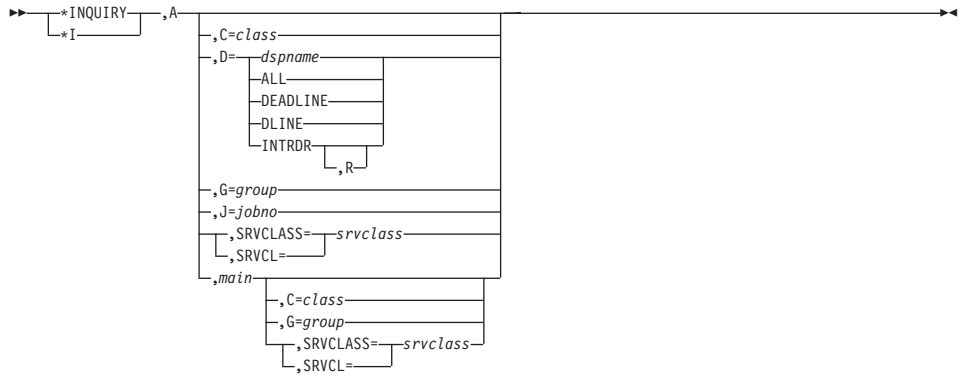
#### New information

- MODIFY,C - New parameters JESMSG and SPIN. See “\*MODIFY or \*F job class characteristics” on page 13.
- MODIFY,J - New parameters MSG and SPIN. New note about F J=log. See “\*MODIFY or \*F JES3 jobs” on page 15.

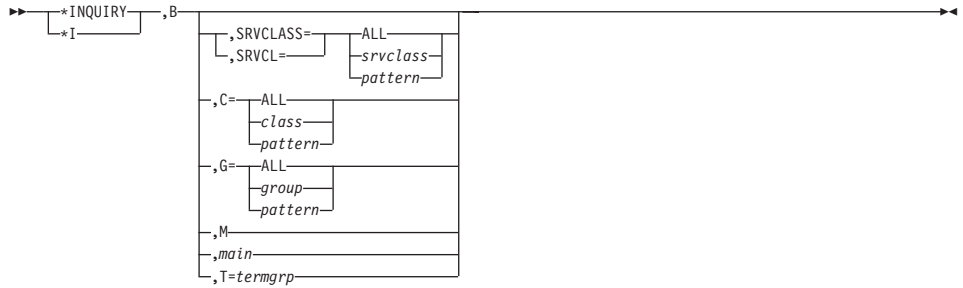
This document contains terminology, maintenance, and editorial changes, including changes to improve consistency and retrievability.



## \*INQUIRY or \*I active jobs



## \*INQUIRY or \*I backlog jobs



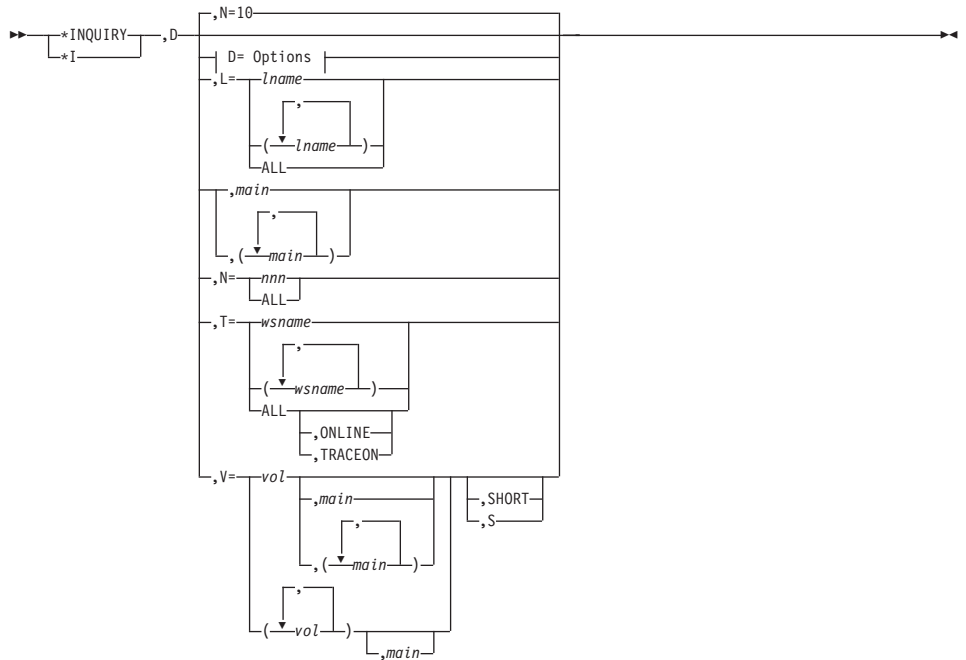
## \*INQUIRY or \*I buffer pools



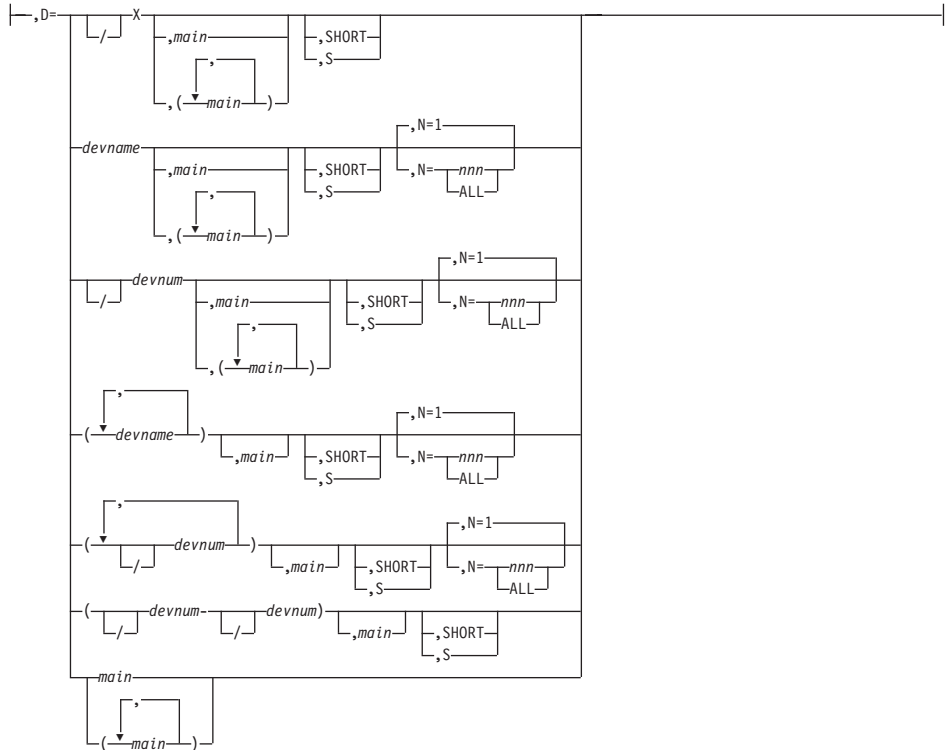
## \*INQUIRY or \*I job classes



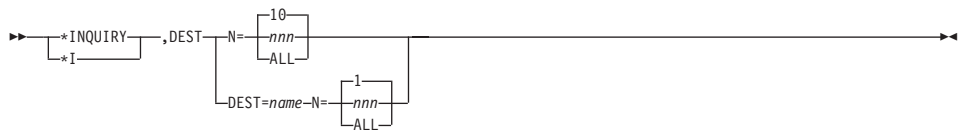
## \*INQUIRY or \*I displaying RJP status and device status



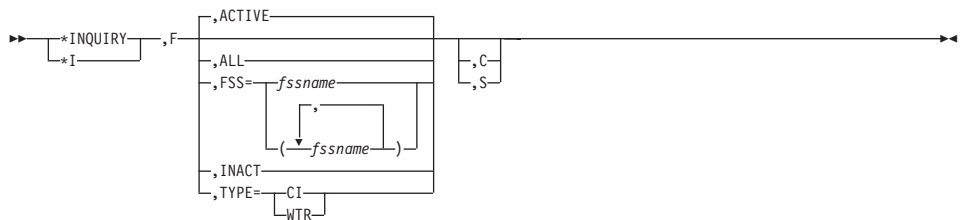
**D= Options:**



### \*INQUIRY or \*I,DEST displaying defined destinations for inbound NJE SYSOUT

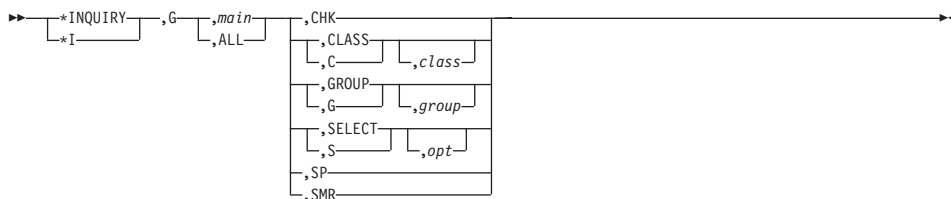


### \*INQUIRY or \*I FSSs

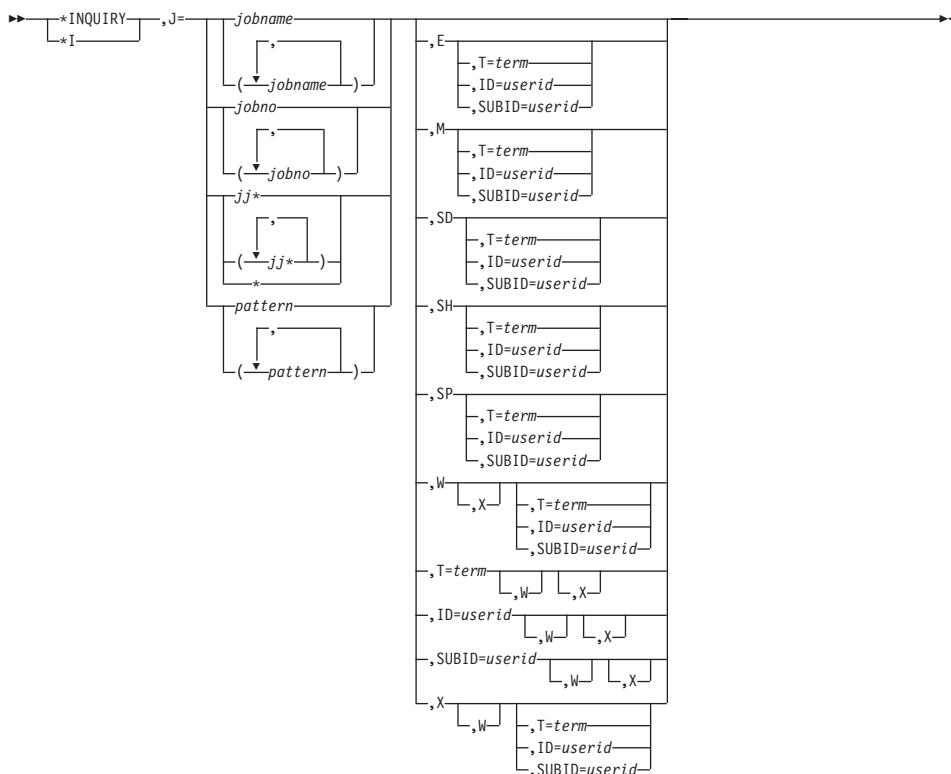




## \*INQUIRY or \*I GMS



## \*INQUIRY or \*I JES3 jobs



## \*INQUIRY or \*I deadline



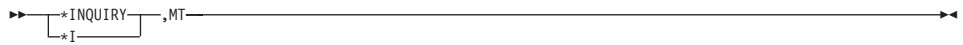
---

## \*INQUIRY or \*I MCS routing codes



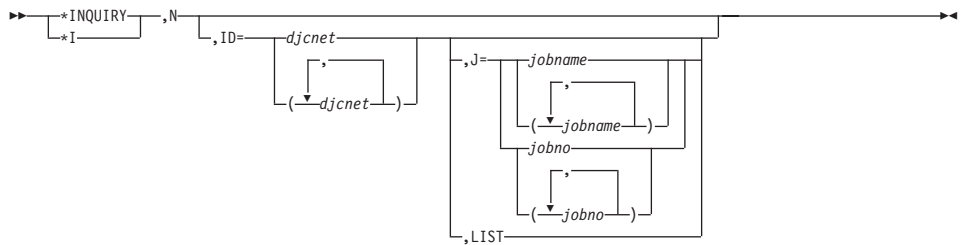
---

## \*INQUIRY or \*I writer output multitasking



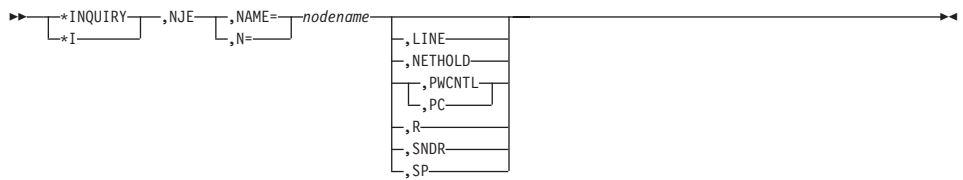
---

## \*INQUIRY or \*I DJC networks



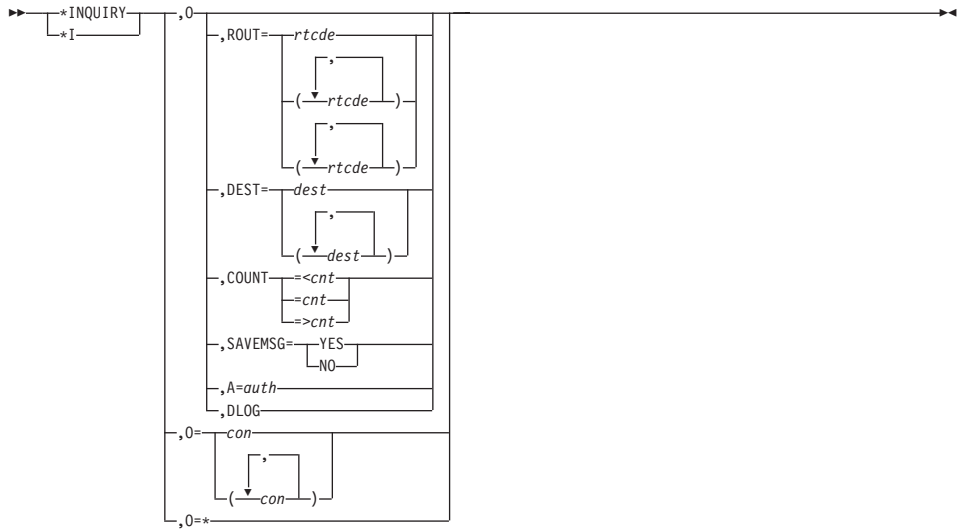
---

## \*INQUIRY or \*I JES3 networking

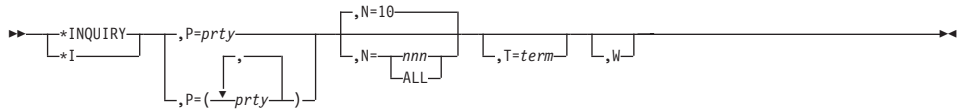


---

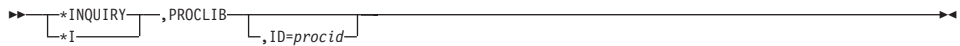
## \*INQUIRY or \*I RJP consoles



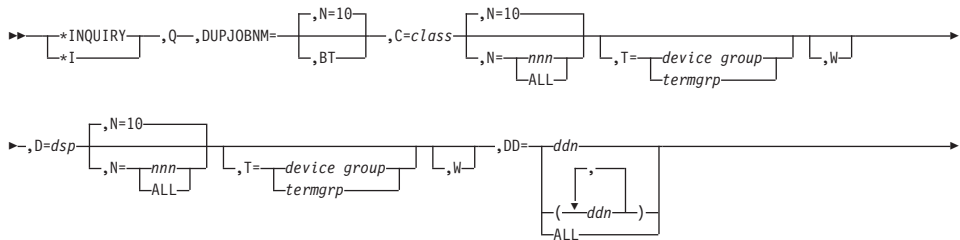
### \*INQUIRY or \*I priorities

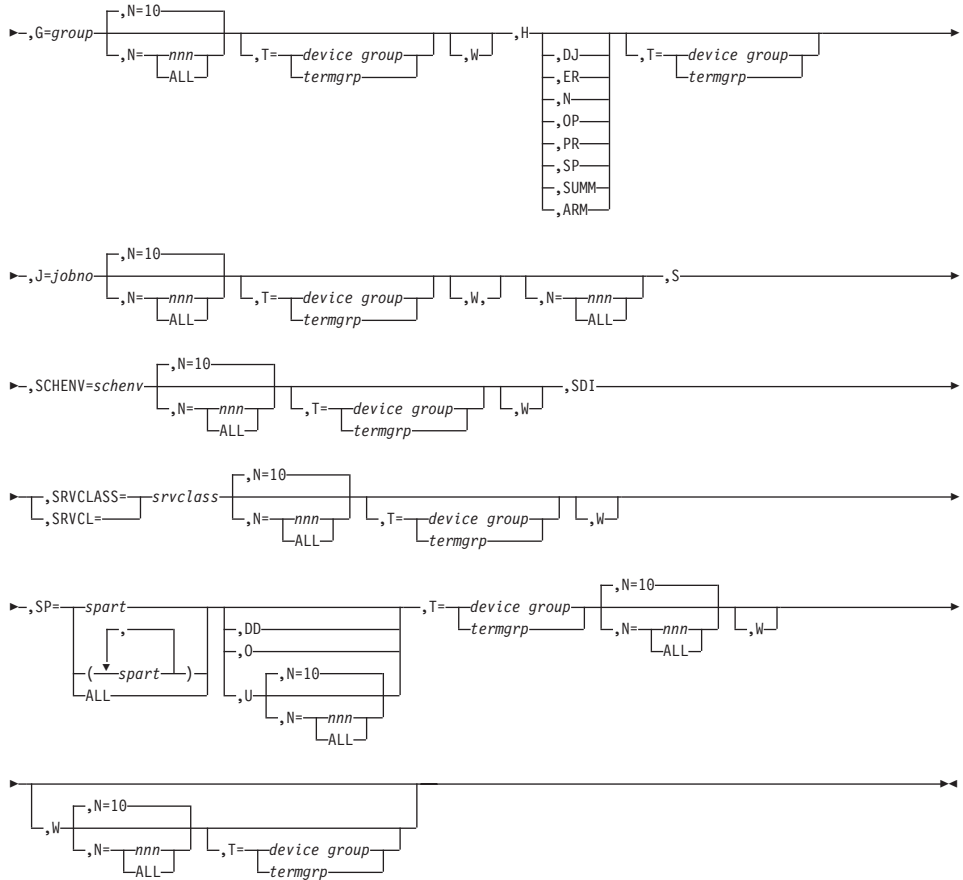


### \*INQUIRY or \*I procedure libraries



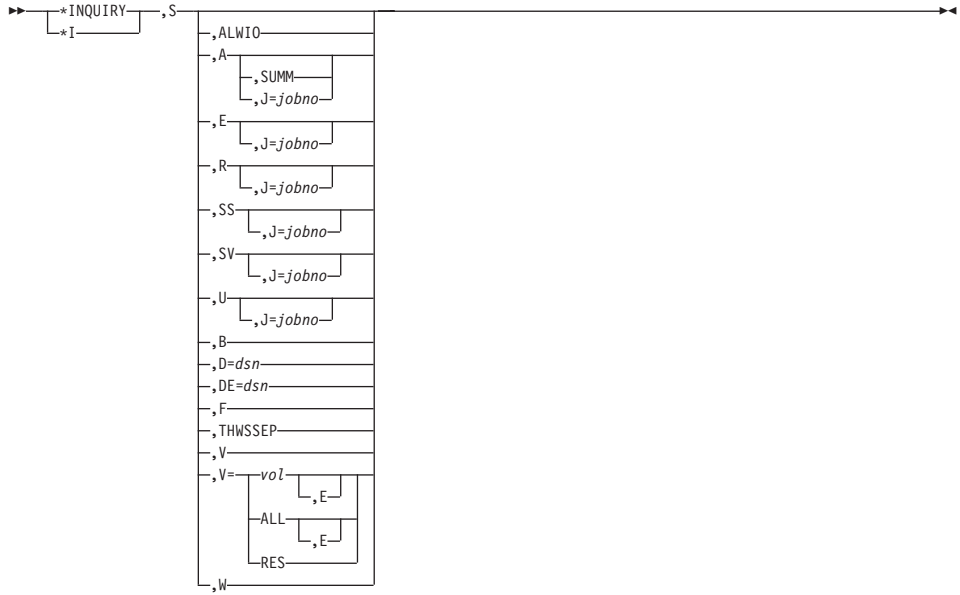
### \*INQUIRY or \*I job queue status



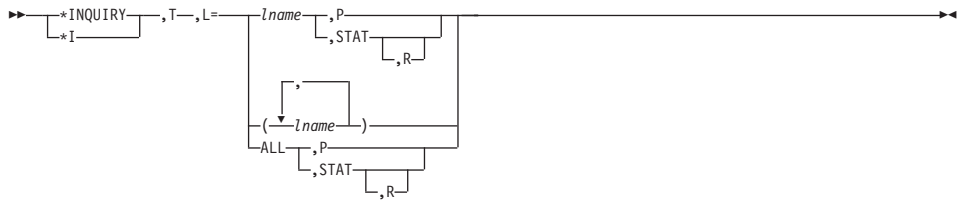



---

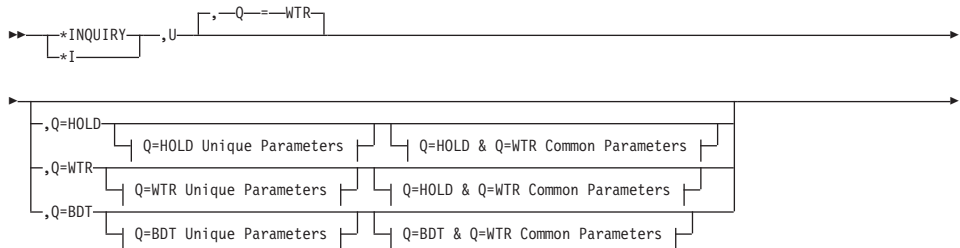
**\*INQUIRY or \*I MDS setup**

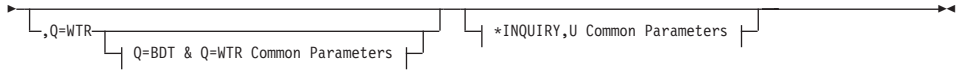


**\*INQUIRY or \*I BSC RJP lines**



**\*INQUIRY or \*I U for Q=BDT, Q=HOLD, or Q=WTR**





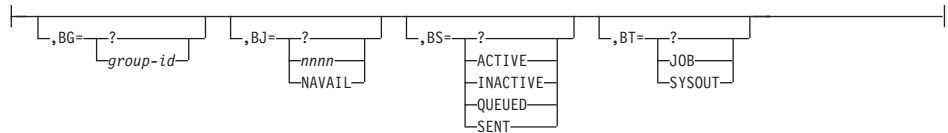
**Q=HOLD Unique Parameters:**



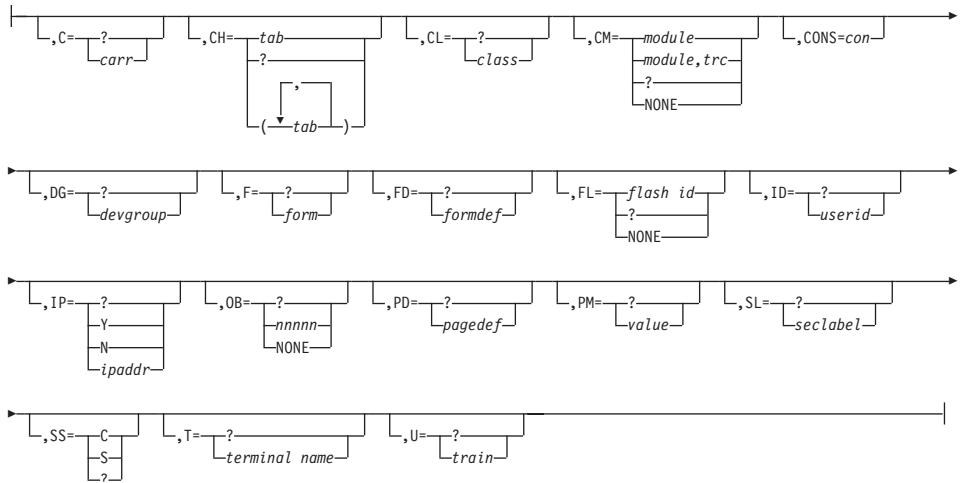
**Q=WTR Unique Parameters:**



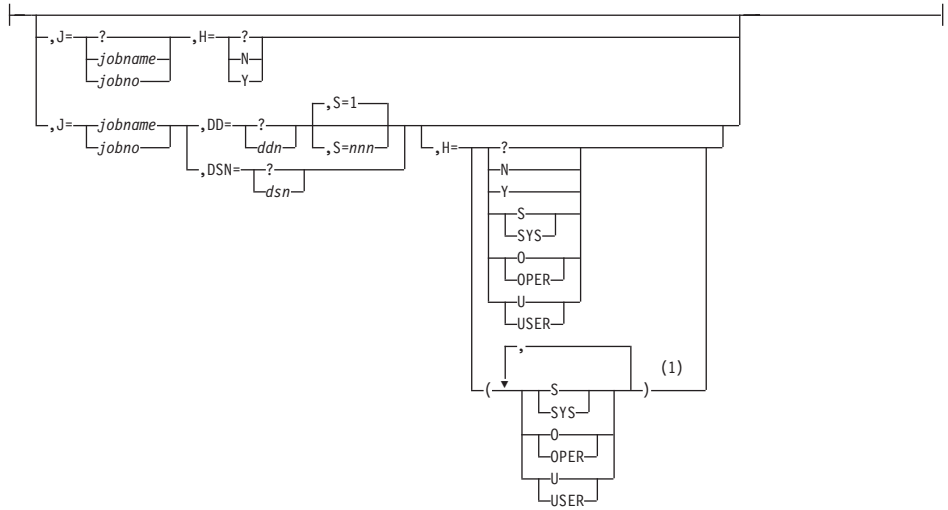
**Q=BDT Unique Parameters:**



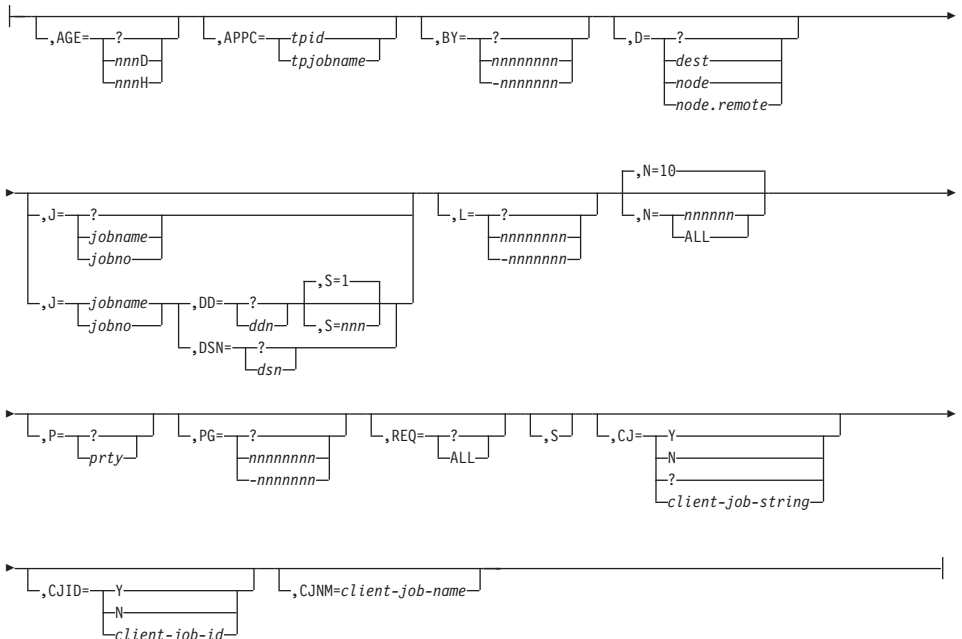
**Q=HOLD & Q=WTR Common Parameters:**



**Q=BDT & Q=WTR Common Parameters:**



**\*INQUIRY,U Common Parameters:**

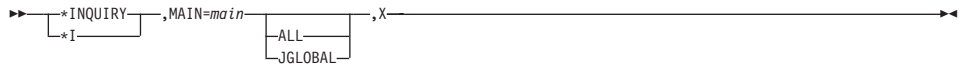


**Notes:**

- 1 Do not repeat a specific parameter within these parentheses. For example, you can code all three parameters separated by commas (S,O,U) or any combination of two of the parameters separated by a comma (S,O) or (S,U), or (O,U).

---

### \*INQUIRY or \*I MAIN



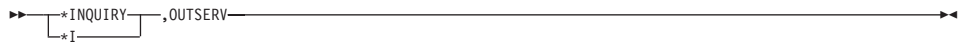
---

### \*INQUIRY or \*I OPTIONS



---

### \*INQUIRY or \*I OUTSERV



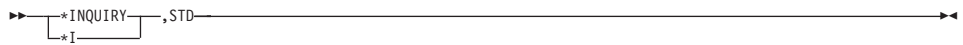
---

### \*INQUIRY or \*I SC



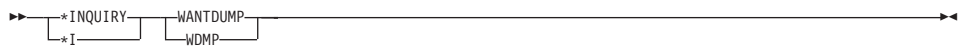
---

### \*INQUIRY or \*I STD



---

### \*INQUIRY or \*I WANTDUMP



---

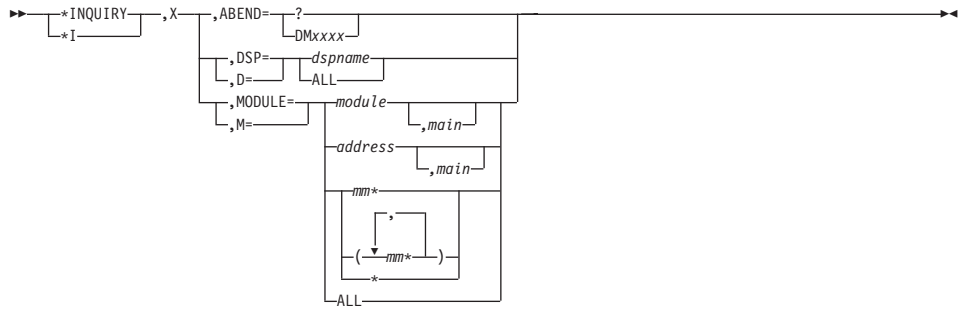
### \*INQUIRY WTO, pace monitoring





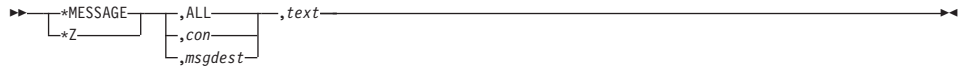
---

### \*INQUIRY or \*I DSP and module use counts



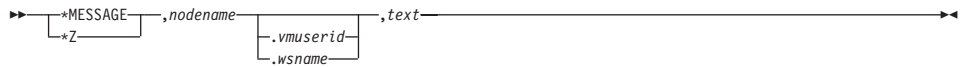

---

### \*MESSAGE,dest or \*Z



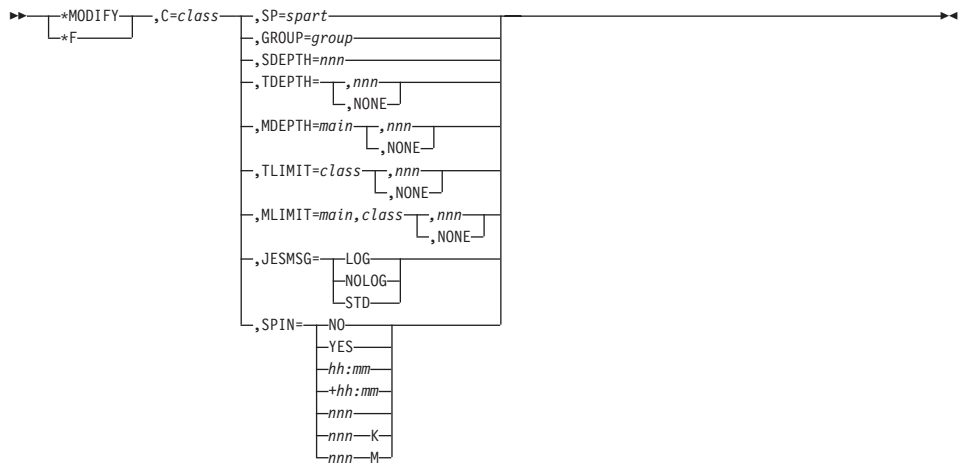

---

### \*MESSAGE or \*Z



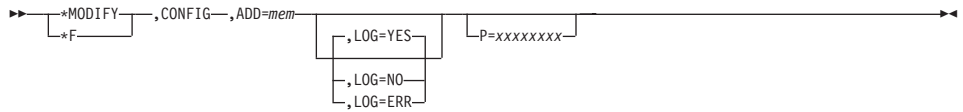

---

### \*MODIFY or \*F job class characteristics



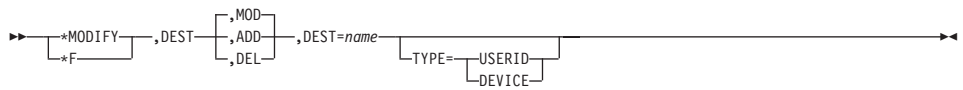
---

## \*MODIFY or \*F configuration



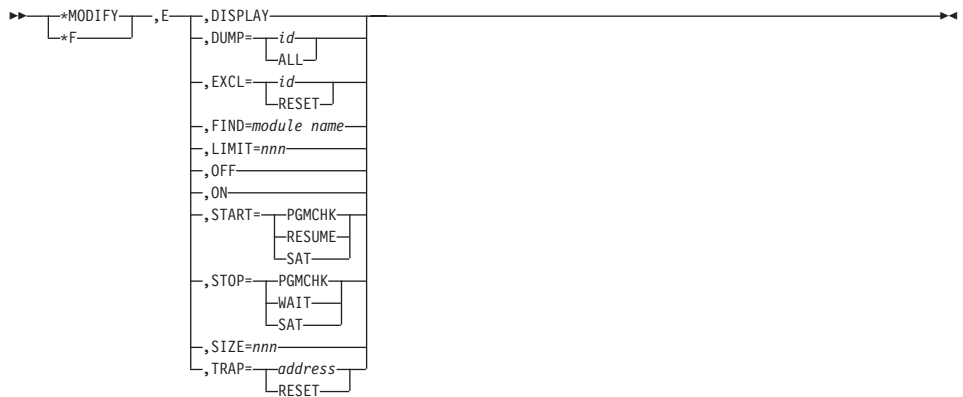
---

## \*MODIFY or \*F, DEST changing defined destinations for inbound NJE SYSOUT



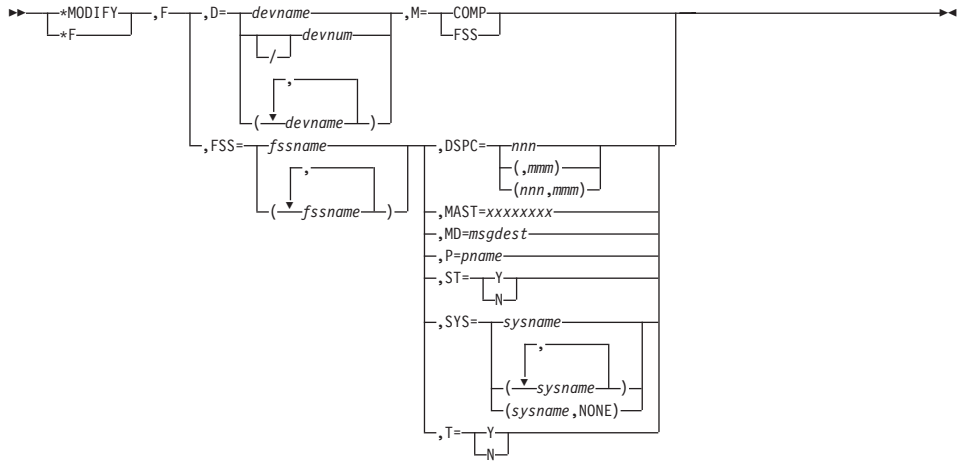
---

## \*MODIFY or \*F event tracing

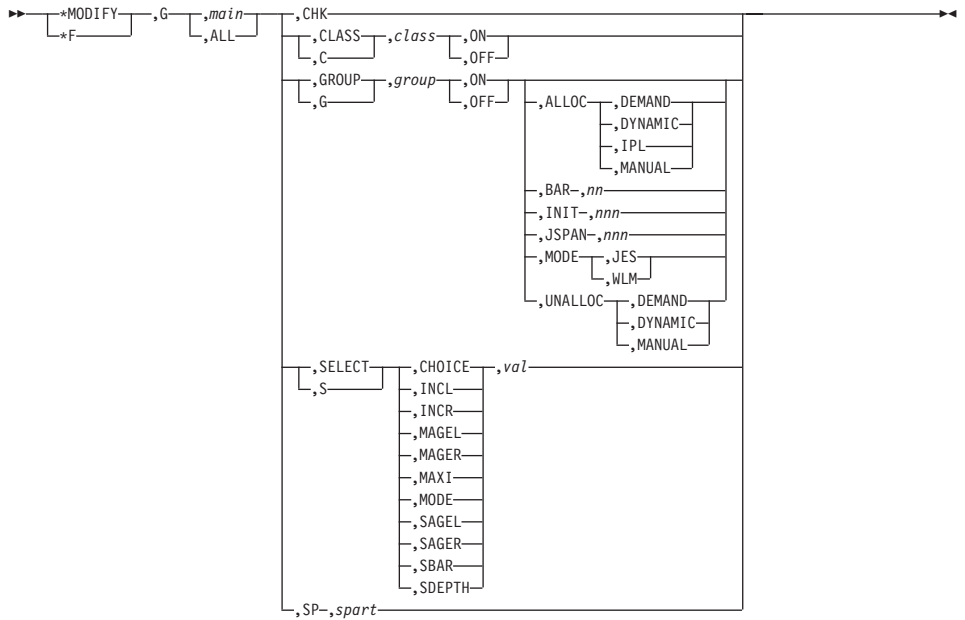


---

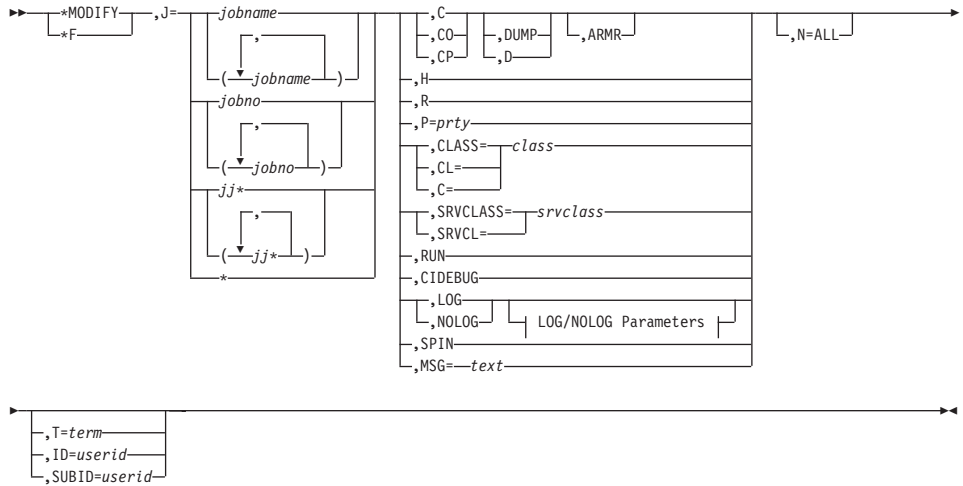
## \*MODIFY or \*F FSSs



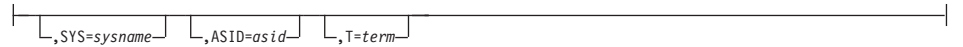
**\*MODIFY or \*G GMS**



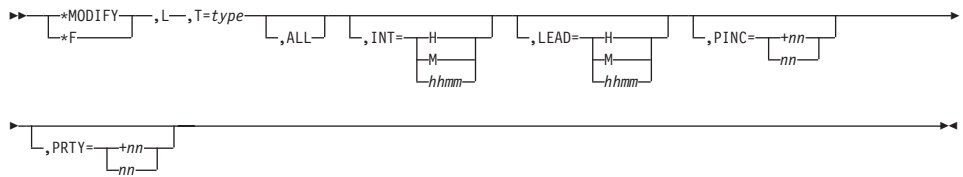
**\*MODIFY or \*F JES3 jobs**



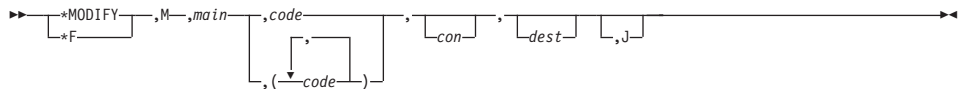
**LOG/NOLOG Parameters:**



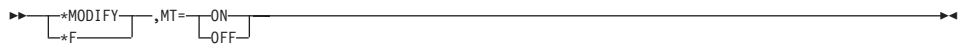
**\*MODIFY or \*F deadline scheduling**



**\*MODIFY or \*F MCS routing codes**

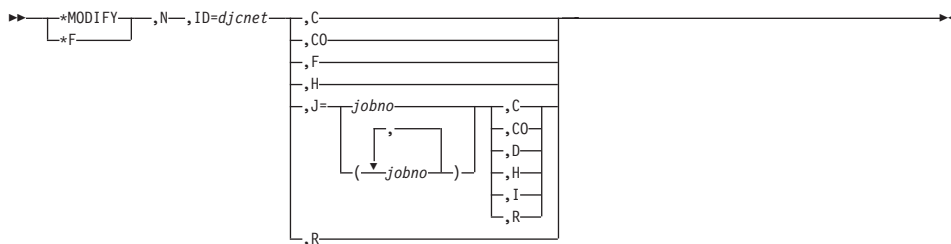


**\*MODIFY or \*F writer output multitasking**



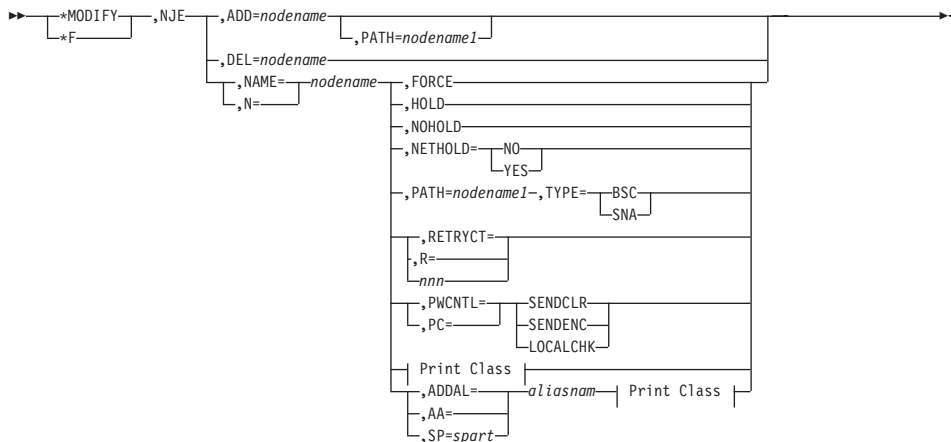
---

## \*MODIFY or \*F DJC network




---

## \*MODIFY or \*F JES networking

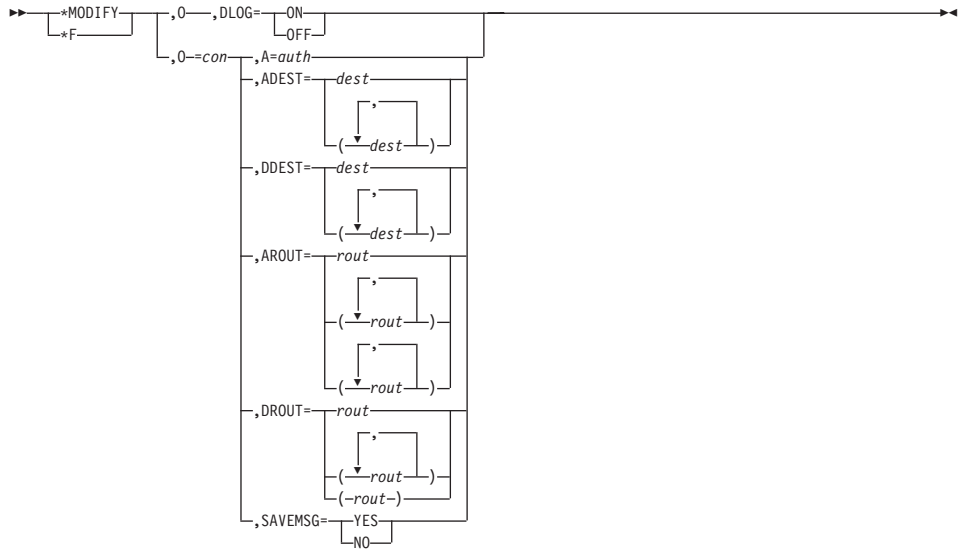


### Print Class:

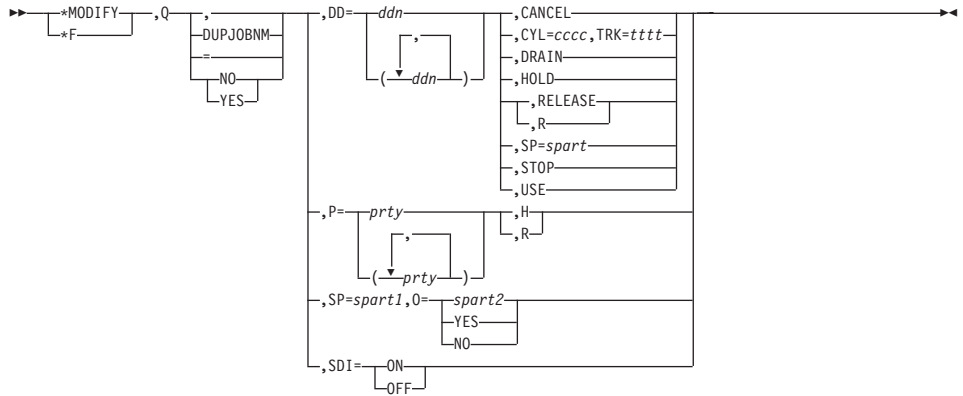



---

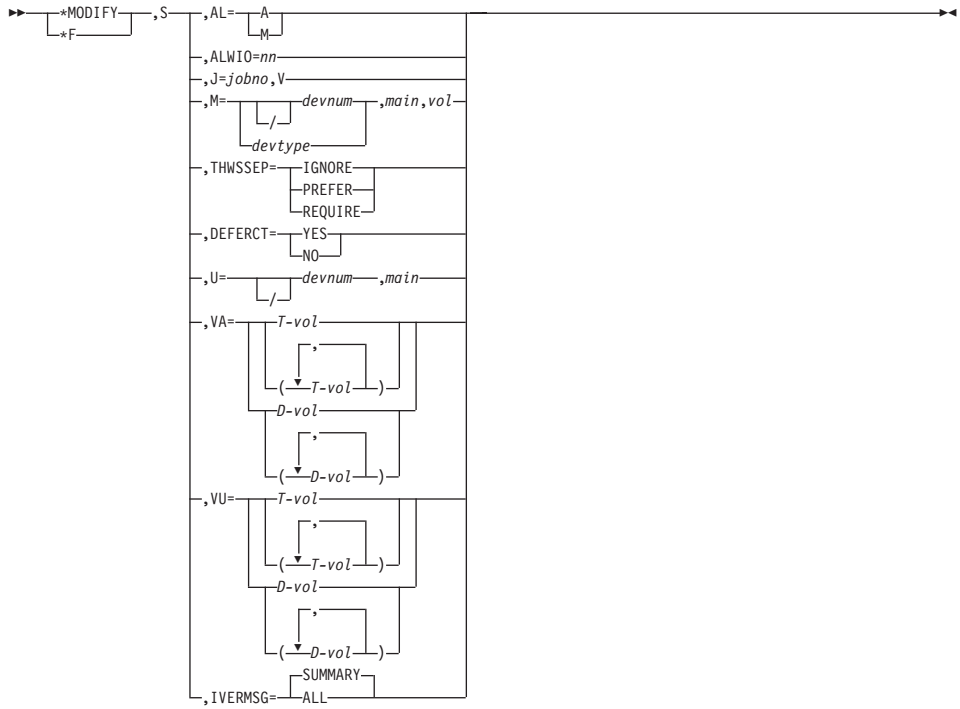
## \*MODIFY or \*F RJP consoles



### \*MODIFY or \*F job queue pool data sets

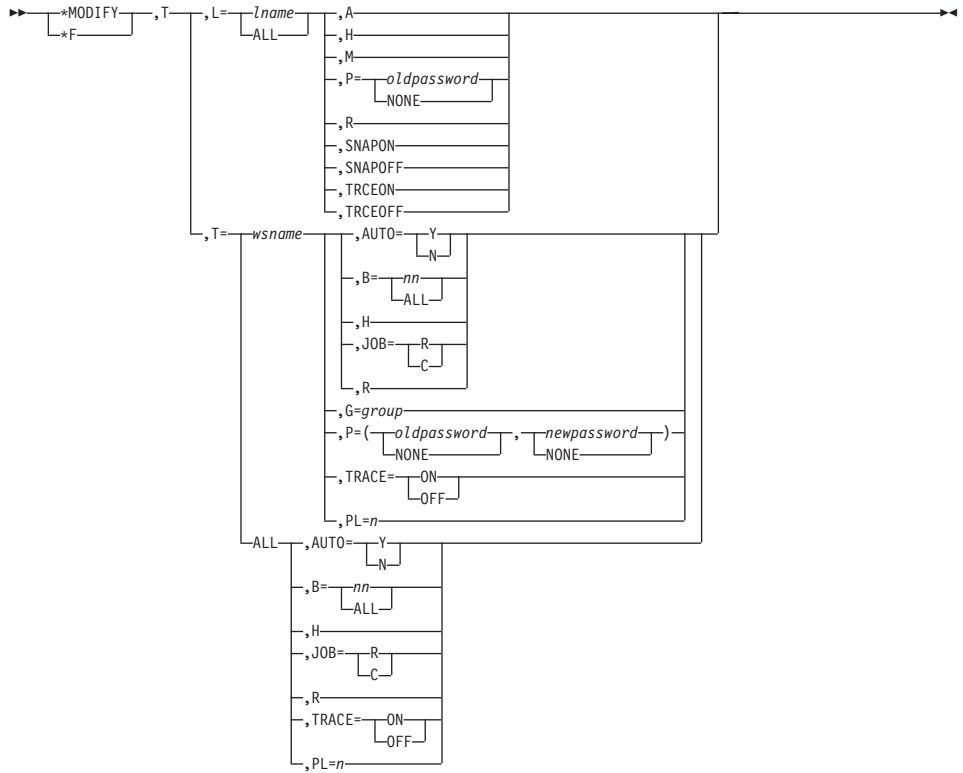


### \*MODIFY or \*F MDS setup

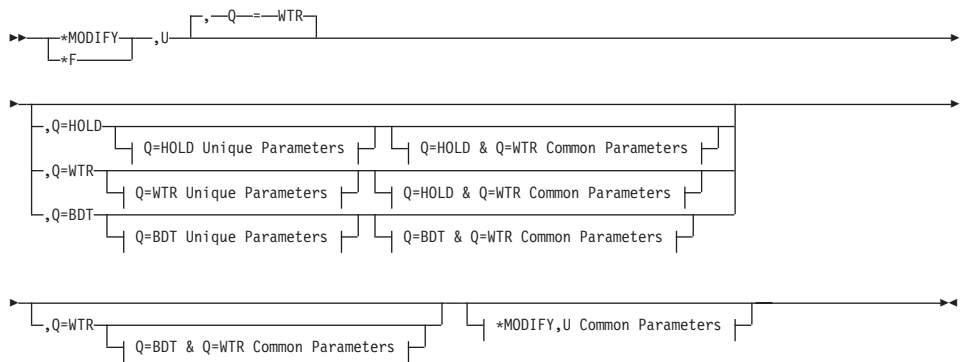



---

**\*MODIFY or \*F BSC ro SNA RJP workstations**

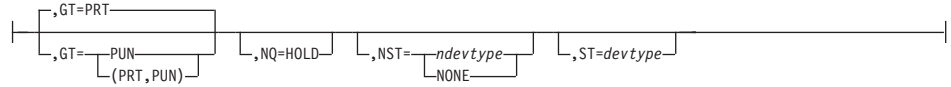


## \*MODIFY or \*F U for Q=BDT, Q=HOLD, or Q=WTR

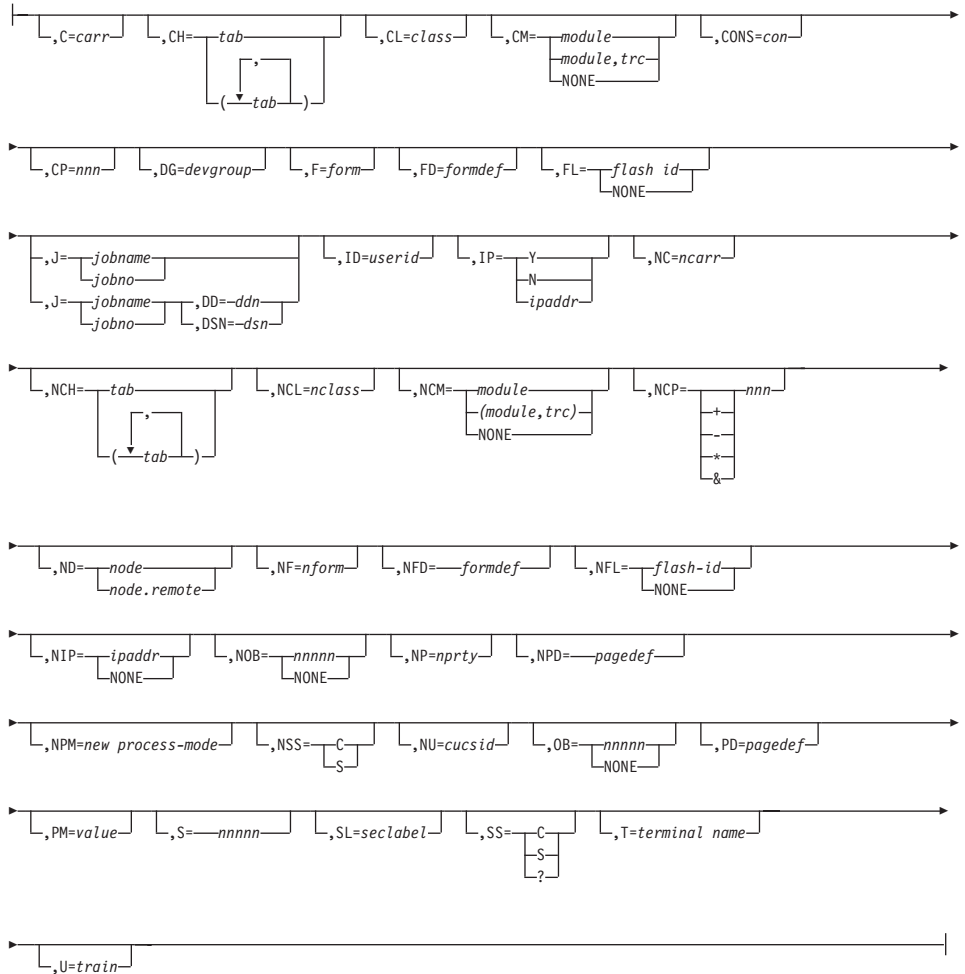




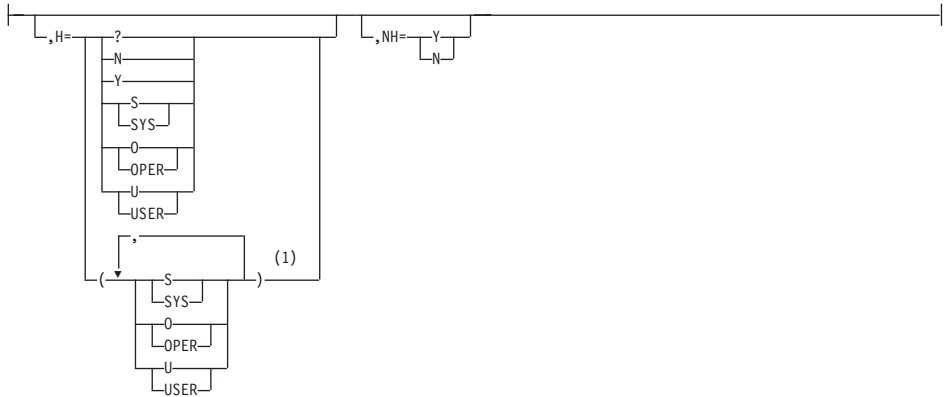
### Q=WTR Unique Parameters:



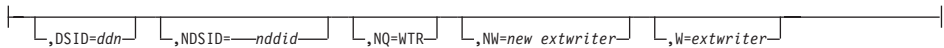
### Q=HOLD & Q=WTR Common Parameters:



### Q=BDT & Q=WTR Common Parameters:



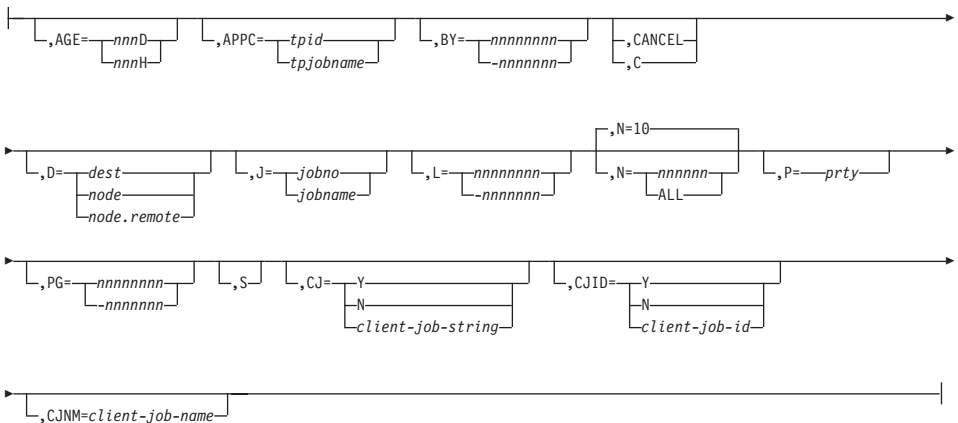
**Q=HOLD Unique Parameters:**



**Q=BDT Unique Parameters:**



**\*MODIFY,U Common Parameters:**



**Notes:**

- 1 Do not repeat a specific parameter within these parentheses. For example, you can code all three parameters separated by commas (S,O,U) or any combination of two of the parameters separated by a comma (S,O) or (S,U), or (O,U).

---

## \*MODIFY or \*F vary function

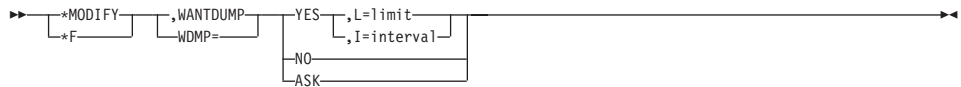


### Notes:

- 1 Use the parameters for `*VARY` command "`*VARY` or `*V`" on page 27

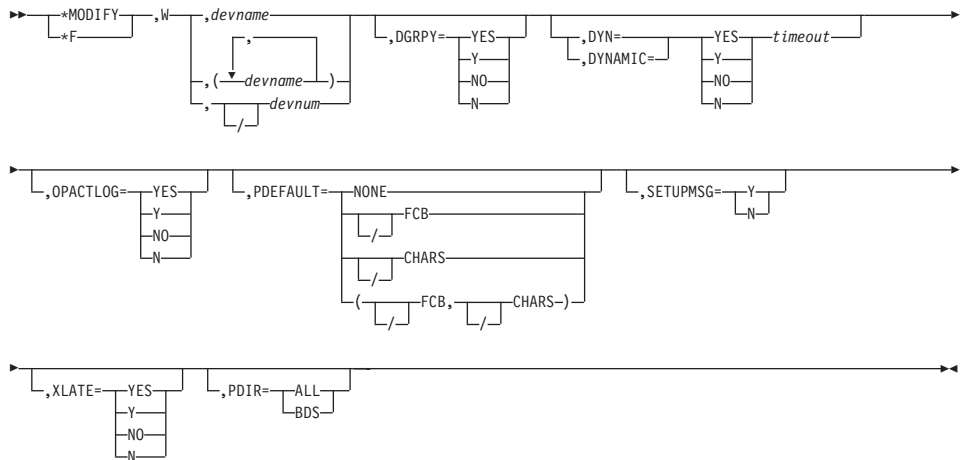
---

## \*MODIFY or \*F WANTDUMP



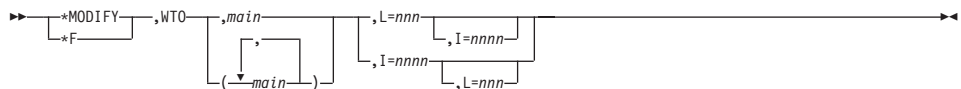

---

## \*MODIFY or \*F modify writer function



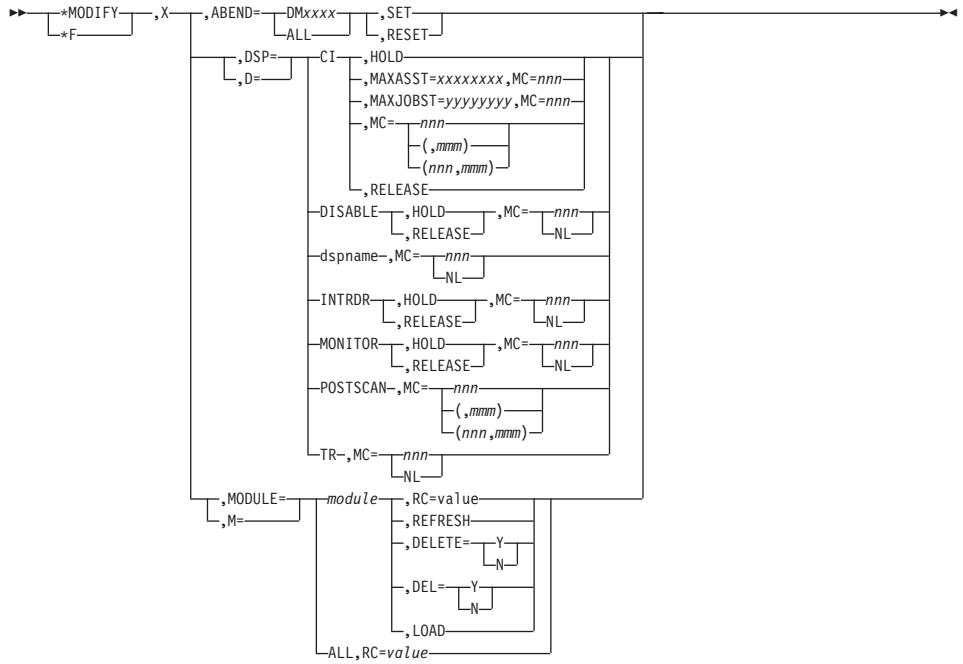

---

## \*MODIFY or \*F WTO, pace monitoring



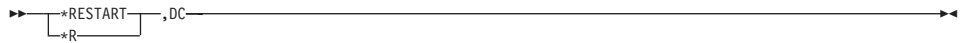

---

## \*MODIFY or \*F DSP and module usage




---

### \*RESTART or \*R,DC



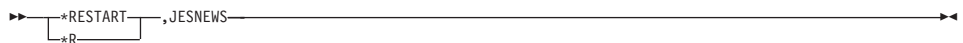

---

### \*RESTART or \*R,devname




---

### \*RESTART or \*R,JESNEWS



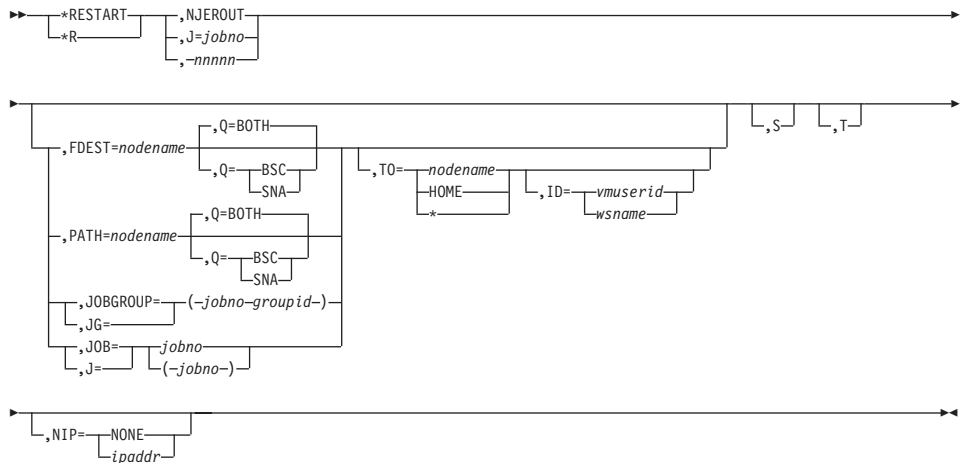
---

## \*RESTART or \*R,main



---

## \*RESTART or \*R,NJEROUT



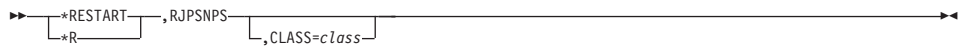
---

## \*RESTART or \*R,RJP



---

## \*RESTART or \*R,RJPSNPS



---

## \*RESTART or \*R,SETUP



---

## \*RESTART or \*R,SNARJP



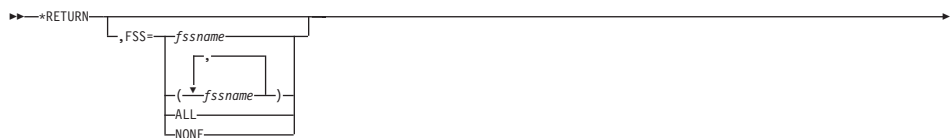
---

## \*RETURN

### Local Syntax



### Global Syntax



---

## \*SEND,nodename



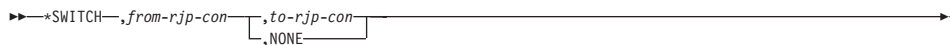
---

## \*START or \*S



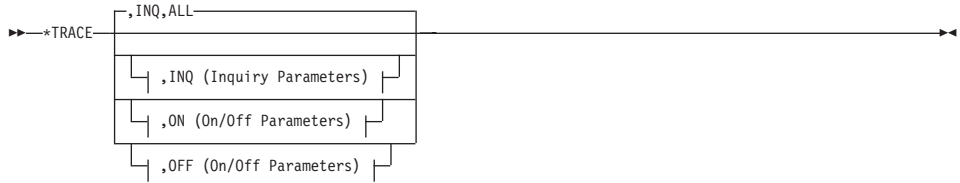
---

## \*SWITCH



---

## \*TRACE



### Inquiry Parameters:

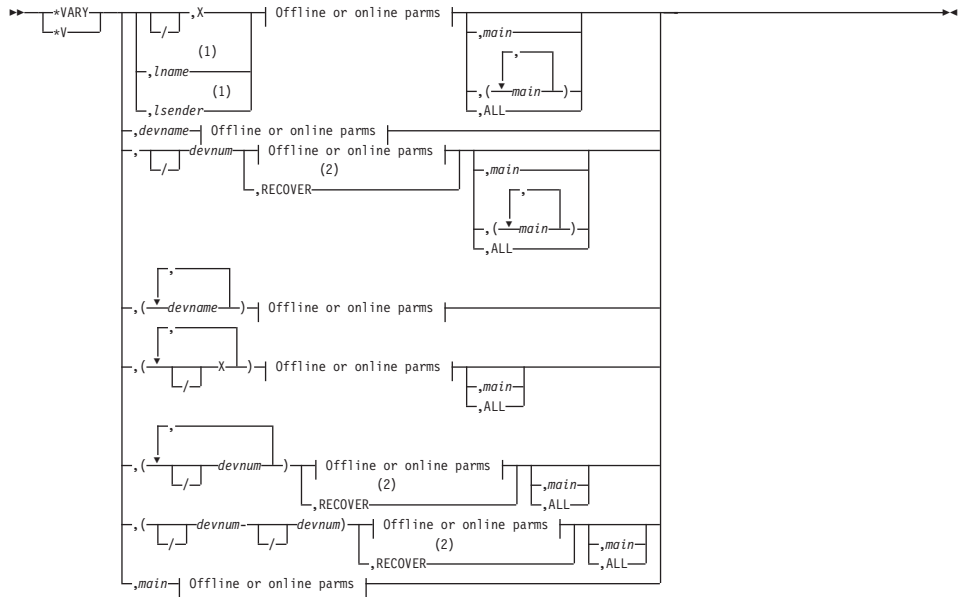


### On/Off Parameters:




---

**\*VARY or \*V**



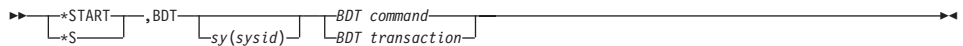
### Offline or online parms:



### Notes:

- 1 You cannot code *lname* or *lsender* with *main* or ALL.
- 2 You cannot code RECOVER with ALL. You must code *main* one or more times with RECOVER.

## BDT DSP: Sending MVS/BDT commands from a JES3 console

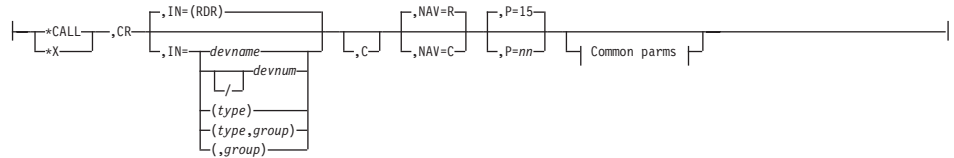


## CR, DR, TR DSPs: input service readers

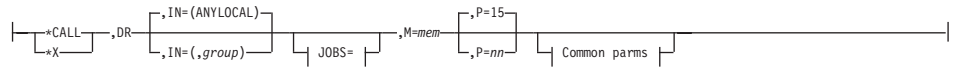




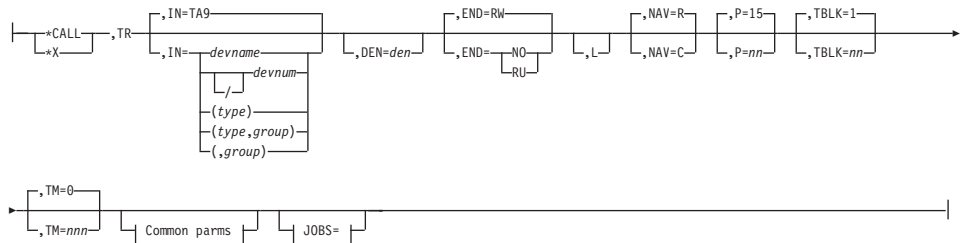
**\*CALL or \*X, CR:**



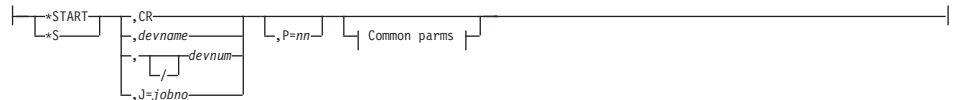
**\*CALL or \*X, DR:**



**\*CALL or \*X, TR:**



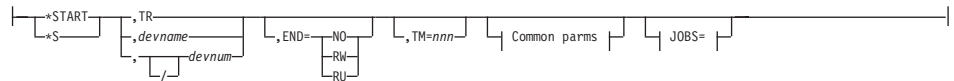
**\*START or \*S, CR:**



**\*START or \*S, DR:**



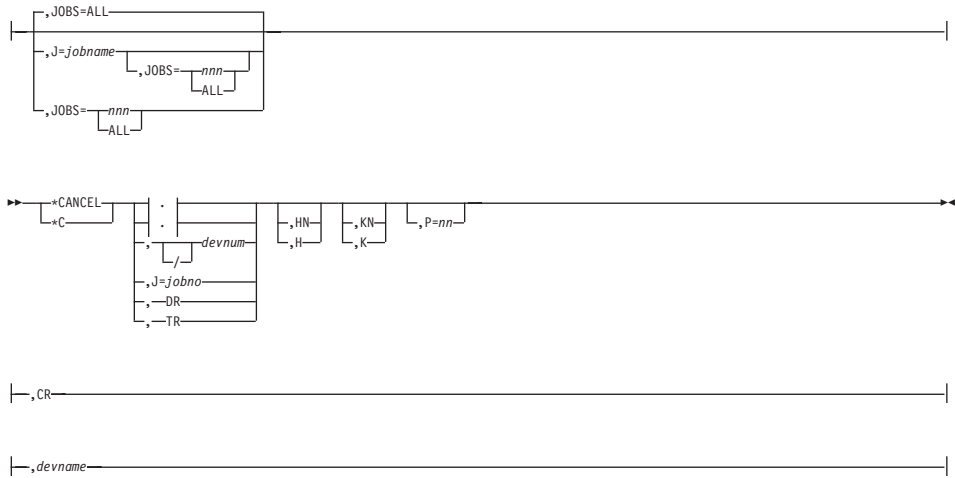
**\*START or \*S, TR:**



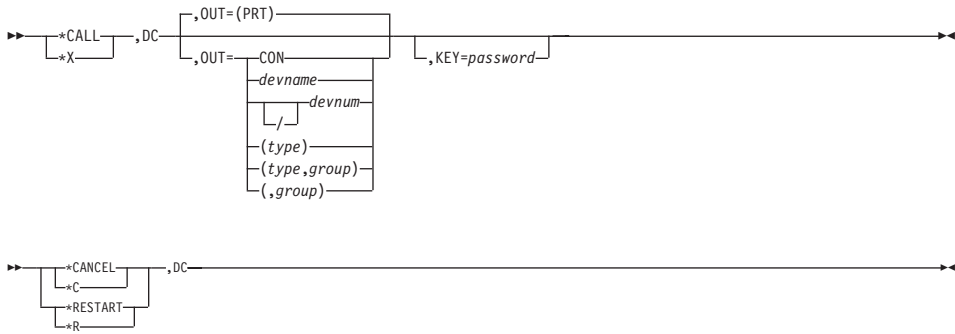
**Common parms:**

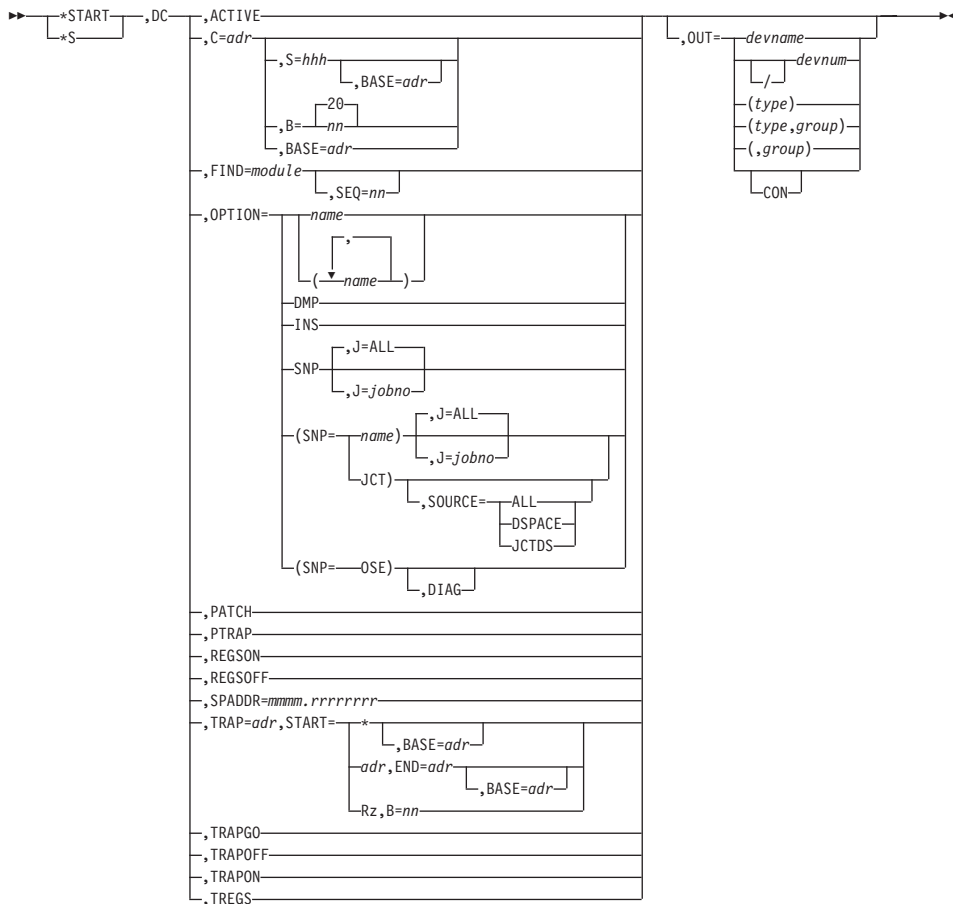


## JOBS=:

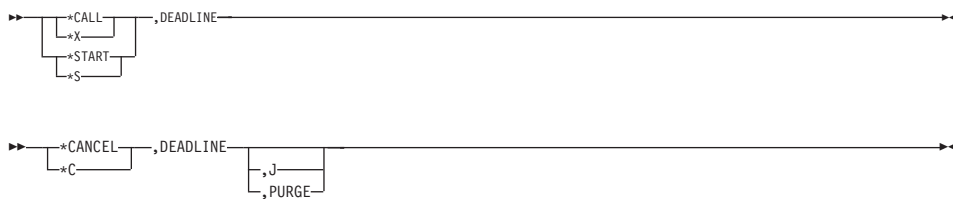


## DC DSP: dump core

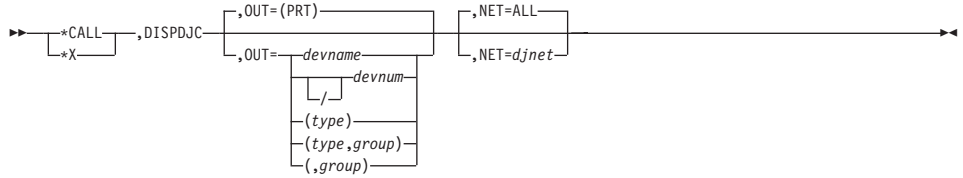




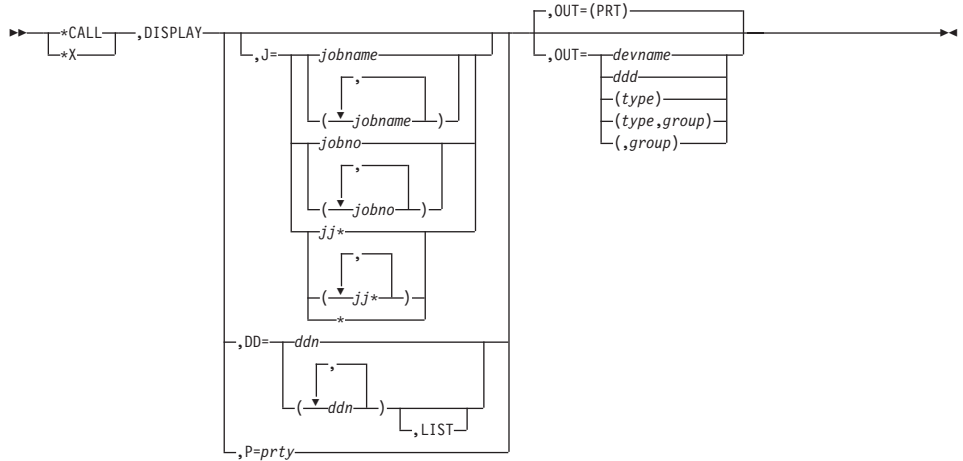
## DEADLINE DSP: deadline scheduling



## DISPDJC DSP: display dependent job control tables

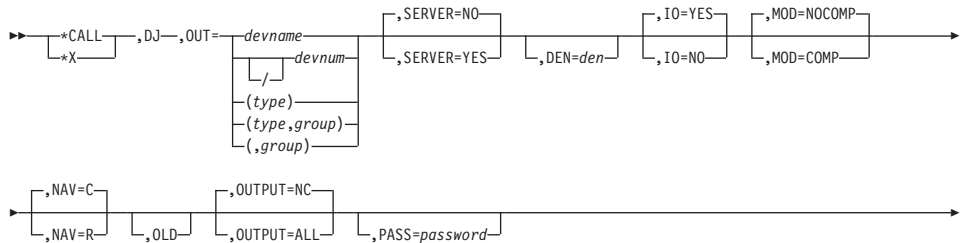


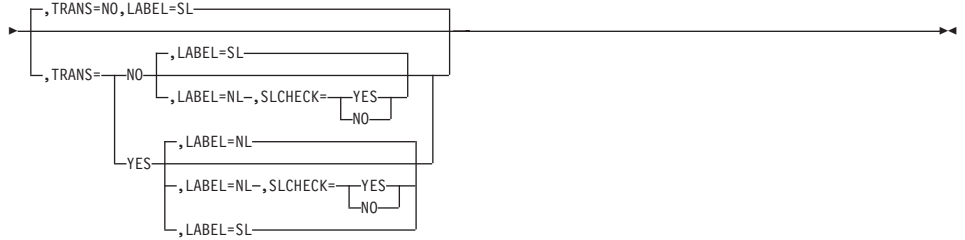
## DISPLAY DSP



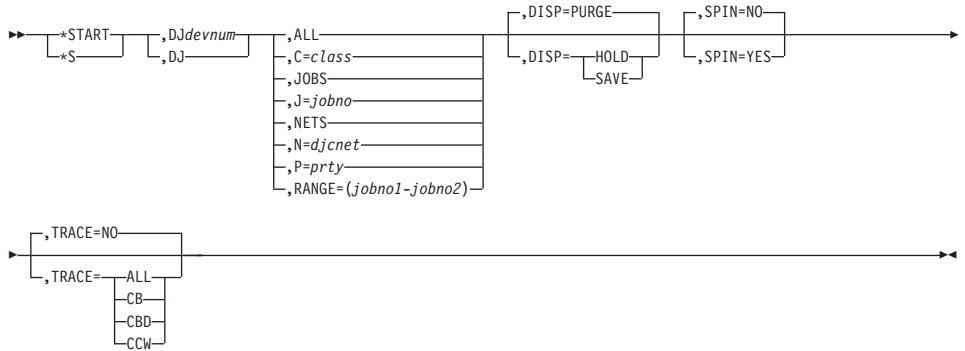
## DJ DSP: dump job

### OUT MODE

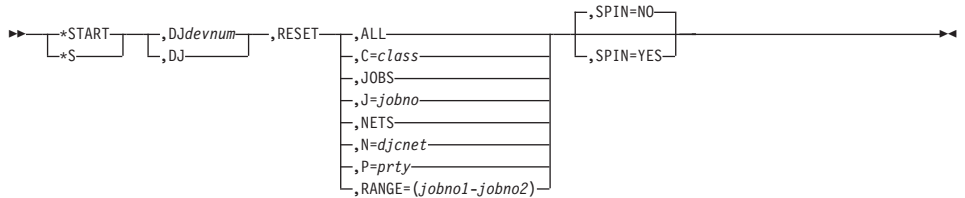




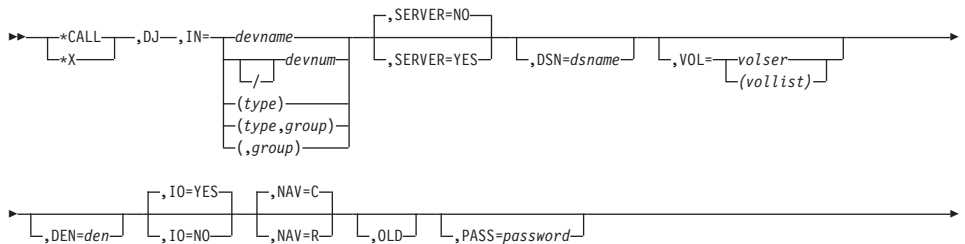
### OUT MODE

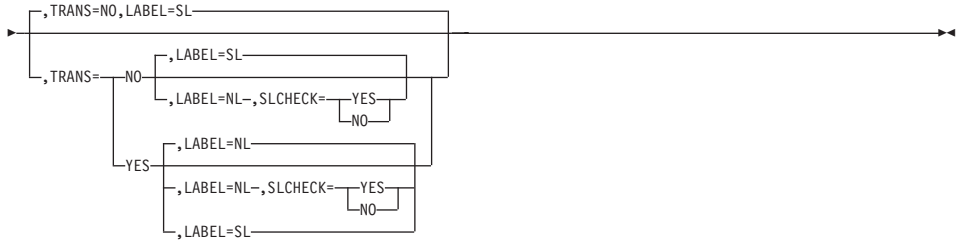


### OUT MODE — Reset DJ Dump Control Flags

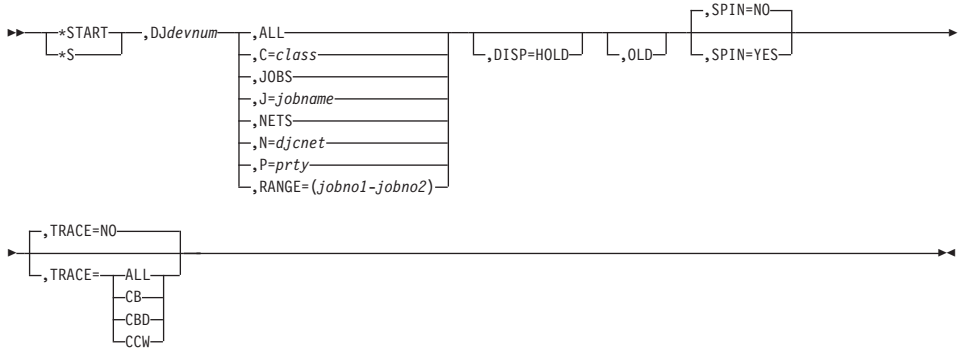


### IN MODE





### IN MODE

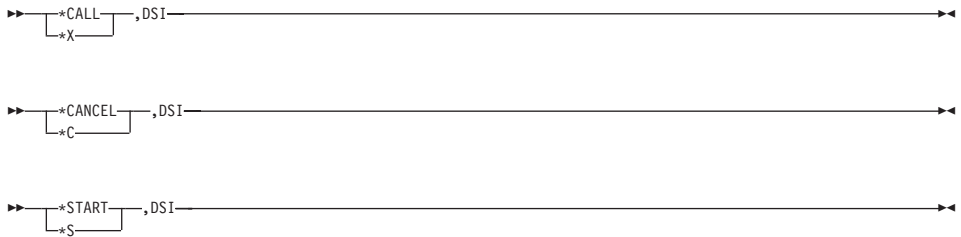


### CANCEL



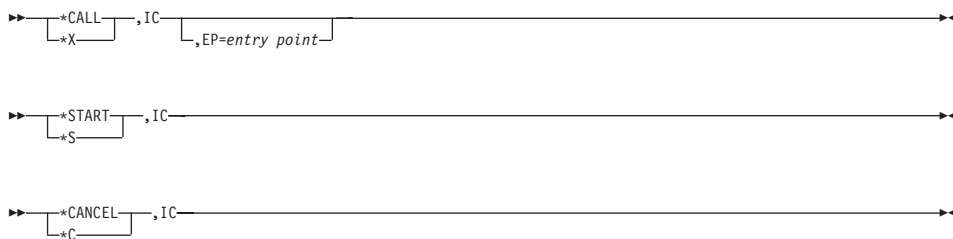

---

## DSI DSP: dynamic system interchange



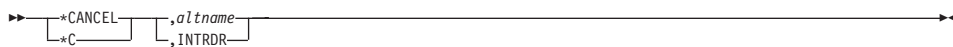
---

## IC DSP: iteration count



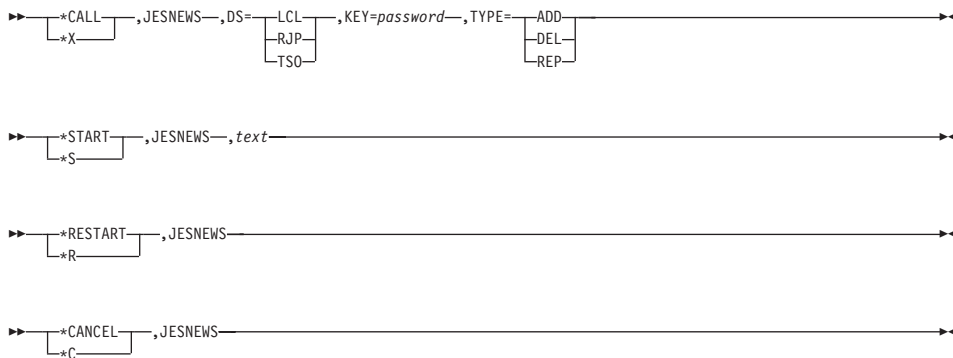

---

## INTRDR DSP: internal reader



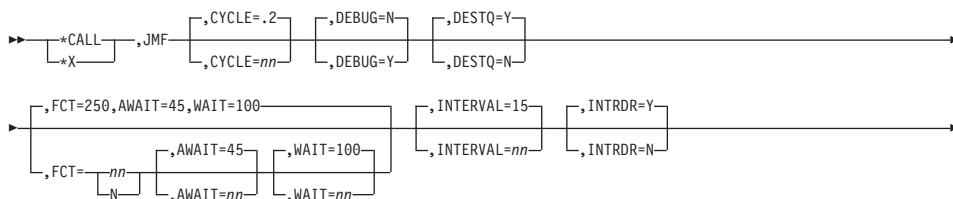

---

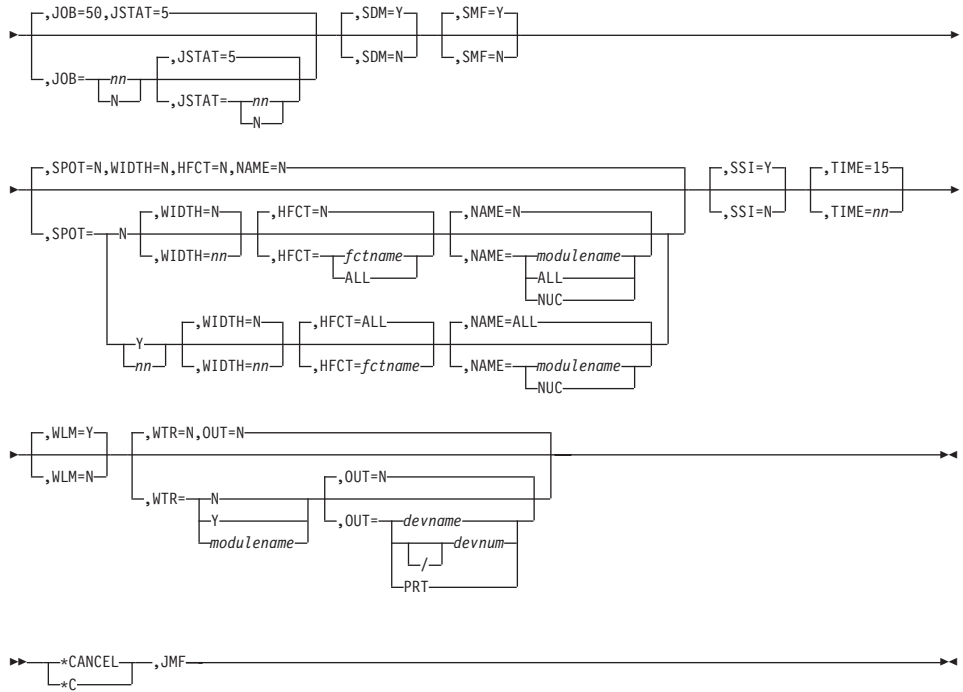
## JESNEWS DSP




---

## JMF DSP: JES3 monitoring facility






---

## JSS



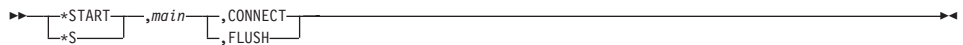

---

## locate processing, cancel a job




---

## MAIN DSP: main service

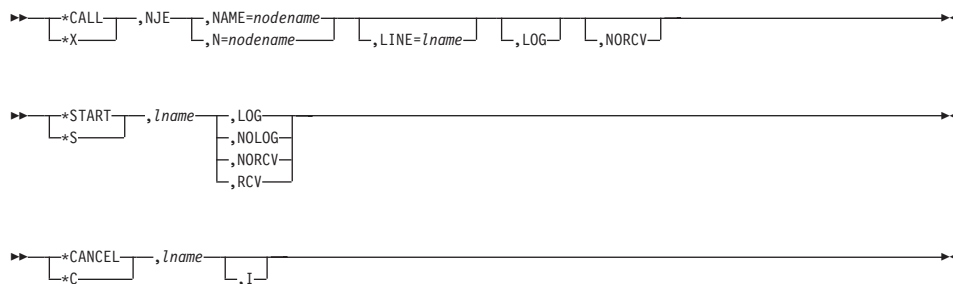






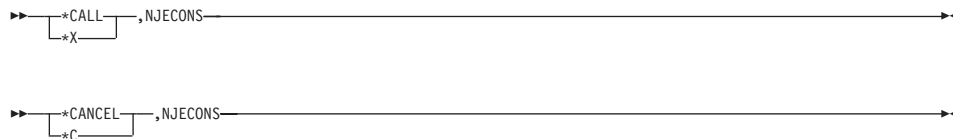
---

## NJE DSP: JES3 networking line manager



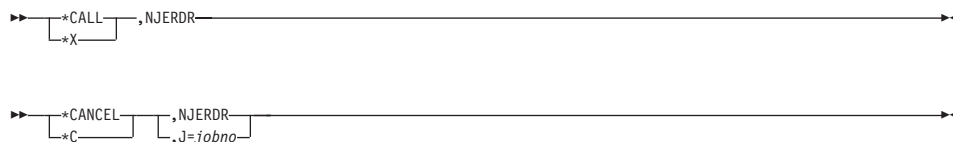
---

## NJECONS DSP: JES3 networking console support



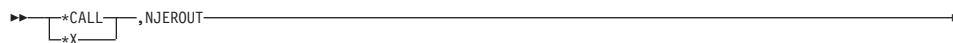
---

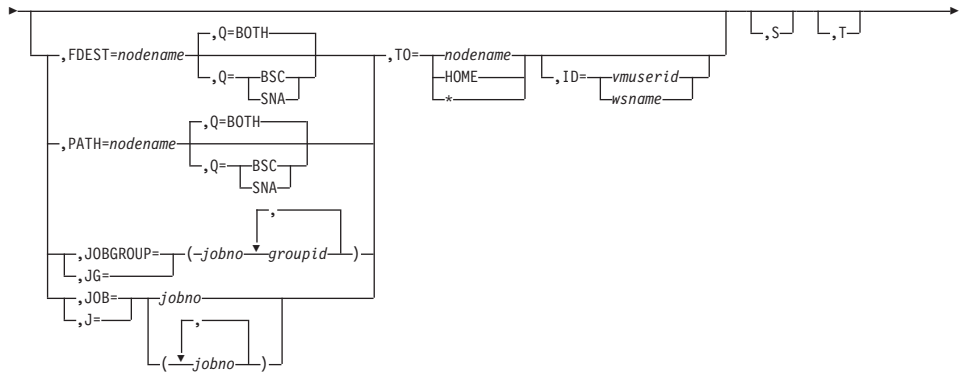
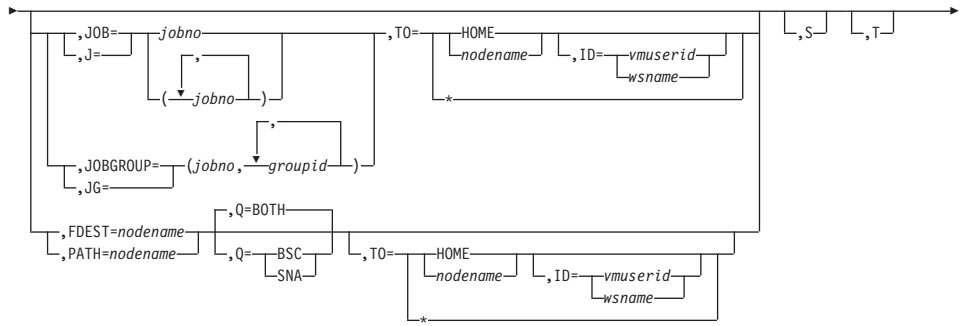
## NJERDR DSP: networking job entry reader

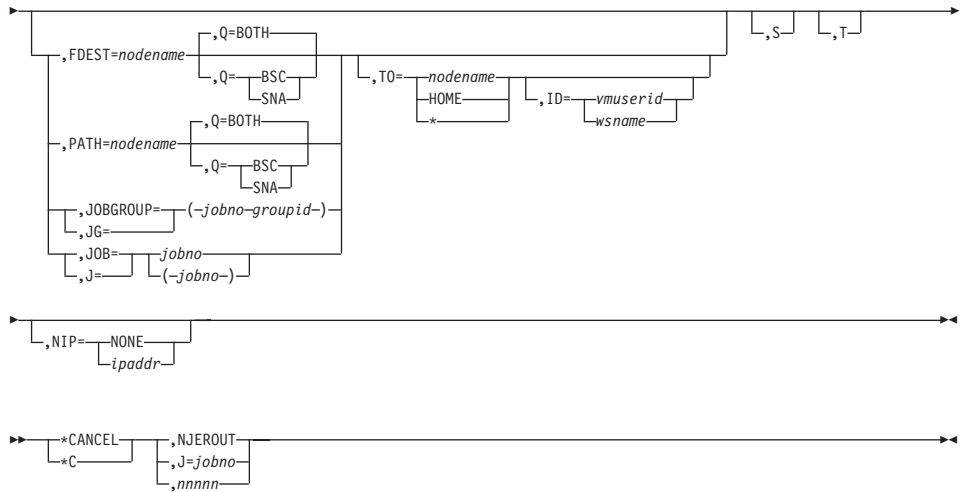


---

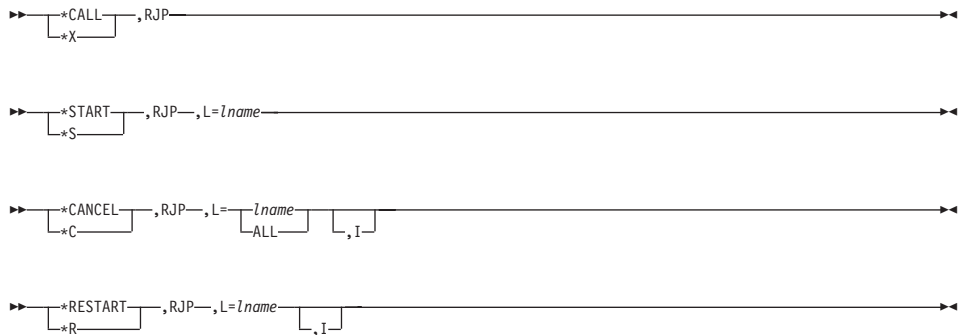
## NJEROUT DSP



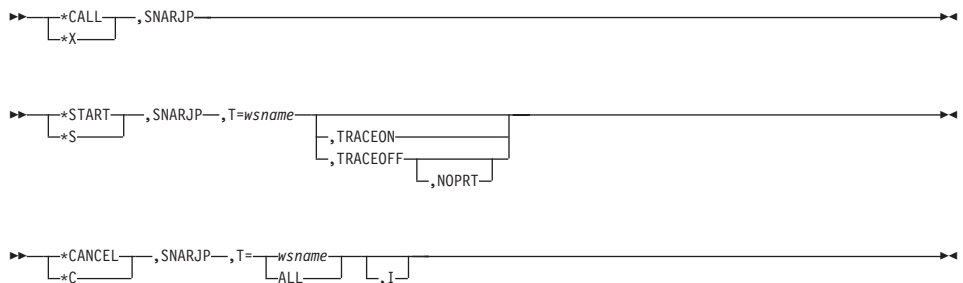




## RJP DSPs: BSC RJP and SNA RJP



## SNA RJP DSP

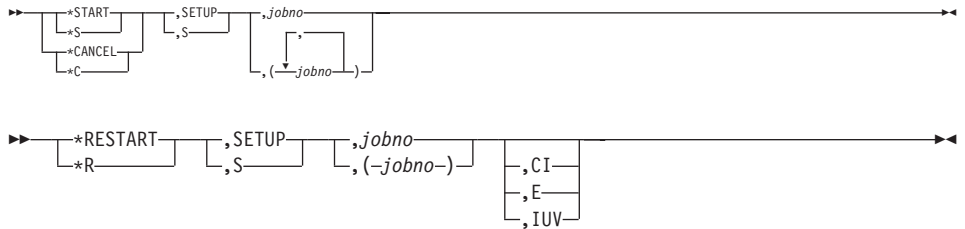




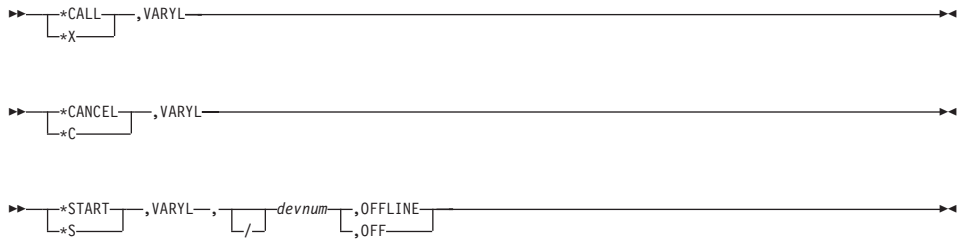
## RJPSNPS DSP: RJP snapshot dumps



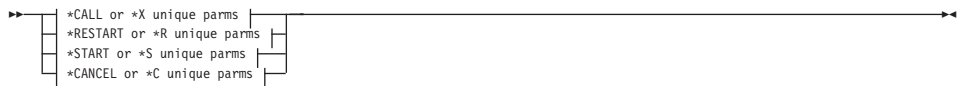
## SETUP DSP: main device scheduler (MDS)



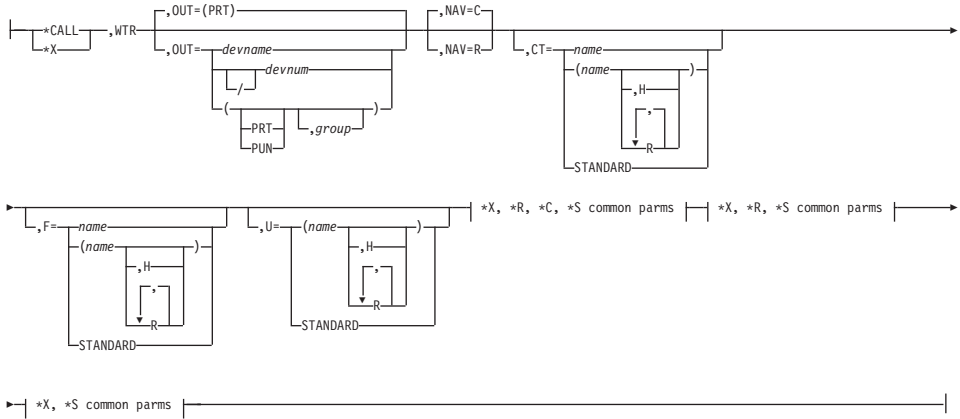
## VARYL DSP



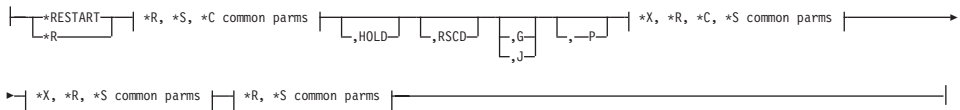
## WTR DSP: output service writer



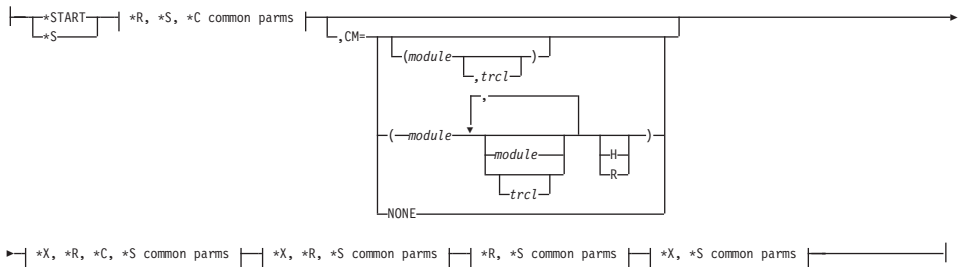
**\*CALL or \*X unique parms:**



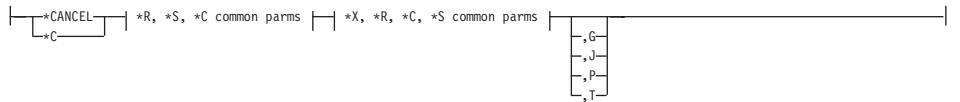
**\*RESTART or \*R unique parms:**



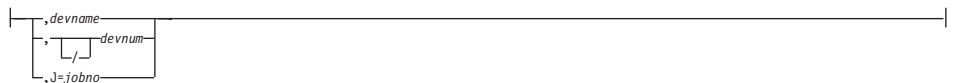
**\*START or \*S unique parms:**



**\*CANCEL or \*C and unique parms:**



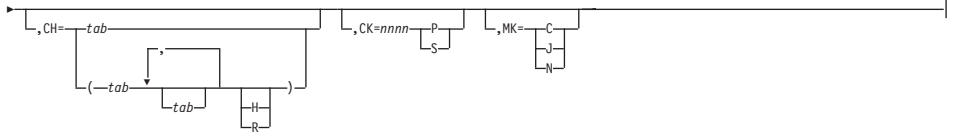
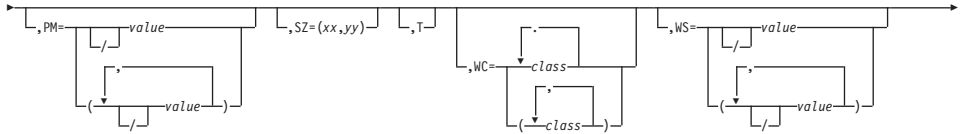
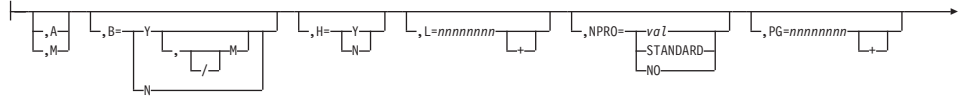
**\*R, \*S, \*C common parms:**



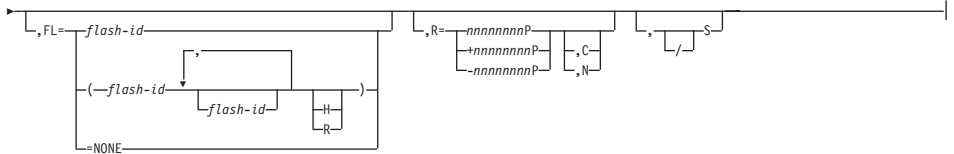
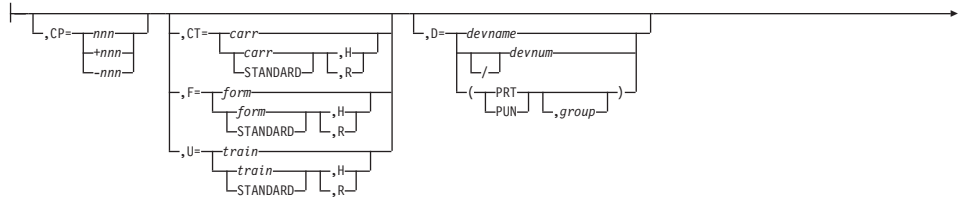
**\*X, \*R, \*C, \*S common parms:**



**\*X, \*R, \*S common parms:**



**\*R, \*S common parms:**



**\*X, \*S common parms:**



---

## Signing on/logging on to an RJP workstation

▶▶ / \*SIGNON ccccc [A] [R] llllllll wwwwww [nnnnnnn]

---

## Signing off of a BSC FJP workstation

▶▶ / \*SIGNOFF

---

## Logging on to a SNA RJP workstation

▶▶ LOGON APPLID(*applname*) [LOGMODE(*mode-table-name*)] DATA(*wsname*, *oldpassword* [, *newpassword*])

---

## Logging on to a SNA RJP workstation

▶▶ LOGOFF [TYPE [(COND) | (UNCOND)]] [HOLD [(YES) | (NO)]]



---

## Appendix. Accessibility

Accessibility features help a user who has a physical disability, such as restricted mobility or limited vision, to use software products successfully. The major accessibility features in z/OS™ enable users to:

- Use assistive technologies such as screen-readers and screen magnifier software
- Operate specific or equivalent features using only the keyboard
- Customize display attributes such as color, contrast, and font size

---

### Using assistive technologies

Assistive technology products, such as screen-readers, function with the user interfaces found in z/OS. Consult the assistive technology documentation for specific information when using it to access z/OS interfaces.

---

### Keyboard navigation of the user interface

Users can access z/OS user interfaces using TSO/E or ISPF. Refer to *z/OS TSO/E Primer*, *z/OS TSO/E User's Guide*, and *z/OS ISPF User's Guide Volume I* for information about accessing TSO/E and ISPF interfaces. These guides describe how to use TSO/E and ISPF, including the use of keyboard shortcuts or function keys (PF keys). Each guide includes the default settings for the PF keys and explains how to modify their functions.



---

## Notices

This information was developed for products and services offered in the USA. IBM may not offer the products, services, or features discussed in this document in other countries. Consult your local IBM representative for information on the products and services currently available in your area. Any reference to an IBM product, program, or service is not intended to state or imply that only that IBM product, program, or service may be used. Any functionally equivalent product, program, or service that does not infringe any IBM intellectual property right may be used instead. However, it is the user's responsibility to evaluate and verify the operation of any non-IBM product, program, or service.

IBM may have patents or pending patent applications covering subject matter described in this document. The furnishing of this document does not give you any license to these patents. You can send license inquiries, in writing, to:

IBM Director of Licensing  
IBM Corporation  
North Castle Drive  
Armonk, NY 10504-1785  
USA

For license inquiries regarding double-byte (DBCS) information, contact the IBM Intellectual Property Department in your country or send inquiries, in writing, to:

IBM World Trade Asia Corporation  
Licensing  
2-31 Roppongi 3-chome, Minato-ku  
Tokyo 106, Japan

**The following paragraph does not apply to the United Kingdom or any other country where such provisions are inconsistent with local law:** INTERNATIONAL BUSINESS MACHINES CORPORATION PROVIDES THIS DOCUMENT "AS IS" WITHOUT WARRANTY OF ANY KIND, EITHER EXPRESS OR IMPLIED, INCLUDING, BUT NOT LIMITED TO, THE IMPLIED WARRANTIES OF NON-INFRINGEMENT, MERCHANTABILITY OR FITNESS FOR A PARTICULAR PURPOSE. Some states do not allow disclaimer of express or implied warranties in certain transactions, therefore, this statement may not apply to you.

This information could include technical inaccuracies or typographical errors. Changes are periodically made to the information herein; these changes will be incorporated in new editions of the document. IBM may make improvements and/or changes in the product(s) and/or the program(s) described in this document at any time without notice.

Any references in this information to non-IBM Web sites are provided for convenience only and do not in any manner serve as an endorsement of those Web sites. The materials at those Web sites are not part of the materials for this IBM product and use of those Web sites is at your own risk.

IBM may use or distribute any of the information you supply in any way it believes appropriate without incurring any obligation to you.

Licensees of this program who wish to have information about it for the purpose of enabling: (i) the exchange of information between independently created programs and other programs (including this one) and (ii) the mutual use of the information which has been exchanged, should contact:

IBM Corporation  
Mail Station P300  
2455 South Road  
Poughkeepsie, NY 12601-5400  
USA

Such information may be available, subject to appropriate terms and conditions, including in some cases, payment of a fee.

The licensed program described in this information and all licensed material available for it are provided by IBM under terms of the IBM Customer Agreement, IBM International Program License Agreement, or any equivalent agreement between us.

If you are viewing this information softcopy, the photographs and color illustrations may not appear.

---

## Programming Interface Information

This publication primarily documents information that is NOT intended to be used as Programming Interfaces of z/OS.

This publication also documents intended Programming Interfaces that allow the customer to write programs to obtain the services of z/OS. This information is identified where it occurs, either by an introductory statement to a chapter or section or by the following marking:

- Programming Interface Information
- End of Programming Interface Information

---

## Trademarks

The following terms are trademarks of International Business Machines Corporation in the United States, or other countries, or both:

- BookManager
- DFSMS
- IBM
- IBMLink
- MVS
- MVS/ESA
- OS/390
- RACF
- VTAM

- z/OS
- z/OS.e

Other company, product, and service names may be trademarks or service names of others.



---

## Readers' Comments — We'd Like to Hear from You

z/OS  
JES3 Commands Summary

Publication No. SA22-7541-03

Overall, how satisfied are you with the information in this book?

	Very Satisfied	Satisfied	Neutral	Dissatisfied	Very Dissatisfied
Overall satisfaction	<input type="checkbox"/>	<input type="checkbox"/>	<input type="checkbox"/>	<input type="checkbox"/>	<input type="checkbox"/>

How satisfied are you that the information in this book is:

	Very Satisfied	Satisfied	Neutral	Dissatisfied	Very Dissatisfied
Accurate	<input type="checkbox"/>	<input type="checkbox"/>	<input type="checkbox"/>	<input type="checkbox"/>	<input type="checkbox"/>
Complete	<input type="checkbox"/>	<input type="checkbox"/>	<input type="checkbox"/>	<input type="checkbox"/>	<input type="checkbox"/>
Easy to find	<input type="checkbox"/>	<input type="checkbox"/>	<input type="checkbox"/>	<input type="checkbox"/>	<input type="checkbox"/>
Easy to understand	<input type="checkbox"/>	<input type="checkbox"/>	<input type="checkbox"/>	<input type="checkbox"/>	<input type="checkbox"/>
Well organized	<input type="checkbox"/>	<input type="checkbox"/>	<input type="checkbox"/>	<input type="checkbox"/>	<input type="checkbox"/>
Applicable to your tasks	<input type="checkbox"/>	<input type="checkbox"/>	<input type="checkbox"/>	<input type="checkbox"/>	<input type="checkbox"/>

Please tell us how we can improve this book:

Thank you for your responses. May we contact you?  Yes  No

When you send comments to IBM, you grant IBM a nonexclusive right to use or distribute your comments in any way it believes appropriate without incurring any obligation to you.

---

Name

---

Address

---

Company or Organization

---

Phone No.

Readers' Comments — We'd Like to Hear from You  
SA22-7541-03



Cut or Fold  
Along Line

Fold and Tape

Please do not staple

Fold and Tape



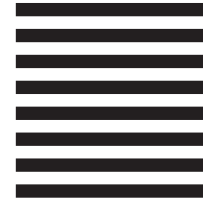
NO POSTAGE  
NECESSARY  
IF MAILED IN THE  
UNITED STATES

# BUSINESS REPLY MAIL

FIRST-CLASS MAIL PERMIT NO. 40 ARMONK, NEW YORK

POSTAGE WILL BE PAID BY ADDRESSEE

IBM Corporation  
Department 55JA, Mail Station P384  
2455 South Road  
Poughkeepsie, NY  
12601-5400



Fold and Tape

Please do not staple

Fold and Tape

SA22-7541-03

Cut or Fold  
Along Line







Program Number: 5694-A01, 5655-G52

Printed in U.S.A.

SA22-7541-03

