

z/OS



JES2 Commands Summary

z/OS



JES2 Commands Summary

Note

Before using this information and the product it supports, be sure to read the general information under "Notices" on page 87.

Fourth Edition, September 2002

This is a major revision of SA22-7527-02.

This edition applies to Version 1 Release 4 of z/OS (5694-A01), Version 1 Release 4 of z/OS.e (5694-G52), and to all subsequent releases and modifications until otherwise indicated in new editions.

Order documents through your IBM® representative or the IBM branch office serving your locality. Documents are not stocked at the address below.

IBM welcomes your comments. A form for readers' comments may be provided at the back of this document, or you may address your comments to the following address:

International Business Machines Corporation
Department 55JA, Mail Station P384
2455 South Road
Poughkeepsie, NY 12601-5400
United States of America

FAX (United States & Canada): 1+845+432-9405

FAX (Other Countries):

Your International Access Code +1+845+432-9405

IBMLink™ (United States customers only): IBMUSM10(MHVRCFS)

Internet e-mail: mhvrdfs@us.ibm.com

World Wide Web: <http://www.ibm.com/servers/eserver/zseries/zos/webqs.html>

If you would like a reply, be sure to include your name, address, telephone number, or FAX number.

Make sure to include the following in your comment or note:

- Title and order number of this document
- Page number or topic related to your comment

When you send information to IBM, you grant IBM a nonexclusive right to use or distribute the information in any way it believes appropriate without incurring any obligation to you.

© **Copyright International Business Machines Corporation 1998, 2002. All rights reserved.**

US Government Users Restricted Rights – Use, duplication or disclosure restricted by GSA ADP Schedule Contract with IBM Corp.

About this document

The information in this document is summarized from *z/OS JES2 Commands*. This document is specifically designed for installations running z/OS or z/OS.e.

This document let shows the syntax of all JES2 commands. Preceding the syntax of the commands is a table that alphabetically lists each JES2 command, the command's function, and the page number where the syntax can be found. This document let serves as a "quick reference" to JES2 commands.

Who this document is for

This document is intended for use by a system console operator who controls JES2 on a system running under MVS. This document assumes that the user understands the hardware controls and features of the installation. It also assumes that the user understands the general organization and functions of a system.

Where to find more information

This document references other publications for further details about specific topics. The following table lists these publications, the abbreviated forms of their titles used throughout this document , and their order numbers.

Short Title Used in This document	Title	Order Number
<i>z/OS Communications Server: SNA Operation</i>	<i>z/OS Communications Server: SNA Operation</i>	SC23-0113
<i>z/OS Communications Server: SNA Migration</i>	<i>z/OS Communications Server: SNA Migration</i>	SC23-0111
<i>NJE with JES2 and Other Systems</i>	<i>NJE with JES2 and Other Systems</i>	GG22-9339
	<i>Operator's Library: z/OS Remote Terminals (JES2)</i>	GC38-0228
	<i>SDSF Guide And Reference</i>	SC23-0408

Most licensed documents were declassified in OS/390 V2R4 and are now included on the z/OS Online Library Collection, SK2T-6700. The remaining licensed documents appear in unencrypted document Manager softcopy and PDF form on the z/OS Licensed Product Library, LK2T-2499.

Accessing z/OS™ licensed documents on the Internet

z/OS licensed documentation is available on the Internet in PDF format at the IBM Resource Link™ Web site at:

<http://www.ibm.com/servers/resourceLink>

Licensed documents are available only to customers with a z/OS license. Access to these documents requires an IBM Resource Link user ID and password, and a key code. With your z/OS order you received a Memo to Licensees, (GI10-0671), that includes this key code. ¹

To obtain your IBM Resource Link user ID and password, log on to:

<http://www.ibm.com/servers/resourceLink>

To register for access to the z/OS licensed documents:

1. Sign in to Resource Link using your Resource Link user ID and password.
2. Select **User Profiles** located on the left-hand navigation bar.

Note: You cannot access the z/OS licensed documents unless you have registered for access to them and received an e-mail confirmation informing you that your request has been processed.

Printed licensed documents are not available from IBM.

You can use the PDF format on either **z/OS Licensed Product Library CD-ROM** or IBM Resource Link to print licensed documents.

Using LookAt to look up message explanations

LookAt is an online facility that allows you to look up explanations for most messages you encounter, as well as for some system abends and codes. Using LookAt to find information is faster than a conventional search because in most cases LookAt goes directly to the message explanation.

You can access LookAt from the Internet at:

<http://www.ibm.com/eserver/zseries/zos/bkserv/lookat/>

or from anywhere in z/OS where you can access a TSO/E command line (for example, TSO/E prompt, ISPF, z/OS UNIX System Services running OMVS). You can also download code from the *z/OS Collection* (SK3T-4269) and the LookAt Web site that will allow you to access LookAt from a handheld computer (Palm Pilot VIIx suggested).

To use LookAt as a TSO/E command, you must have LookAt installed on your host system. You can obtain the LookAt code for TSO/E from a disk on your *z/OS Collection* (SK3T-4269) or from the **News** section on the LookAt Web site.

Some messages have information in more than one document. For those messages, LookAt displays a list of documents in which the message appears.

1. z/OS.e™ customers received a Memo to Licensees, (GI10-0684) that includes this key code.

Additional information

Additional information about z/OS elements can be found in the following documents.

Title	Order Number	Description
<i>z/OS Introduction and Release Guide</i>	GA22-7502	Describes the contents and benefits of z/OS as well as the planned packaging and delivery of this new product.
<i>z/OS and z/OS.e Planning for Installation</i>	GA22-7504	Contains information that lets users: <ul style="list-style-type: none">• Understand the content of z/OS• Plan to get z/OS up and running• Install the code• Take the appropriate migration actions• Test the z/OS system
<i>z/OS Information Roadmap</i>	SA22-7500	Describes the information associated with z/OS including z/OS documents and documents for the participating elements.
<i>z/OS Summary of Message Changes</i>	SA22-7505	Describes the changes to messages for individual elements of z/OS. Note: This document is provided in hardcopy only on the message bookshelf of the z/OS collection kit.

Determining If a Publication Is Current

As needed, IBM updates its publications with new and changed information. For a given publication, updates to the hardcopy and associated BookManager softcopy are usually available at the same time. Sometimes, however, the updates to hardcopy and softcopy are available at different times. Here's how to determine if you are looking at the most current copy of a publication:

1. At the end of a publication's order number there is a dash followed by two digits, often referred to as the dash level. A publication with a higher dash level is more current than one with a lower dash level. For example, in the publication order number GC28-1747-07, the dash level 07 means that the publication is more current than previous levels, such as 05 or 04.
2. If a hardcopy publication and a softcopy publication have the same dash level, it is possible that the softcopy publication is more current than the hardcopy publication. Check the dates shown in the Summary of Changes. The softcopy publication might have a more recently dated Summary of Changes than the hardcopy publication.
3. To compare softcopy publications, you can check the last two characters of the publication's filename (also called the book name). The higher the number, the more recent the publication. Also, next to the publication titles in the CD-ROM booklet and the readme files, there is an asterisk that indicates whether a publication is new or changed.

Summary of changes

Summary of changes for SA22-7527-03 z/OS Version 1 Release 4

This document contains information previously presented in *z/OS JES2 Commands Summary*, SA22-7527-02, which supports z/OS Version 1 Release 3.

New information

- Information has been added to indicate this document supports z/OS.e.
- New commands for the JES2 Monitor: \$JDMONITOR, \$JDSTATUS, \$JDJES, \$JDDetails, \$JDHISTORY, \$JDSTOP

This document contains terminology, maintenance, and editorial changes. Technical changes or additions to the text and illustrations are indicated by a vertical line to the left of the change.

Starting with z/OS V1R2, you may notice changes in the style and structure of some content in this document—for example, headings that use uppercase for the first letter of initial words only, and procedures that have a different look and format. The changes are ongoing improvements to the consistency and retrievability of information in our documents.

Summary of changes for SA22-7527-02 z/OS Version 1 Release 3

This document contains information previously presented in *z/OS JES2 Commands Summary*, SA22-7527-01, which supports z/OS Version 1 Release 2.

New information

- An appendix with z/OS product accessibility information has been added.

Changed information

- \$ACTIVATE has been clarified.

Deleted information

This book contains terminology, maintenance, and editorial changes. Technical changes or additions to the text and illustrations are indicated by a vertical line to the left of the change.

Summary of changes for SA22-7527-01 z/OS Version 1 Release 2

This book contains information previously presented in *z/OS JES2 Commands Summary*, SA22-7527-00, which supports z/OS Version 1 Release 1.

New information

- \$D ACTIVATE
- \$ADD, \$D, \$DEL, \$T PROCLIB
- \$D, \$T REQJOBID
- SYSAFF= syntax diagrams for \$S SPOOL, \$T SPOOL, \$T INTRDR, \$T RDRnn.

JES2 Commands Summary

Command	Function	Page
\$A A	Release all jobs	47
\$A job	Release specified jobs	74
\$ACTIVATE	Activate a particular level of JES2 processing	6
\$ADD CONNECT	Add static network connections	22
\$ADD APPL	Define a new JES2 application	44
\$ADD DESTid	Define a symbolic destination name	24
\$ADD FSS	Define a new functional subsystem to JES2	30
\$ADD LINE(nnn)	Define a RJE line	25
\$ADD LOGON(n)	Define the JES2/VTAM interface	32
\$ADD PRTnnnn	Define a local printer	32
\$ADD PROCLIB	Define dynamic PROCLIB concatenations	23
\$ADD RMT(nnnn)	Define an RJE workstation	43
\$B PRTnnnn Rnnnn.PRm	Backspace printer output	48
\$B PUNnn Rnnnn.PUm	Backspace punch output	48
\$C A	Cancel automatic commands	7
\$C job	Cancel a job	74
\$C L(nnnn).dd(n)	Cancel NJE device activity	49
\$C O job	Cancel output groups	68
\$C OFFn.dd	Cancel a spool offload device	49
\$C PRTnnnn Rnnnn.PRm	Cancel printer output	48
\$C PUNnn Rnnnn.PUm	Cancel punch output	48
\$C RDRnn Rnnnn.RDm	Cancel reader activity	48
\$D A	Display information about active jobs	6
\$D ACTIVATE	Display the current JES2 checkpoint level	6
\$D ACTRMT	Display active RJE workstations in a MAS	24
\$D APPL	Define a new JES2 application	44
\$D BUFDEF	Display local buffers	16
\$D CKPTDEF	Display the checkpoint definition	20
\$D CKPTSPACE	Display amount of checkpoint space	9
\$D COMPACT	Display compaction tables	8
\$D CONDEF	Display console communication characteristics	9
\$D CONNECT	Display network connections that are defined to JES2	22
\$D DESTDEF	Display symbolic destination displays	9
\$D ESTIME	Display the estimated time set for jobs	52
\$D F	Display the job output forms queue	14
\$D FSS	Display functional subsystem characteristics	30
\$D I	Display initiator information	59
\$D job	Display information about specified jobs	74
\$D JOBCLASS(n)	Display information about the job class characteristics	27
\$D JOBPRTY(n)	Specify the JES2 job scheduling priority	52
\$D LOADMOD	Display load module information	66
\$D Line	Display a line.	80
\$D M	Display message or send message to job's job log	59
\$D MASDEF	Display characteristics of the MAS	21

Command	Function	Page
\$D MEMBER	Display the status of MAS members	55
\$D MODULE	Display module information	47
\$D N	Display job queue information	67
\$D NETACCT	Display networking account numbers	48
\$D NJEDEF	Display the JES2 network environment	15
\$D NODE	Display node characteristics	49
\$D O job	Display information about specified output groups	68
\$D OFF(n).JR	Display offload job receiver characteristics	64
\$D OFF(n).JT	Display offload job transmitter characteristics	64
\$D OFF(n).SR	Display offload SYSOUT receiver characteristics	64
\$D OFF(n).ST	Display offload SYSOUT transmitter characteristics	64
\$D OPTSDEF	Display start option definitions	9
\$D OUTCLASS(n)	Display SYSOUT class characteristics output classes	13
\$D OUTDEF	Display JES2 job output characteristics	9
\$D OUTPRTY(n)	Display JES2 output scheduling priority	67
\$D PATH	Display paths from node to node	43
\$D PCE	Display tracing status for JES2 processors	45
\$D PCEDEF	Display JES2 PCE definitions	9
\$D PRINTDEF	Display JES2 printer characteristics	9
\$D PRT Rnnnn.PRTm	Display printers	32
\$D PROCLIB	Display dynamic PROCLIB concatenations	23
\$D PUNnn Rnnnn.PUm	Display punches	41
\$D PUNCHDEF	Display JES2 punch characteristics	9
\$D Q	Display the number of jobs queued	8
\$D R(n).CON	Display specified remote console	23
\$D RDI	Display status of internal reader	36
\$D RDRnn Rnnnn.RDm	Display a reader	36
\$D REBLD	Display jobs on the rebuild queue	9
\$D RECVopts	Display JES2 recovery options	9
\$D REDIRECT	Display Redirect responses	43
\$D REQJOBID	Display JOBID address spaces	54
\$D SMFDEF	Display SMF buffers	9
\$D SPOOL	Display spool volume usage	18
\$D SPOOLDEF	Display the JES2 spooling environment	54
\$D SSI	Display subsystem interface function information	31
\$D SUBNET	Display subnets and node names	9
\$D SUBTDEF	Display JES2 subtask definitions	9
\$D TPDEF	Display JES2 teleprocessing characteristics	16
\$D TRACEDEF	Display the JES2 trace environment characteristics	9
\$D U	Display the status of all JES2 devices	25
\$D U,LINEn \$D NODE	Display node attributes	49
\$DEL CONNECT	Delete static connections	22
\$DEL DESTid	Delete a symbolic destination name	24
\$DEL PROCLIB	Remove dynamic PROCLIB concatenations	23
\$E CKPTLOCK	Reset the checkpoint lock	19
\$E job	Restart a currently executing job	74
\$E L(nnn).dd(n)	Restart NJE device activity	49
\$E LINE(nnn)	Restart RJE line activity	25
\$E LOGON(n)	Restart the JES2/TAM interface	32


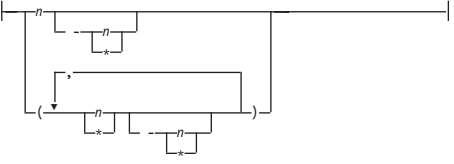
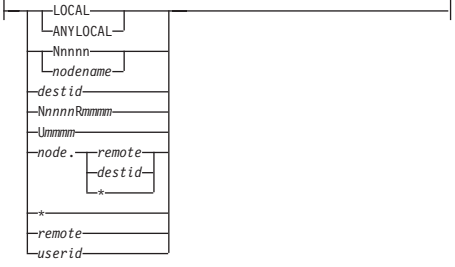
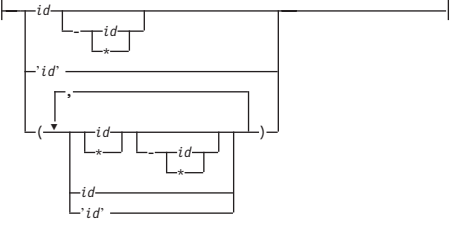
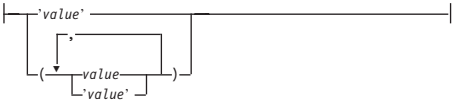
Command	Function	Page
\$E MEMBER	Restart jobs from a failed member	55
\$E OFFn.JT OFFn.ST	Restart an offload transmitter	49
\$E PRTnnnn Rnnnn.PRm	Restart printer activity	48
\$E PUNnn Rnnnn.PUm	Restart punch activity	48
\$F PRTnnnn Rnnnn.PRm	Advance printer output	48
\$F PUNn Rnnnn.PUm	Advance punch output	48
\$G A	Release a job at another node	58
\$G C	Cancel a job at another node	58
\$G D	Display information for a job at another node	58
\$G H	Hold a job at another node	58
\$G R	Request another node to route a job for execution	58
\$G R	Request another node to route job output	58
\$H A	Hold all jobs	47
\$H job	Hold specified jobs	74
\$I PRTnnnn Rnnnn.Pm	Interrupt printer activity	48
\$I PUNnn Rnnnn.PUm	Interrupt punch activity	48
\$L job	Display count of output group information	68
\$Mnn	Send Commands to Other MAS Members	80
\$Nnnnn	Send Commands through the Network	80
\$N PRTnnnn Rnnnn.PRm	Repeat printer output	48
\$N PUNnn Rnnnn.PUm	Repeat punch output	48
\$O	Release or cancel held output data sets	74
\$P	Stop JES2 processing	59
\$P I	Stop an initiator	59
\$P JES2	Withdraw JES2 from the system	59
\$P job	Purge a job	74
\$P L(nnnn).dd(n)	Stop an NJE device	49
\$P LINE(nnn)	Stop an RJE line	25
\$P LOGON(n)	Stop the JES2/VTAM interface	32
\$P O job	Cancel output groups	68
\$P OFFn.dd	Drain an offload transmitter/receiver	49
\$P OFFLOADn	Drain an offload device	63
\$P PRTnnnn Rnnnn.PRm	Stop a printer	48
\$P PUNnn Rnnnn.PUm	Stop a punch	48
\$P RDRnn Rnnnn.RDm	Stop a reader	48
\$P RMT(nnnn)	Disconnect an RJE workstation	61
\$P SPOOL	Drain a spool volume	59
\$P TRACE(n)	Deactivate trace identifiers	61
\$P XEQ	Stop initiation of batch jobs into execution	59
\$R,D=	Route job output	14
\$R XEQ	Route specified jobs for execution	14
\$S	Start JES2 processing	59
\$S A	Start automatic command processing	59
\$S I	Start an initiator	59
\$S job	Initiate a batch job into execution	59
\$S L(nnnn).dd(n)	Start an NJE device	49
\$S LINE(nnn)	Start an RJE line	25
\$S LOGON(n)	Start the JES2/VTAM interface	32
\$S N	Start an SNA applicaton-to-application session with another node	59

Command	Function	Page
\$\$ N,LINExx	Establish an NJE connection with an adjacent node	59
\$\$ OFFn.dd	Start an offload transmitter/receiver	49
\$\$ OFFLOAD	Start an offload device	63
\$\$ PRTnnnn Rnnnn.PRm	Start a printer	48
\$\$ PUNnn Rnnnn.PUm	Start a punch	48
\$\$ RDRnn Rnnnn.RDm	Start a reader	48
\$\$ RMT(nnnn)	Automatically connect an SNA RJE workstation	61
\$\$ Spool	Start a spool volume	59
\$\$ TRACE(n)	Activate a trace identifier	61
\$\$ XEQ	Start initiation of batch jobs into execution	59
\$T A	Display, specify, and modify automatic commands	7
\$T APPL	Change an application's characteristics	44
\$T BUFDEF	Modify local buffers	16
\$T CKPTDEF	Control the checkpoint definition	20
\$T CKPTSPACE	Control amount of checkpoint space	9
\$T CONDEF	Control console communication characteristics	11
\$T CONNECT	Change static network connections that were previously defined	22
\$T DEBUG	Control the JES2 debug option	19
\$T DESTDEF	Control symbolic destination displays	11
\$T DES tid	Change the route code associated with a symbolic destination name	24
\$T ESTBYTE	Specify estimated amount of spool space needed for job output	52
\$T ESTLNCT	Specify the estimated printline count for job output	52
\$T ESTPAGE	Specify the estimated page count for job output	52
\$T ESTPUN	Specify the estimate number of punched cards for job output	52
\$T ESTIME	Specify the estimated execution time for jobs	52
\$T EXIT(nnn)	Specify JES2 Exits	53
\$T FSS	Change a functional subsystem's characteristics	30
\$T I	Assign initiator classes	59
\$T INTRDR	Control internal readers	40
\$T job	Change a job's class, scheduling priority, or member affinity	74
\$T JOBCLASS(n)	Set job class characteristics	27
\$T JOBCLASS(n)	Specify an XBM procedure to be used for jobs in a selected class	27
\$T JOBCLASS(n)	Release job queues	27
\$T JOBCLASS(n)	Hold Job Queues	27
\$T JOBDEF	Specify the JES2 job characteristics	29
\$T L(nnnn).dd(n)	Control work selection on an NJE device	62
\$T LINE(nnn)	Disconnect RJE line, assign password, or diagnose RJE problems	25
\$T LOGON(n)	Assign password to the JES2/VTAM, diagnose SNA problems	32
\$T MASDEF	Control the MAS environment	21
\$T MEMBER	Change a member's operational mode	55
\$T NJEDEF	Specify the JES2 network environment	15
\$T NODE	Change node characteristics	49
\$T NUM	Set the JES2 internal job numbers	11
\$T O job	Set output characteristics	68
\$T OFF(n).JR	Specify offload job receiver characteristics	64
\$T OFF(n).JT	Specify offload job transmitter characteristics	64
\$T OFF(n).SR	Specify offload SYSOUT receiver characteristics	64
\$T OFF(n).ST	Specify offload SYSOUT transmitter characteristics	64
\$T OUTCLASS(n)	Set SYSOUT class characteristics output classes	13

Command	Function	Page
\$T OUTDEF	Specify JES2 job output characteristics	11
\$T OUTPRTY(n)	Specify JES2 output scheduling priority	67
\$T PCE	Trace all JES2 processors of a given type (start/stop tracing)	45
\$T PRINTDEF	Specify JES2 printer characteristics	11
\$T PRTnnnn Rnnnn.PRm	Specify printer characteristics and options	32
\$T PROCLIB	Modify an existing dynamic PROCLIB concatenation	23
\$T PUNnn Rnnnn.PUm	Specify punch characteristics and options	41
\$T RDRnn Rnnnn.RDm	Assign reader characteristics, hold all jobs, and control tracing	39
\$T RECVopts	Control JES2 recovery options	11
\$T REDIRECT	Redirect responses to commands entered at the entry console	43
\$T REQJOBID	Modify or specify JOBID address spaces	54
\$T RMT(nnnn)	Set an RJE workstation's characteristics	43
\$T SMFDEF	Modify SMF buffers	11
\$T SPOOL	Modify a Spool Volume	82
\$T SPOOLDEF	Control the JES2 spooling environment	54
\$T SSI(n)	Control subsystem interface function tracing	31
\$T TPDEF	Specify JES2 teleprocessing characteristics	16
\$T TRACEDEF	Specify the JES2 trace environment characteristics	11
\$VS	Enter MVS system commands through JES2	80
\$Z A	Halt automatic command processing	59
\$Z I	Halt an initiator	59
\$Z OFFLOADn	Halt an offload device	63
\$Z PRTnnnn Rnnnn.PRm	Halt printer activity	48
\$Z PUNnn Rnnnn.PUm	Halt punch activity	48
\$Z RDRnn	Halt a reader	48
\$Z SPOOL	Halt a spool volume	59
\$JDETAILS	Display details summary of jobs	82
\$JDHISTORY	Display history of JES2 resource usage	82
\$JDJES	Display non-severe incident report	82
\$JDMONITOR	Display current status of JES2 monitor subtasks	82
\$JDSTATUS	Display current status	83
\$JSTOP	Terminate monitor address space	83
\$ZAPJOB	Remove Job Structure from Job Queue	83

JES2 Commands Common Syntax Elements

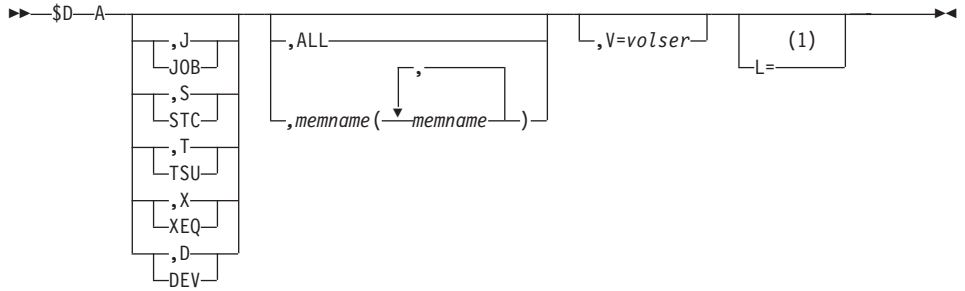
Many JES2 commands use the following elements in their syntax. Refer to these elements as required when interpreting a command's syntax.

<p>L=:</p> 	<p>Numeric:</p> 
<p>Destination:</p> 	<p>Identifier:</p> 
<p>Value:</p> 	

\$ACTIVATE, \$D ACTIVATE

▶—\$ACTIVATE\$D ACTIVATE—LEVEL=—z2—R4—▶

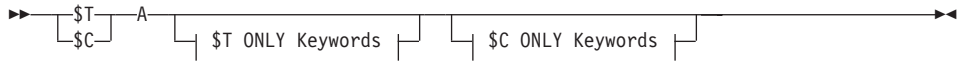
\$D A - Display Information About Active Jobs



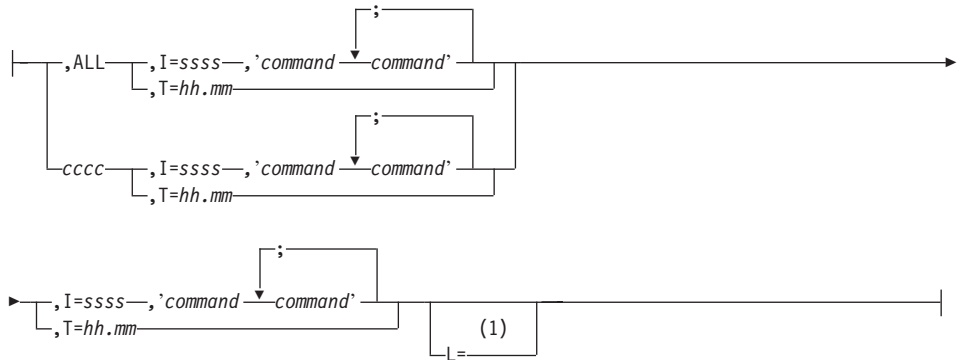
Notes:

- 1 See "JES2 Commands Common Syntax Elements" on page 6.

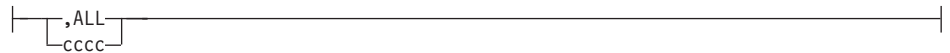
\$T, \$C A - Display, Specify, Modify, Cancel Automatic Commands



\$T ONLY Keywords:



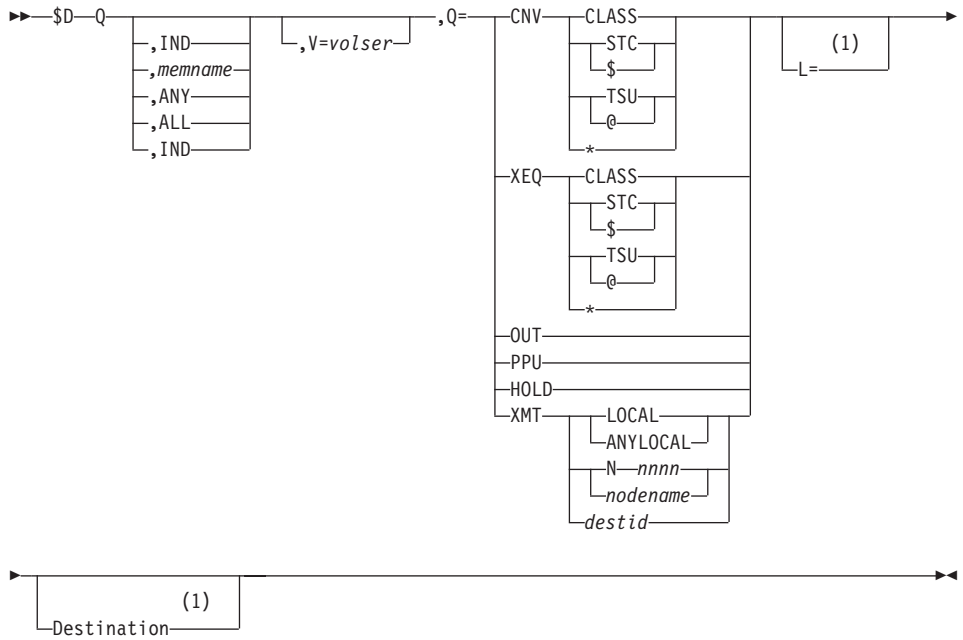
\$C ONLY Keywords:



Notes:

- 1 See "JES2 Commands Common Syntax Elements" on page 6.

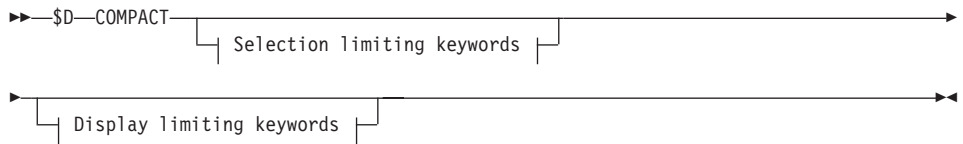
\$D Q - Display the Number of Jobs Queued



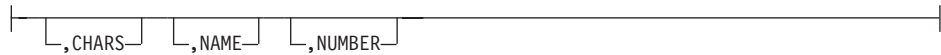
Notes:

- 1 See "JES2 Commands Common Syntax Elements" on page 6.

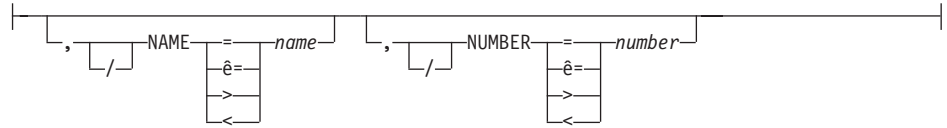
\$D COMPACT - Display JES2 SNA NJE Application(s)



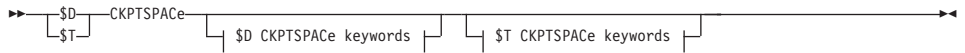
Display limiting keywords:



Selection limiting keywords:



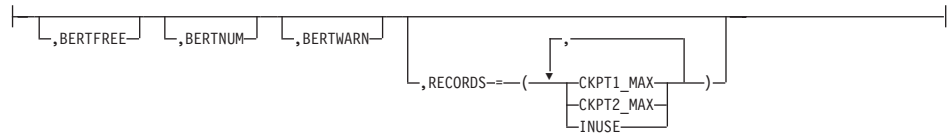
\$D, \$T CKPTSPACE, Display/Control Amount of Space in the Checkpoint



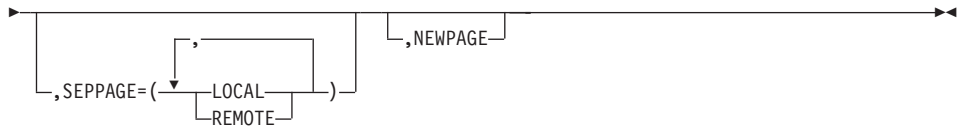
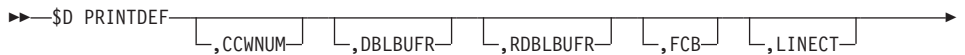
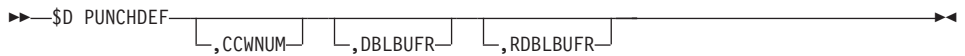
\$T CKPTSPACE keywords:

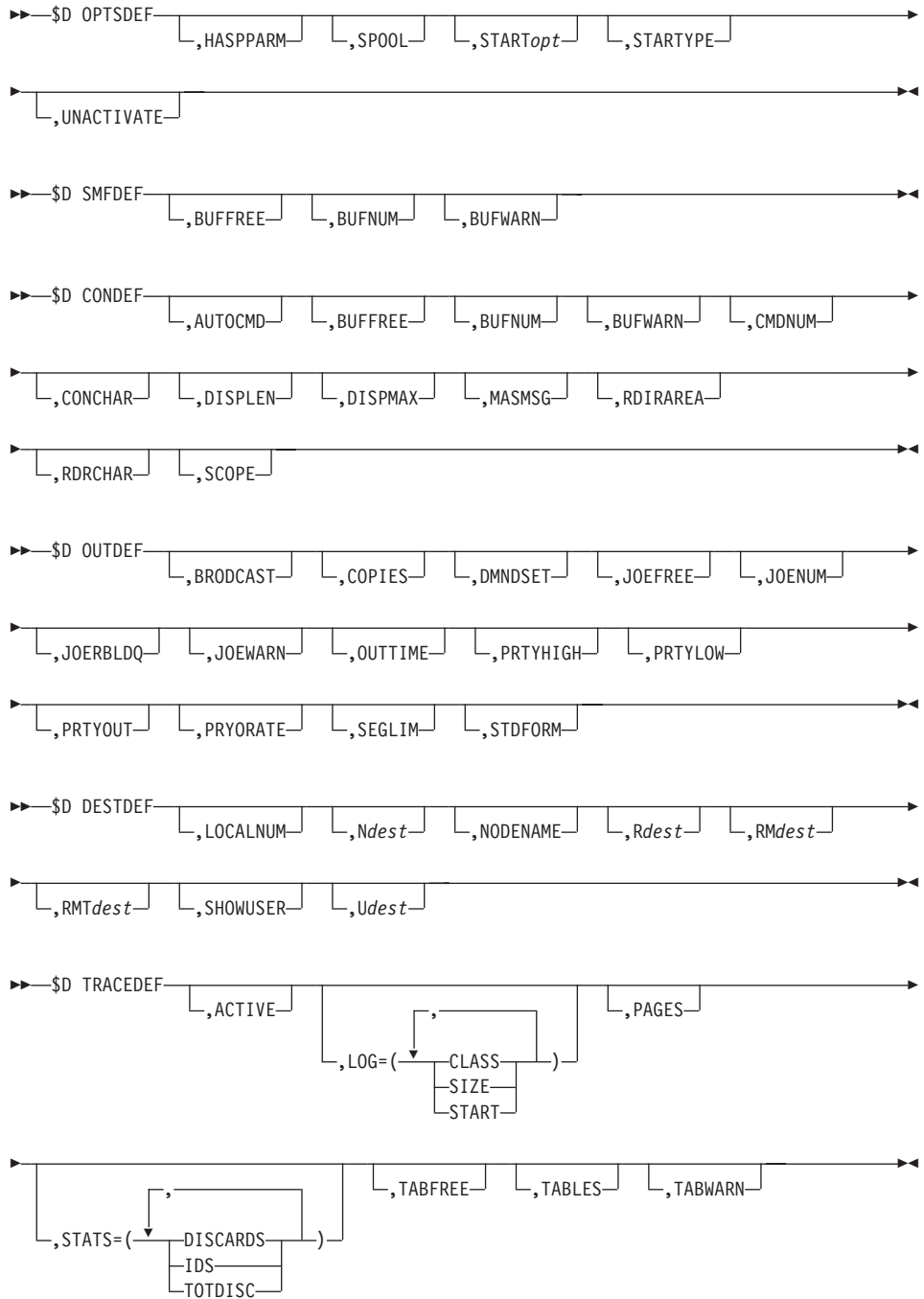


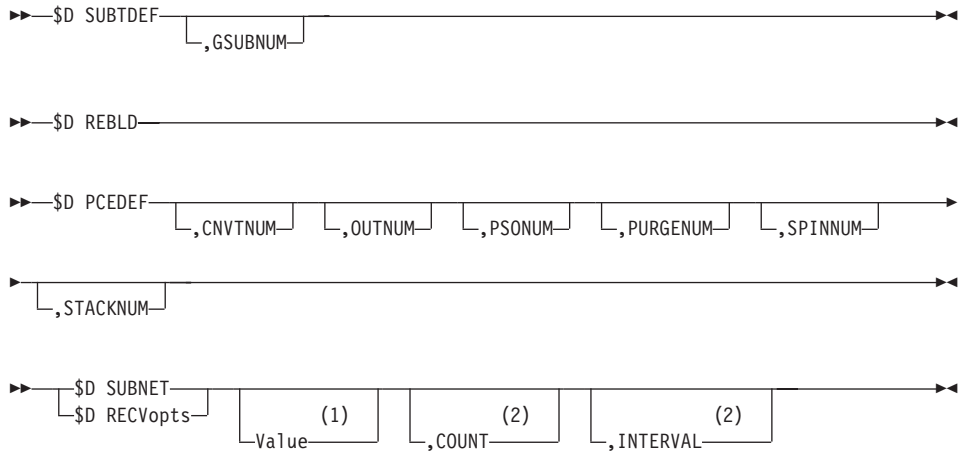
\$D CKPTSPACE keywords:



\$D PUNCHDEF, \$D PRINTDEF, \$D OPTSDEF, \$D SMFDEF, \$D CONDEF, \$D DESTDEF, \$D TRACEDEF, \$D SUBTDEF, \$D SUBNET, \$D REBLD, \$D RECVOpts, \$D PCEDEF



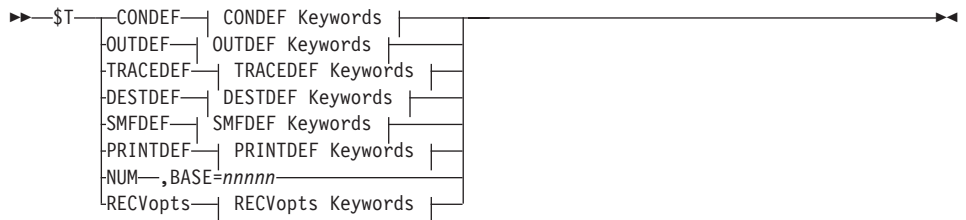




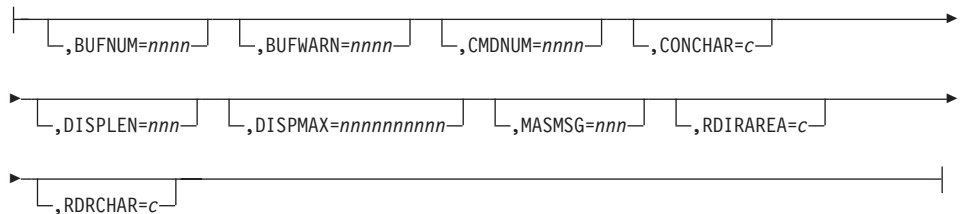
Notes:

- 1 See “JES2 Commands Common Syntax Elements” on page 6.
- 2 \$D RECVOpts only.

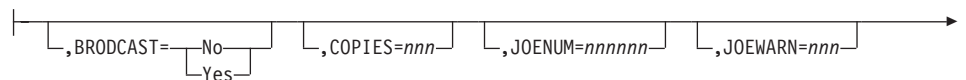
\$T CONDEF, \$T OUTDEF, \$T TRACEDEF, \$T DESTDEF, \$T SMFDEF, \$T PRINTDEF, \$T NUM, \$T RECVOpts

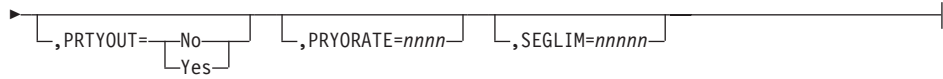
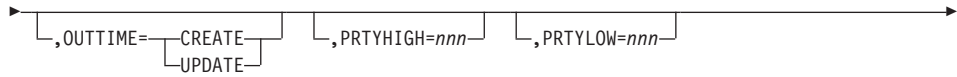


CONDEF Keywords:

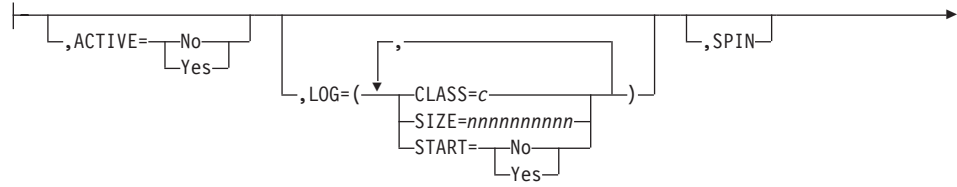


OUTDEF Keywords:





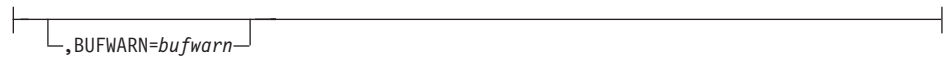
TRACEDEF Keywords:



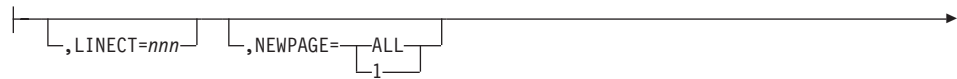
DESTDEF Keywords:

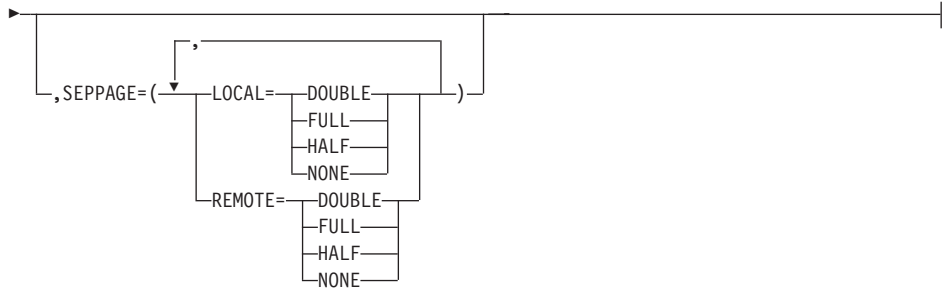


SMFDEF Keywords:



PRINTDEF Keywords:





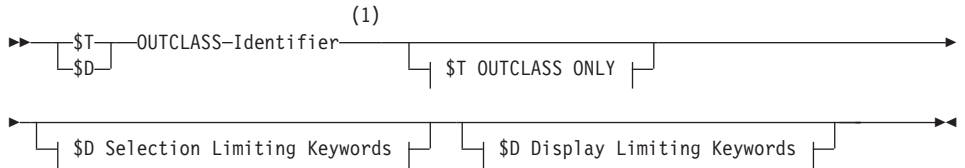
RECVopts Keywords:



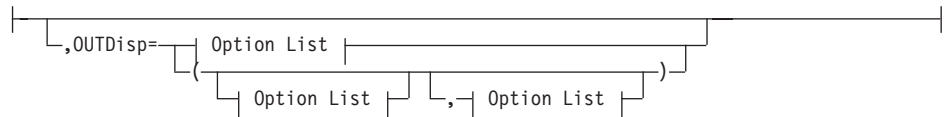
Notes:

- 1 See "JES2 Commands Common Syntax Elements" on page 6.

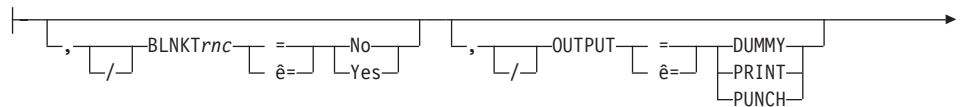
\$T, \$D OUTCLASS(n) - Set SYSOUT Class Characteristics

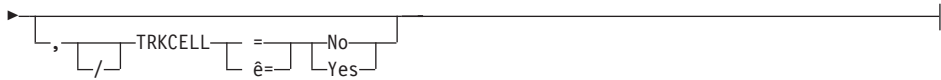


\$T OUTCLASS ONLY:

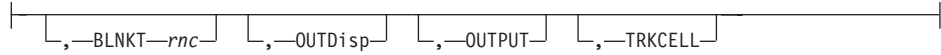


\$D Selection Limiting Keywords:





\$D Display Limiting Keywords:



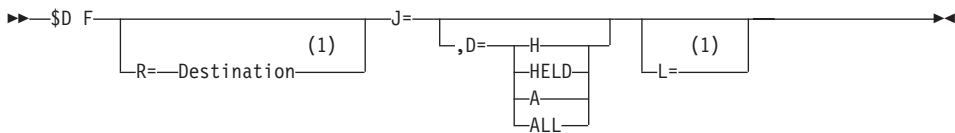
Option List:



Notes:

- 1 See "JES2 Commands Common Syntax Elements" on page 6.

\$D F Display Output Forms



J=:



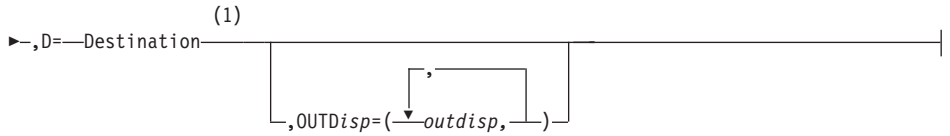
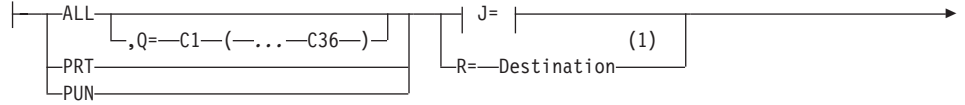
Notes:

- 1 See "JES2 Commands Common Syntax Elements" on page 6.

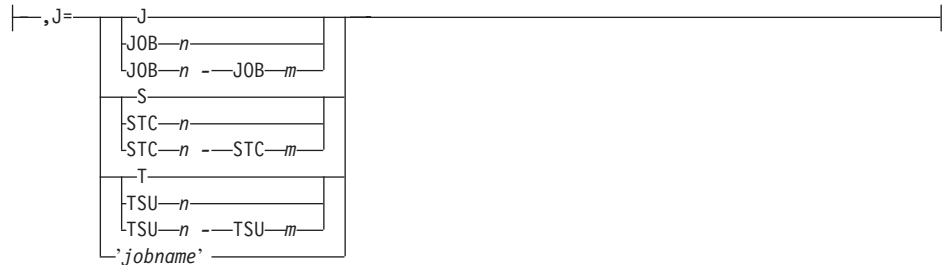
\$R - Route Job Output, \$R XEQ Route Specific Jobs for Execution



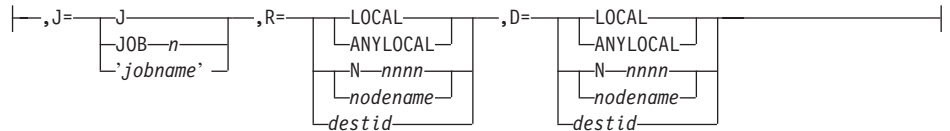
\$R Options:



J=:



\$R XEQ Options:



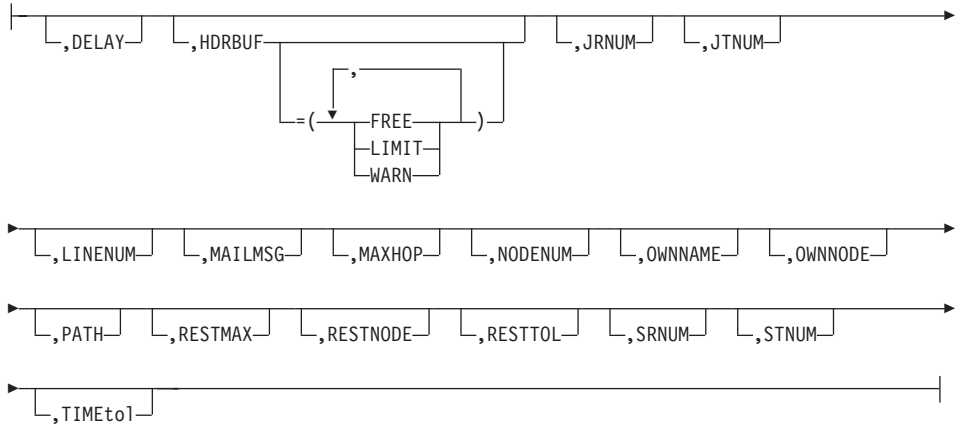
Notes:

- 1 See "JES2 Commands Common Syntax Elements" on page 6.

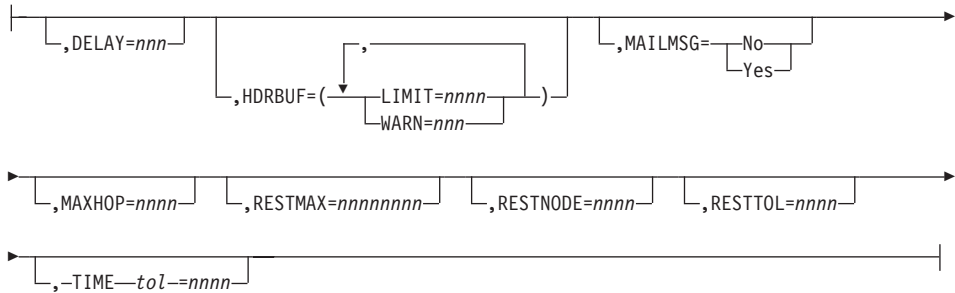
\$D, \$T NJEDEF - Display/Control the JES2 Network Environment



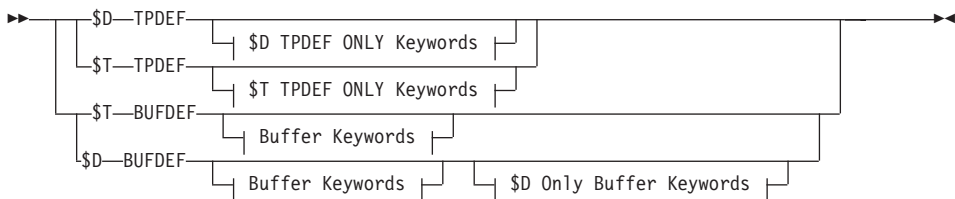
\$D ONLY Keywords:



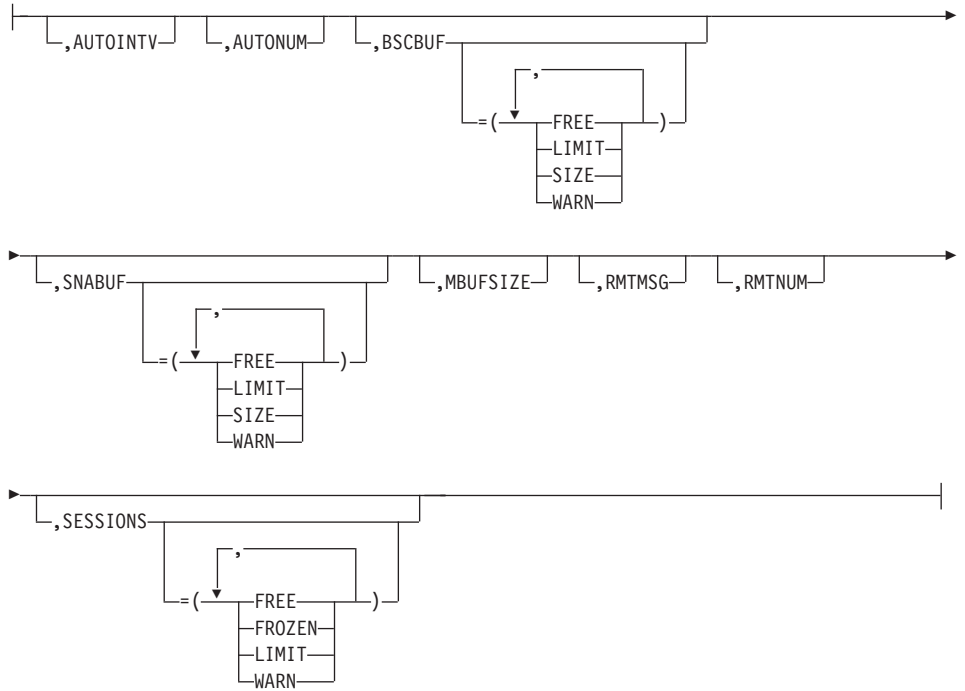
\$T ONLY Keywords:



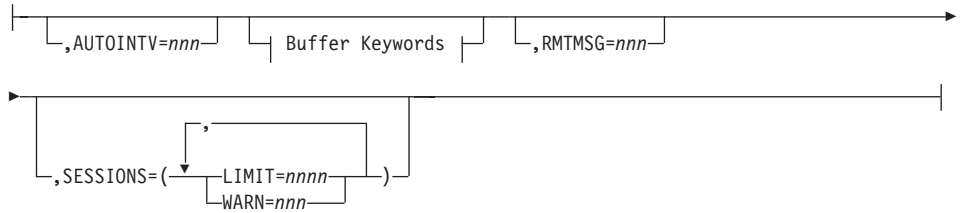
\$D, \$T TPDEF , \$D, \$T BUFDEF - Display/Control Current Teleprocessing Characteristics, \$D PCEDEF



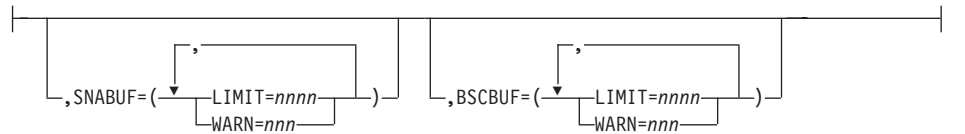
\$D TPDEF ONLY Keywords:



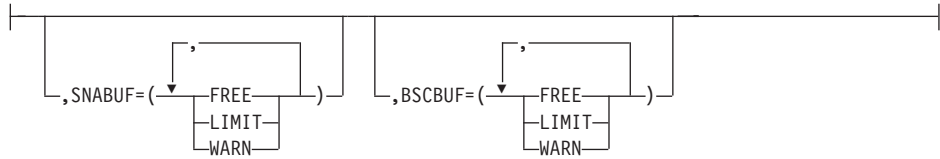
\$T TPDEF ONLY Keywords:



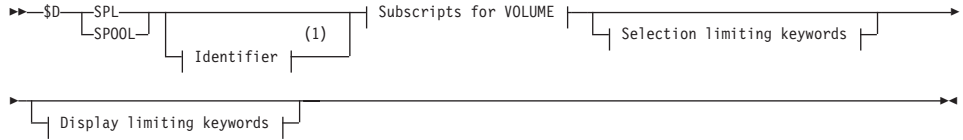
Buffer Keywords:



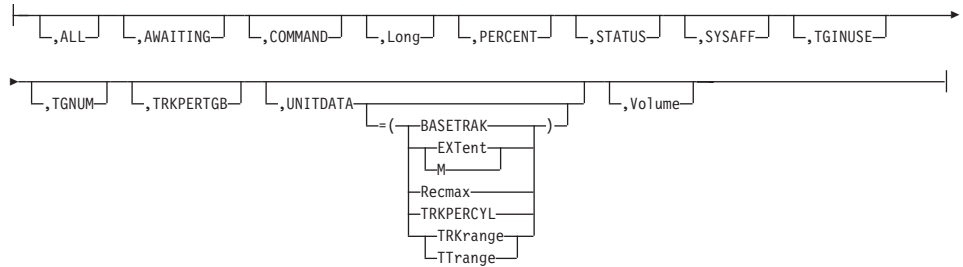
\$D Only Buffer Keywords:



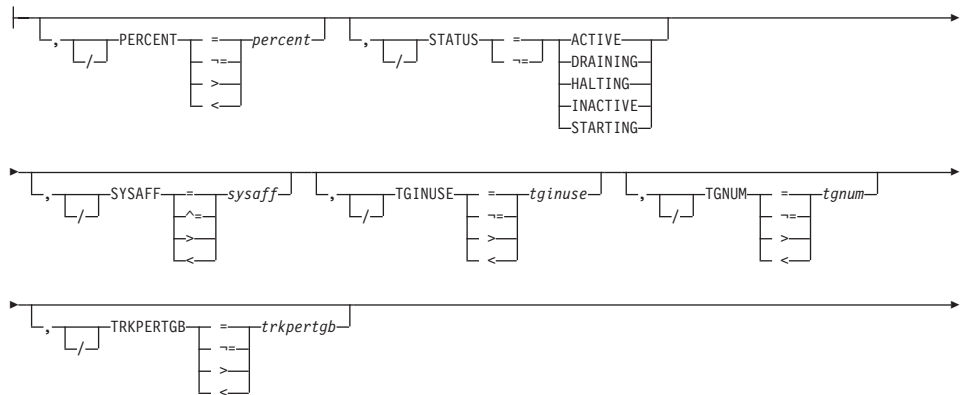
\$D SPOOL - Display the Status of Spool Volumes

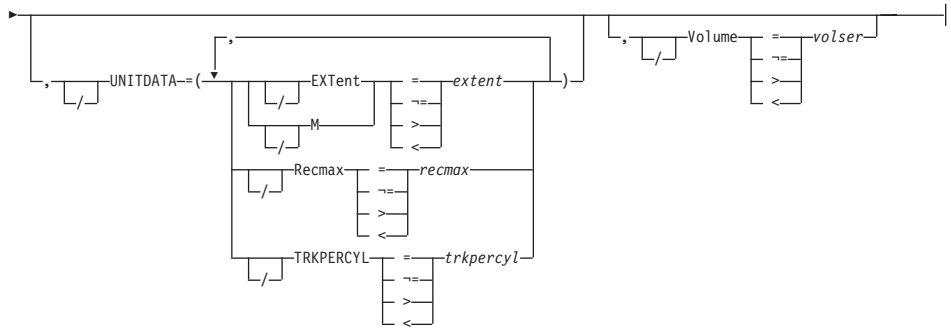


Display limiting keywords:



Selection limiting keywords:

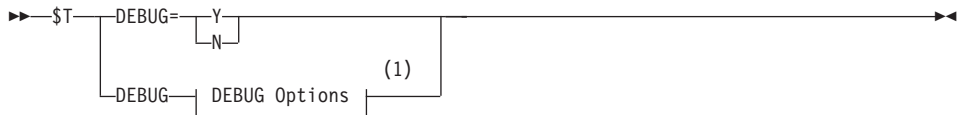




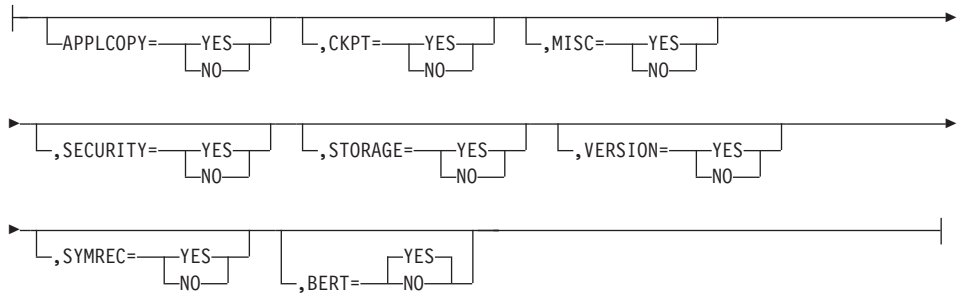
Notes:

- 1 See "JES2 Commands Common Syntax Elements" on page 6.

\$T DEBUG - Set the JES2 DEBUG Option



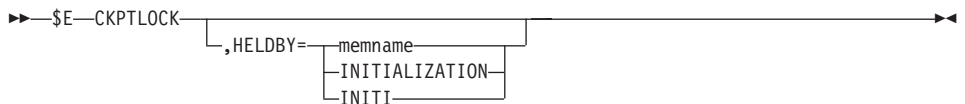
DEBUG Options:



Notes:

- 1 You can specify more than one parameter; you must specify at least one parameter.

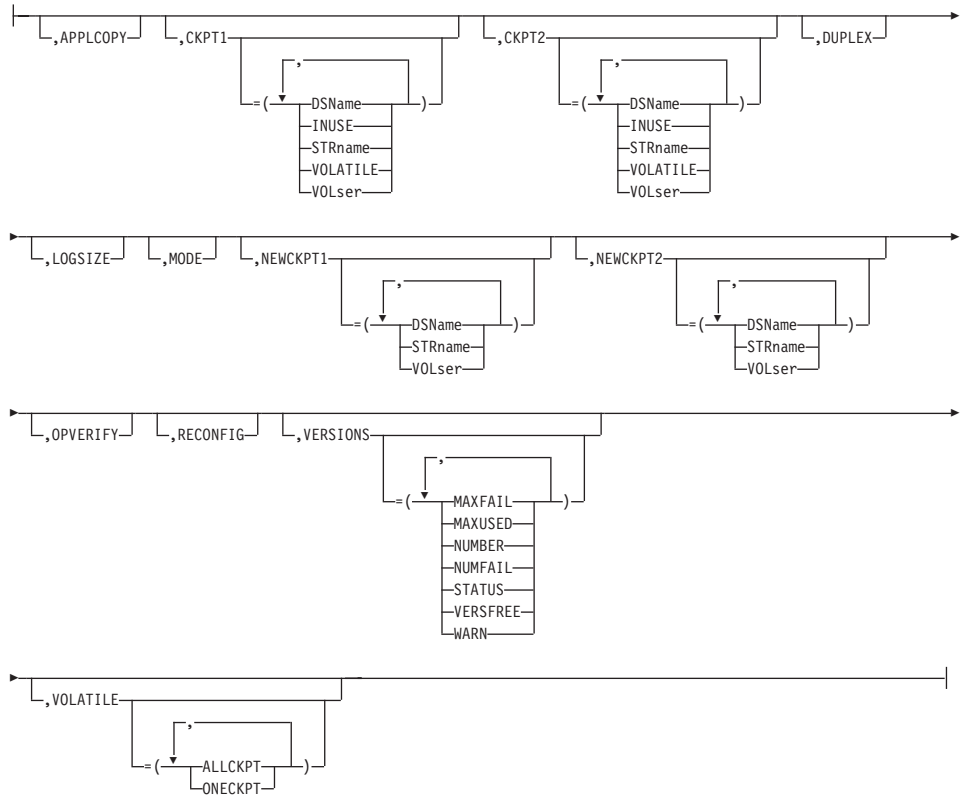
\$E CKPTLOCK, HELDBY - Reset the Checkpoint Lock



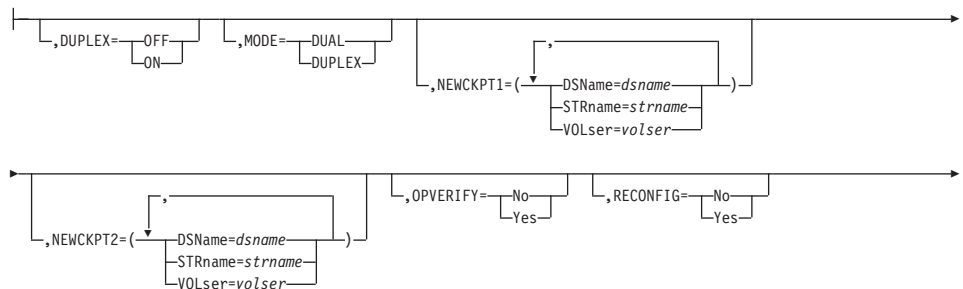
\$D, \$T CKPTDEF - Display/Control the Checkpoint Definition

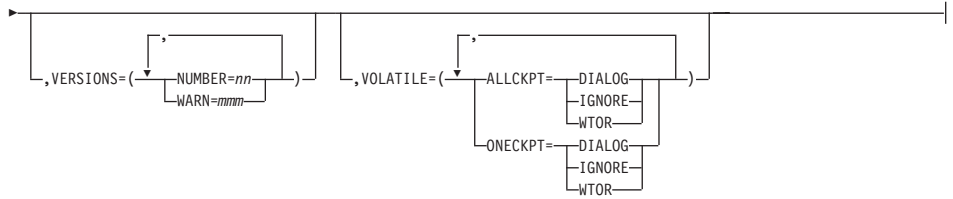


\$D ONLY Keywords:

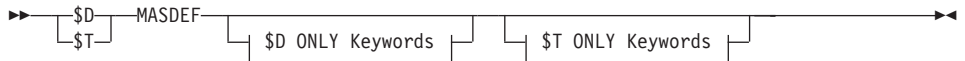


\$T ONLY Keywords:

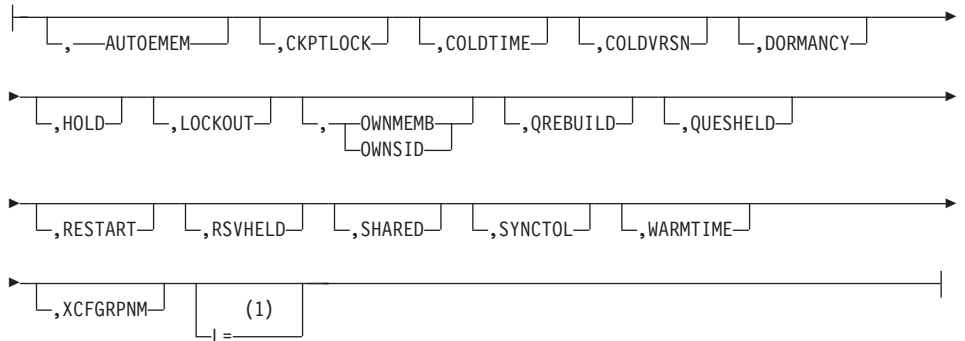




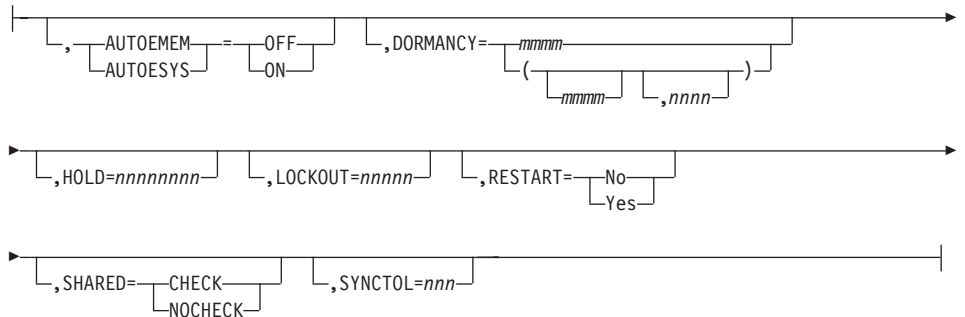
\$D, \$T MASDEF - Display and Control the Multi-access Pool Environment



\$D ONLY Keywords:



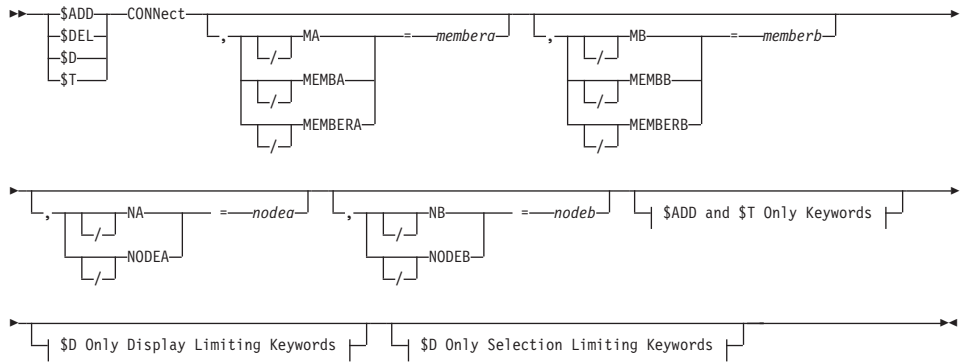
\$T ONLY Keywords:



Notes:

- 1 See "JES2 Commands Common Syntax Elements" on page 6.

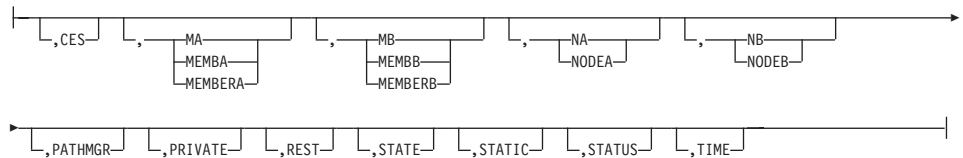
\$ADD, \$DEL, \$D, \$T CONNECT



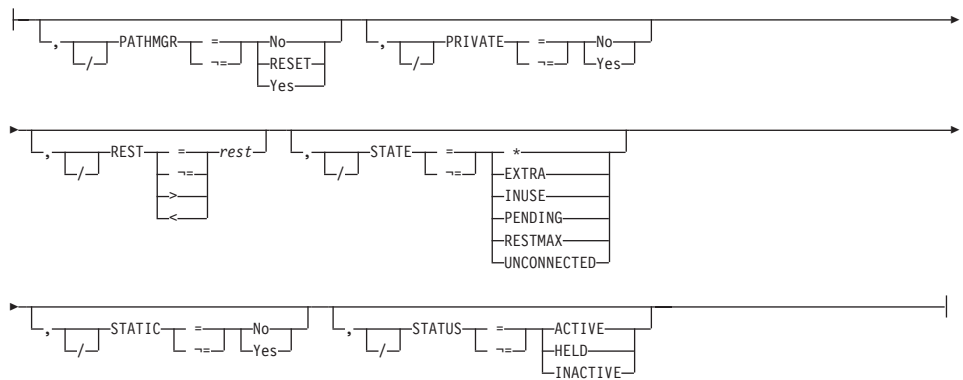
\$ADD and \$T Only Keywords:



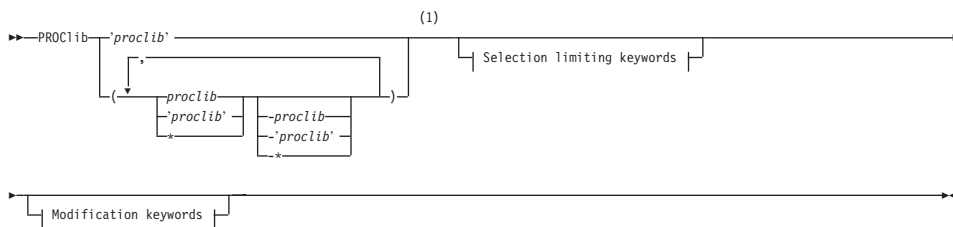
\$D Only Display Limiting Keywords:



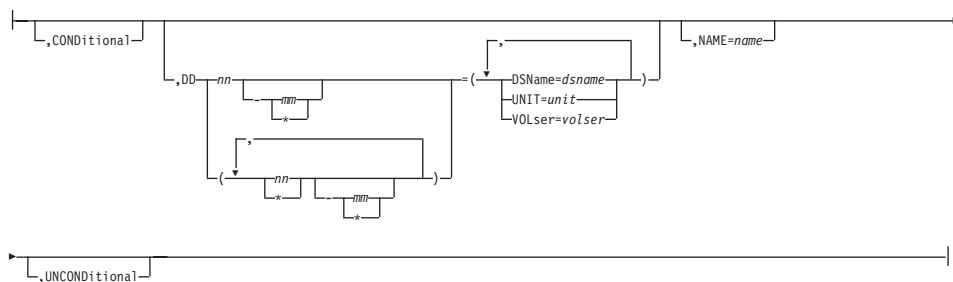
\$D Only Selection Limiting Keywords:



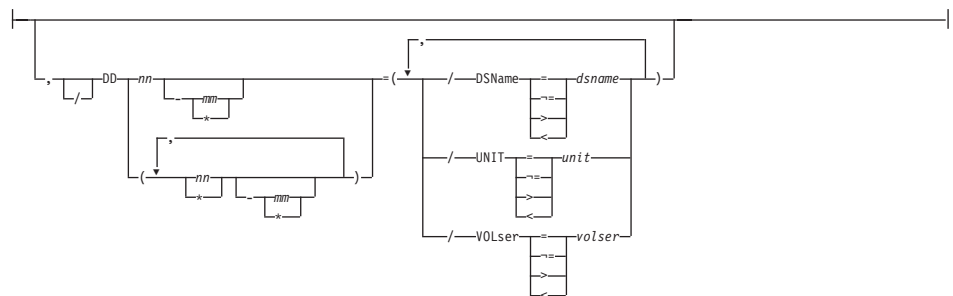
\$ADD, \$D, \$DEL, \$T PROCLIB



Modification keywords:



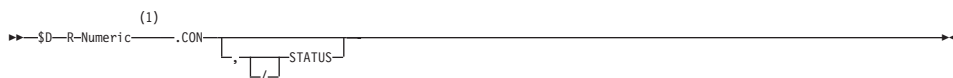
Selection limiting keywords:



Notes:

- Omit the comma between initialization statement and first keyword

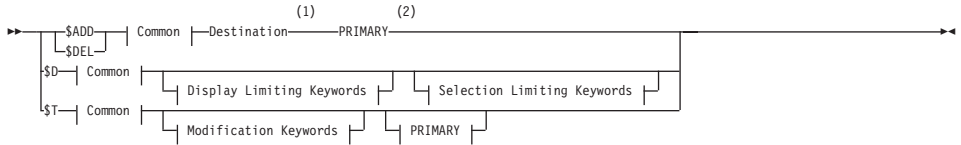
\$D R(n).CON



Notes:

- 1 See "JES2 Commands Common Syntax Elements" on page 6.

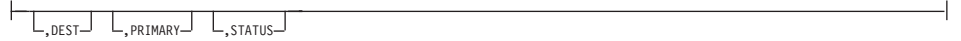
\$ADD, \$D, \$DEL, \$T DESTID



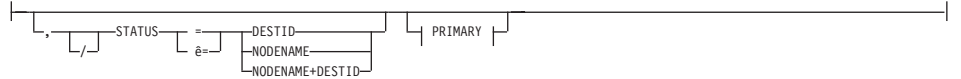
Common:



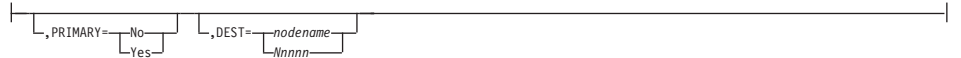
Display Limiting Keywords:



Selection Limiting Keywords:



Modification Keywords:



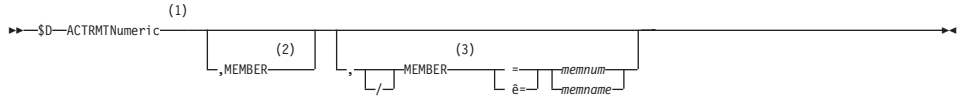
PRIMARY:



Notes:

- 1 See "JES2 Commands Common Syntax Elements" on page 6.
- 2 \$ADD only.

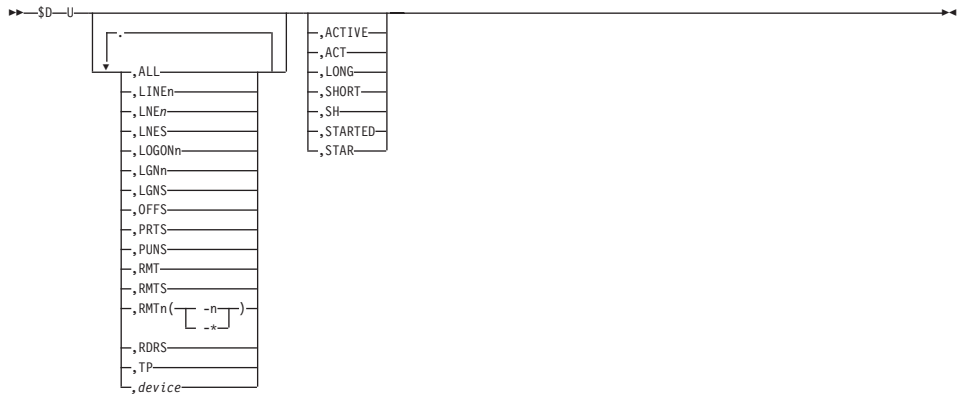
\$D ACTRMT



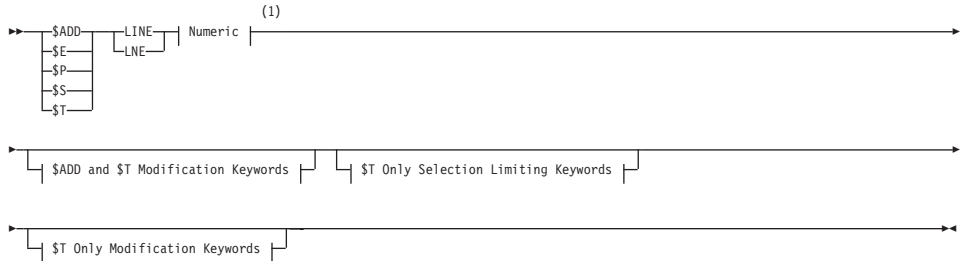
Notes:

- 1 See “JES2 Commands Common Syntax Elements” on page 6.
- 2 Display Limiting Keyword
- 3 Selection Limiting Keyword

\$D U - Display the Status of JES2-Controlled Devices

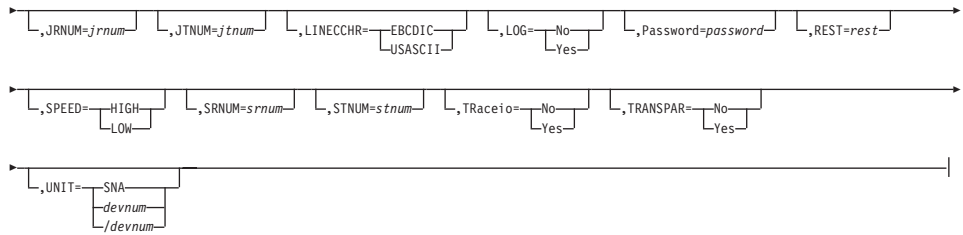


\$ADD, \$E, \$P, \$S, \$T LINE

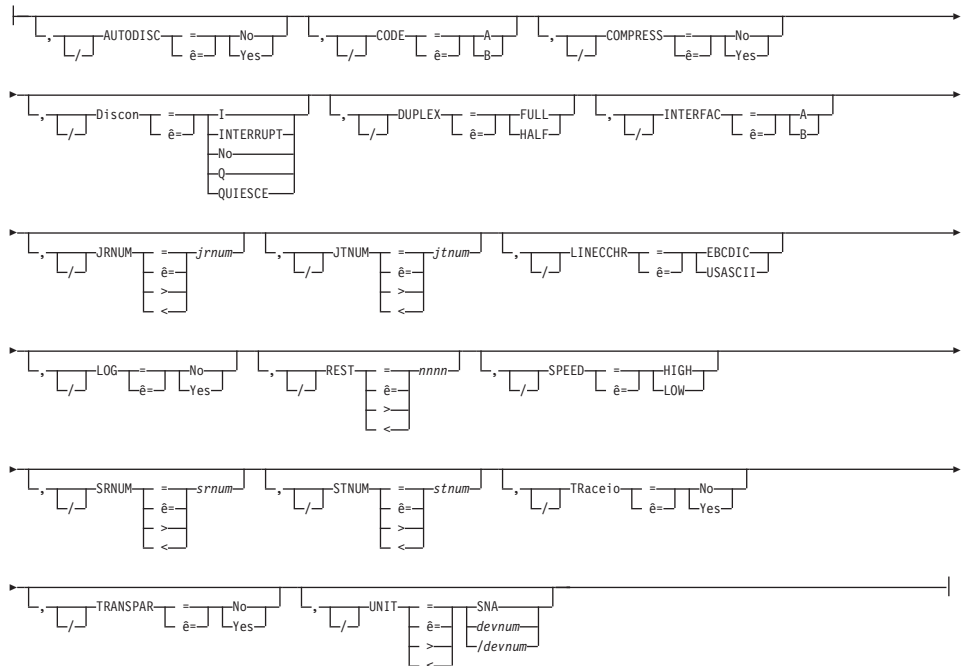


\$ADD and \$T Modification Keywords:





\$T Only Selection Limiting Keywords:



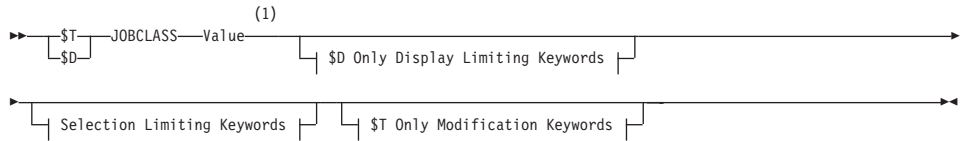
\$T Only Modification Keywords:



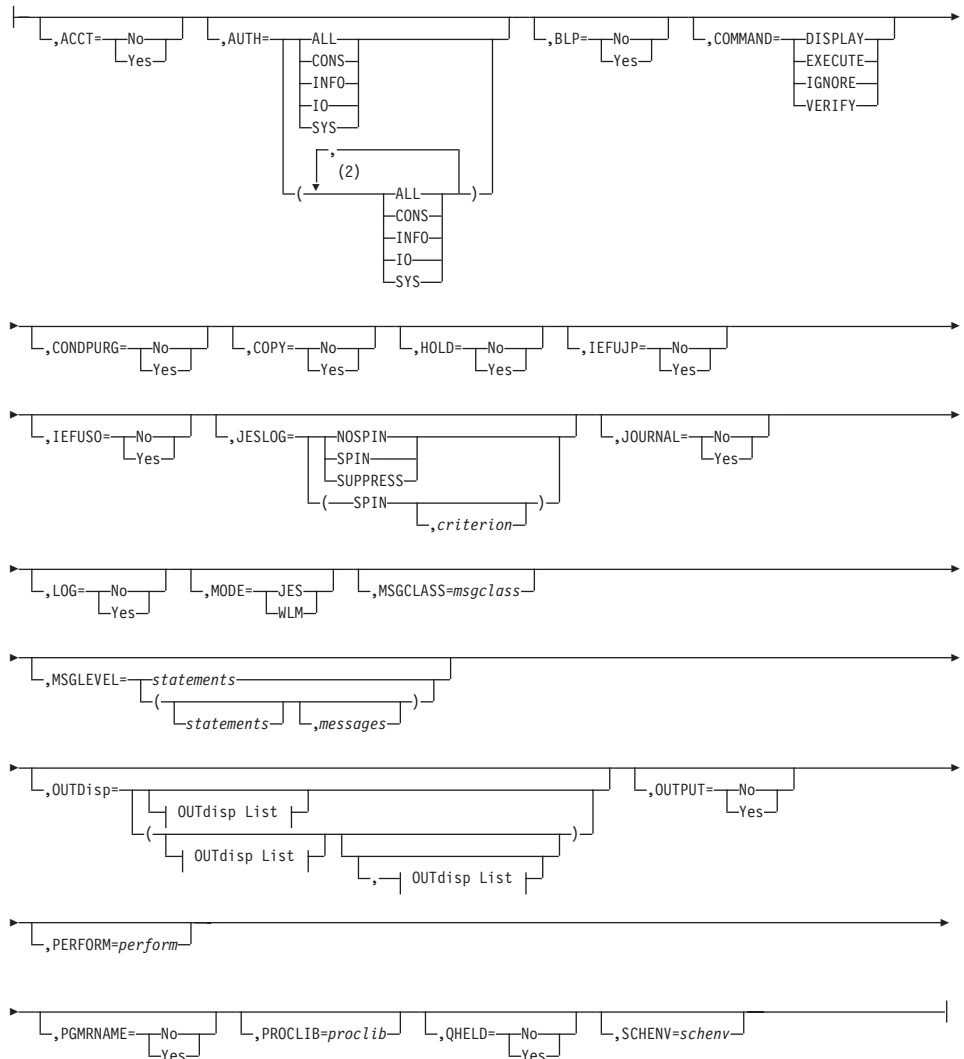
Notes:

- 1 See "JES2 Commands Common Syntax Elements" on page 6.

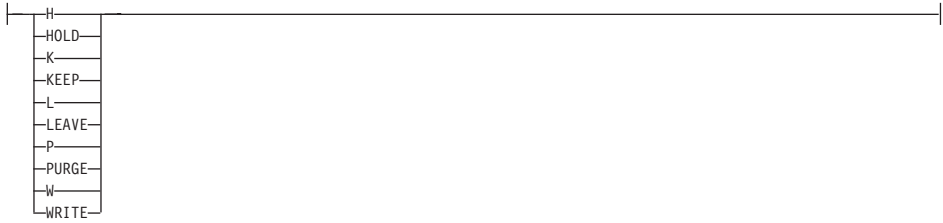
\$T, \$D JOBCLASS(n)



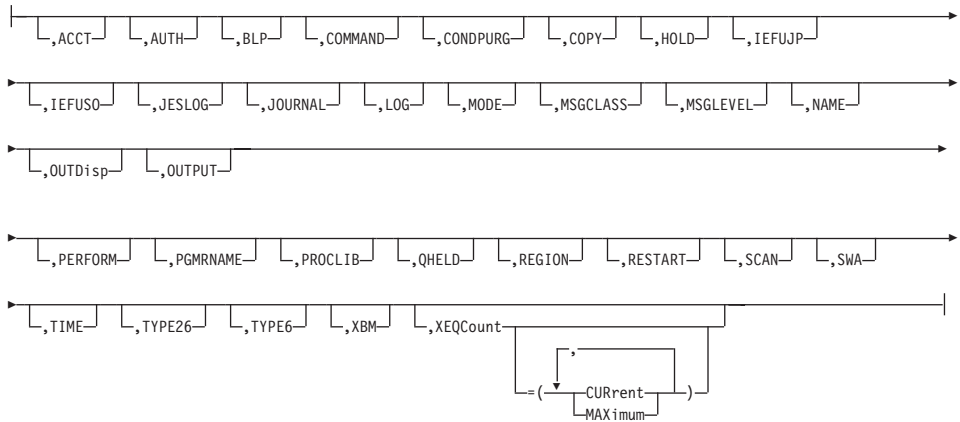
\$T Only Modification Keywords:



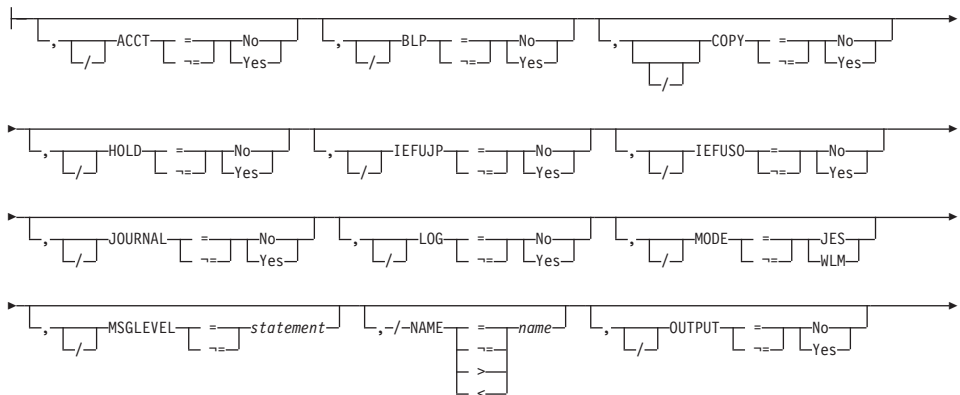
OUTdisp List:

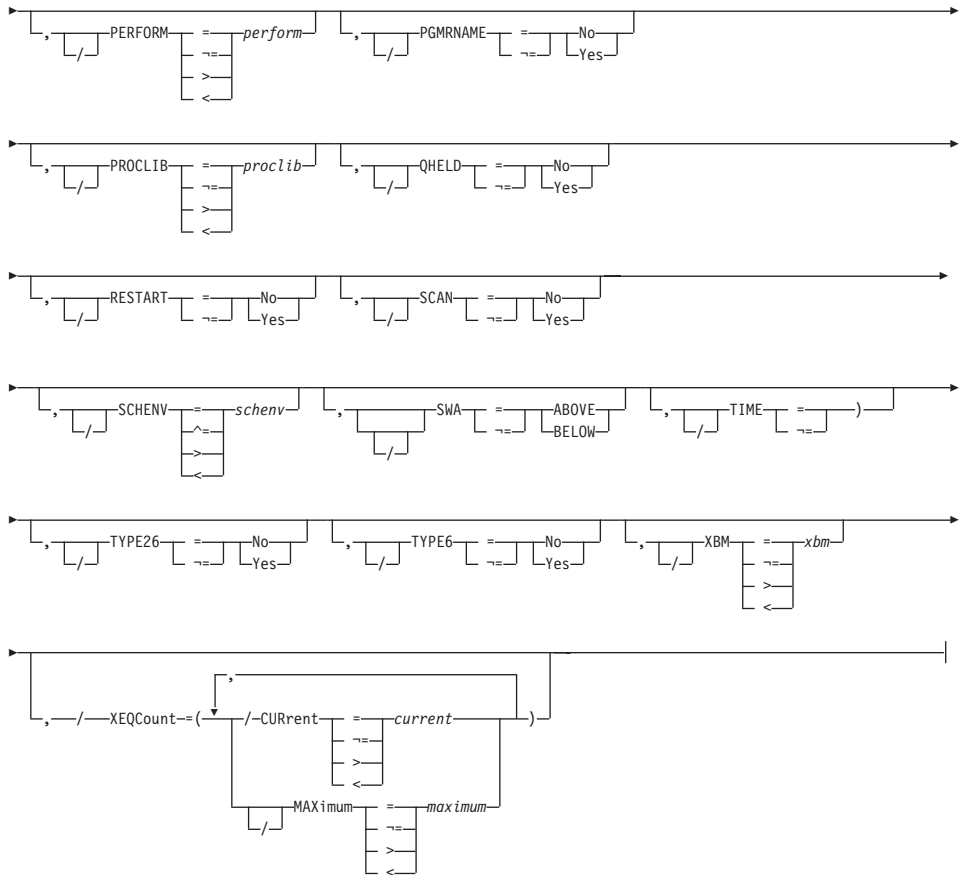


\$D Only Display limiting keywords:



Selection limiting keywords:





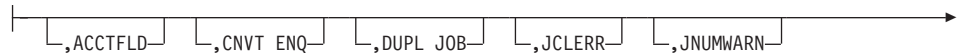
Notes:

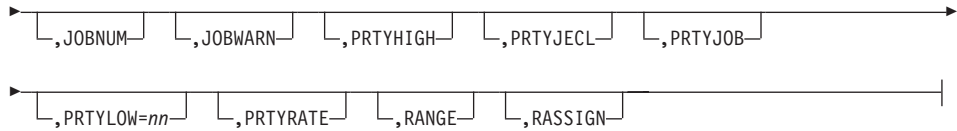
- 1 See “JES2 Commands Common Syntax Elements” on page 6 (Optional for \$D).
- 2 `auth` can be coded up to 4 times.

\$T, \$D JOBDEF

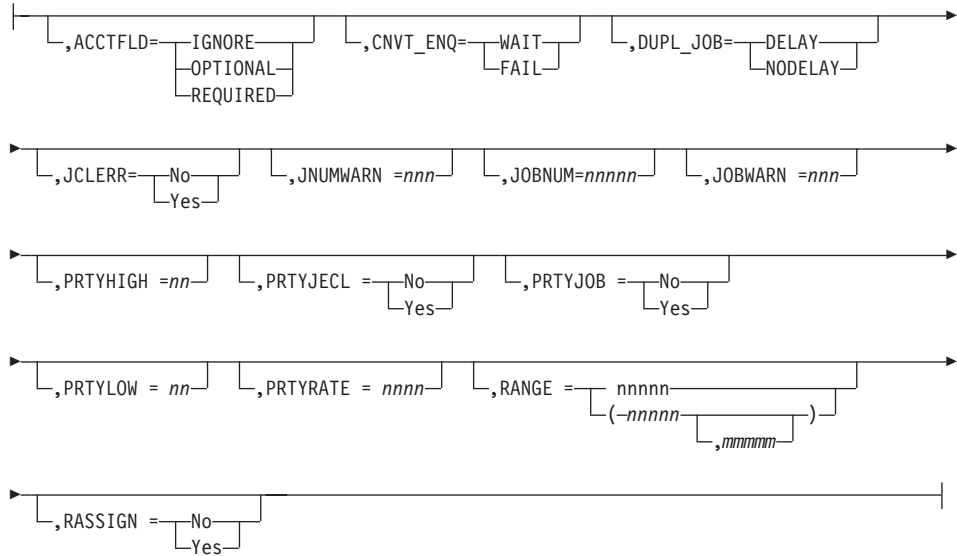


\$D ONLY Keywords:

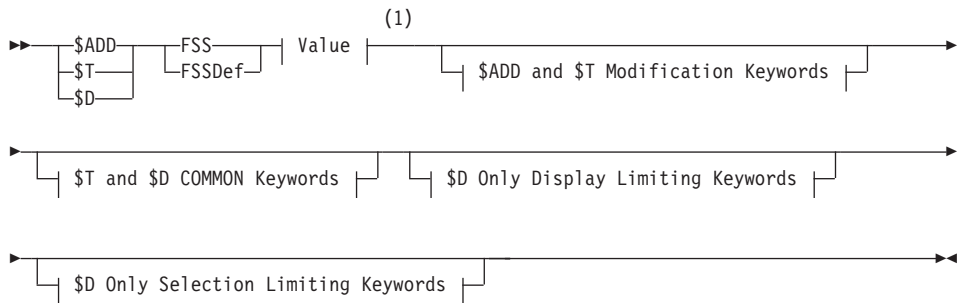




\$T Only Keywords:



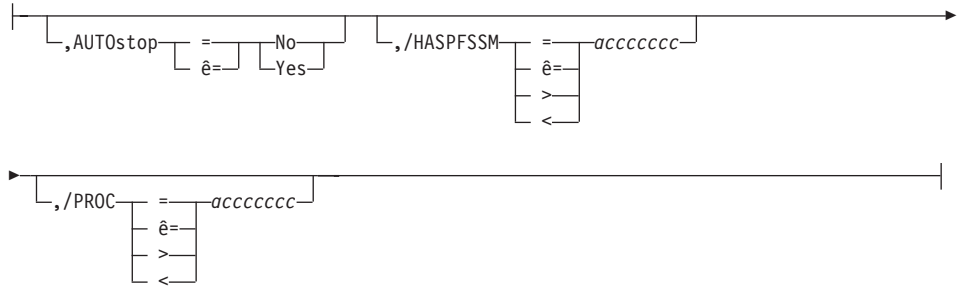
\$ADD, \$T, \$D FSS



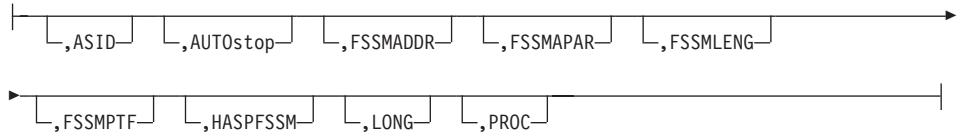
\$ADD and \$T Modification Keywords:



\$T and \$D COMMON Keywords:



\$D Only Display Limiting Keywords:



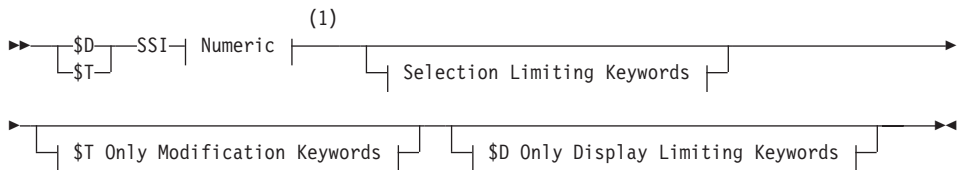
\$D ONLY Selection Limiting Keywords:



Notes:

- 1 See "JES2 Commands Common Syntax Elements" on page 6 (optional for \$D).

\$D, \$T, SSI



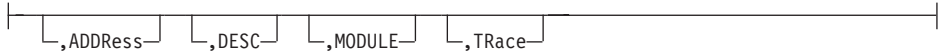
Selection Limiting Keywords:



\$T Only Modification Keywords:



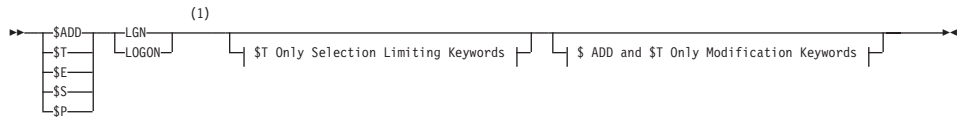
\$D Only Display Limiting Keywords:



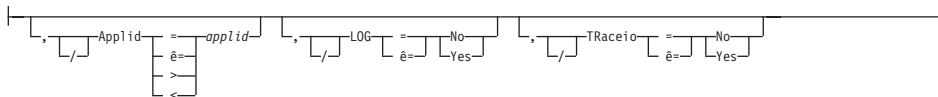
Notes:

- 1 See "JES2 Commands Common Syntax Elements" on page 6 (optional for \$D).

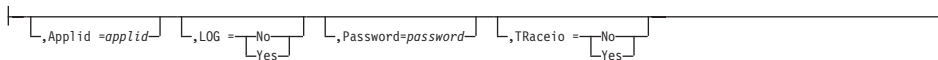
\$ADD, \$E, \$T, \$S, \$P LOGON(n)



\$T Only Selection Limiting Keywords:



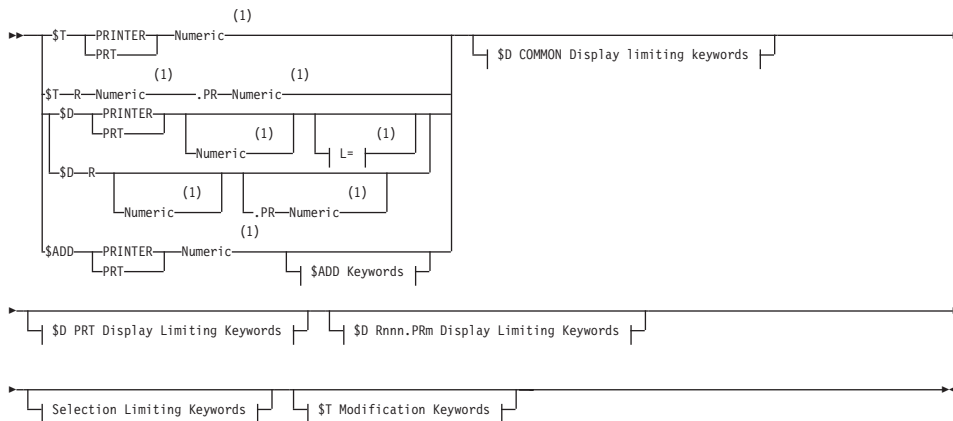
\$ADD and \$T Only Modification Keywords:



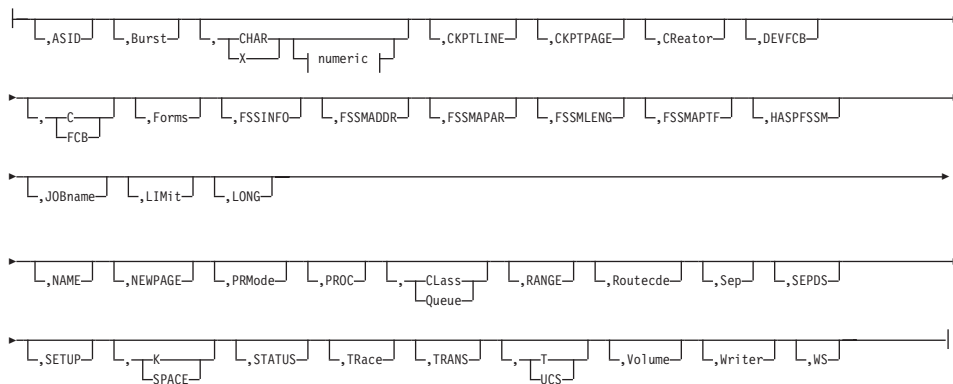
Notes:

- 1 See "JES2 Commands Common Syntax Elements" on page 6.

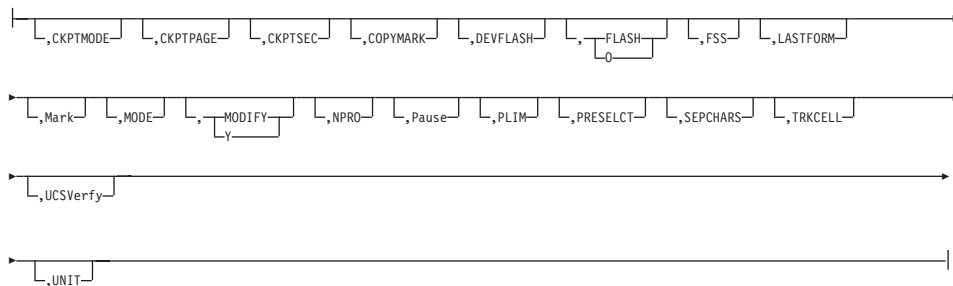
\$ADD, \$D, \$T Printer (PRINTERnnnn, PRTnnnn, Rnnnn.PRnnnn)



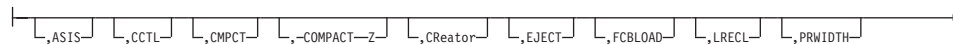
\$D COMMON Display Limiting Keywords:



\$D PRT Display limiting keywords:

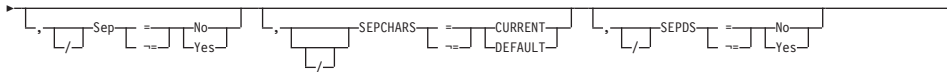
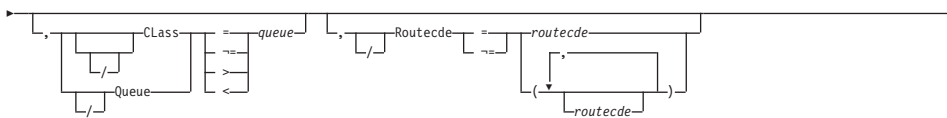
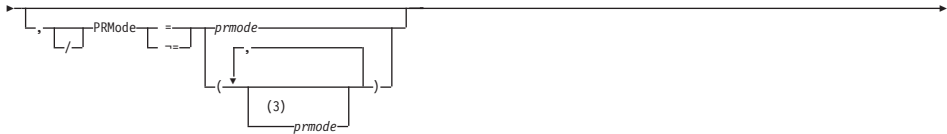
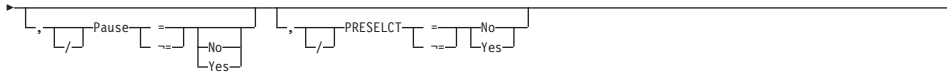
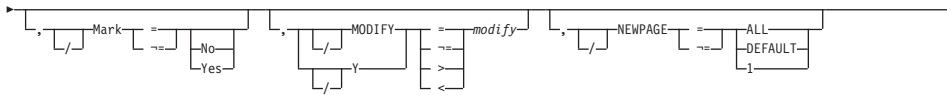
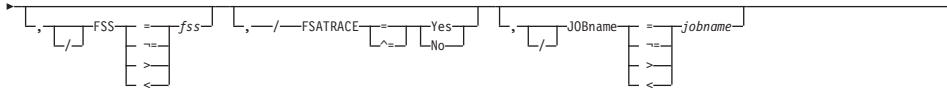
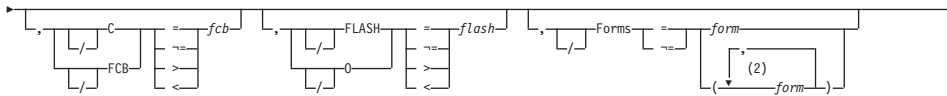
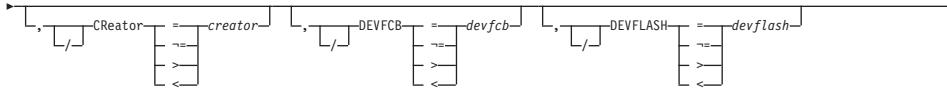
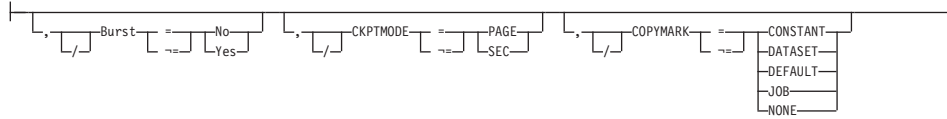


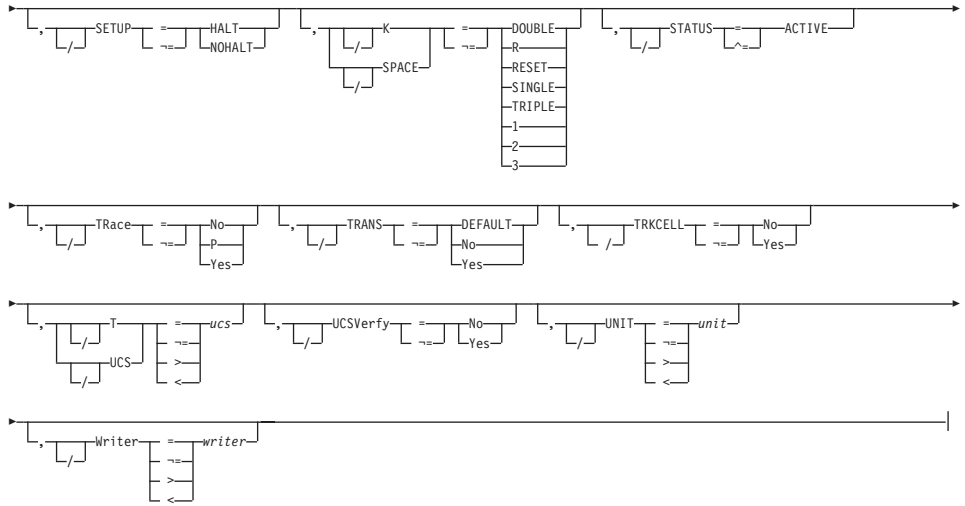
\$D Rnnn.PRm Display limiting keywords:



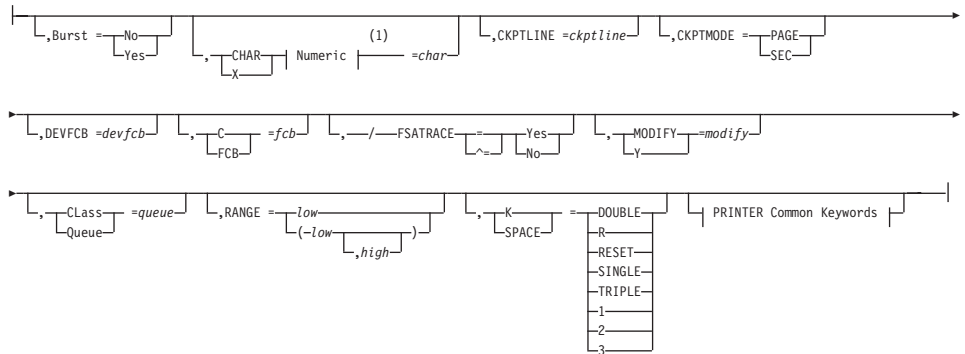


Selection limiting keywords:

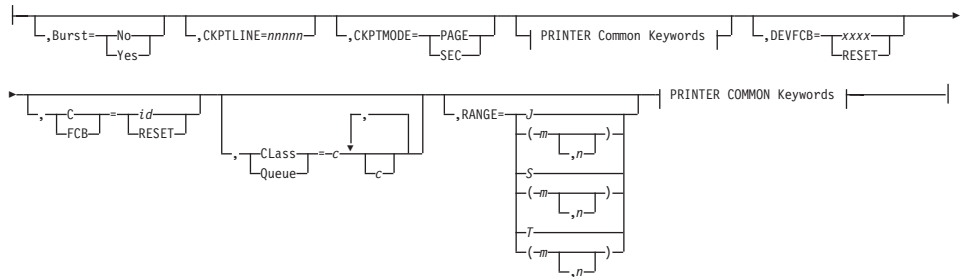




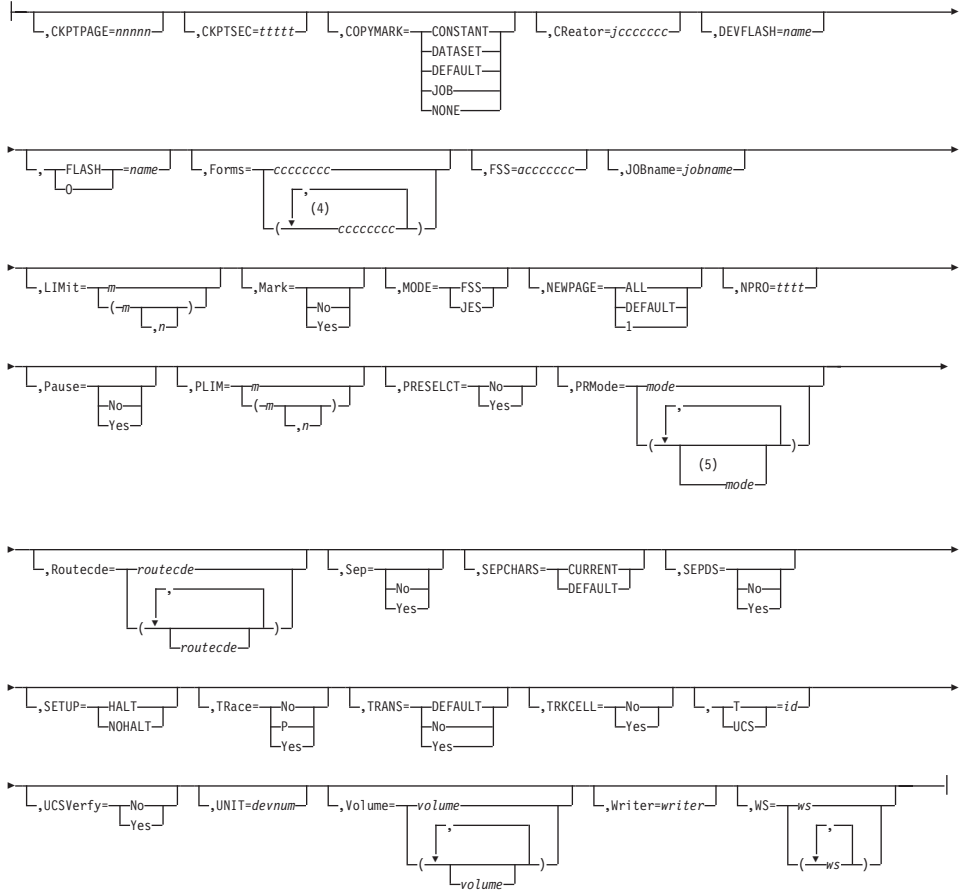
\$T Modification keywords:



\$ADD Keywords:



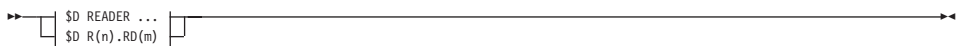
PRINTER Common Keywords:



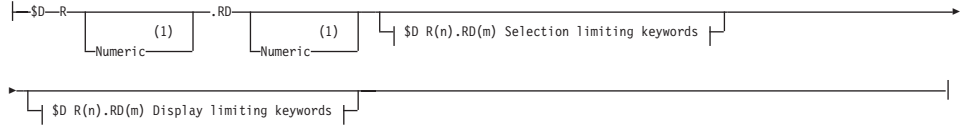
Notes:

- 1 See "JES2 Commands Common Syntax Elements" on page 6.
- 2 *form* can be coded up to 8 times.
- 3 *prmode* can be coded up to 8 times.
- 4 *form* can be coded up to 8 times.
- 5 *prmode* can be coded up to 8 times (*mode1,mode2,...,mode8*).

\$D RDR(nn) and \$D R(n).RD(m) - Display Command Authority for a Reader, \$D RDI



\$D R(n).RD(m):



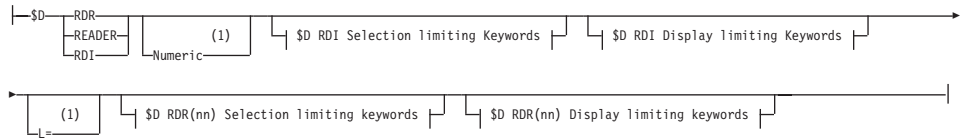
\$D R(n).RD(m) Display limiting keywords:



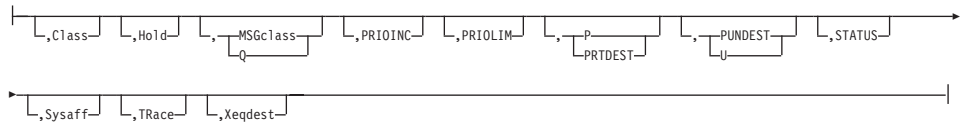
\$D R(n).RD(m) Selection limiting keywords:



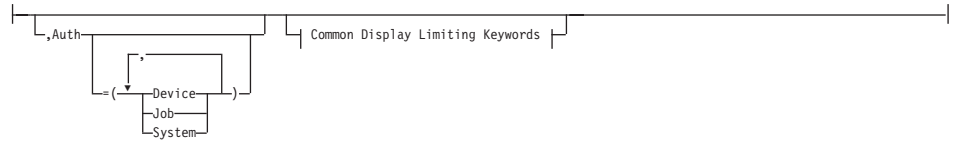
\$D READER ...:



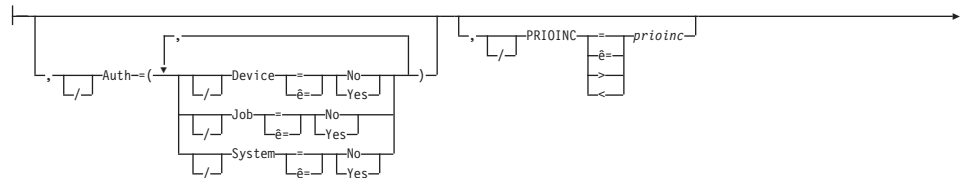
Common Display Limiting Keywords:

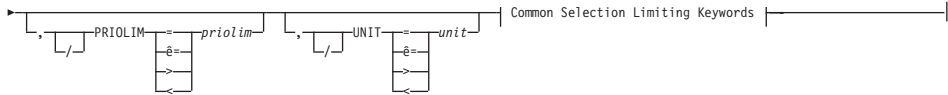


\$D RDR(nn) Display limiting keywords:

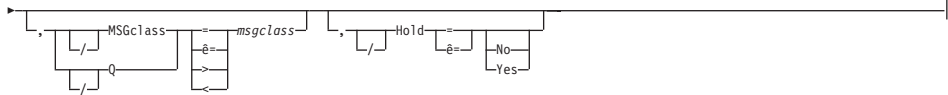
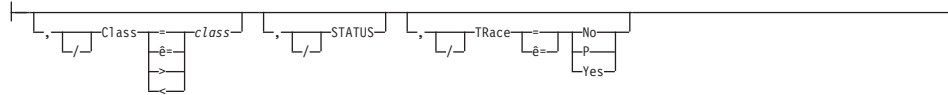


\$D RDR(nn) Selection limiting keywords:

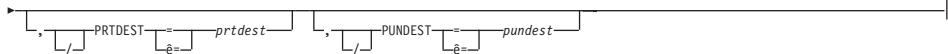
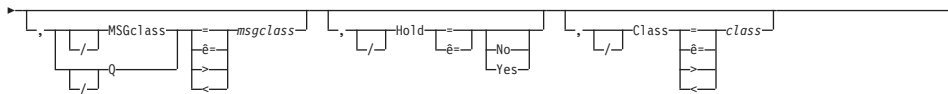
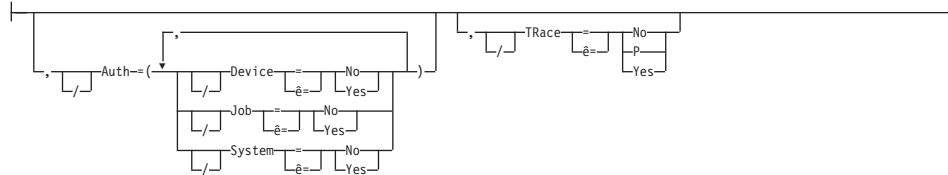




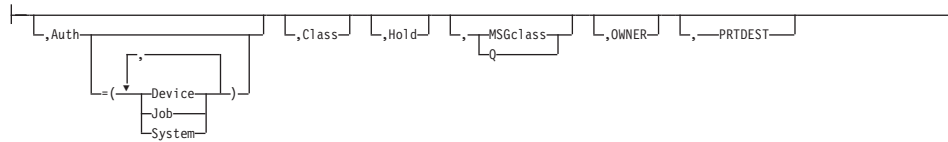
Common Selection Limiting Keywords:



\$D RDI Selection limiting Keywords:



\$D RDI Display limiting Keywords:



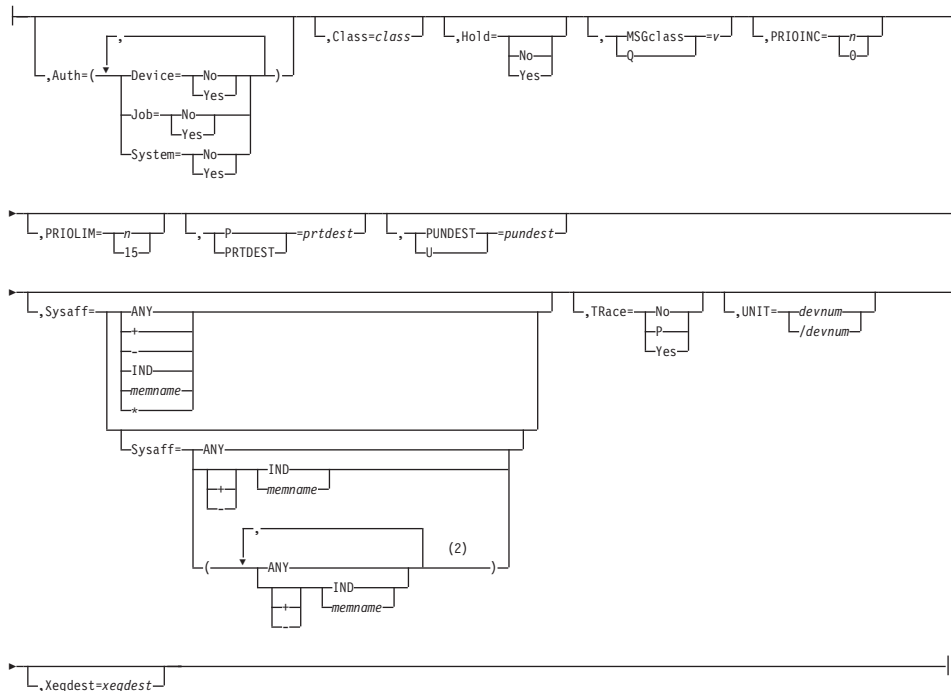
Notes:

- 1 See “JES2 Commands Common Syntax Elements” on page 6.

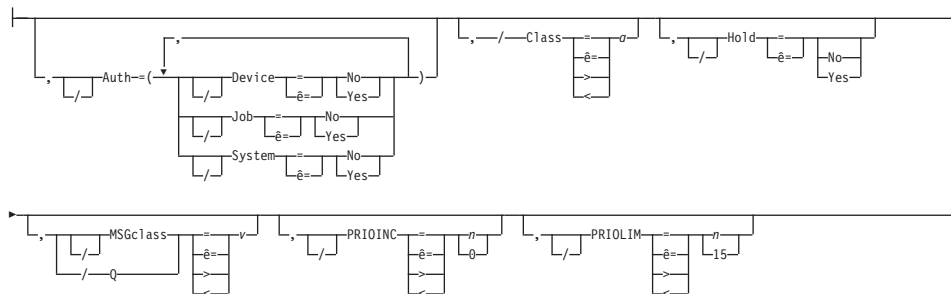
\$T RDRnn and \$T Rnnnn.RDm - Control a Reader

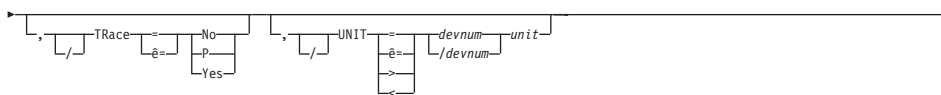


Modification keywords:



Selection limiting keywords:

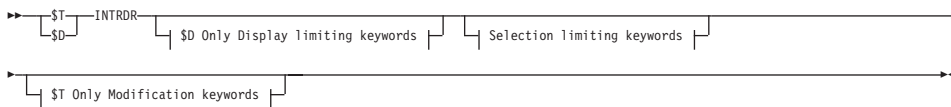




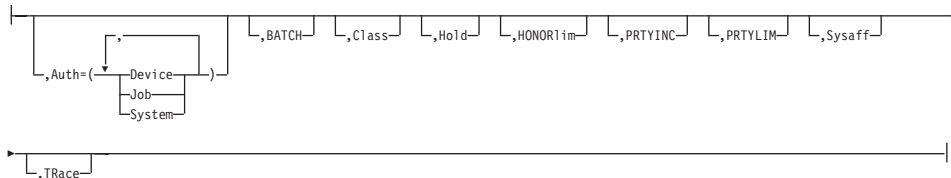
Notes:

- 1 See "JES2 Commands Common Syntax Elements" on page 6.
- 2 Multiple SYSAFF values can be coded up to 33 times

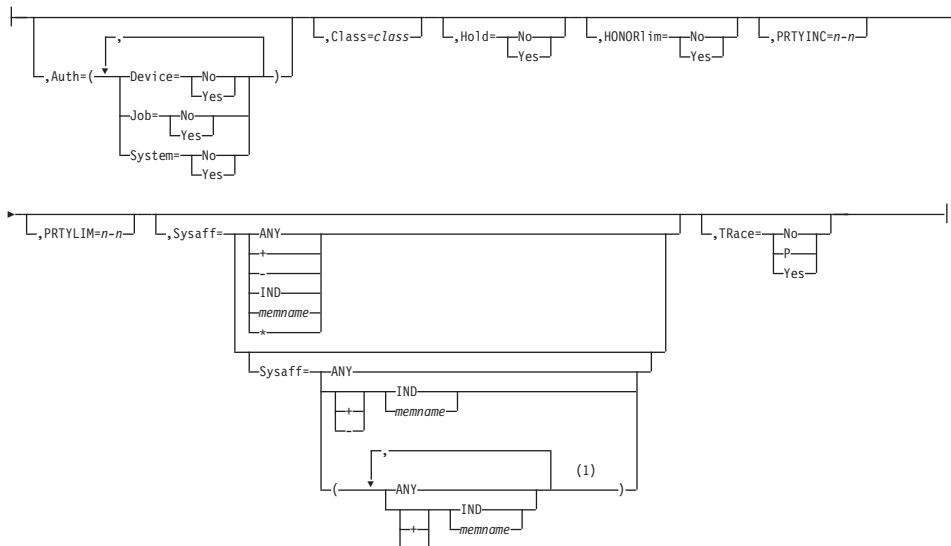
\$T INTRDR - Control Internal Readers



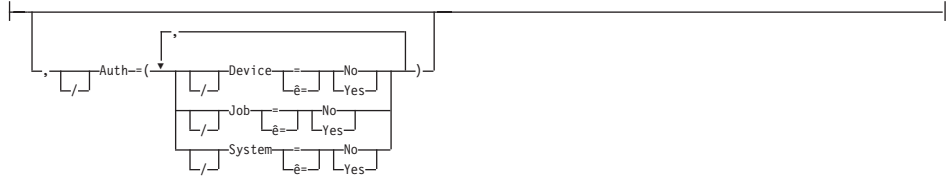
\$D Only Display Limiting keywords:



\$T Only Modification keywords:



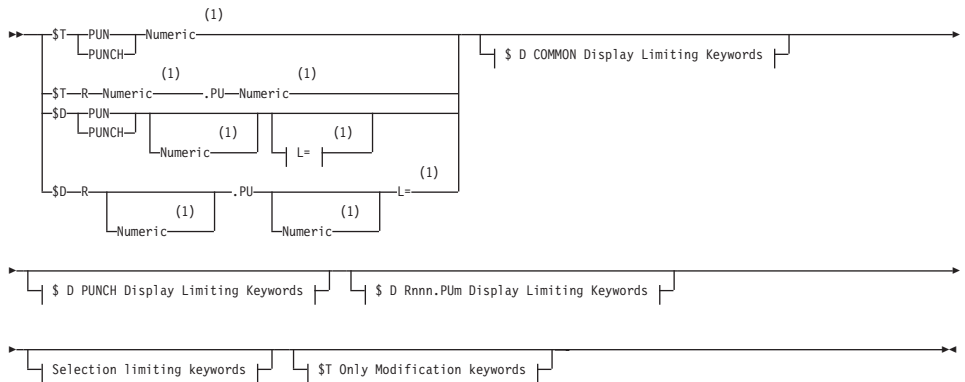
Selection limiting keywords:



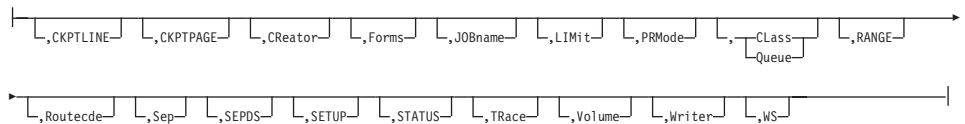
Notes:

- 1 Multiple SYSAFF values can be coded up to 33 times

\$T, \$D Punch (PUNCHnn, PUNnn, Rnnnn.PUm)



\$D COMMON Display limiting keywords:



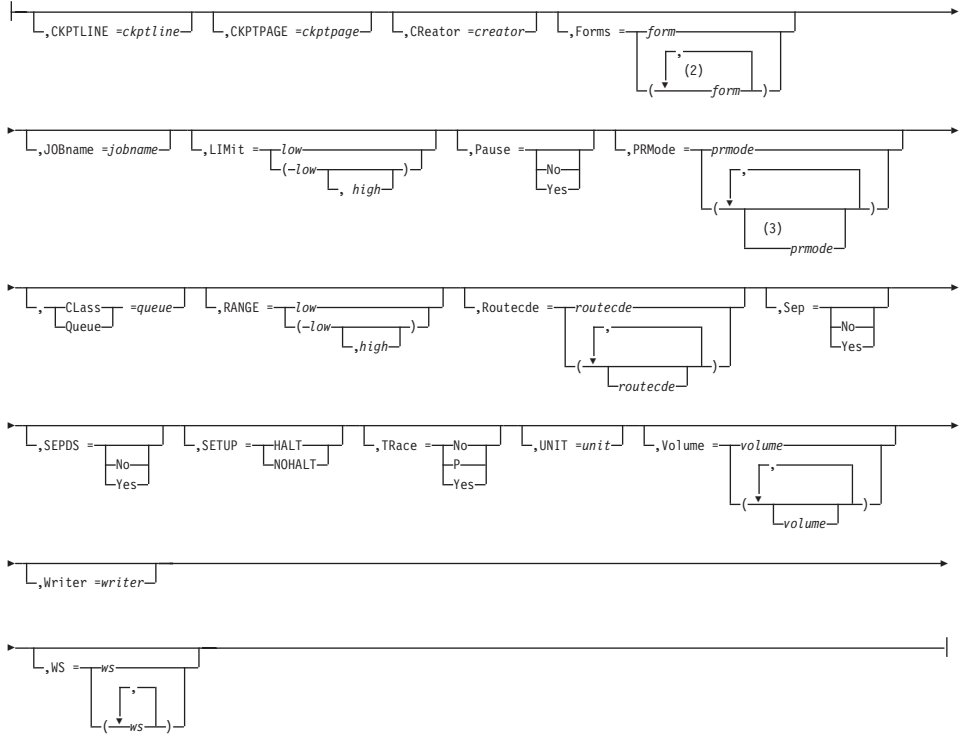
\$D PUNCH Display limiting keywords:



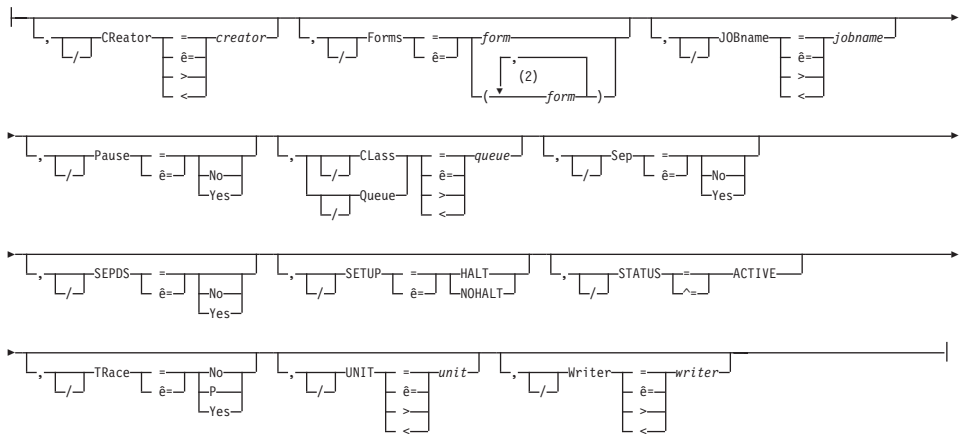
\$D Rnnn.PUm Display limiting keywords:



\$T Only Modification keywords:



Selection Keywords:

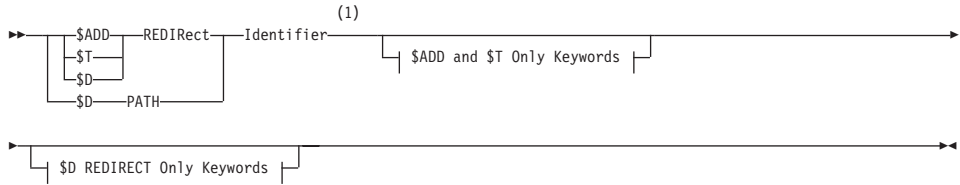


Notes:

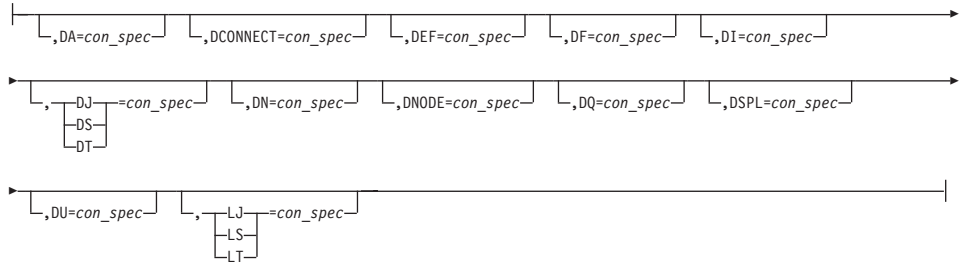
- 1 See "JES2 Commands Common Syntax Elements" on page 6.

- 2 *form* can be coded up to 8 times.
- 3 *prmode* can be coded up to 8 times.

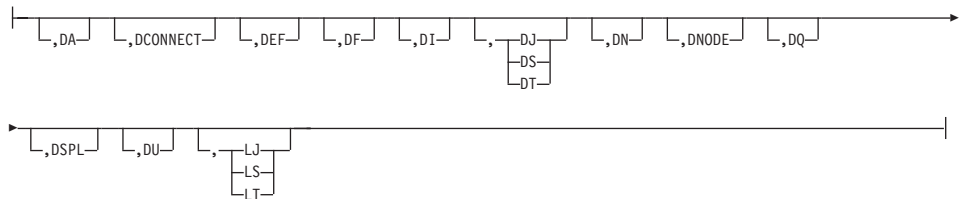
\$ADD, \$T , \$D REDIRECT, \$D PATH



\$ADD and \$T Only Keywords:



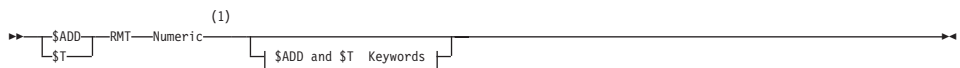
\$D REDIRECT ONLY Keywords:



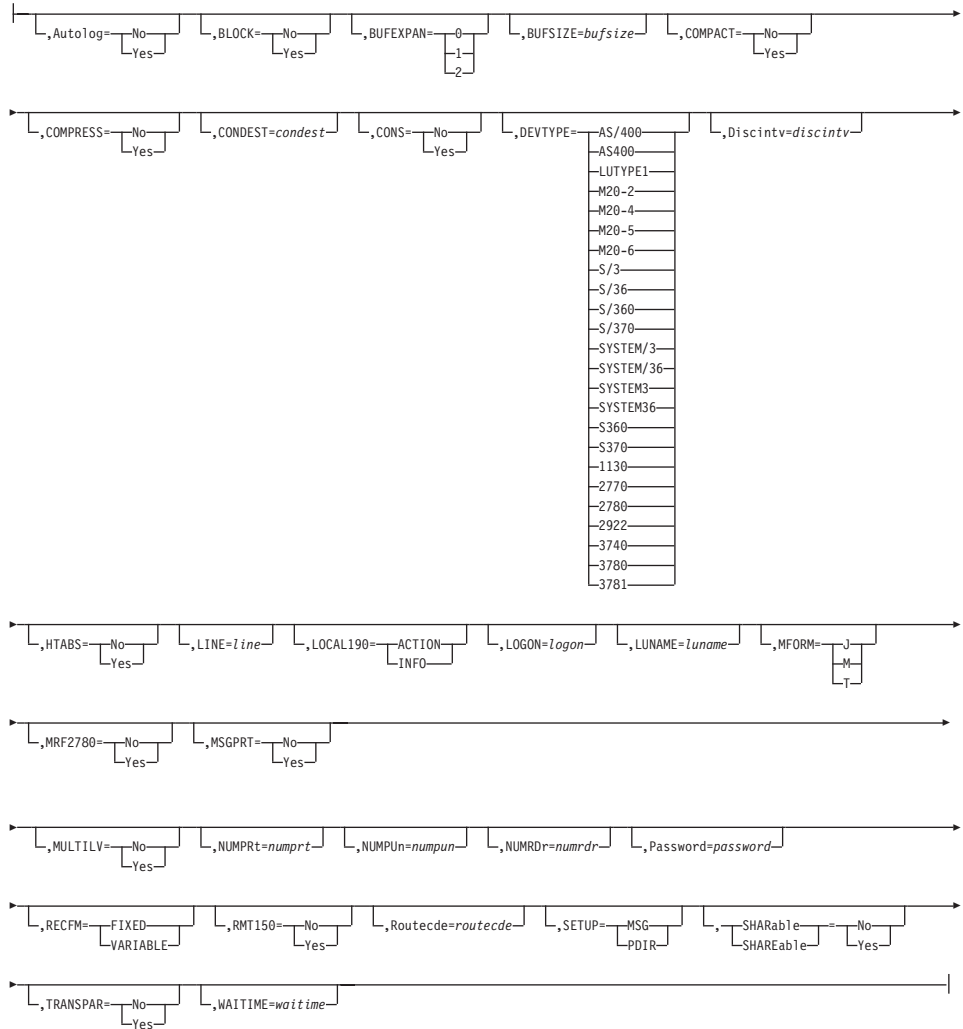
Notes:

- 1 See “JES2 Commands Common Syntax Elements” on page 6 (optional for \$D).

\$ADD, \$T RMT



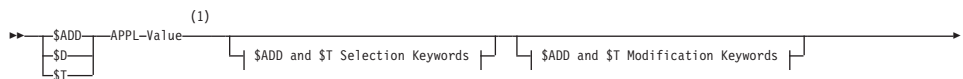
\$ADD and \$T Keywords:

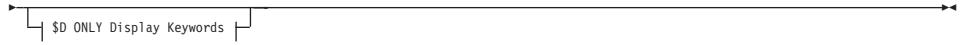


Notes:

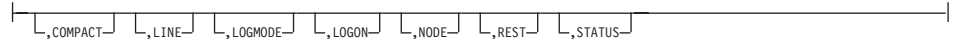
- 1 See "JES2 Commands Common Syntax Elements" on page 6.

\$ADD, \$D, \$T APPL

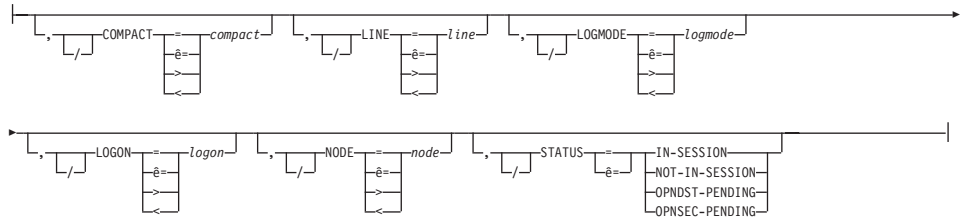




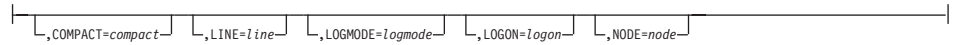
\$D ONLY Display Keywords:



\$ADD and \$T Selection Keywords:



\$ADD and \$T Modification Keywords:



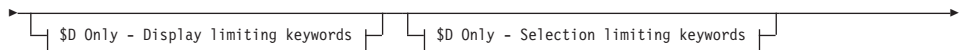
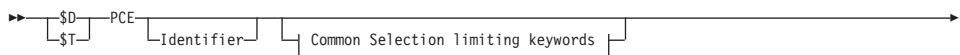
\$ADD Only Keywords:



Notes:

- 1 See "JES2 Commands Common Syntax Elements" on page 6 (optional for \$D).

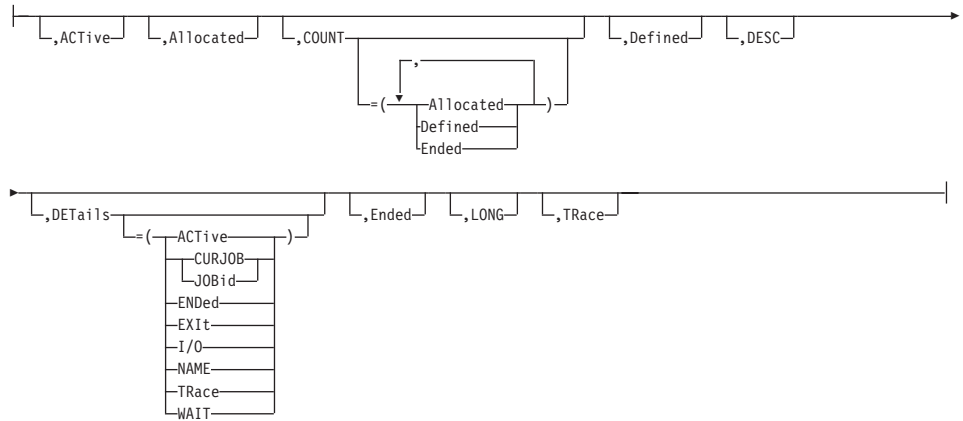
\$D, \$T PCE



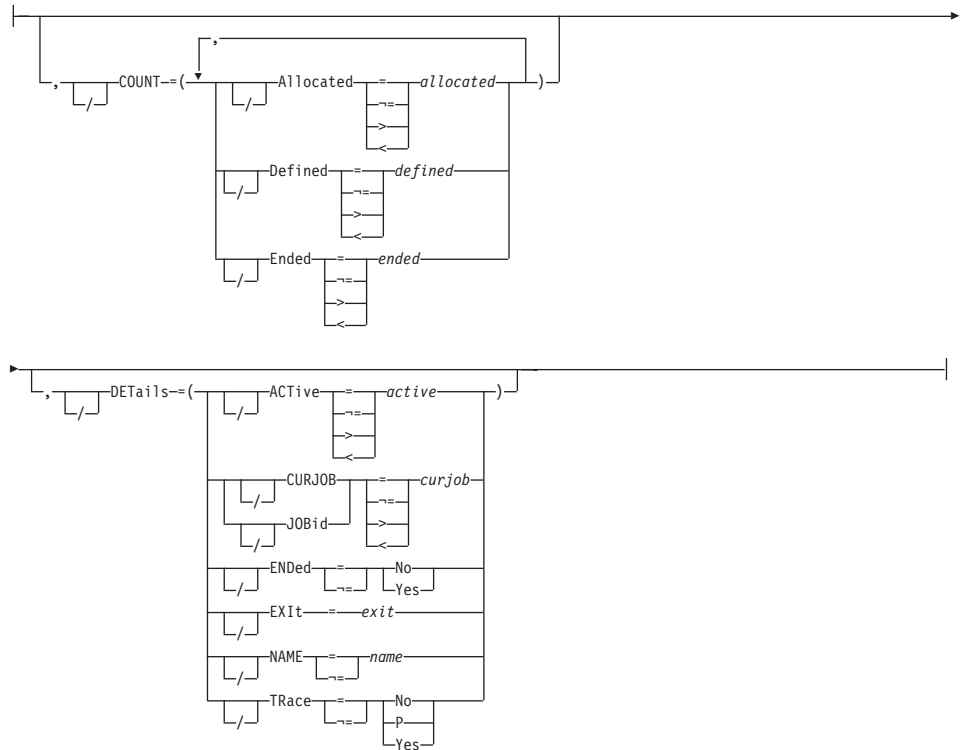
\$T Only - Modification keywords:



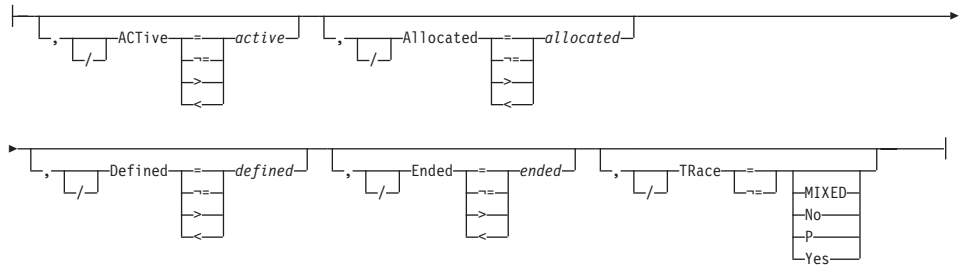
\$D Only - Display limiting keywords:



\$D Only - Selection limiting keywords:



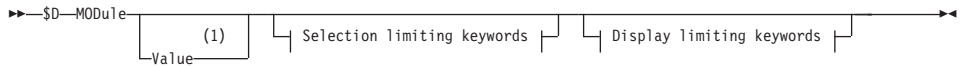
Common Selection limiting keywords:



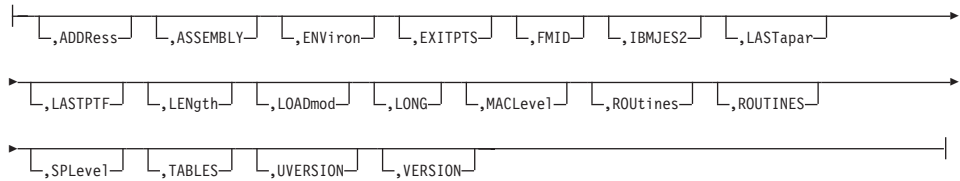
\$AA, \$HA Release/Hold Jobs



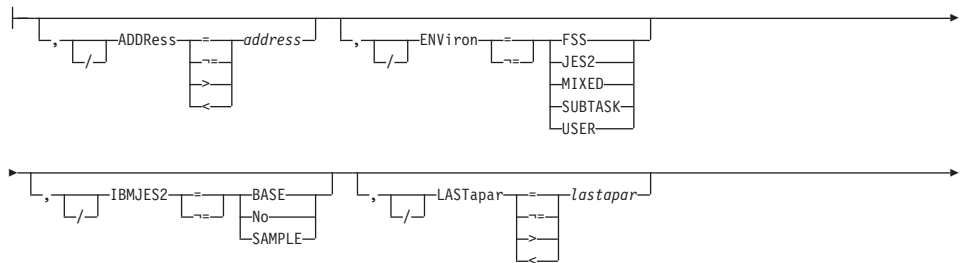
\$D MODULE(jxxxxxx) - Display Assembled Module Information

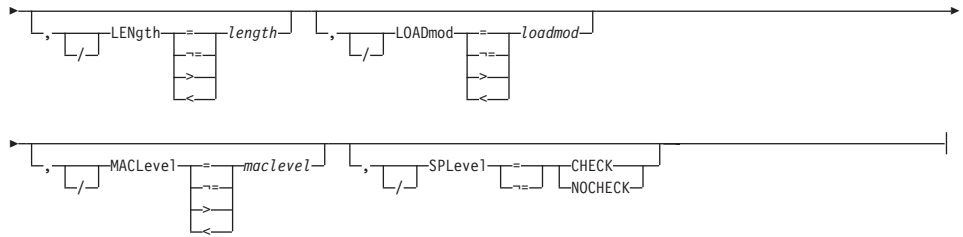


Display limiting keywords:



Selection limiting keywords:

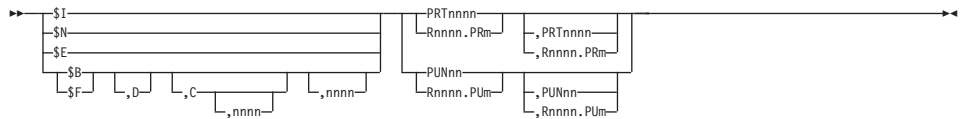




Notes:

- 1 See "JES2 Commands Common Syntax Elements" on page 6.

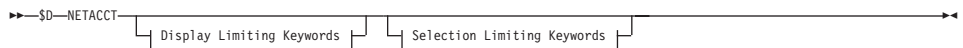
\$B, \$E, \$F, \$I, \$N Printer/Punch



\$C, \$S, \$P, \$Z Printer/Punch/Reader



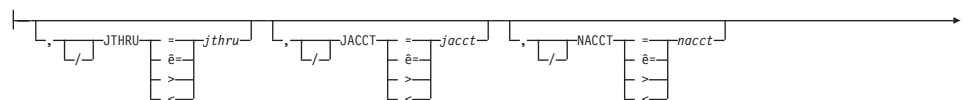
\$D NETACCT

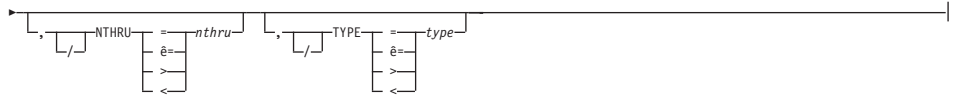


Display Limiting Keywords:

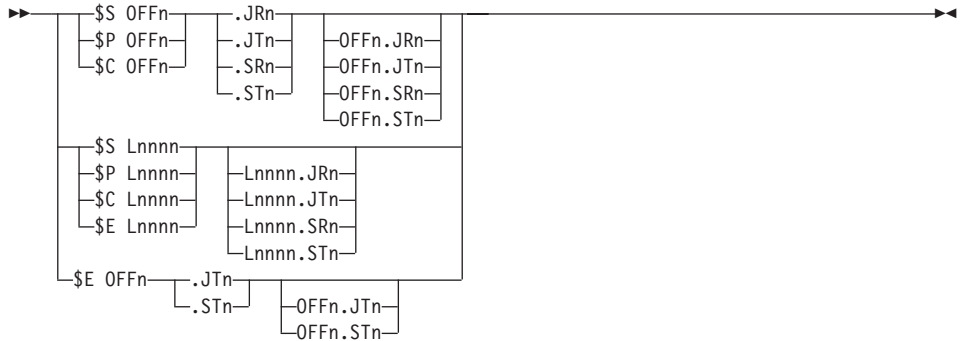


Selection Limiting Keywords:

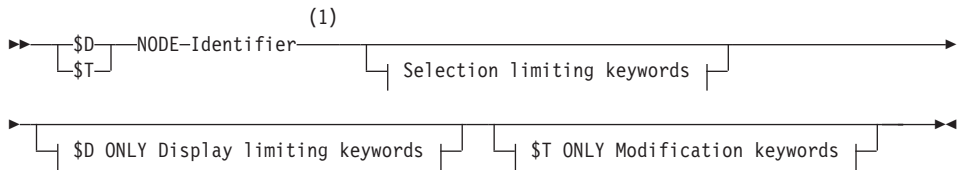




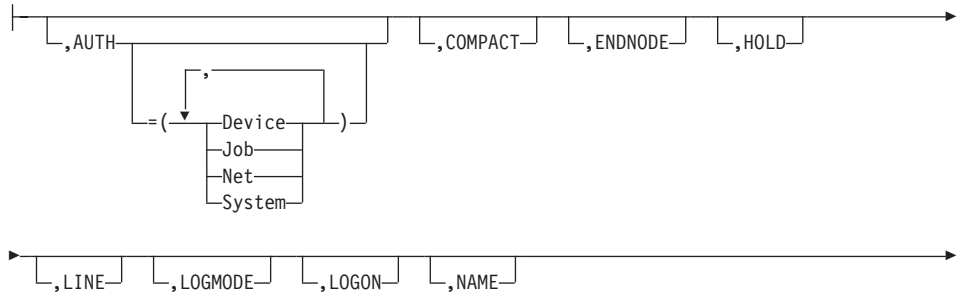
\$C, \$E, \$P, \$S NJE Device, Offload Transmitters and Receivers

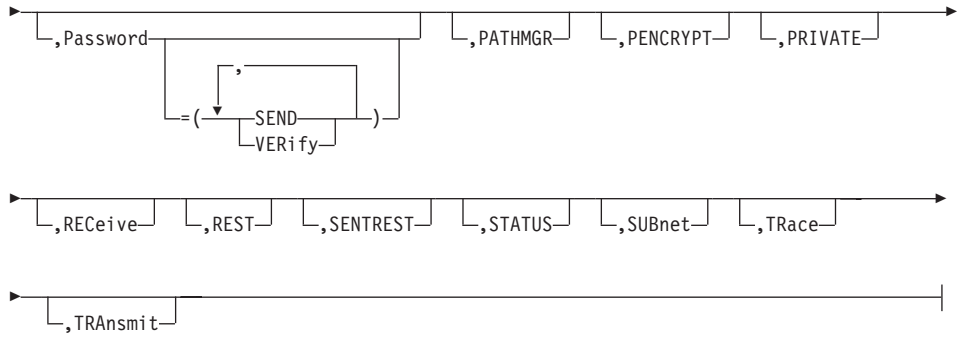


\$D, \$T NODE

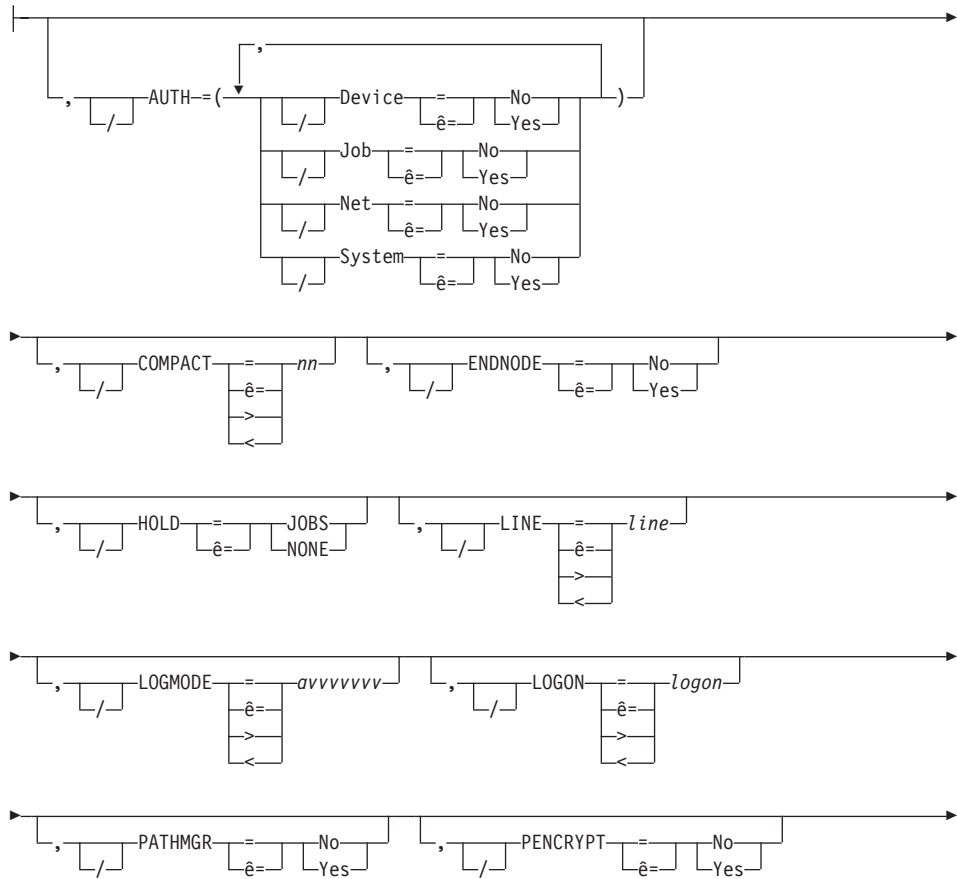


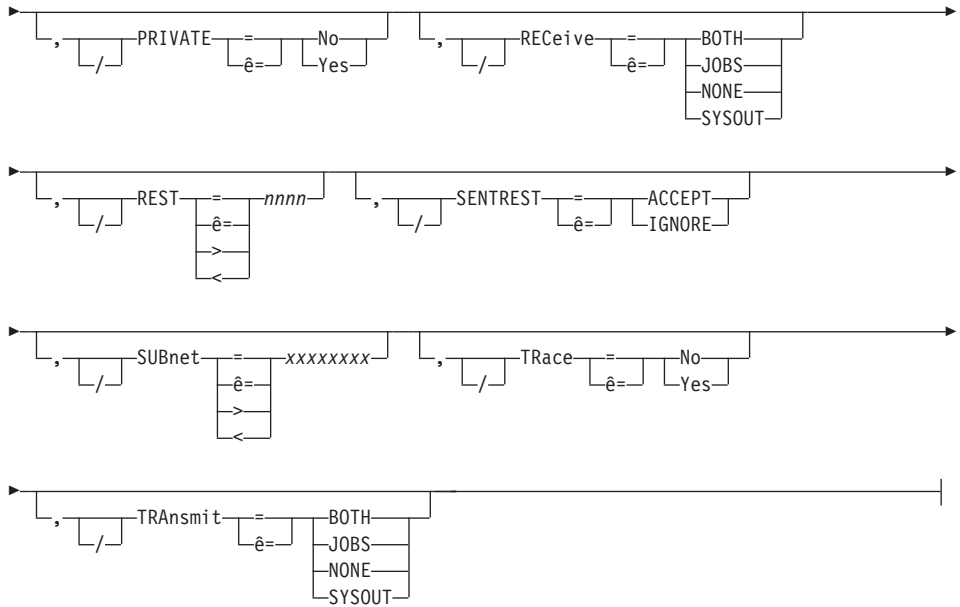
\$D ONLY Display limiting keywords:



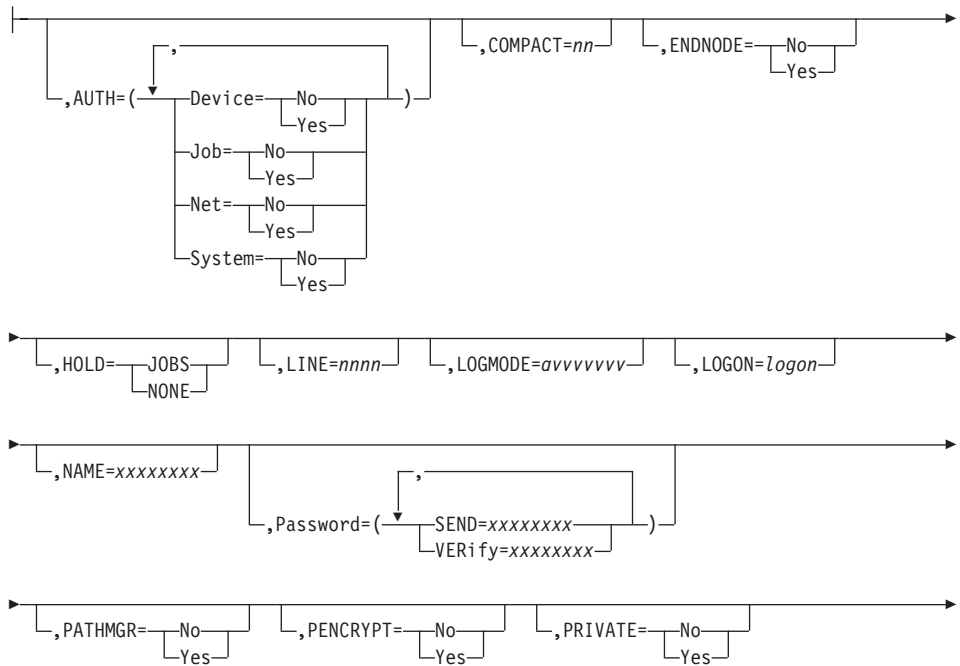


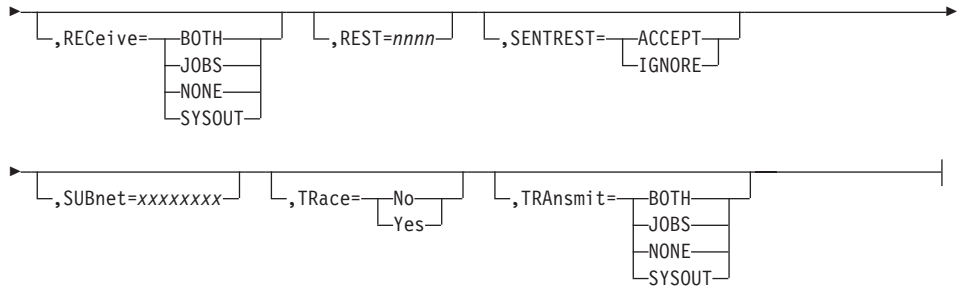
Selection limiting keywords:





\$T ONLY Modification keywords:

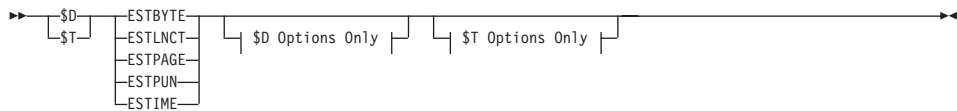




Notes:

- 1 See "JES2 Commands Common Syntax Elements" on page 6 (optional for \$D).

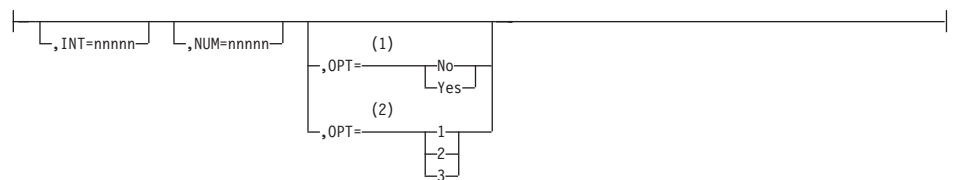
\$D, \$T ESTBYTE, ESTLNCT, ESTPAGE, ESTPUN, ESTIME



\$D Options Only:



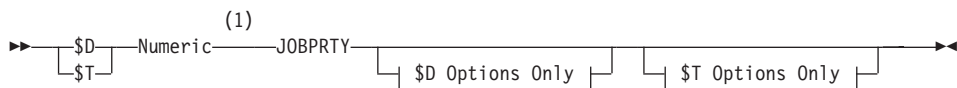
\$T Options Only:



Notes:

- 1 Use for only \$T ESTIME.
- 2 Use for all except \$T ESTIME.

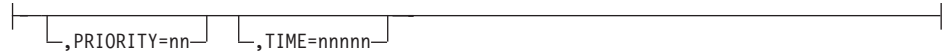
\$D, \$T JOBPRTY



\$D Options Only:



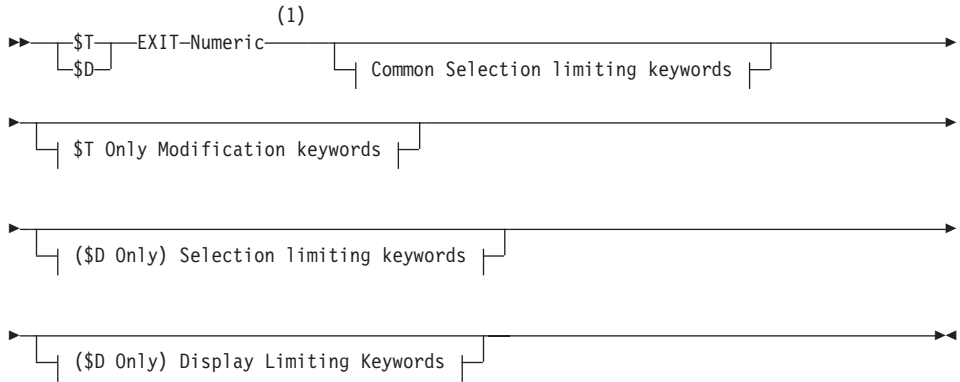
\$T Options Only:



Notes:

- 1 See "JES2 Commands Common Syntax Elements" on page 6 (optional for \$D).

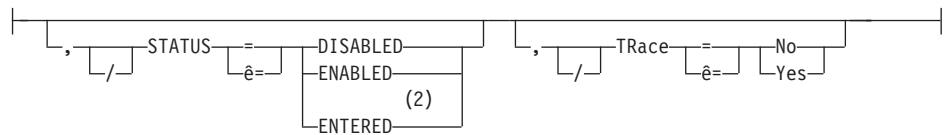
\$T , \$D EXITS



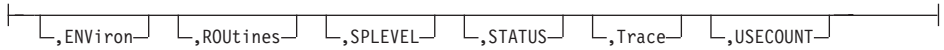
\$T Only Modification keywords:



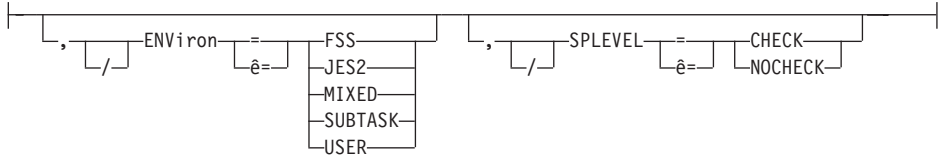
Common Selection limiting keywords:



(\$D Only) Display Limiting Keywords:



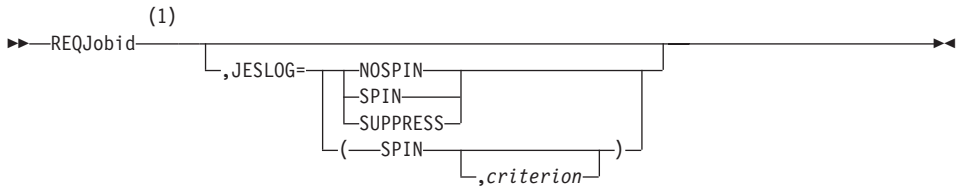
(\$D Only) Selection Limiting Keywords:



Notes:

- 1 See "JES2 Commands Common Syntax Elements" on page 6 (optional for \$D).
- 2 \$D only.

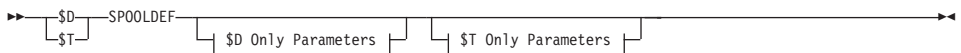
\$D, \$T REQJOBID



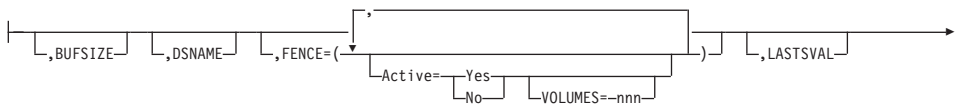
Notes:

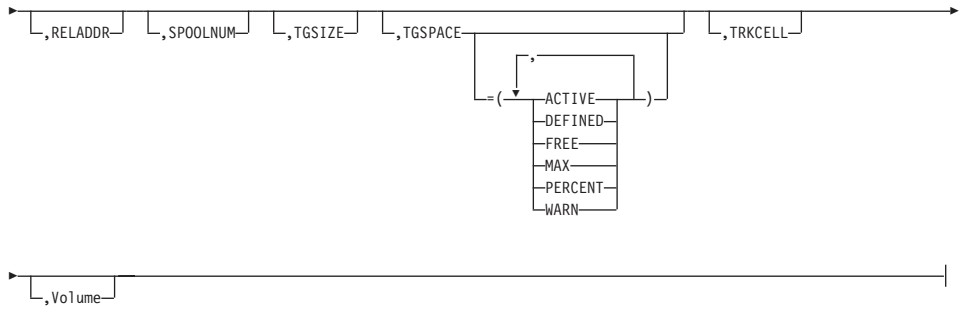
- 1 Omit the comma between initialization statement and first keyword

\$D, \$T SPOOLDEF

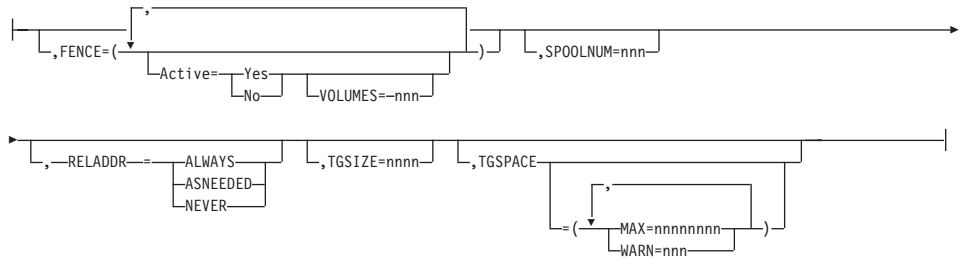


\$D Only Parameters:

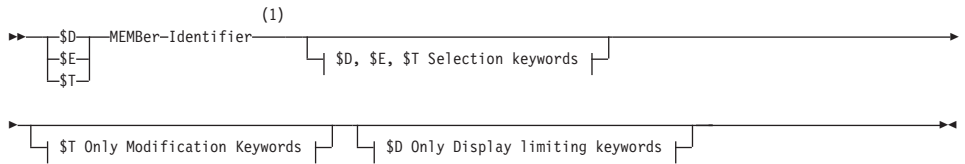




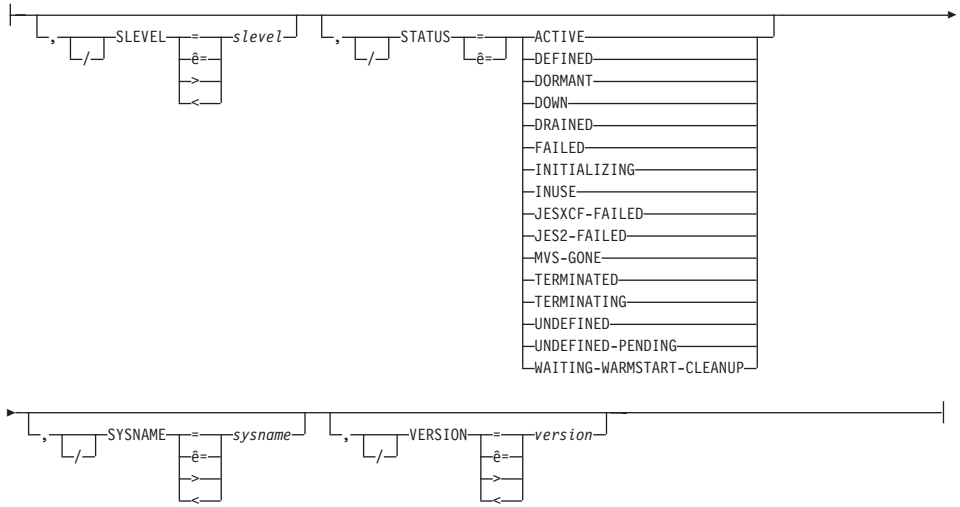
\$T Only Parameters:



\$D, \$E, \$T MEMBER



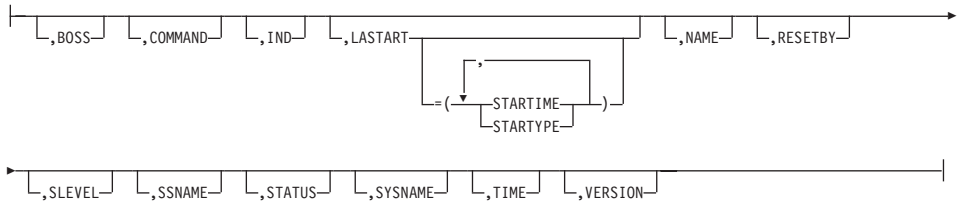
\$D, \$E, \$T Selection keywords:



\$T Only Modification Keywords:



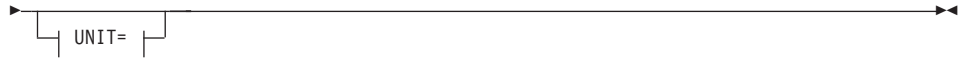
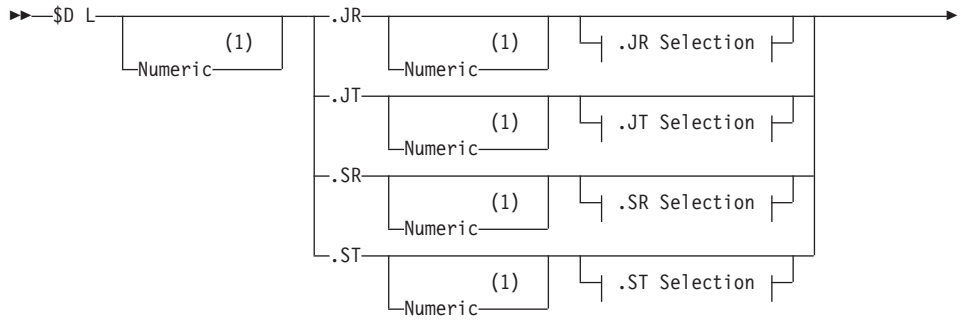
\$D Only Display limiting keywords:



Notes:

- 1 See "JES2 Commands Common Syntax Elements" on page 6 (optional for \$D).

\$D Transmitter/Receivers



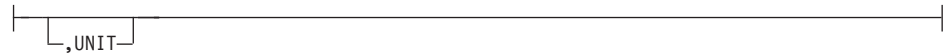
.JR Selection:



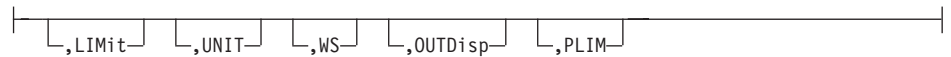
.JT Selection:



.SR Selection:



.ST Selection:



UNIT=:



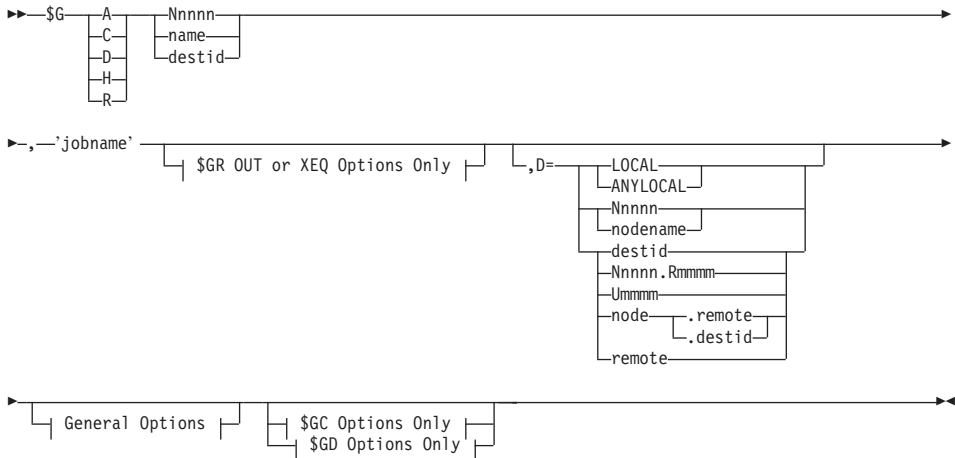
HOLD=:



Notes:

- 1 See "JES2 Commands Common Syntax Elements" on page 6.

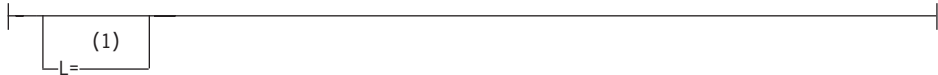
\$G Commands



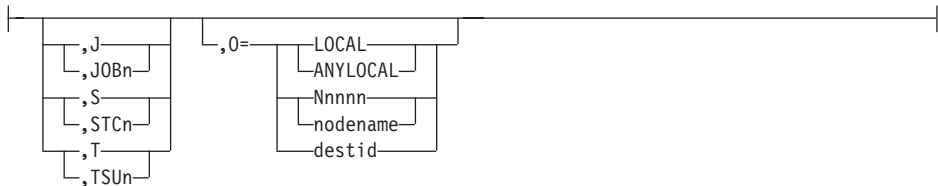
\$GC Options Only:



\$GD Options Only:



General Options:



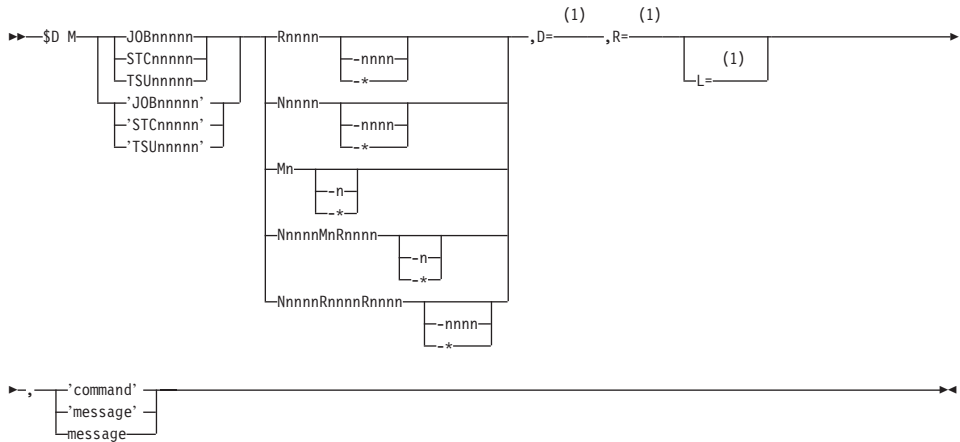
\$GR OUT or XEQ Options Only:



Notes:

- 1 See "JES2 Commands Common Syntax Elements" on page 6.

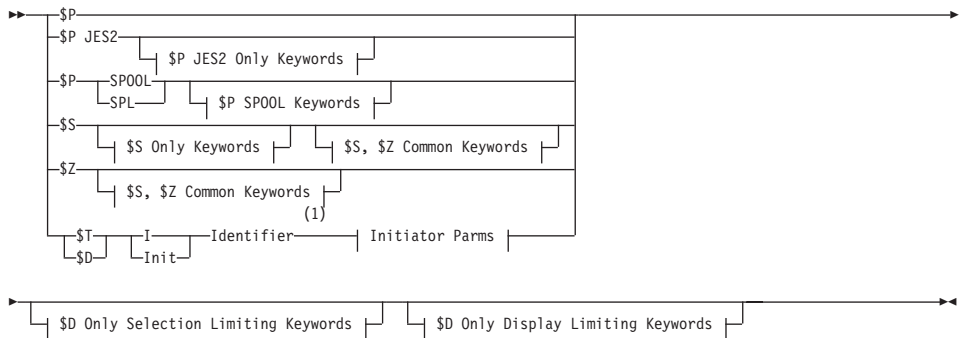
\$D M - Send Command



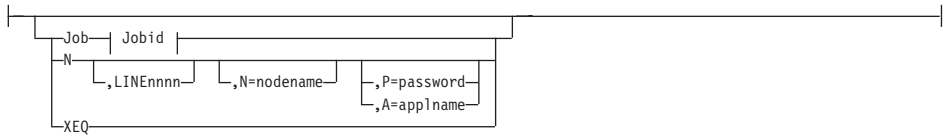
Notes:

- 1 See "JES2 Commands Common Syntax Elements" on page 6.

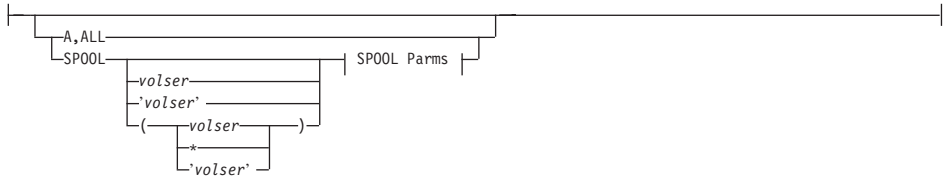
\$S, \$Z (A, I, Job, N, SPOOL, XEQ), \$P JES2, \$T I, \$D I



\$\$ Only Keyword:



\$\$, \$Z Common Keywords:



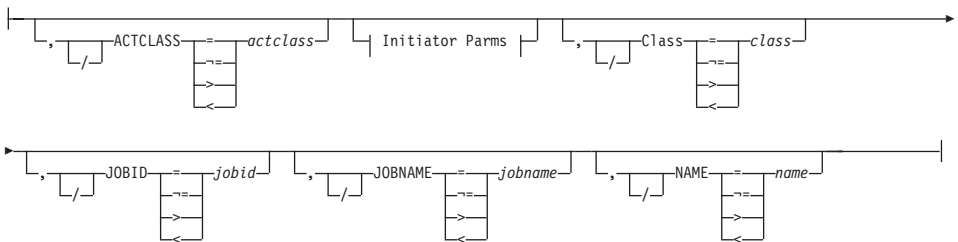
\$P SPOOL Keywords:



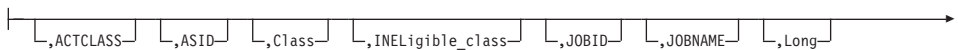
\$P JES2 Only Keywords:



\$D ONLY Selection Limiting Keywords:

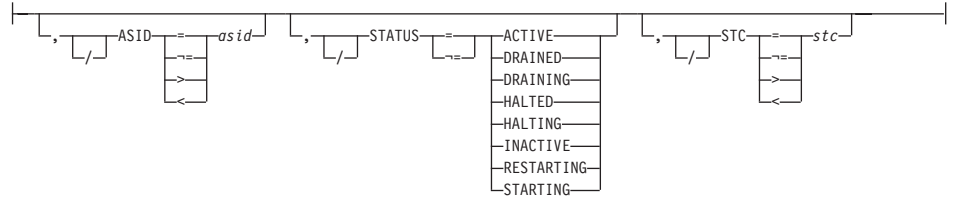


\$D Only Display Limiting Keywords:





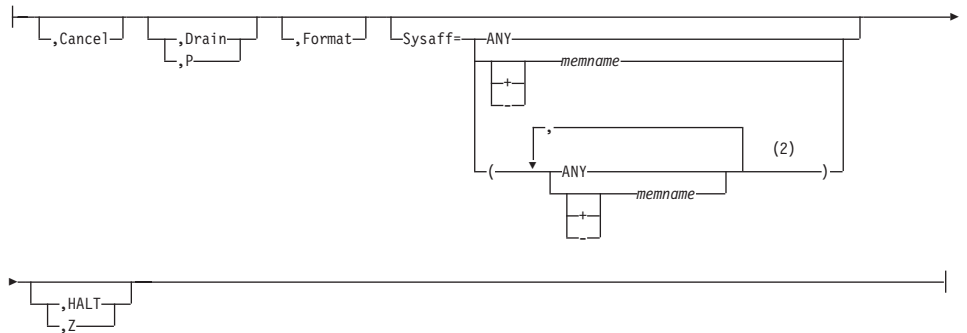
Initiator Parms:



Jobid:



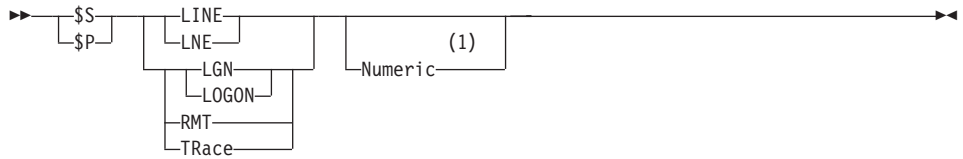
SPOOL Parms:



Notes:

- 1 See "JES2 Commands Common Syntax Elements" on page 6 (optional for \$D, \$S, \$Z).
- 2 Multiple SYSAFF values can be coded up to 33 times

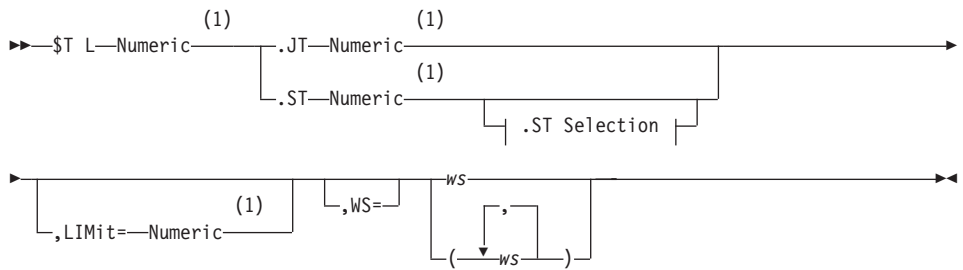
\$S, \$P Line, Logon, RMT, Trace



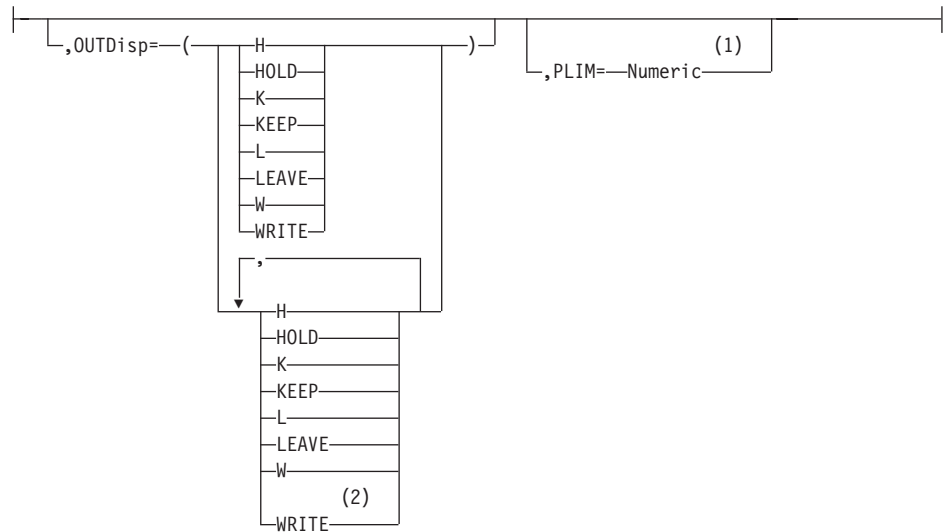
Notes:

- 1 See "JES2 Commands Common Syntax Elements" on page 6.

\$T Transmitter/Receivers



.ST Selection:

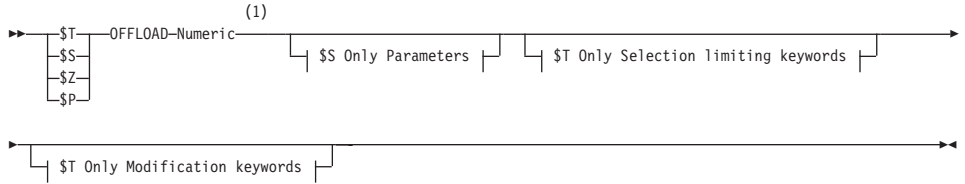


Notes:

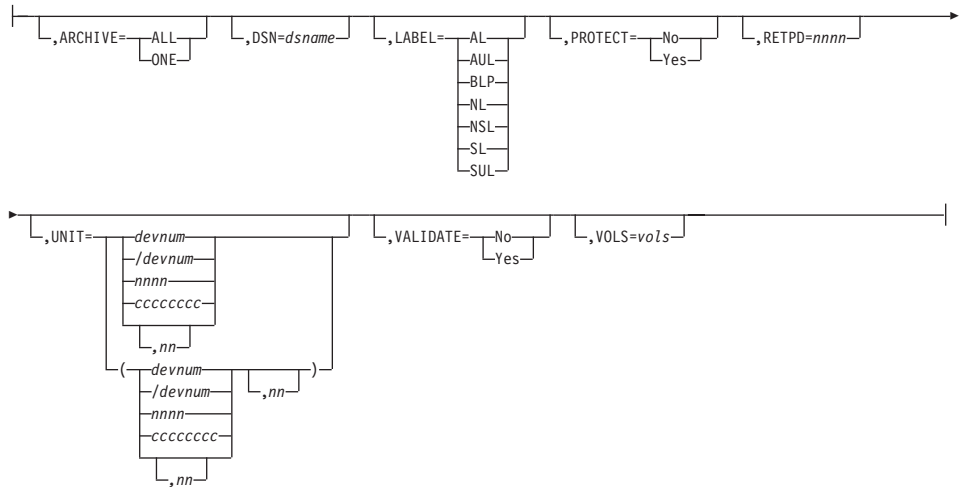
- 1 See "JES2 Commands Common Syntax Elements" on page 6.

2 OUTDisp can be coded up to 4 times.

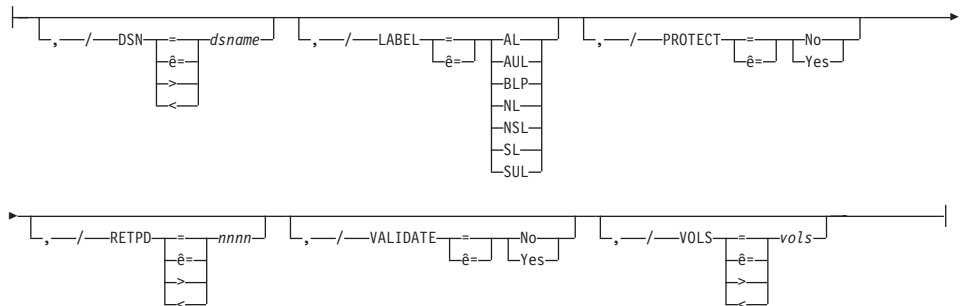
\$T, \$S, \$Z, \$P OFFLOAD(n)



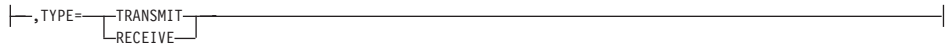
\$T Only Modification keywords:



\$T Only Selection limiting keywords:



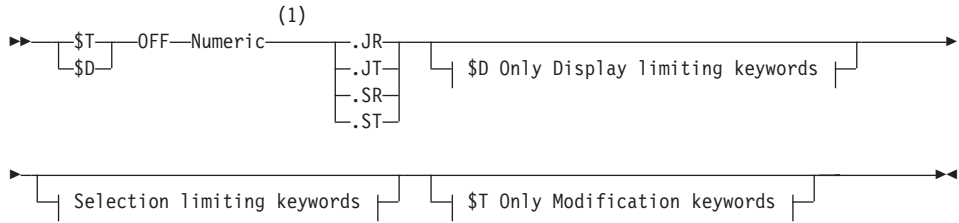
\$\$ Only Parameters:



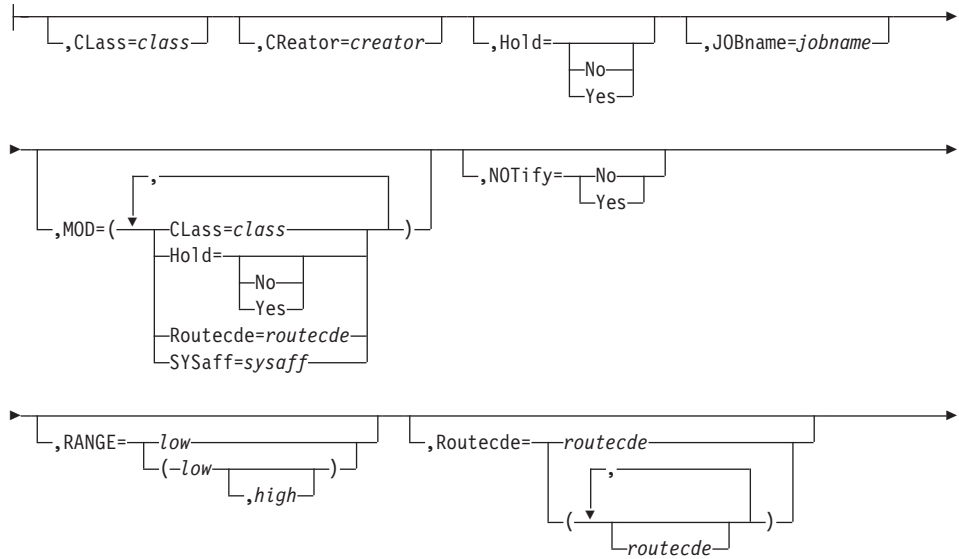
Notes:

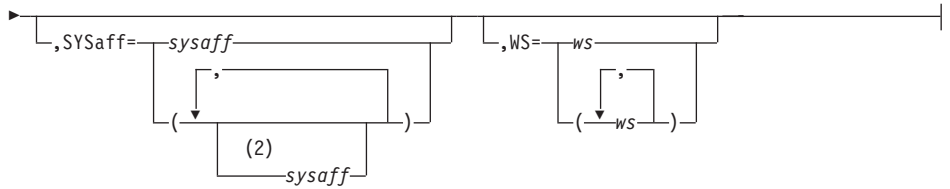
- 1 See "JES2 Commands Common Syntax Elements" on page 6.

\$T, \$D OFF(n).JR, OFF(n).JT, OFF(n).SR, OFF(n).ST

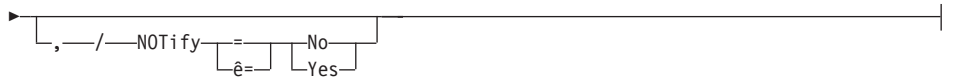
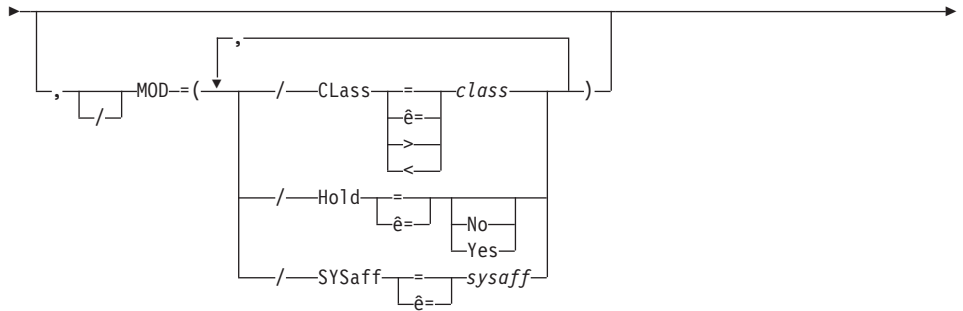
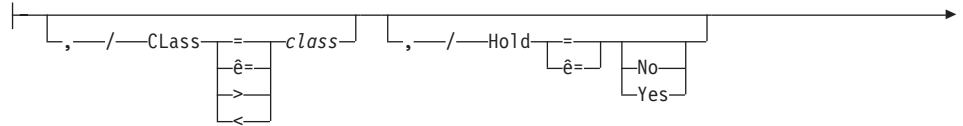


\$T Only Modification keywords:

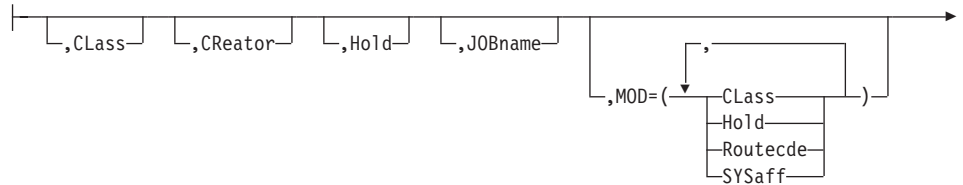


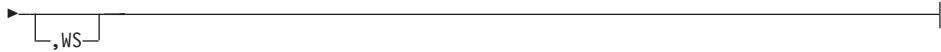


Selection limiting keywords:



\$D Only Display limiting keywords:

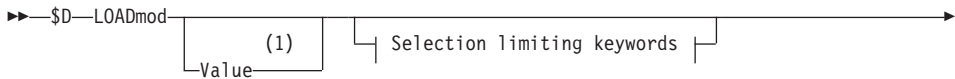




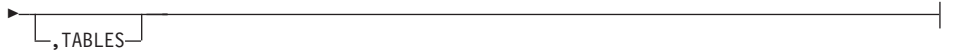
Notes:

- 1 See "JES2 Commands Common Syntax Elements" on page 6 (optional for \$D).
- 2 *sysaff* can be coded up to 32 times.

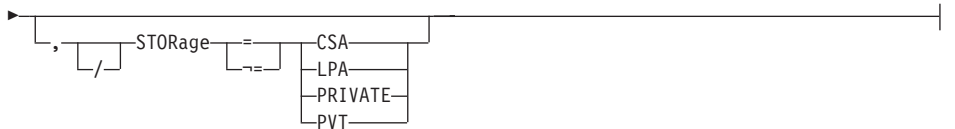
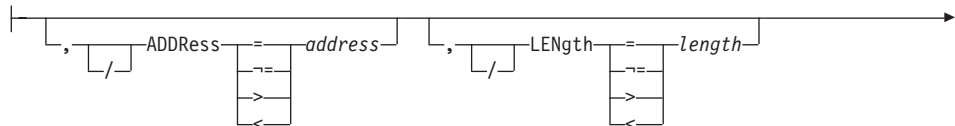
\$D LOADMOD(jxxxxxxx) - Display Load Module Information



Display limiting keywords:



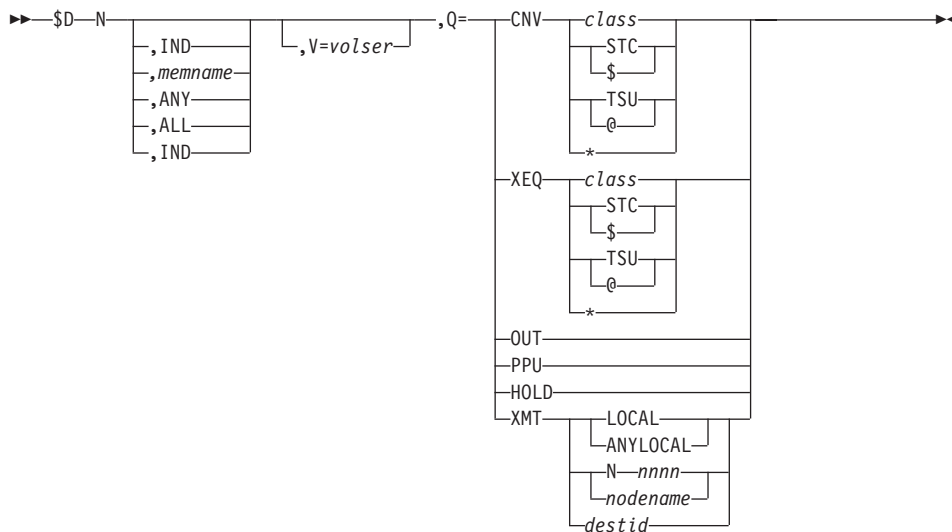
Selection limiting keywords:



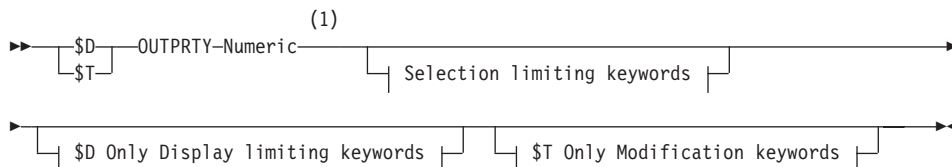
Notes:

- 1 See "JES2 Commands Common Syntax Elements" on page 6.

\$D N - Display Job Queue Information



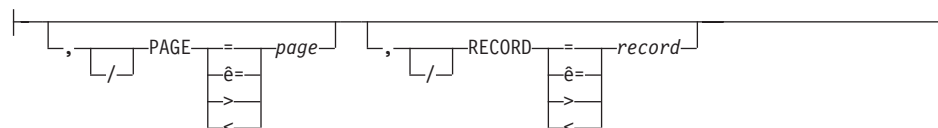
\$D, \$T OUTPRTY - Display/Specify Job Output Priority



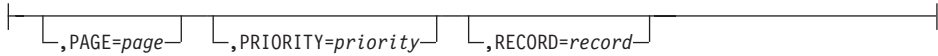
\$D Only Display limiting keywords:



Selection limiting keywords:



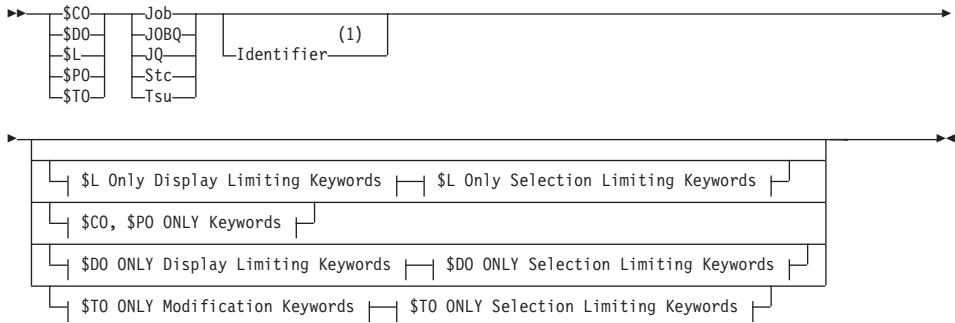
\$T Only Modification keywords:



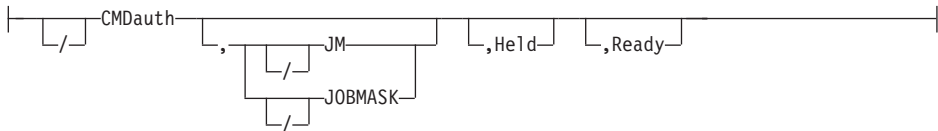
Notes:

- 1 See "JES2 Commands Common Syntax Elements" on page 6 (optional for \$D).

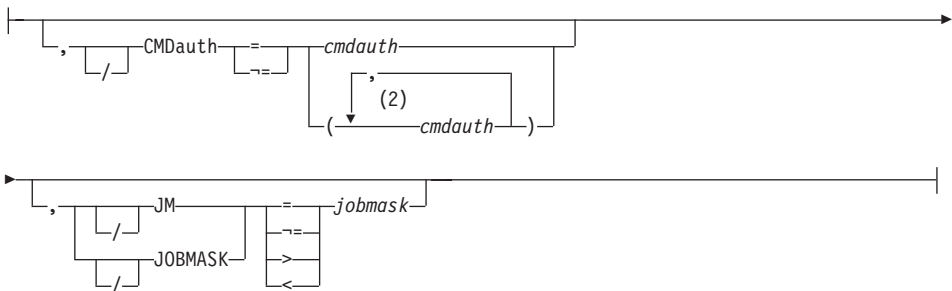
\$ Job Output Commands



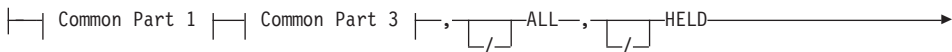
\$L Only Display Limiting Keywords:

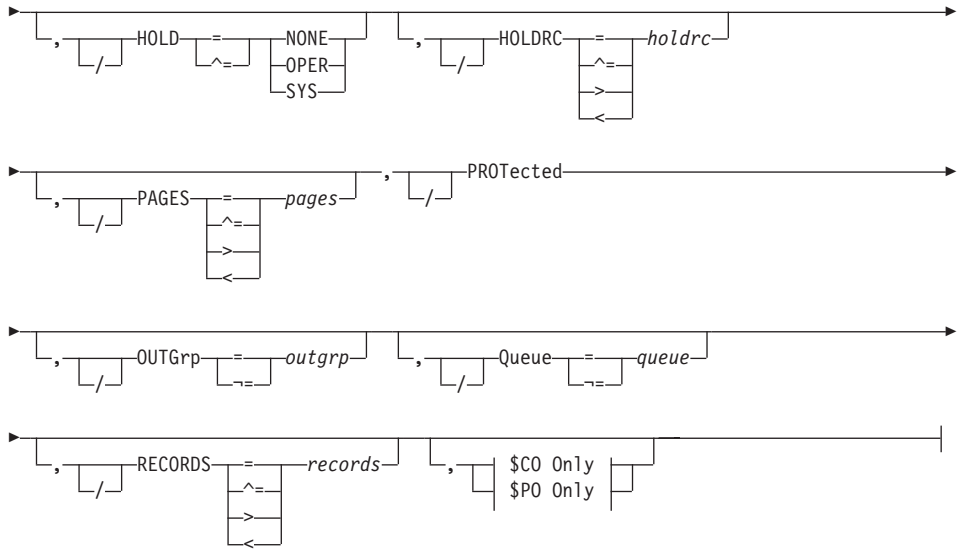


\$L Only Selection Limiting Keywords:

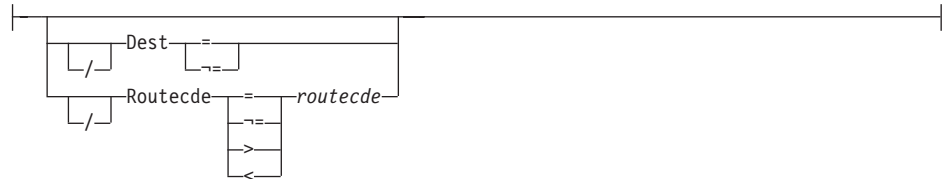


\$CO, \$PO ONLY Keywords:

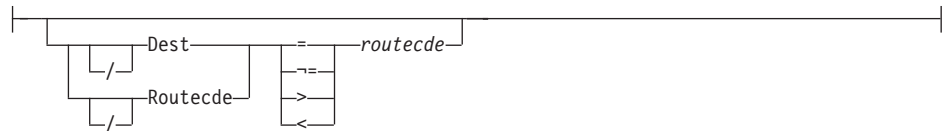




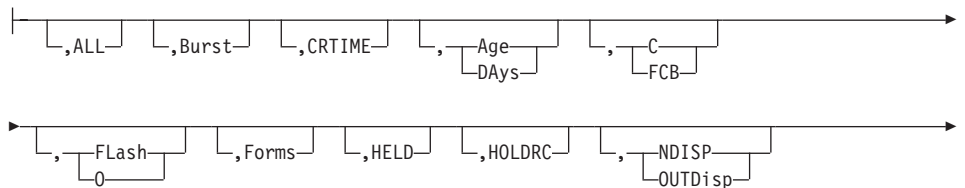
\$CO Only:

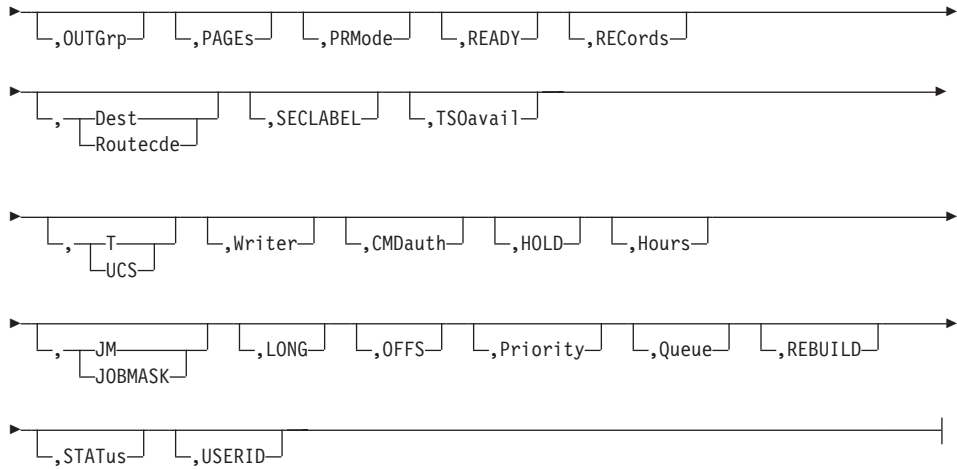


\$PO Only:

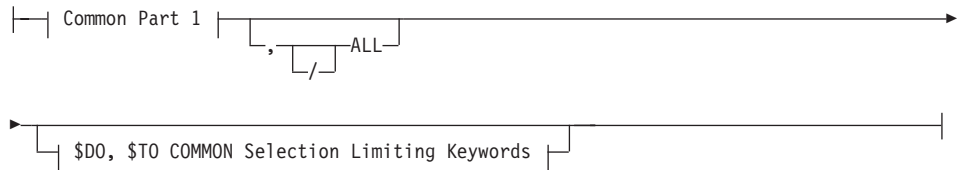


\$DO Only Display Limiting Keywords:

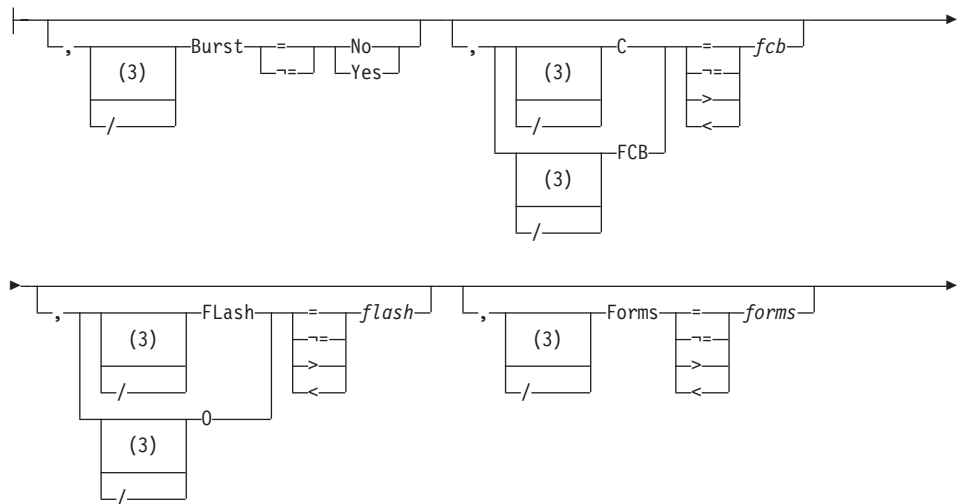


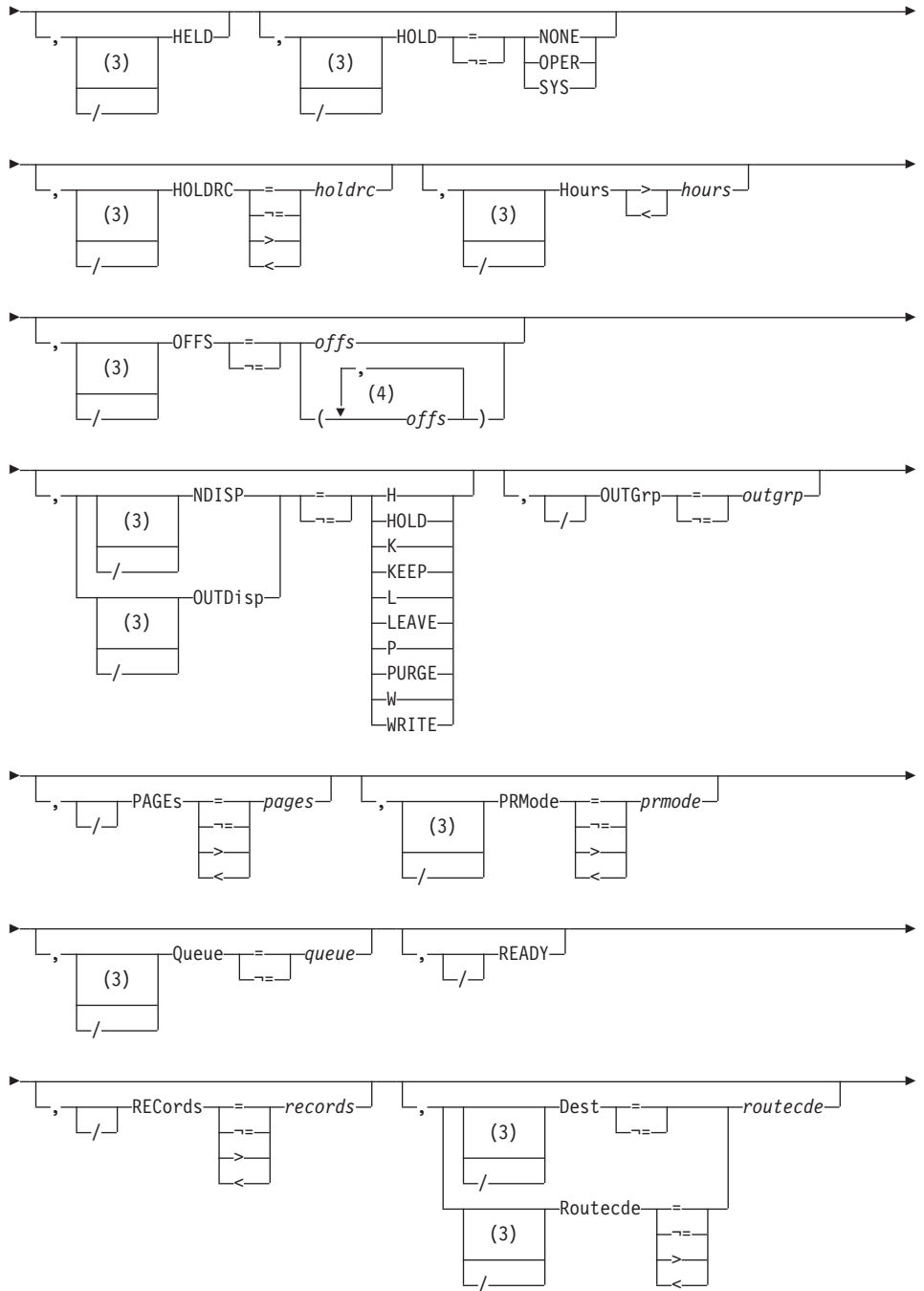


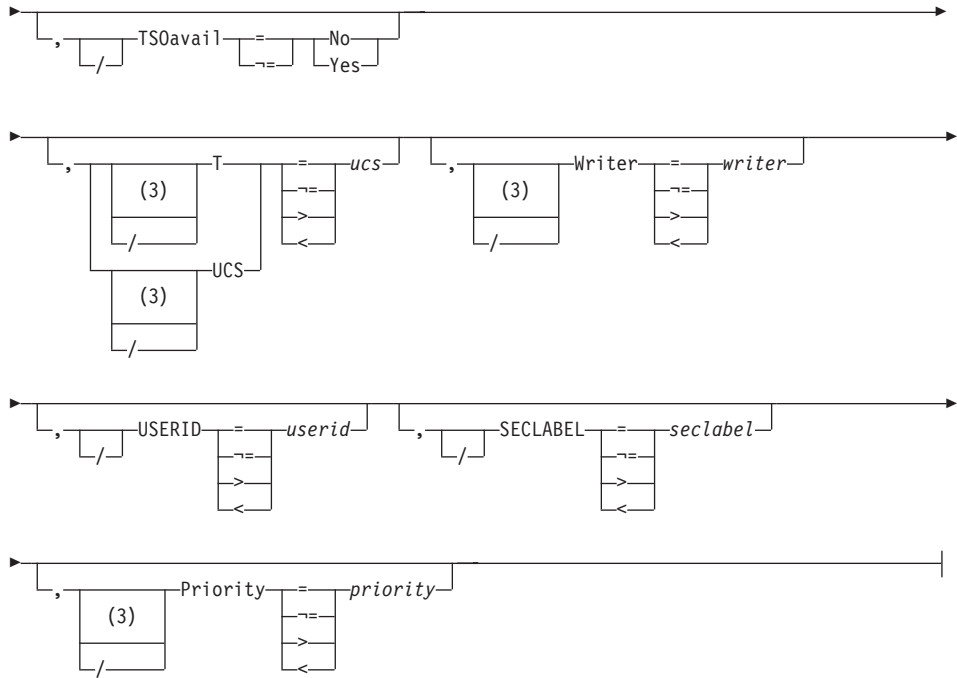
\$DO Only Selection Limiting Keywords:



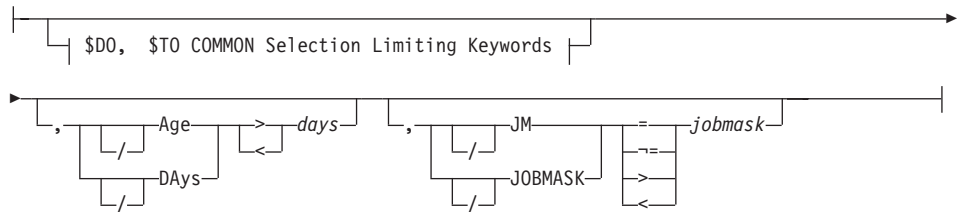
\$DO, \$TO COMMON Selection Limiting Keywords:



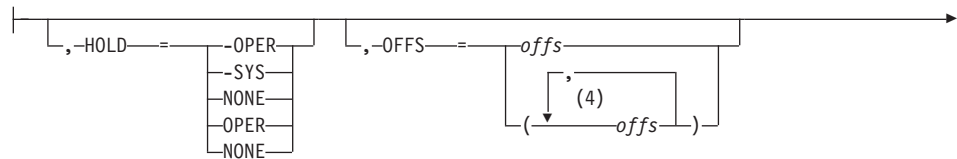


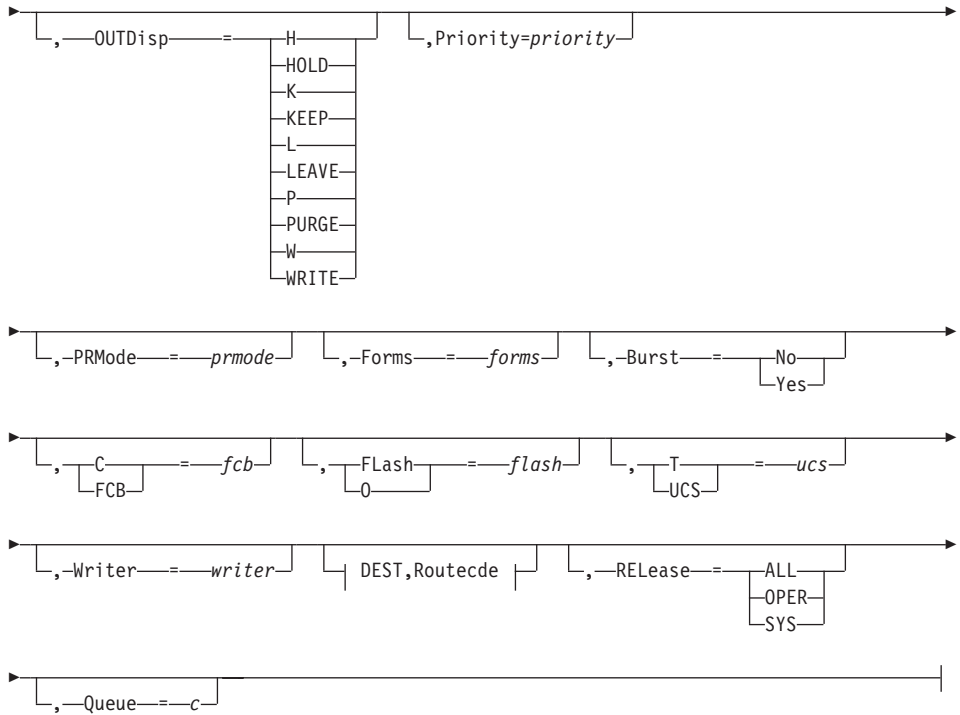


\$TO Only Selection Limiting Keywords:

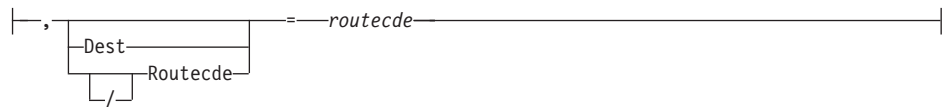


\$TO Only Modification Keywords:

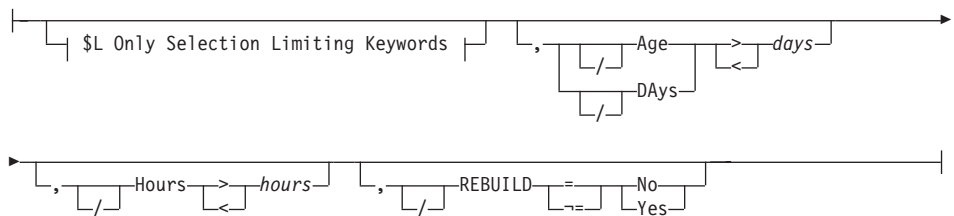




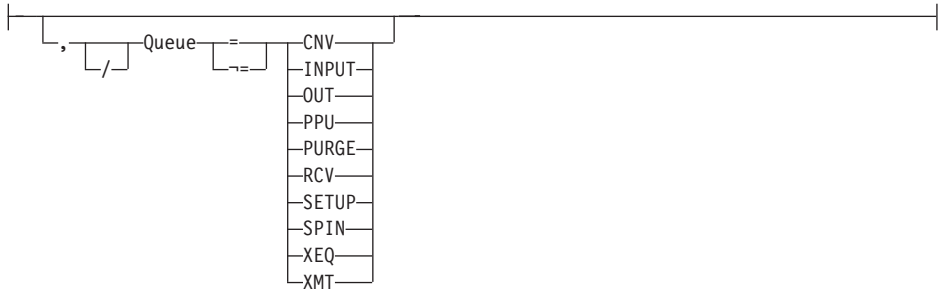
DEST,Route cde



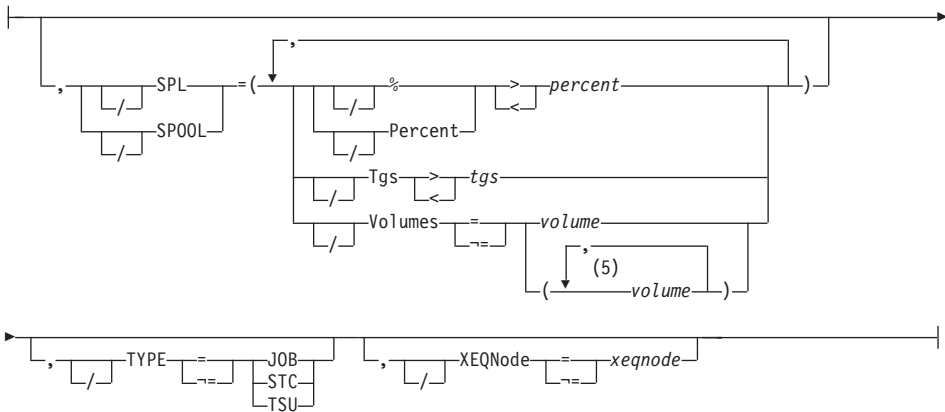
Common Part 1:



Common Part 2:



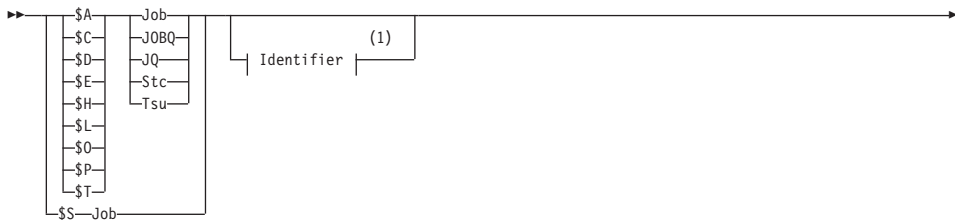
Common Part 3:

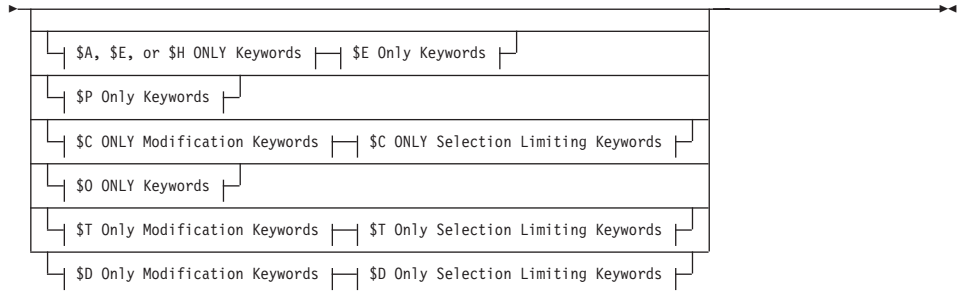


Notes:

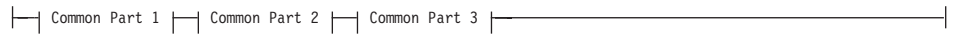
- 1 See "JES2 Commands Common Syntax Elements" on page 6.
- 2 *cmdauth* can be coded up to 2 times.
- 3 *"I"* is mandatory for \$TO.
- 4 *offs* can be coded up to 8 times.
- 5 *volume* can be coded up to 253 times.

\$ Job Commands





\$A, \$E, or \$H ONLY Keywords:



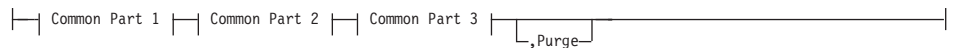
\$E Only Keywords:



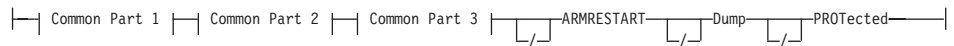
\$P Only Keywords:



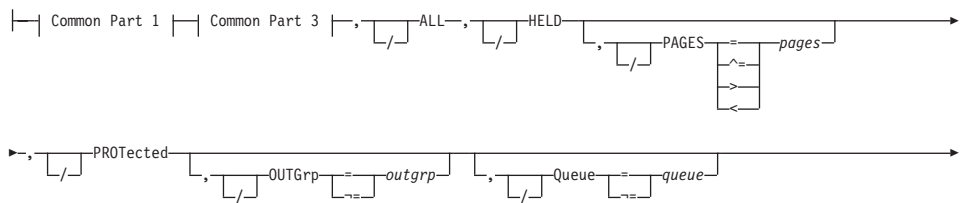
\$C ONLY Modification Keywords:

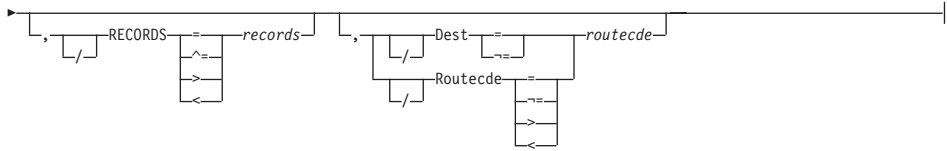


\$C ONLY Selection Limiting Keywords:

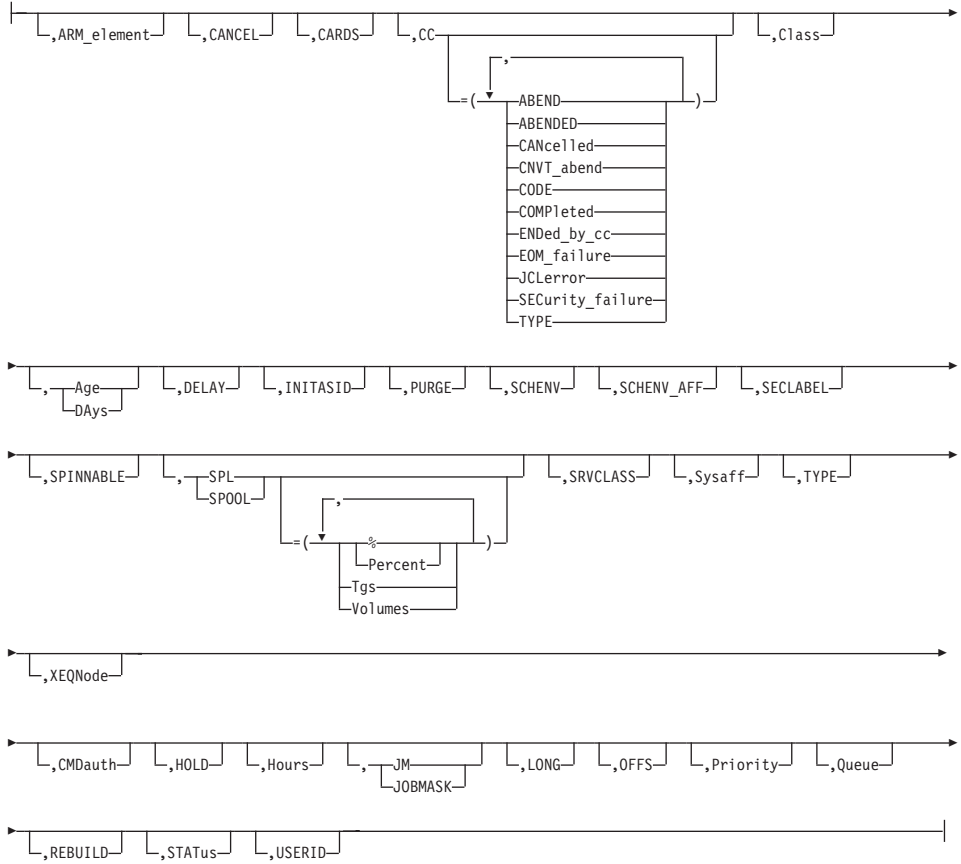


\$O ONLY Keywords:

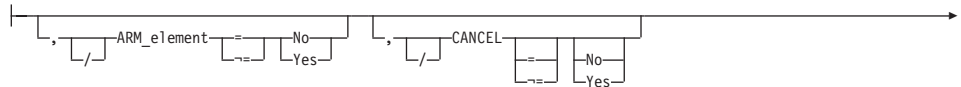


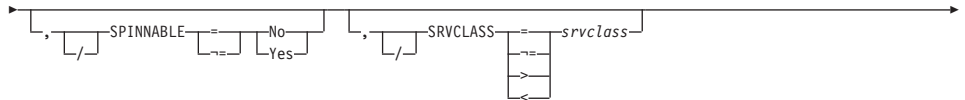
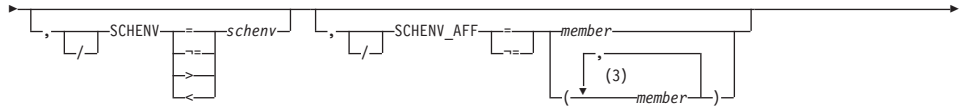
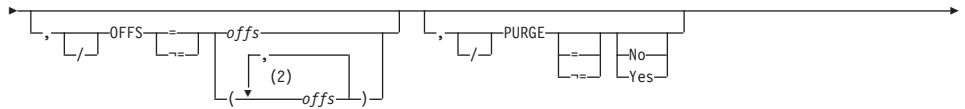
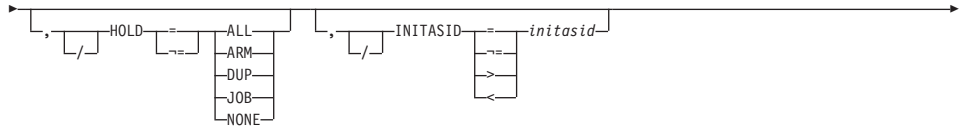
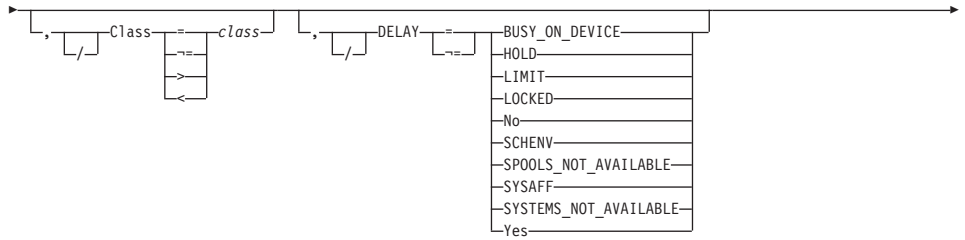
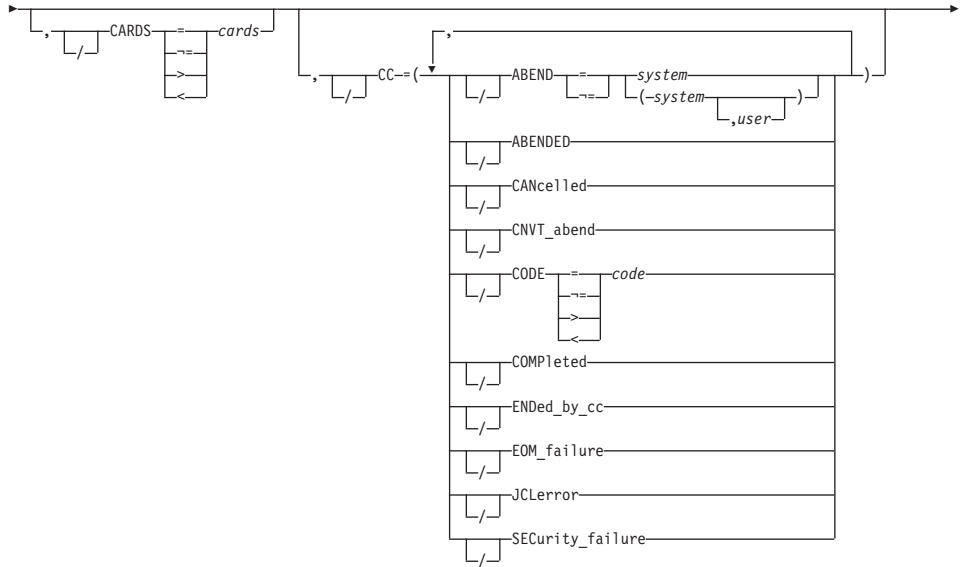


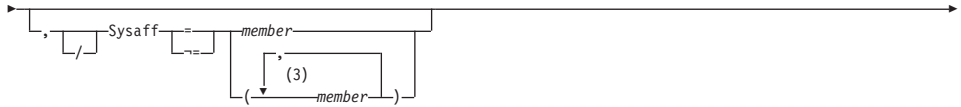
\$D Only Display Limiting Keywords:



\$D Only Selection Limiting Keywords:

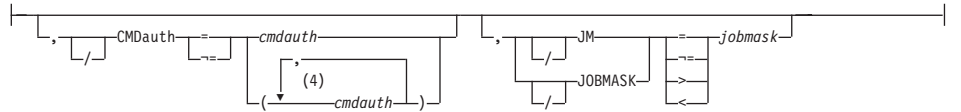




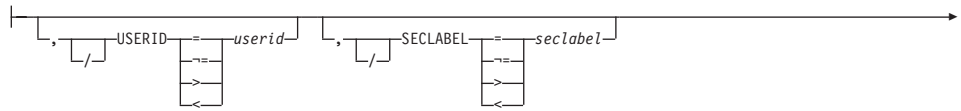


Common Part 1 | Common Part 2 | Common Part 3 | \$T, \$D COMMON Selection Limiting Keywords

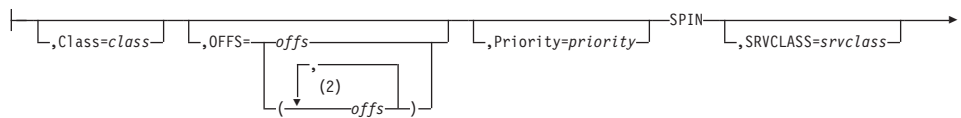
\$L Only Selection Limiting Keywords:



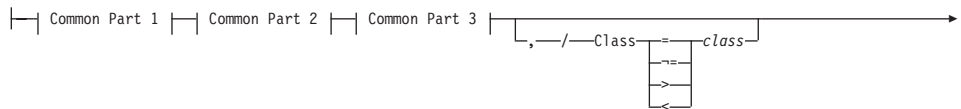
\$T, \$D COMMON Selection limiting Keywords:

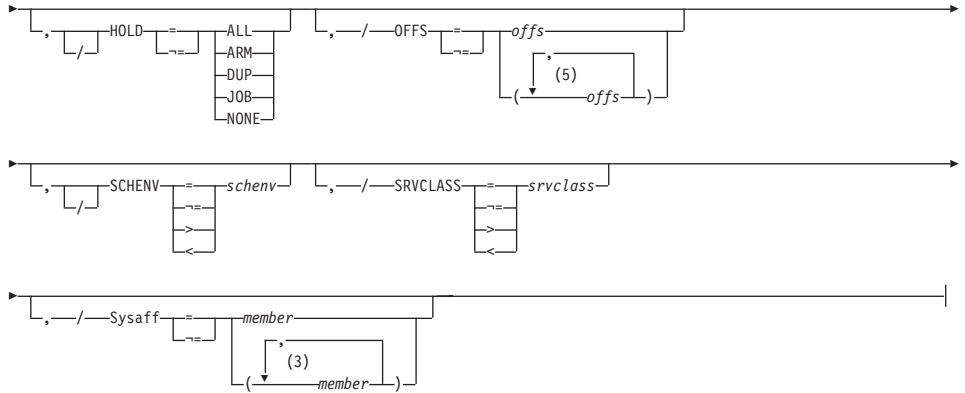


\$T Only Modification Keywords:

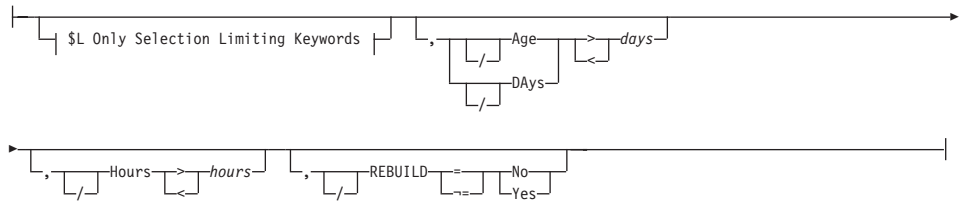


\$T Only Selection Limiting Keywords:

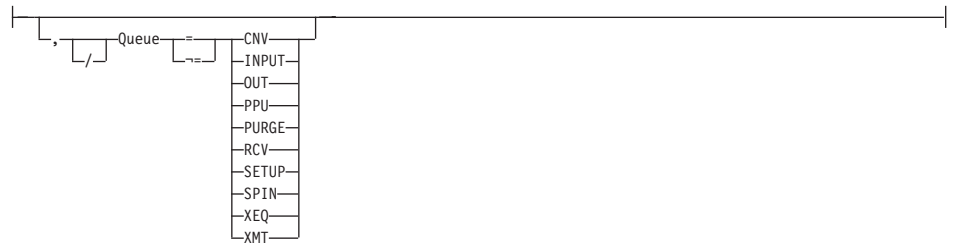




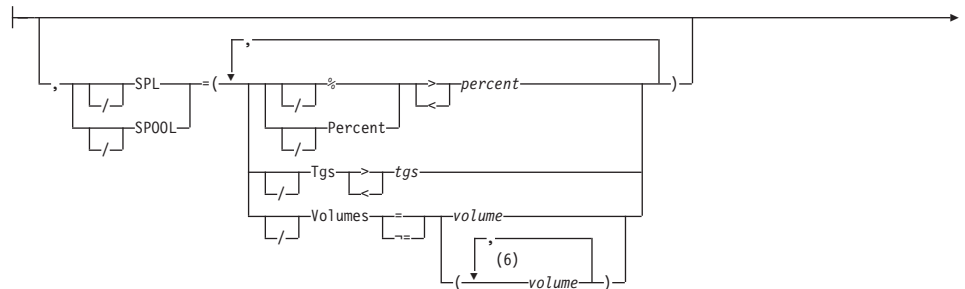
Common Part 1:

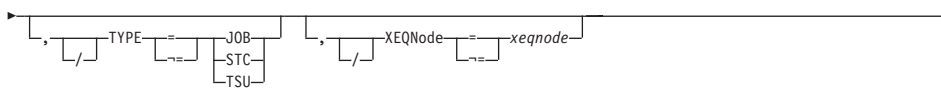


Common Part 2:



Common Part 3:





Notes:

- 1 See "JES2 Commands Common Syntax Elements" on page 6.
- 2 *offs* can be coded up to 8 times
- 3 *member* can be coded up to 33 times
- 4 *cmdauth* can be coded up to 2 times.
- 5 *offs* can be coded up to 8 times
- 6 *volume* can be coded up to 253 times

\$V S - Enter MVS System Commands through JES2



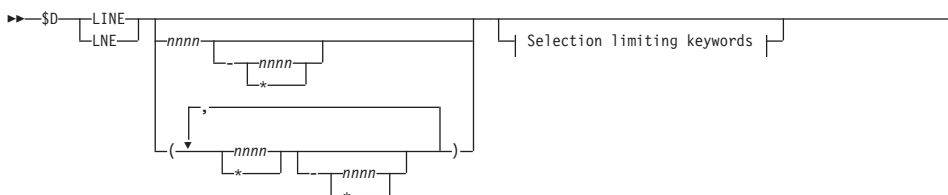
\$Mnn - Send commands to other MAS members



\$Nnnnn - Send Commands through the Network

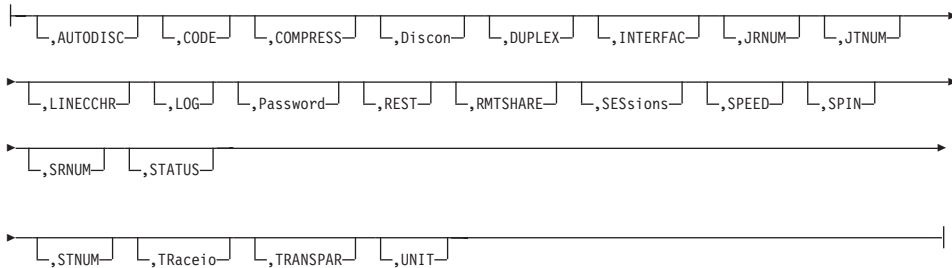


\$D Line - Display a Line

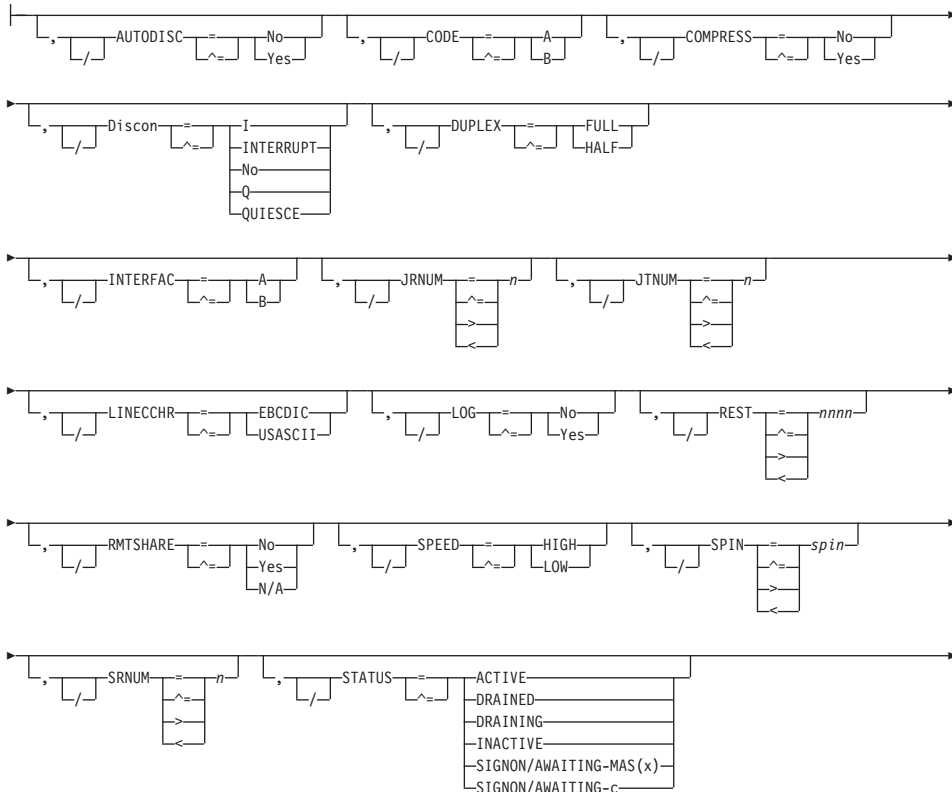


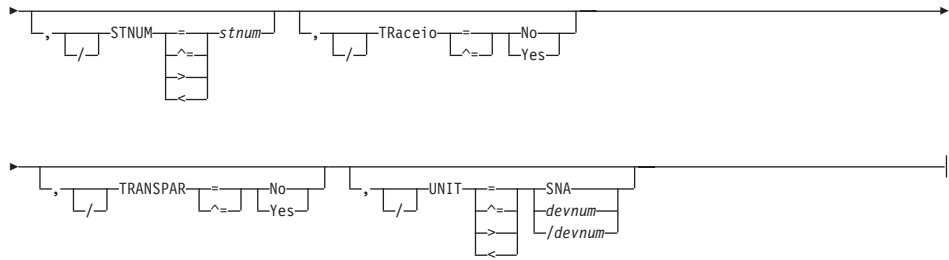


Display limiting keywords:

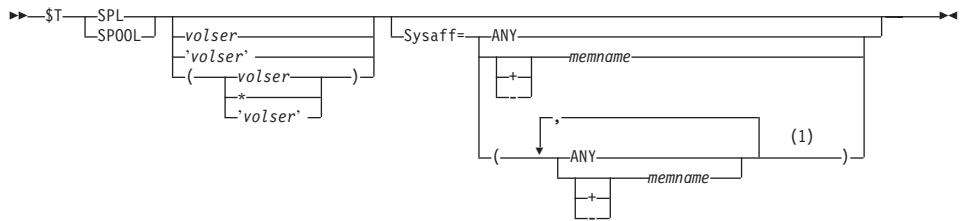


Selection limiting keywords:





\$T SPOOL - Modify a Spool Volume



Notes:

- 1 Multiple *SYSAFF* values can be coded up to 33 times

\$JDDETAILS - Display details summary of jobs

▶▶ \$JD—DETAILS ▶▶

\$JDJES - Display non-severe incident report

▶▶ \$JD—JES ▶▶

\$JDHISTORY - Display history of JES2 resource usage

▶▶ \$JD—HISTORY ▶▶

\$JDMONITOR - Display current status of JES2 monitor subtasks

▶▶ \$JD—MONITOR ▶▶

\$JDSTATUS - Display current status

▶▶—\$JD—STATUS—▶▶

\$JSTOP - Terminate monitor address space

▶▶—\$J—STOP—▶▶

\$ZAPJOB - Remove Job Structure from Job Queue

Note: Use of this command can cause JES2 outages on multiple members of a MAS. Ensure you read and understand the restriction in the *z/OS JES2 Commands*, SA22-7526 manual before using this command.

▶▶—\$ZAPJOB—▶▶
 ┌,JOBID=jjjnnnnn┐ ┌,JOBKEY=xxxxxxxxxx┐ ┌,JOBNAME=cccccccc┐
▶▶—▶▶
 ┌,JQEINDEX=xxxx┐ ┌,JQEOFF=xxxxxx┐
▶▶—▶▶

Appendix. Accessibility

Accessibility features help a user who has a physical disability, such as restricted mobility or limited vision, to use software products successfully. The major accessibility features in z/OS enable users to:

- Use assistive technologies such as screen-readers and screen magnifier software
- Operate specific or equivalent features using only the keyboard
- Customize display attributes such as color, contrast, and font size

Using assistive technologies

Assistive technology products, such as screen-readers, function with the user interfaces found in z/OS. Consult the assistive technology documentation for specific information when using it to access z/OS interfaces.

Keyboard navigation of the user interface

Users can access z/OS user interfaces using TSO/E or ISPF. Refer to *z/OS TSO/E Primer*, *z/OS TSO/E User's Guide*, and *z/OS ISPF User's Guide Volume I* for information about accessing TSO/E and ISPF interfaces. These guides describe how to use TSO/E and ISPF, including the use of keyboard shortcuts or function keys (PF keys). Each guide includes the default settings for the PF keys and explains how to modify their functions.

Notices

This information was developed for products and services offered in the USA.

IBM may not offer the products, services, or features discussed in this document in other countries. Consult your local IBM representative for information on the products and services currently available in your area. Any reference to an IBM product, program, or service is not intended to state or imply that only that IBM product, program, or service may be used. Any functionally equivalent product, program, or service that does not infringe any IBM intellectual property right may be used instead. However, it is the user's responsibility to evaluate and verify the operation of any non-IBM product, program, or service.

IBM may have patents or pending patent applications covering subject matter described in this document. The furnishing of this document does not give you any license to these patents. You can send license inquiries, in writing, to:

IBM Director of Licensing
IBM Corporation
North Castle Drive
Armonk, NY 10504-1785
USA

For license inquiries regarding double-byte (DBCS) information, contact the IBM Intellectual Property Department in your country or send inquiries, in writing, to:

IBM World Trade Asia Corporation
Licensing
2-31 Roppongi 3-chome, Minato-ku
Tokyo 106, Japan

The following paragraph does not apply to the United Kingdom or any other country where such provisions are inconsistent with local law: INTERNATIONAL BUSINESS MACHINES CORPORATION PROVIDES THIS PUBLICATION "AS IS" WITHOUT WARRANTY OF ANY KIND, EITHER EXPRESS OR IMPLIED, INCLUDING, BUT NOT LIMITED TO, THE IMPLIED WARRANTIES OF NON-INFRINGEMENT, MERCHANTABILITY OR FITNESS FOR A PARTICULAR PURPOSE. Some states do not allow disclaimer of express or implied warranties in certain transactions, therefore, this statement may not apply to you.

This information could include technical inaccuracies or typographical errors. Changes are periodically made to the information herein; these changes will be incorporated in new editions of the publication. IBM may make improvements and/or changes in the product(s) and/or the program(s) described in this publication at any time without notice.

Any references in this information to non-IBM Web sites are provided for convenience only and do not in any manner serve as an endorsement of those Web sites. The materials at those Web sites are not part of the materials for this IBM product and use of those Web sites is at your own risk.

IBM may use or distribute any of the information you supply in any way it believes appropriate without incurring any obligation to you.

Licensees of this program who wish to have information about it for the purpose of enabling: (i) the exchange of information between independently created programs and other programs (including this one) and (ii) the mutual use of the information which has been exchanged, should contact:

IBM Corporation
Mail Station P300
2455 South Road
Poughkeepsie, NY 12601-5400
USA
Attention: Information Request

Such information may be available, subject to appropriate terms and conditions, including in some cases, payment of a fee.

The licensed program described in this information and all licensed material available for it are provided by IBM under terms of the IBM Customer Agreement, IBM International Program License Agreement, or any equivalent agreement between us.

If you are viewing this information softcopy, the photographs and color illustrations may not appear.

Programming Interface Information

This publication primarily documents information that is NOT intended to be used as Programming Interfaces of z/OS.

This publication also documents intended Programming Interfaces that allow the customer to write programs to obtain the services of z/OS. This information is identified where it occurs, either by an introductory statement to a chapter or section or by the following marking:

- Programming Interface information
- End of Programming Interface information

Trademarks

The following terms are trademarks of the IBM Corporation in the United States and/or other countries:

- Advanced Function Printing
- AFP
- AS/400
- BookManager
- DB2
- eNetwork
- ESCON
- GDDM
- IBM

- IBMLink
- MVS/ESA
- OS/390
- Print Services Facility
- Processor Resource/Systems Manager
- PR/SM
- RACF
- Resource Link
- S/370
- SOM
- System/390
- VTAM
- z/OS
- z/OS.e

Other company, product, and service names may be trademarks or service marks of others.

Readers' Comments — We'd Like to Hear from You

z/OS
JES2 Commands Summary

Publication No. SA22-7527-03

Overall, how satisfied are you with the information in this book?

	Very Satisfied	Satisfied	Neutral	Dissatisfied	Very Dissatisfied
Overall satisfaction	<input type="checkbox"/>	<input type="checkbox"/>	<input type="checkbox"/>	<input type="checkbox"/>	<input type="checkbox"/>

How satisfied are you that the information in this book is:

	Very Satisfied	Satisfied	Neutral	Dissatisfied	Very Dissatisfied
Accurate	<input type="checkbox"/>	<input type="checkbox"/>	<input type="checkbox"/>	<input type="checkbox"/>	<input type="checkbox"/>
Complete	<input type="checkbox"/>	<input type="checkbox"/>	<input type="checkbox"/>	<input type="checkbox"/>	<input type="checkbox"/>
Easy to find	<input type="checkbox"/>	<input type="checkbox"/>	<input type="checkbox"/>	<input type="checkbox"/>	<input type="checkbox"/>
Easy to understand	<input type="checkbox"/>	<input type="checkbox"/>	<input type="checkbox"/>	<input type="checkbox"/>	<input type="checkbox"/>
Well organized	<input type="checkbox"/>	<input type="checkbox"/>	<input type="checkbox"/>	<input type="checkbox"/>	<input type="checkbox"/>
Applicable to your tasks	<input type="checkbox"/>	<input type="checkbox"/>	<input type="checkbox"/>	<input type="checkbox"/>	<input type="checkbox"/>

Please tell us how we can improve this book:

Thank you for your responses. May we contact you? Yes No

When you send comments to IBM, you grant IBM a nonexclusive right to use or distribute your comments in any way it believes appropriate without incurring any obligation to you.

Name

Address

Company or Organization

Phone No.

Readers' Comments — We'd Like to Hear from You
SA22-7527-03



Cut or Fold
Along Line

Fold and Tape

Please do not staple

Fold and Tape



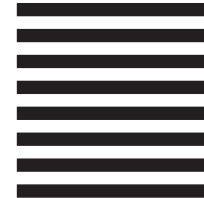
NO POSTAGE
NECESSARY
IF MAILED IN THE
UNITED STATES

BUSINESS REPLY MAIL

FIRST-CLASS MAIL PERMIT NO. 40 ARMONK, NEW YORK

POSTAGE WILL BE PAID BY ADDRESSEE

IBM Corporation
Department 55JA, Mail Station P384
2455 South Road
Poughkeepsie, NY
12601-5400



Fold and Tape

Please do not staple

Fold and Tape

SA22-7527-03

Cut or Fold
Along Line



Program Number: 5694-A01, 5655-G52

Printed in U.S.A.

SA22-7527-03

