



OS/390

JES3 Commands Summary



OS/390

JES3 Commands Summary

Note

Before using this information and the product it supports, be sure to read the general information under Appendix A, "Notices" on page 35.

Ninth Edition, September 2000

This is a major revision of GX22-0042-08.

This edition applies to Version 2 Release 10 of OS/390 (5647-A01) and to all subsequent releases and modifications until otherwise indicated in new editions.

Order publications through your IBM representative or the IBM branch office serving your locality. Publications are not stocked at the address below.

IBM welcomes your comments. A form for readers' comments may be provided at the back of this publication, or you may address your comments to the following address:

International Business Machines Corporation
Department 55JA, Mail Station P384
2455 South Road
Poughkeepsie, NY 12601-5400
United States of America

FAX (United States & Canada): 1+845+432-9405
FAX (Other Countries):
Your International Access Code +1+845+432-9405

IBMLink (United States customers only): IBMUSM10(MHVRCFS)
Internet e-mail: mhvrfs@us.ibm.com
World Wide Web: <http://www.ibm.com/s390/os390/webqs.html>

If you would like a reply, be sure to include your name, address, telephone number, or FAX number.

Make sure to include the following in your comment or note:

- Title and order number of this book
- Page number or topic related to your comment

When you send information to IBM, you grant IBM a nonexclusive right to use or distribute the information in any way it believes appropriate without incurring any obligation to you.

© **Copyright International Business Machines Corporation 1988, 2000. All rights reserved.**
US Government Users Restricted Rights – Use, duplication or disclosure restricted by GSA ADP Schedule Contract with IBM Corp.

Contents

About This Booklet	vii
Summary of Changes	ix
Chapter 1. JES3 Commands Summary	1
*CALL or *X	1
*CANCEL or *C	1
*DUMP	1
*FAIL	1
*FREE	1
*INQUIRY or *I Active Jobs	1
*INQUIRY or *I Backlog Jobs	2
*INQUIRY or *I Buffer Pools	2
*INQUIRY or *I Job Classes	2
*INQUIRY or *I Displaying RJP Status and Device Status	2
*INQUIRY or *I,DEST Displaying Defined Destinations for Inbound NJE SYSOUT	3
*INQUIRY or *I FSSs	3
*INQUIRY or *I GMS	4
*INQUIRY or *I JES3 Jobs	4
*INQUIRY or *I Deadline	4
*INQUIRY or *I MCS Routing Codes	5
*INQUIRY or *I Writer Output Multitasking	5
*INQUIRY or *I DJC Networks	5
*INQUIRY or *I JES3 Networking	5
*INQUIRY or *I RJP consoles	5
*INQUIRY or *I Priorities	5
*INQUIRY or *I Procedure Libraries	6
*INQUIRY or *I Job Queue Status	6
*INQUIRY or *I MDS Setup	7
*INQUIRY or *I BSC RJP Lines	8
*INQUIRY or *I U for Q=BDT, Q=HOLD, or Q=WTR	8
*INQUIRY WTO, Pace Monitoring	10
*INQUIRY or *I DSP and Module Use Counts	10
*MESSAGE,dest or *Z	10
*MESSAGE or *Z	10
*MODIFY or *F Spool Partition	10
*MODIFY or *F Configuration	11
*MODIFY or *F,DEST Changing Defined Destinations for Inbound NJE SYSOUT	11
*MODIFY or *F Event Tracing	11
*MODIFY or *F FSSs	11
*MODIFY or *G GMS	11
*MODIFY or *F JES3 Jobs	12
*MODIFY or *F Deadline Scheduling	12
*MODIFY or *F MCS Routing Codes	13
*MODIFY or *F Writer Output Multitasking	13

*MODIFY or *F DJC Network	13
*MODIFY or *F JES Networking	13
*MODIFY or *F RJP Consoles	13
*MODIFY or *F Job Queue Spool Data Sets	14
*MODIFY or *F MDS Setup	14
*MODIFY or *F BSC or SNA RJP Workstations	15
*MODIFY or *F U for Q=BDT, Q=HOLD, or Q=WTR	15
*MODIFY or *F Vary Function	17
*MODIFY or *F Modify Writer Function	17
*MODIFY or *F WTO, Pace Monitoring	17
*MODIFY or *F DSP and Module Usage	17
*RESTART or *R,DC	18
*RESTART or *R,devname	18
*RESTART or *R,JESNEWS	18
*RESTART or *R,main	18
*RESTART or *R,NJEROUT	18
*RESTART or *R,RJP	19
*RESTART or *R,RJPSNPS	19
*RESTART or *R,SETUP	19
*RESTART or *R,SNARJP	19
*RETURN	19
*SEND,nodename	20
*START or *S	20
*SWITCH	20
*TRACE	20
*VARY or *V	20
BDT DSP: Sending MVS/BDT Commands from a JES3 Console	21
CR, DR, TR DSPs: Input Service Readers	21
DC DSP: Dump Core	22
DEADLINE DSP: Deadline Scheduling	23
DISPDJC DSP: Display Dependent Job Control Tables	23
DISPLAY DSP	24
DJ DSP: Dump Job	24
DSI DSP: Dynamic System Interchange	25
IC DSP: Iteration Count	26
INTRDR DSP: Internal Reader	26
JESNEWS DSP	26
JMF DSP: JES3 Monitoring Facility	26
JSS	27
Locate Processing, Cancel a Job	27
MAIN DSP: Main Service	27
MONITOR DSP	27
NJE DSP: JES3 Networking Line Manager	28
NJECONS DSP: JES3 Networking Console Support	28
NJERDR DSP: Networking Job Entry Reader	28
NJEROUT DSP	29
RJP DSPs: BSC RJP and SNA RJP	30
SNA RJP DSP	30

RJPSNPS DSP: RJP Snapshot Dumps	30
SETUP DSP: Main Device Scheduler (MDS)	30
VARYL DSP	31
WTR DSP: Output Service Writer	31
Signing On/Logging on to an RJP Workstation	32
Signing Off of a BSC FJP Workstation	33
Logging On to a SNA RJP Workstation	33
Logging On to a SNA RJP Workstation	33
Appendix A. Notices	35
Programming Interface Information	36
Trademarks	36

About This Booklet

This booklet lists the syntax of JES3 commands. The information in this booklet is summarized from *OS/390 JES3 Commands*, GC28-1798 and *OS/390 JES3 Diagnosis*, SY28-1090. To make the booklet an "easy to use" reference to JES3 commands, no parameter descriptions are supplied for the commands and certain commands are consolidated to reduce the booklet's size.

Summary of Changes

Summary of Changes for GX22-0042-09 OS/390 Version 2 Release 10

This book contains information previously presented in *OS/390 JES3 Commands Summary*, GX22-0042-08, which supports OS/390 Version 2 Release 9.

The following summarizes changes to that information.

New and Changed Information

*DUMP

Password parameter dropped. See “*DUMP” on page 1.

*RETURN

Password parameter dropped. See “*RETURN” on page 19.

*INQUIRY,U

New parameters CJ, CJNM, and CJID. See “*INQUIRY or *I U for Q=BDT, Q=HOLD, or Q=WTR” on page 8.

*MODIFY,U

New parameters CJ, CJNM, and CJID. See “*MODIFY or *F U for Q=BDT, Q=HOLD, or Q=WTR” on page 15.

*MODIFY,W

DYNAMIC parameter updated. See “*MODIFY or *F Modify Writer Function” on page 17.

This book includes terminology, maintenance, and editorial changes. Technical changes or additions to the text and illustrations are indicated by a vertical line to the left of the change.

Summary of Changes for GX22-0042-08 OS/390 Version 2 Release 9

This book contains information previously presented in *OS/390 JES3 Commands Summary*, GX22-0042-07, which supports OS/390 Version 2 Release 8.

The following summarizes changes to that information.

New Information

*INQUIRY,DEST

This command has been added to allow the operator to display defined destinations for inbound NJE SYSOUT. See “*INQUIRY or *I,DEST Displaying Defined Destinations for Inbound NJE SYSOUT” on page 3.

***MODIFY,DEST**

This command has been added to allow the operator to change the defined destinations for inbound NJE SYSOUT. See “*MODIFY or *F,DEST Changing Defined Destinations for Inbound NJE SYSOUT” on page 11.

Changed Information***INQUIRY,NJE**

Updated command syntax and parameter listing to allow the display of alias definitions. See “*INQUIRY or *I JES3 Networking” on page 5.

***INQUIRY,U**

The syntax diagram has been corrected. See “*INQUIRY or *I U for Q=BDT, Q=HOLD, or Q=WTR” on page 8.

***MODIFY,NJE**

New text has been added under "use the *MODIFY,NJE command to:" and under "Rules". Also, the following parameters have been added to the command syntax and parameter listing:

- ADDAL
- PRTDEF
- PRTTSO
- PRTXWTR
- PUNDEF

See “*MODIFY or *F JES Networking” on page 13.

***MODIFY,U**

The syntax diagram has been corrected. See “*MODIFY or *F U for Q=BDT, Q=HOLD, or Q=WTR” on page 15.

**Summary of Changes
for GX22-0042-07
OS/390 Version 2 Release 8**

This book contains information previously presented in *OS/390 JES3 Commands Summary*, GX22-0042-06, which supports OS/390 Version 2 Release 7.

The following summarizes changes to that information.

Changed Information***CALL,JMF**

A new parameter, WLM, has been added to allow you to request WLM-related information.

***INQUIRY,A**

A new parameter, SRVCLASS= (or SRVCL=), has been added to allow you to display all jobs in execution that have the specified service class.

***INQUIRY,B**

A new parameter, SRVCLASS= (or SRVCL=), has been added to allow you to display jobs that are backlogged, by service class.

The *INQUIRY,B command has also been enhanced to allow you to display backlogged jobs by specific job class or job class group.

***INQUIRY,C=class**

This command has been enhanced to allow you to display the class's status, group name, MLIMIT, TLIMIT, MDEPTH, TDEPTH, and SDEPTH.

***INQUIRY,G**

The *INQUIRY,G command has been enhanced to display whether the group is managed by Workload Manager (WLM) or managed by JES.

The DISPLAY and DPRTY options are no longer supported by the *INQUIRY,G,SELECT,opt command.

***INQUIRY,J**

The *INQUIRY,J command has been enhanced to display the following new information when you specify the X parameter:

- The job's group and whether it is managed by JES or managed by Workload Manager.
- The job's service class.
- Whether a *MODIFY,J=*jobno*,RUN command was issued for the job.

The *INQUIRY,J= command also allows you to specify a job name containing wildcard characters.

***INQUIRY,NJE**

A new parameter, NETHOLD, has been added to allow you to display the option for processing inbound NJE SYSOUT data in NETDATA format.

***INQUIRY,Q**

A new parameter, SRVCLASS= (or SRVCL=), has been added to allow you to display all jobs with the specified service class that are either waiting to be scheduled for main service or have been scheduled for main service.

***INQUIRY,X**

The following enhancements have been made to the *INQUIRY,X,M= command:

- *INQUIRY,X,M=*module* indicates whether a particular module within IATNUC can be refreshed via the *MODIFY,X,M=*module*,REFRESH command.
*INQUIRY,X,M=*module* also indicates whether a particular copy of an IATNUC module was refreshed via the *MODIFY,X,M=*module*,REFRESH command.
- *INQUIRY,X,M=*address* no longer has to be an address within a module loaded via the ALOAD macro.
- *INQUIRY,X,M=*module* and *INQUIRY,X,M=*address* allow you to display information about a module on another system.

***MODIFY,C**

The *MODIFY,C command has been enhanced to allow you to modify the following:

- GROUP
- SDEPTH
- TDEPTH
- MDEPTH
- TLIMIT
- MLIMIT

***MODIFY,E**

A new parameter, SAT, has been added to the START and STOP keywords to allow you to start or stop the Spool Allocation Trace (SAT).

A new keyword, SIZE, has been added to allow you to specify the trace table size for the trace table specified on the START= keyword.

***MODIFY,G**

A new parameter, MODE=, allows you to specify whether a job class group is to be managed by JES (MODE=JES) or managed by Workload Manager (MODE=WLM).

***MODIFY,J**

The following new parameters have been added to the *MODIFY,J command:

- SRVCLASS= (or SRVCL=) allows you to change a job's service class.
- RUN allows you to force a job to be selected for execution before other jobs.
- CIDEBUG allows you to activate C/I debug processing for a job while it is in the queue.

***MODIFY,NJE**

A new parameter, NETHOLD=, has been added to allow you to change the option for processing inbound NJE SYSOUT data in NETDATA format.

***TRACE**

The *TRACE command has been enhanced to allow new events to be traced.

**Summary of Changes
for GX22-0042-06
OS/390 Version 2 Release 7**

This book contains information previously presented in *OS/390 JES3 Commands Summary*, GX22-0042-05, which supports OS/390 Version 2 Release 6.

The following summarizes changes to that information.

***MODIFY,S**

A new parameter, IVERMSG=, has been added to specify whether or not all initial verify response messages (that is, IAT5918 messages received during main connect processing) are written to the hardcopy message log (MLOG).

**Summary of Changes
for GX22-0042-05
OS/390 Version 2 Release 6**

This book contains information previously presented in *OS/390 JES3 Commands Summary*, GX22-0042-04, which supports OS/390 Version 2 Release 5.

The format of this publication is completely changed. Commands are identified and the syntax given in railroad track format. No explanation of the parameters is given. The format of this book is intended to be used as a handbook and quick reference to JES3 commands. Parameter descriptions are described in *OS/390 JES3 Commands*. JES3 command syntax that is highlighted with "change bars" reflect those changes that apply for OS/390 JES3 Version 2 Release 6. All other JES3 command syntax, while condensed or restructured, has not changed. See *OS/390 JES3 Commands* for more detailed explanations of each JES3 command, its syntax and use.

The following summarizes changes to that information.

***INQUIRY,WTO**

This command has been added to allow the operator to display WTO pace-monitoring parameters.

***MODIFY,WTO**

This command has been added to allow the operator to change WTO pace-monitoring parameters.

***CALL,DISPLAY**

This command has been changed to display additional information such as the scheduling environment for a job.

***INQUIRY,J**

A new parameter X, has been added to display extended information for a job.

***INQUIRY,Q**

A new parameter, SCHENV=, has been added to display jobs that have the specified scheduling environment.

***INQUIRY,S**

A new parameter, SUMM=, has been added to allow the operator to display a summary of the jobs in the MDS allocation and why the jobs are waiting.

***MODIFY,J**

This command has been enhanced to allow the operator to change a job's JESMSGLOG logging status.

***TRACE**

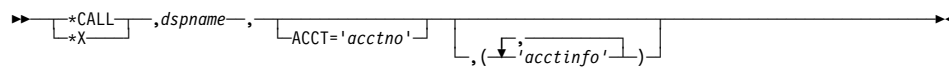
This command has been enhanced to allow new events to be traced.

***CALL DJ**

The SERVER, DSN, and VOL parameters have been added to the *CALL,DJ command to support dump job in server mode for a SERVER=YES request.

Chapter 1. JES3 Commands Summary

*CALL or *X



*CANCEL or *C



*DUMP

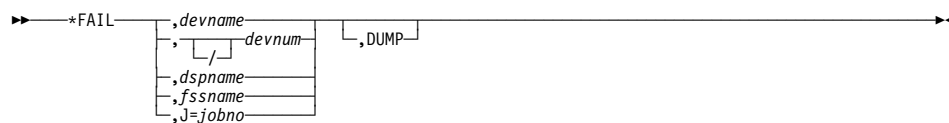
Local Syntax



Global Syntax



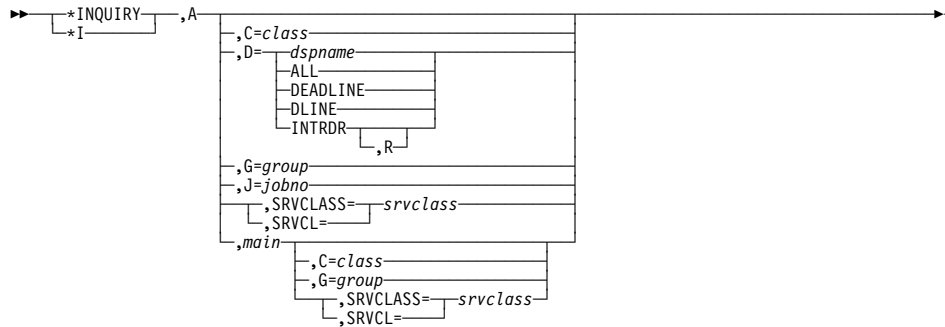
*FAIL



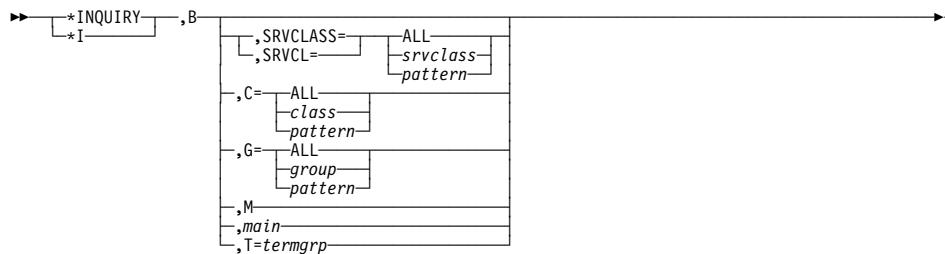
*FREE



*INQUIRY or *I Active Jobs



***INQUIRY or *I Backlog Jobs**



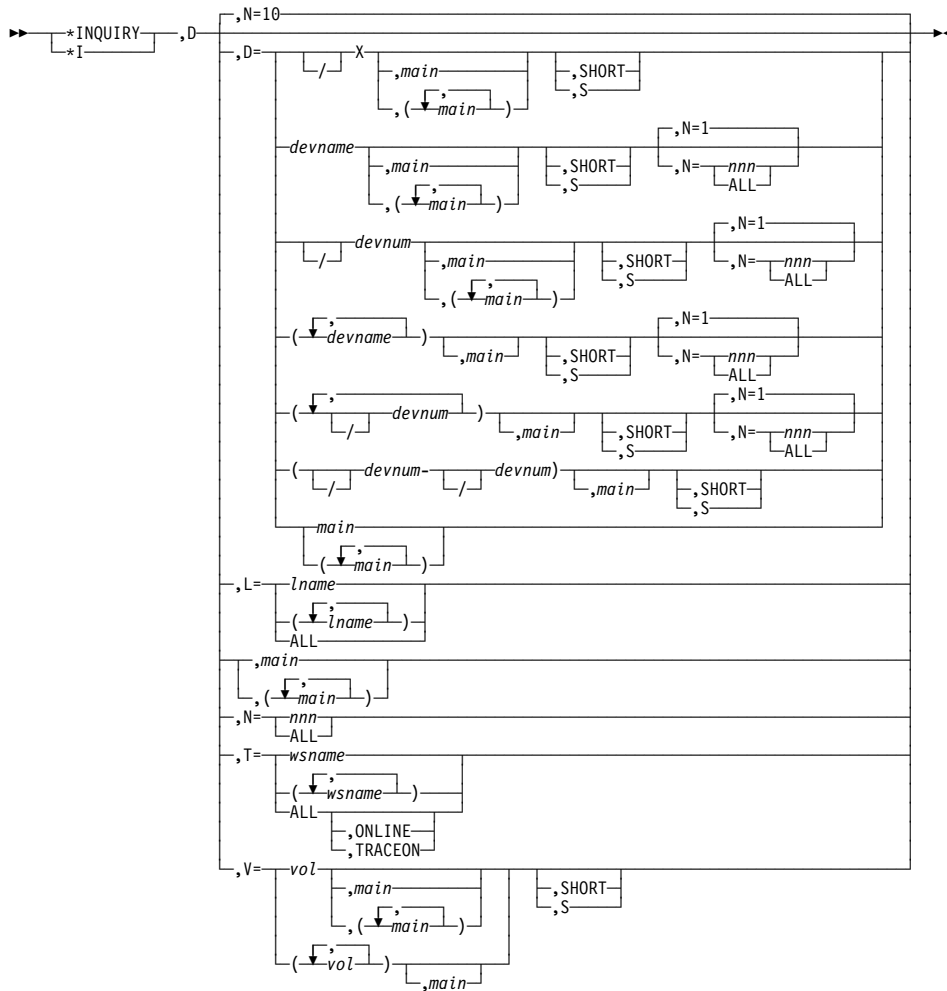
***INQUIRY or *I Buffer Pools**



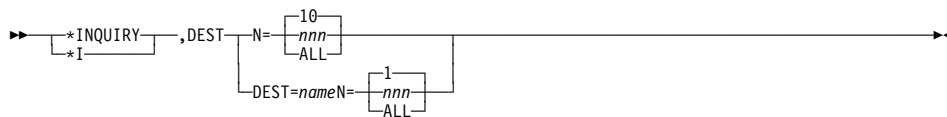
***INQUIRY or *I Job Classes**



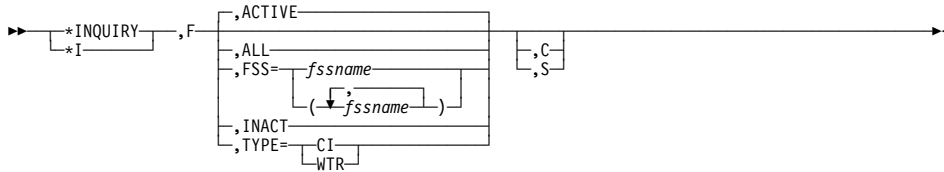
***INQUIRY or *I Displaying RJP Status and Device Status**



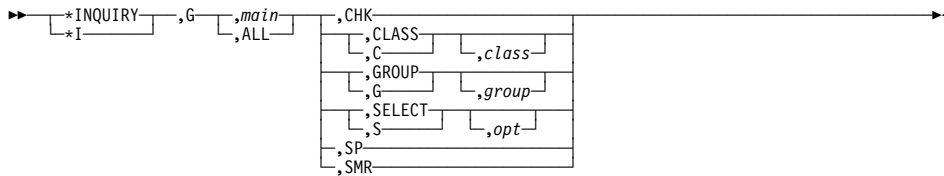
***INQUIRY or *I,DEST Displaying Defined Destinations for Inbound NJE SYSOUT**



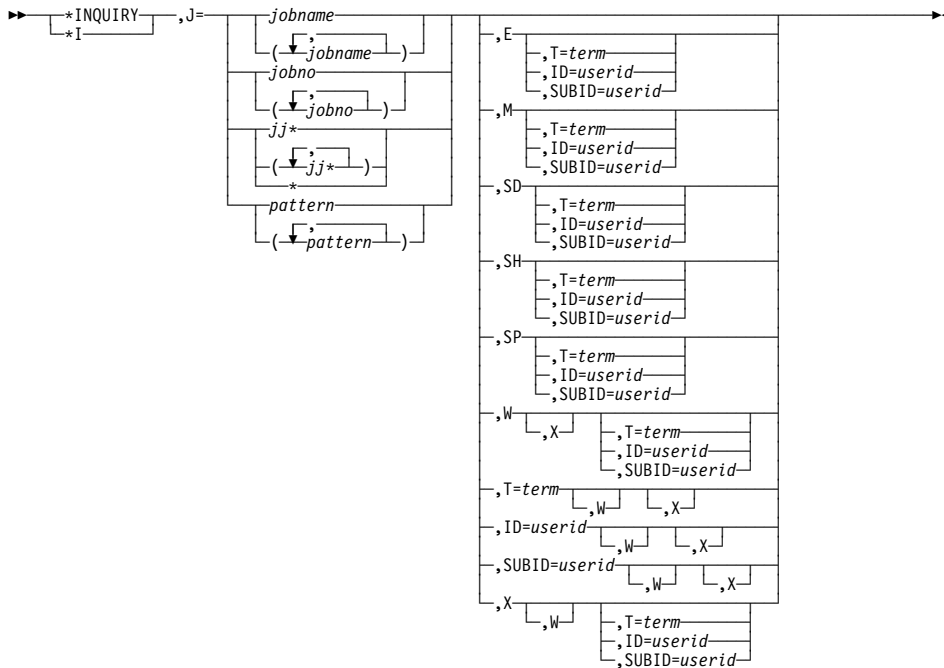
***INQUIRY or *I FSSs**



***INQUIRY or *I GMS**



***INQUIRY or *I JES3 Jobs**



***INQUIRY or *I Deadline**



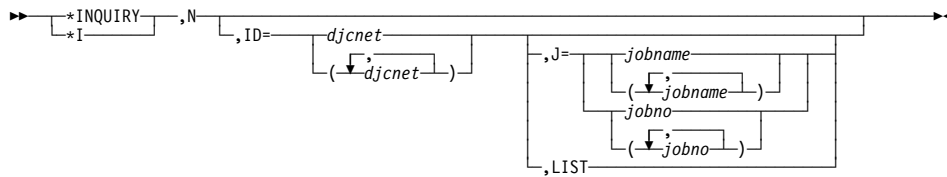
***INQUIRY or *I MCS Routing Codes**



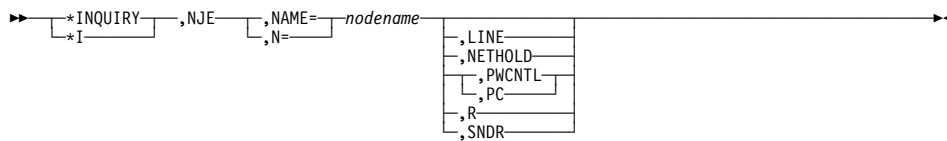
***INQUIRY or *I Writer Output Multitasking**



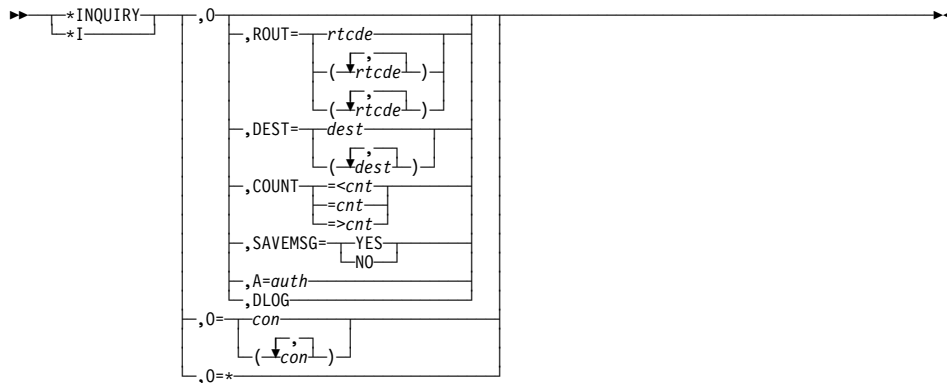
***INQUIRY or *I DJC Networks**



***INQUIRY or *I JES3 Networking**



***INQUIRY or *I RJP consoles**



***INQUIRY or *I Priorities**

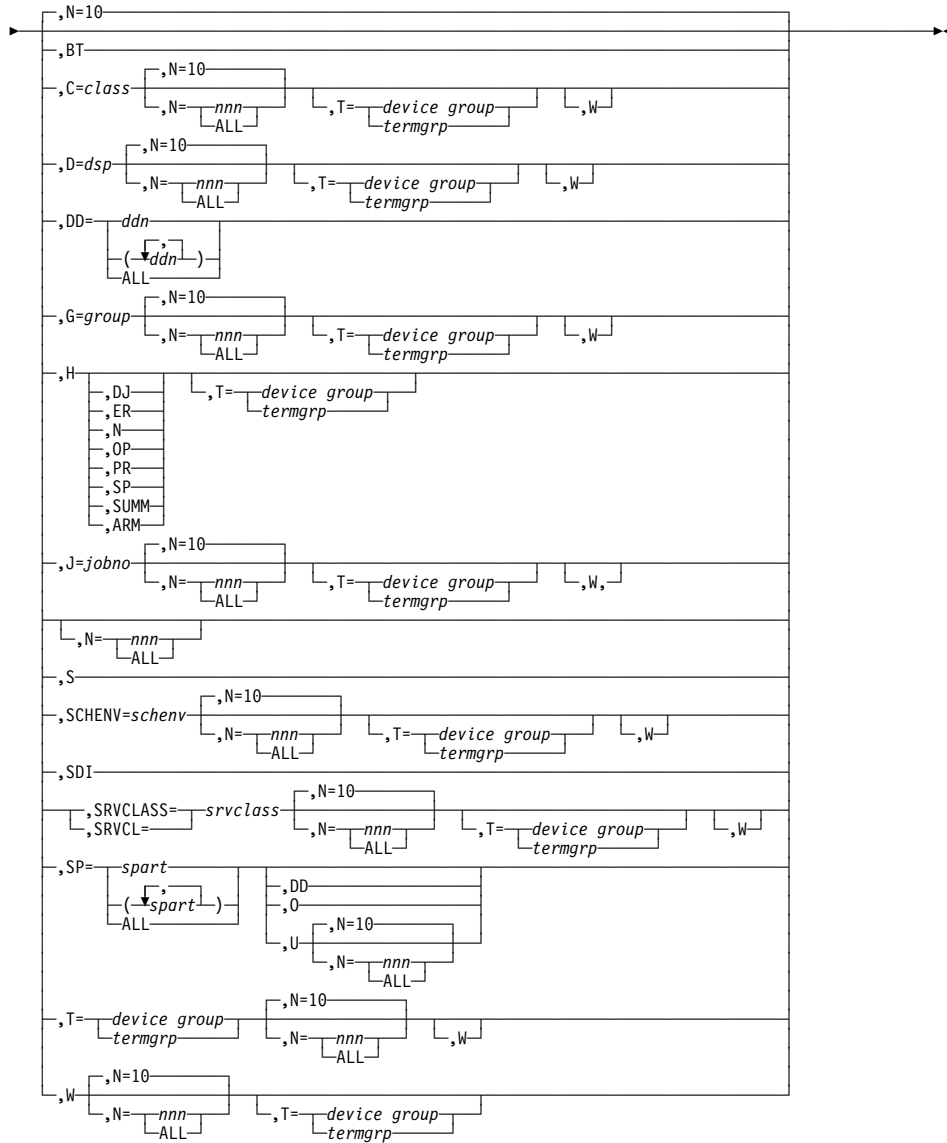
► *INQUIRY
 *I
 ,P=*prty*
 ,P=(*prty*)
 ,N=*10*
 ,N=*nnn*
 ALL
 ,T=*term*
 ,W

*INQUIRY or *I Procedure Libraries

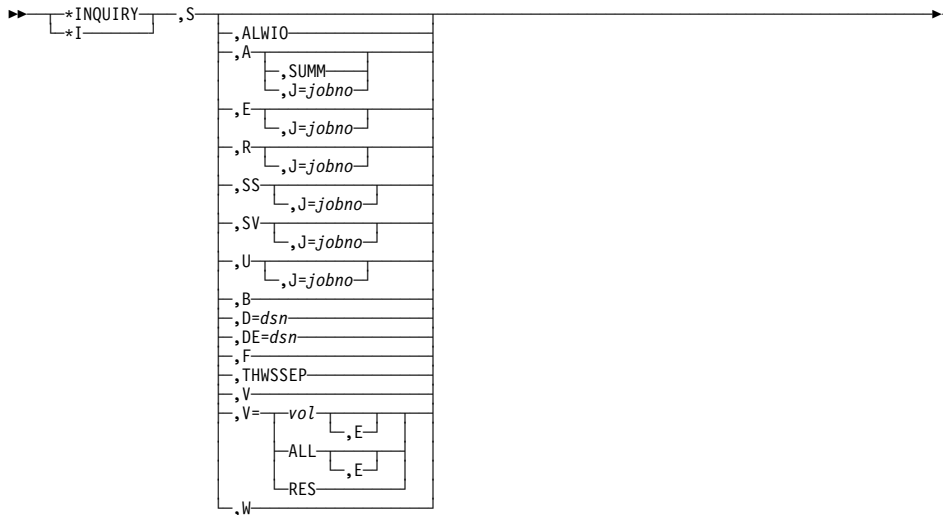
► *INQUIRY
 *I
 ,PROCLIB
 ,ID=*procid*

*INQUIRY or *I Job Queue Status

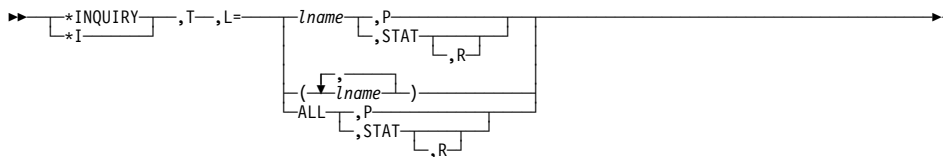
► *INQUIRY
 *I
 ,Q



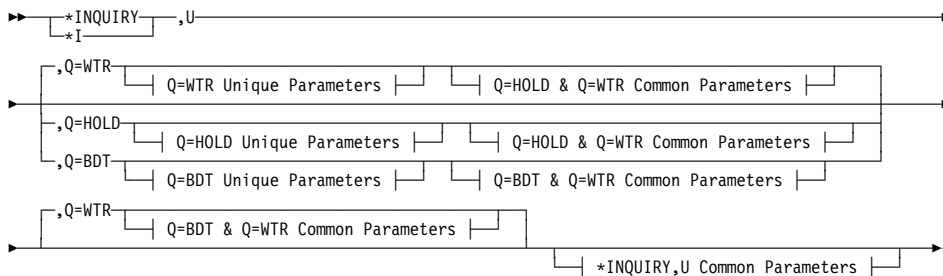
***INQUIRY or *I MDS Setup**



***INQUIRY or *I BSC RJP Lines**



***INQUIRY or *I U for Q=BDT, Q=HOLD, or Q=WTR**



Q=HOLD Unique Parameters:

```

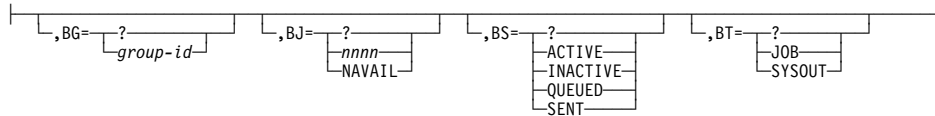
,DSID=?
, W=?
  ddn      extwriter
  
```

Q=WTR Unique Parameters:

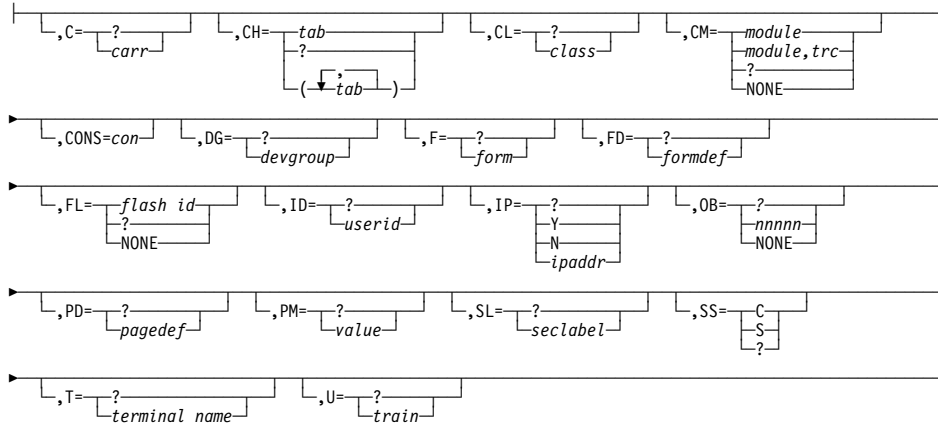
```

,GT=PRT
,GT=?
,ST=?
  (PRT,PUN)  devtype
  
```

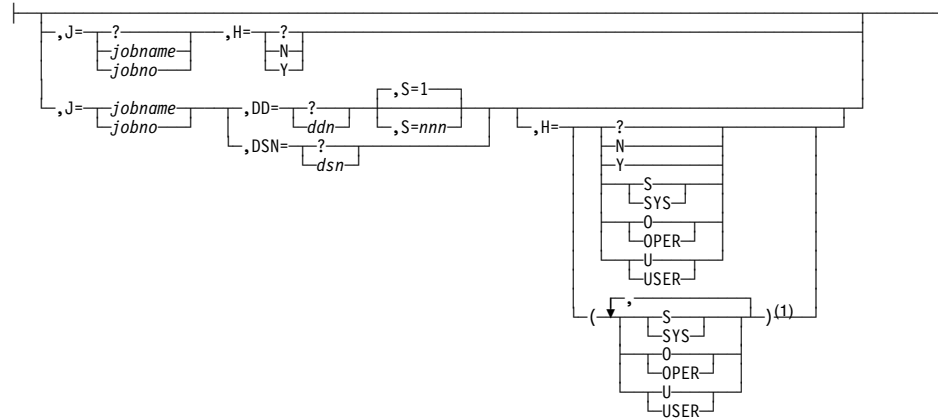
Q=BDT Unique Parameters:



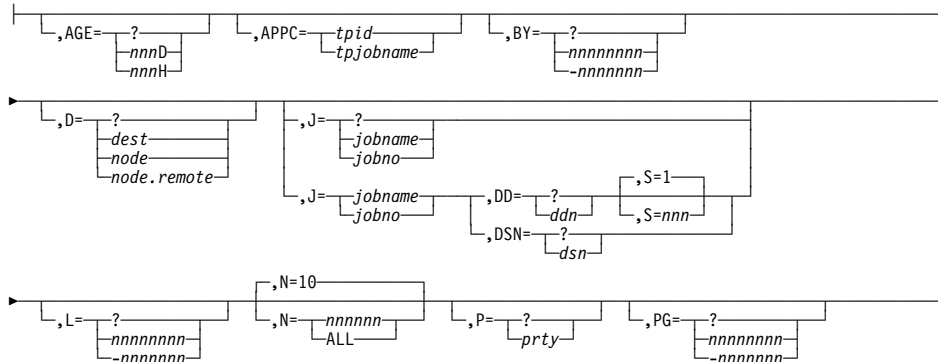
Q=HOLD & Q=WTR Common Parameters:

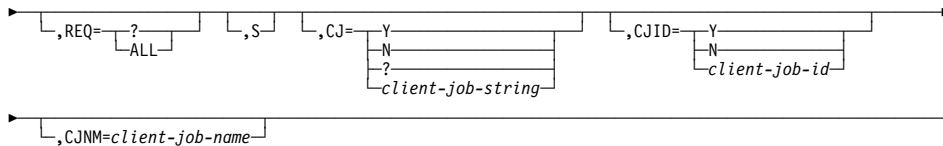


Q=BDT & Q=WTR Common Parameters:



***INQUIRY,U Common Parameters:**





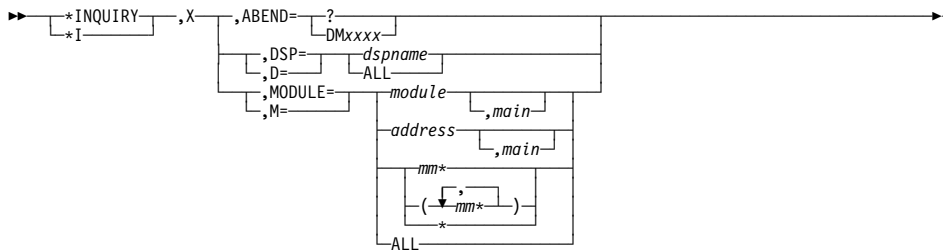
Note:

¹ Do not repeat a specific parameter within these parentheses. For example, you can code all three parameters separated by commas (S,O,U) or any combination of two of the parameters separated by a comma (S,O) or (S,U), or (O,U).

***INQUIRY WTO, Pace Monitoring**



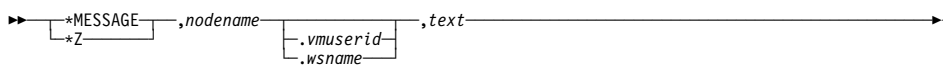
***INQUIRY or *I DSP and Module Use Counts**



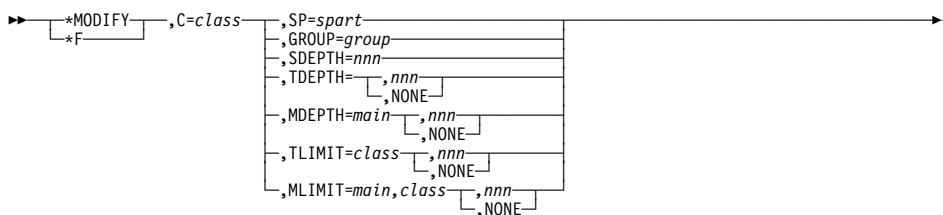
***MESSAGE,dest or *Z**



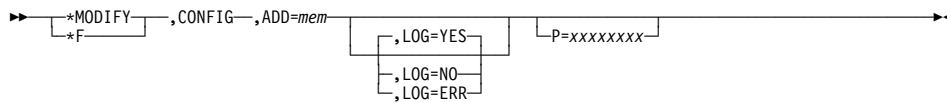
***MESSAGE or *Z**



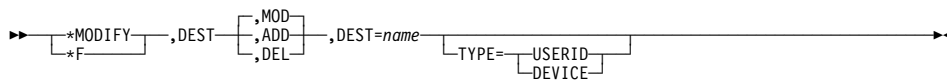
***MODIFY or *F Spool Partition**



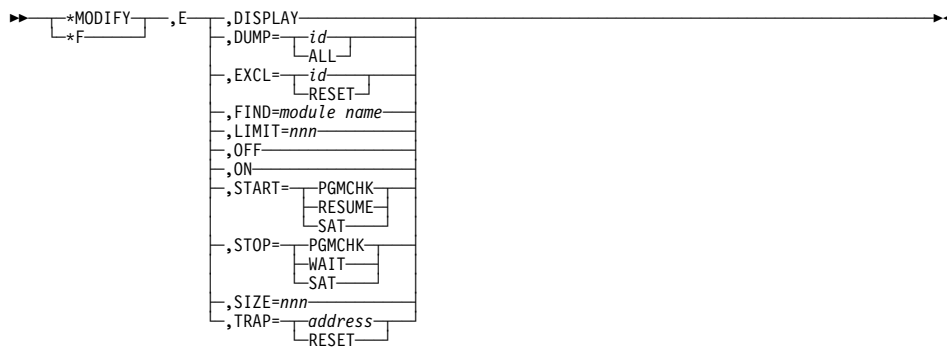
*MODIFY or *F Configuration



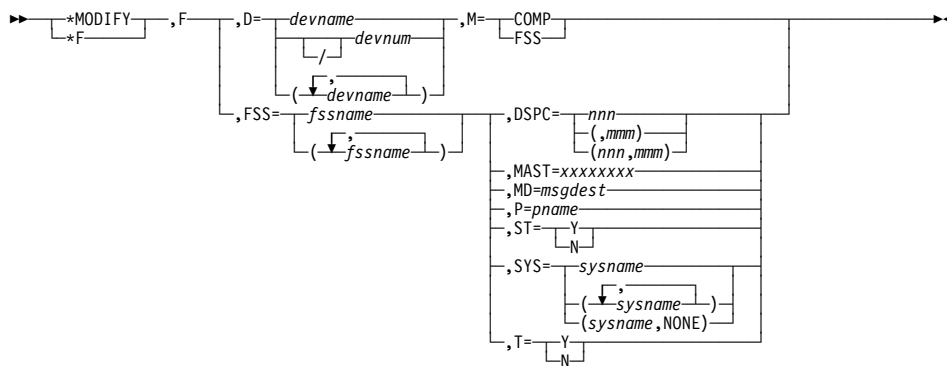
*MODIFY or *F,DEST Changing Defined Destinations for Inbound NJE SYSOUT



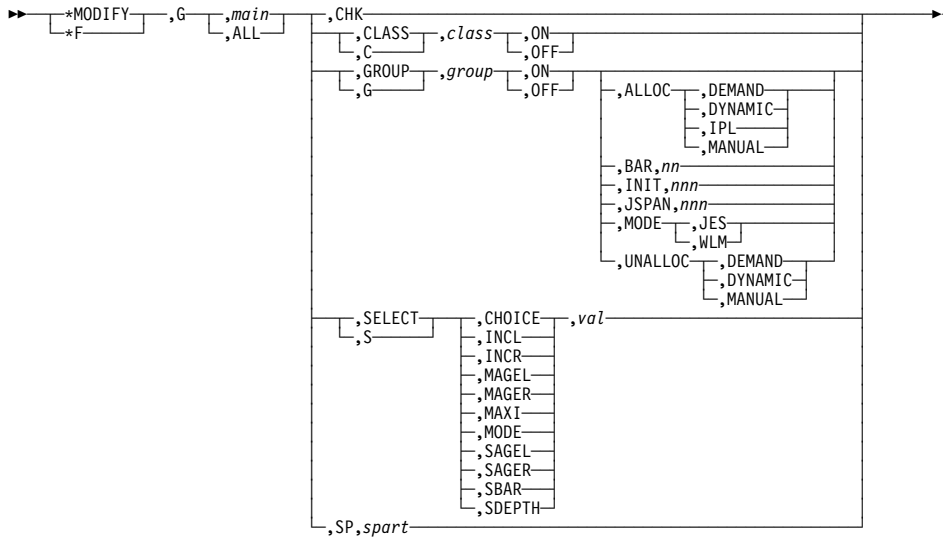
*MODIFY or *F Event Tracing



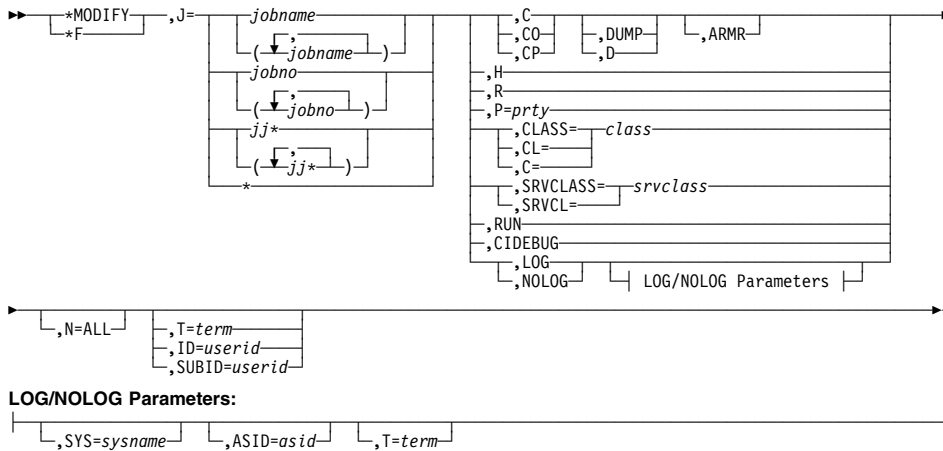
*MODIFY or *F FSSs



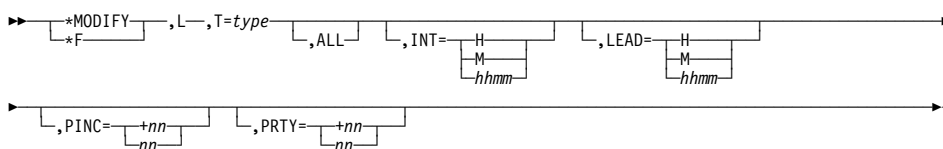
*MODIFY or *G GMS



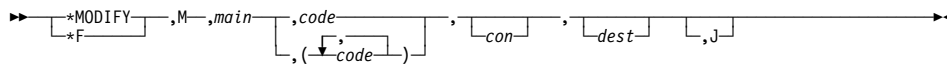
*MODIFY or *F JES3 Jobs



*MODIFY or *F Deadline Scheduling



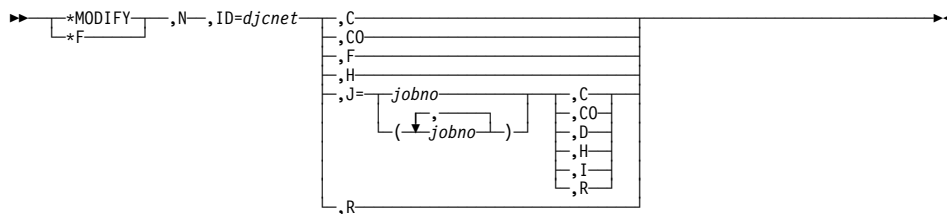
***MODIFY or *F MCS Routing Codes**



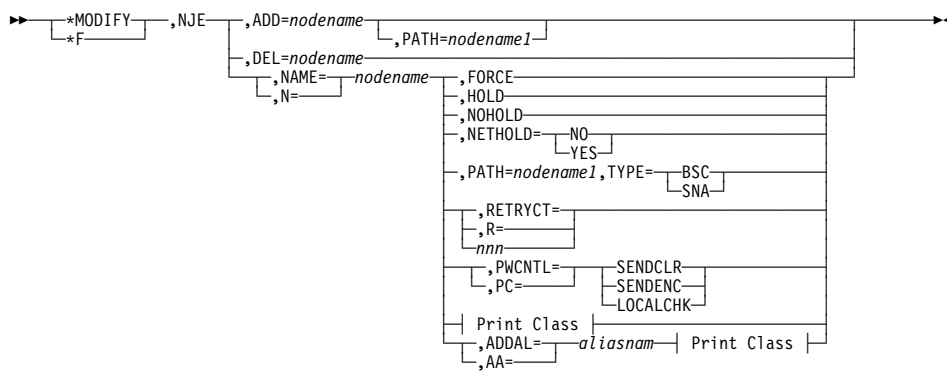
***MODIFY or *F Writer Output Multitasking**



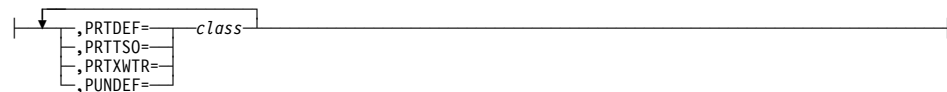
***MODIFY or *F DJC Network**



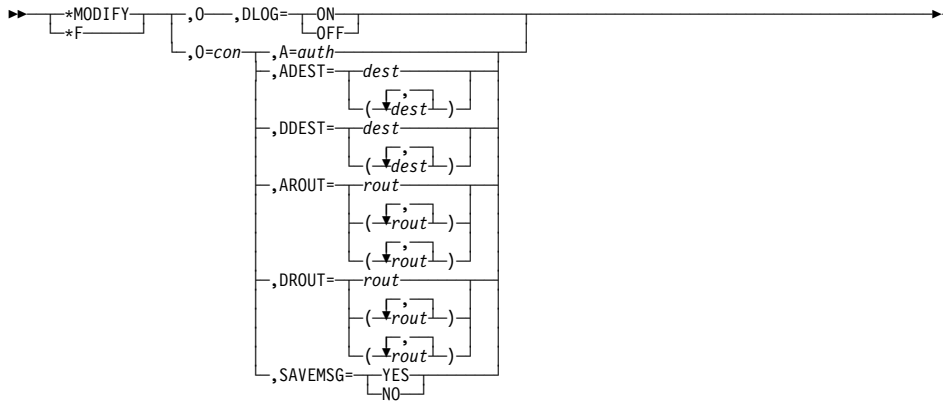
***MODIFY or *F JES Networking**



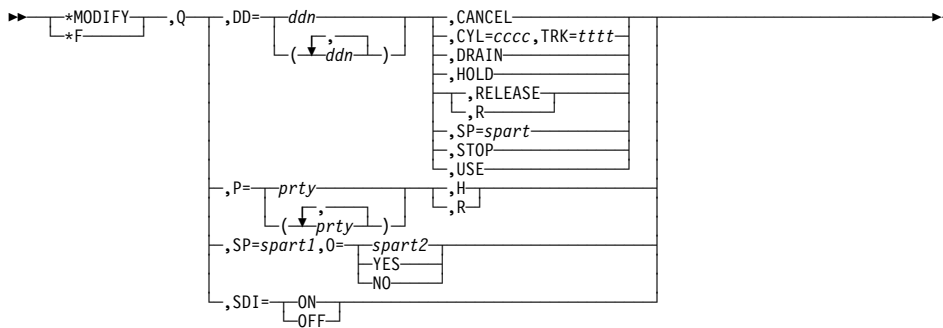
Print Class:



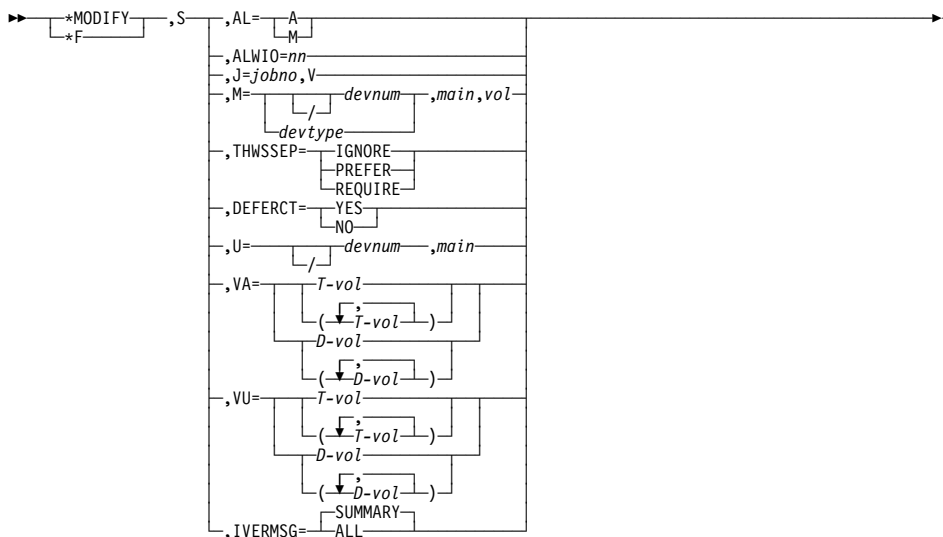
***MODIFY or *F RJP Consoles**



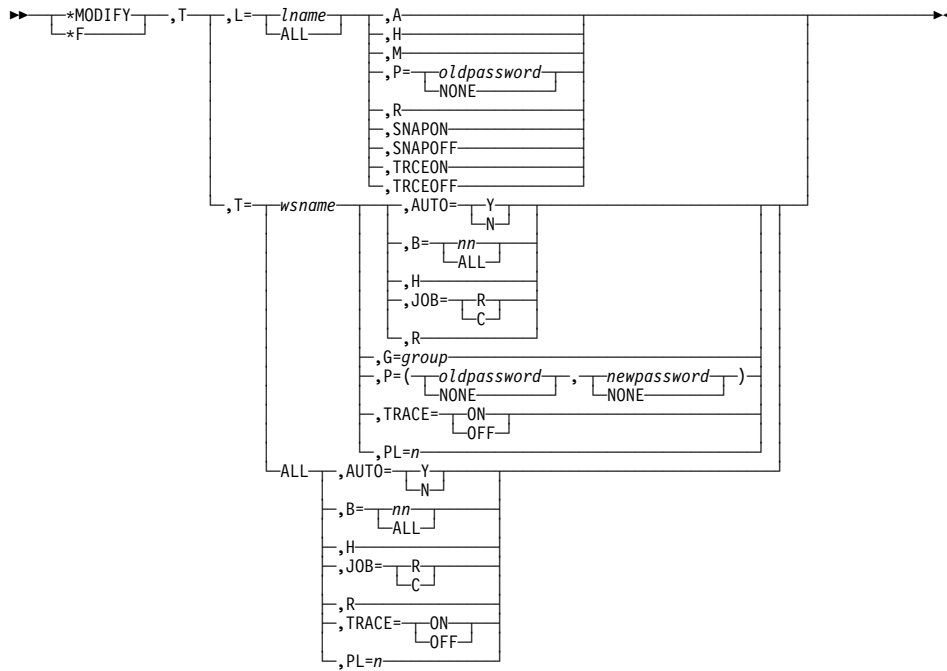
*MODIFY or *F Job Queue Spool Data Sets



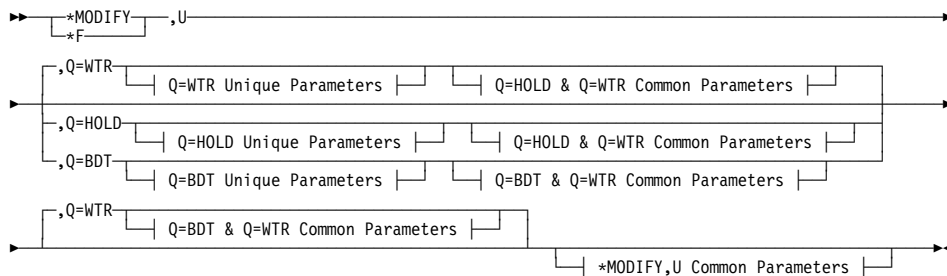
*MODIFY or *F MDS Setup



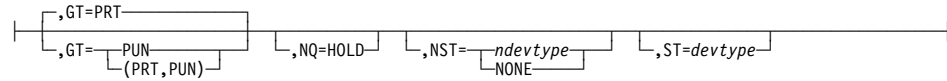
***MODIFY or *F BSC ro SNA RJP Workstations**



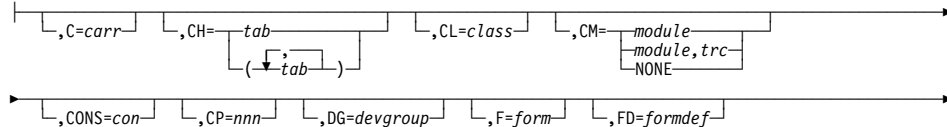
***MODIFY or *F U for Q=BDT, Q=HOLD, or Q=WTR**

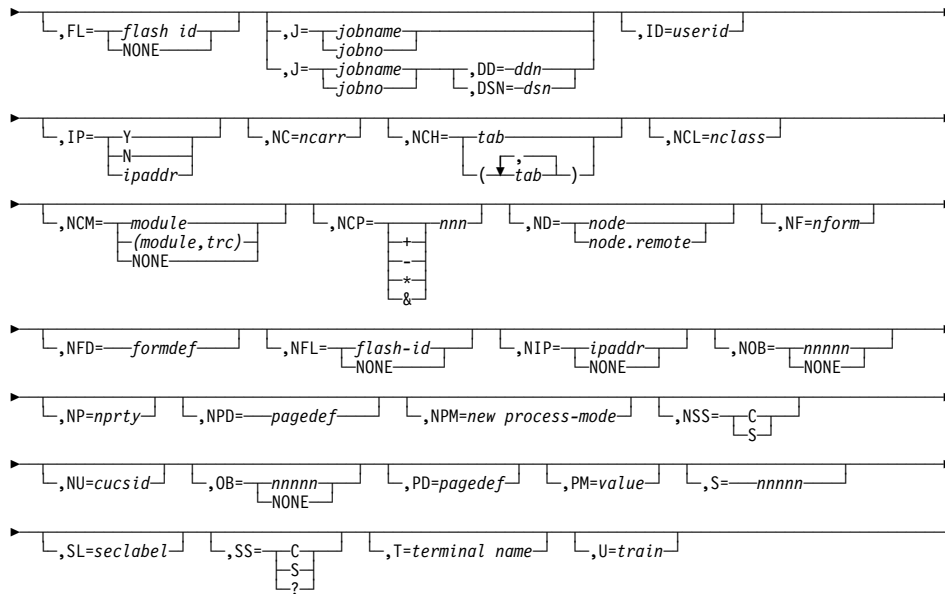


Q=WTR Unique Parameters:

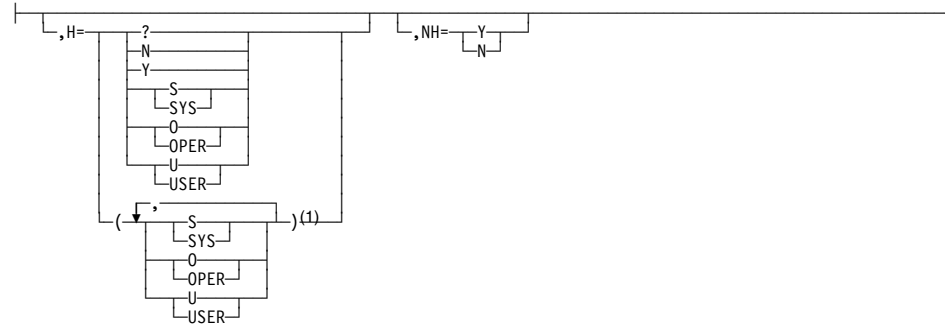


Q=HOLD & Q=WTR Common Parameters:

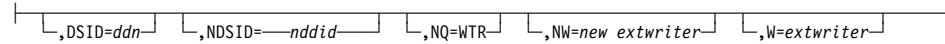




Q=BDT & Q=WTR Common Parameters:



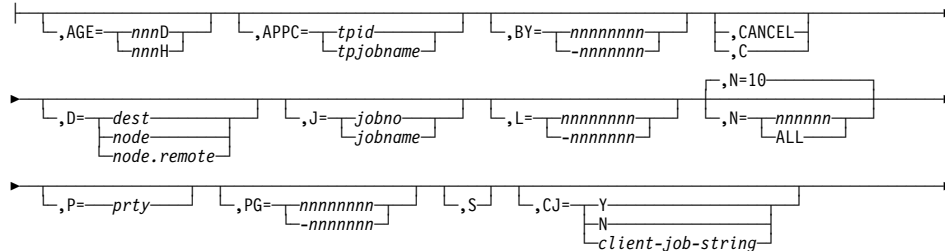
Q=HOLD Unique Parameters:

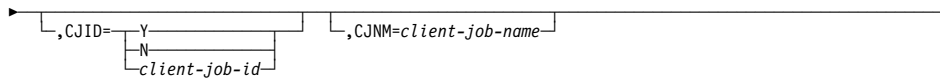


Q=BDT Unique Parameters:



***MODIFY, U Common Parameters:**





Note:

- 1 Do not repeat a specific parameter within these parentheses. For example, you can code all three parameters separated by commas (S,O,U) or any combination of two of the parameters separated by a comma (S,O) or (S,U), or (O,U).

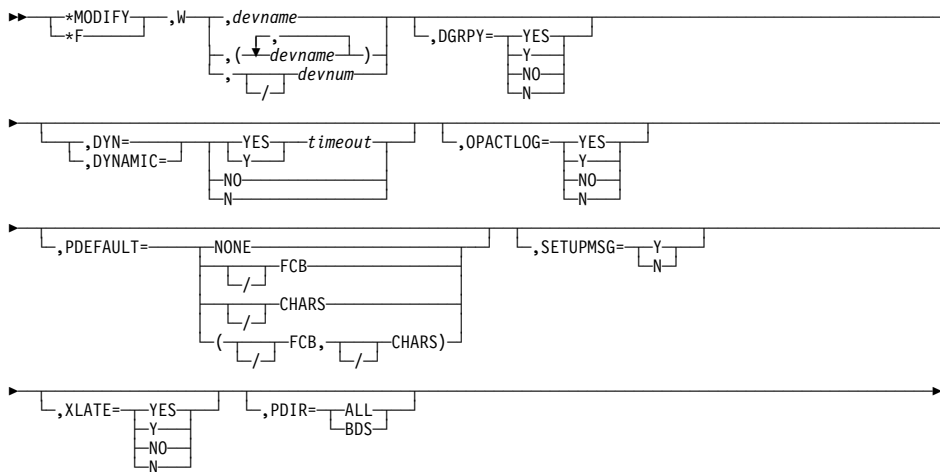
***MODIFY or *F Vary Function**



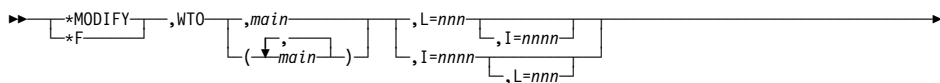
Note:

- 1 Use the parameters for *VARY command “*VARY or *V” on page 20

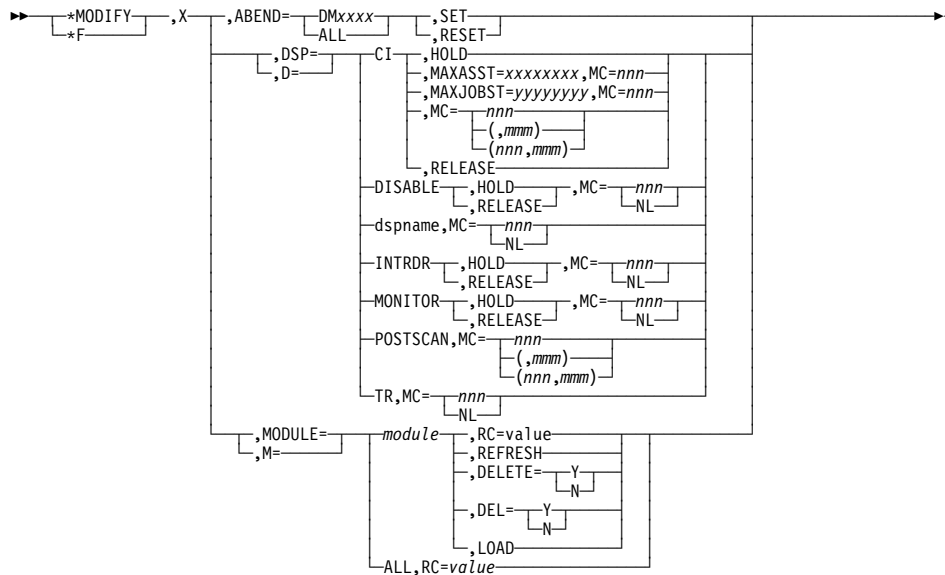
***MODIFY or *F Modify Writer Function**



***MODIFY or *F WTO, Pace Monitoring**



***MODIFY or *F DSP and Module Usage**



***RESTART or *R,DC**



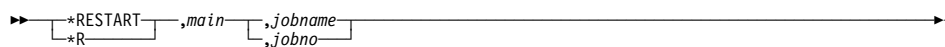
***RESTART or *R,devname**



***RESTART or *R,JESNEWS**

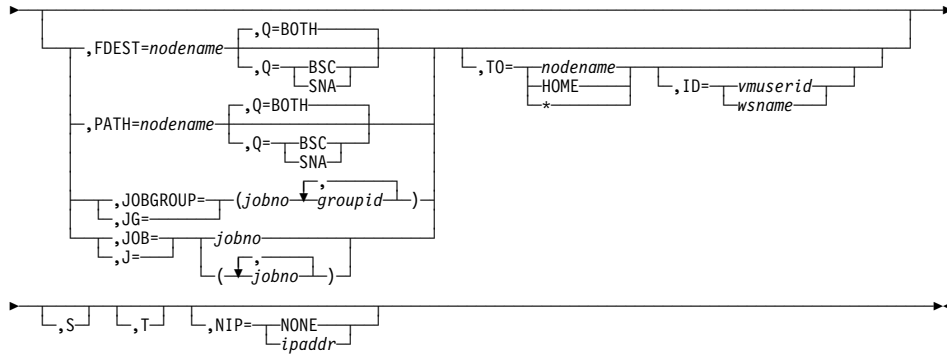


***RESTART or *R,main**



***RESTART or *R,NJEROUT**





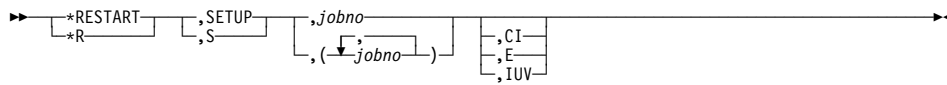
***RESTART or *R,RJP**



***RESTART or *R,RJPSNPS**



***RESTART or *R,SETUP**



***RESTART or *R,SNARJP**



***RETURN**

Local Syntax



Global Syntax



*SEND,nodename



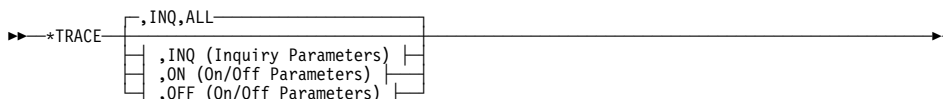
*START or *S



*SWITCH



*TRACE



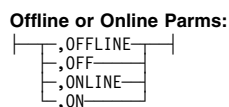
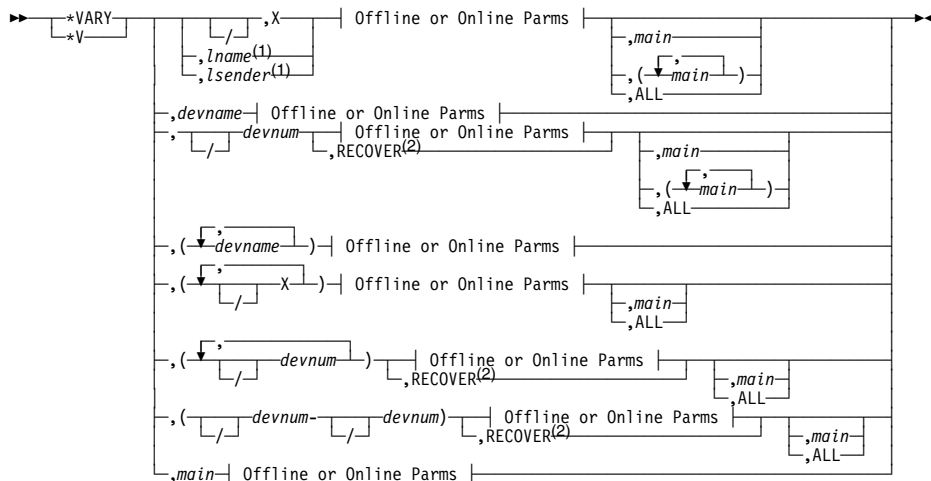
Inquiry Parameters:



On/Off Parameters:



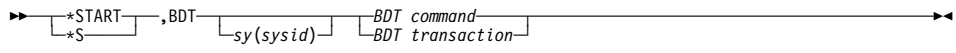
*VARY or *V



Notes:

- 1 You cannot code *lname* or *lsender* with *main* or *ALL*.
- 2 You cannot code *RECOVER* with *ALL*. You must code *main* one or more times with *RECOVER*.

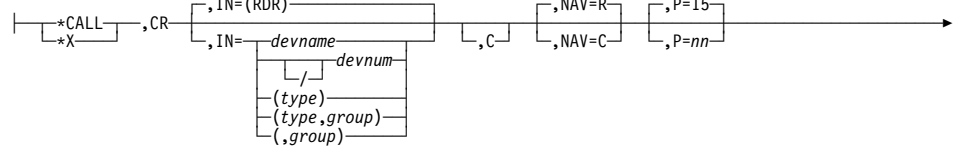
BDT DSP: Sending MVS/BDT Commands from a JES3 Console



CR, DR, TR DSPs: Input Service Readers

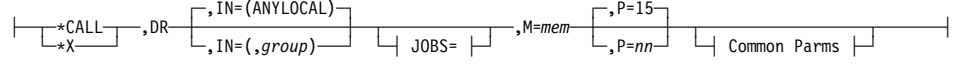


***CALL or *X, CR:**

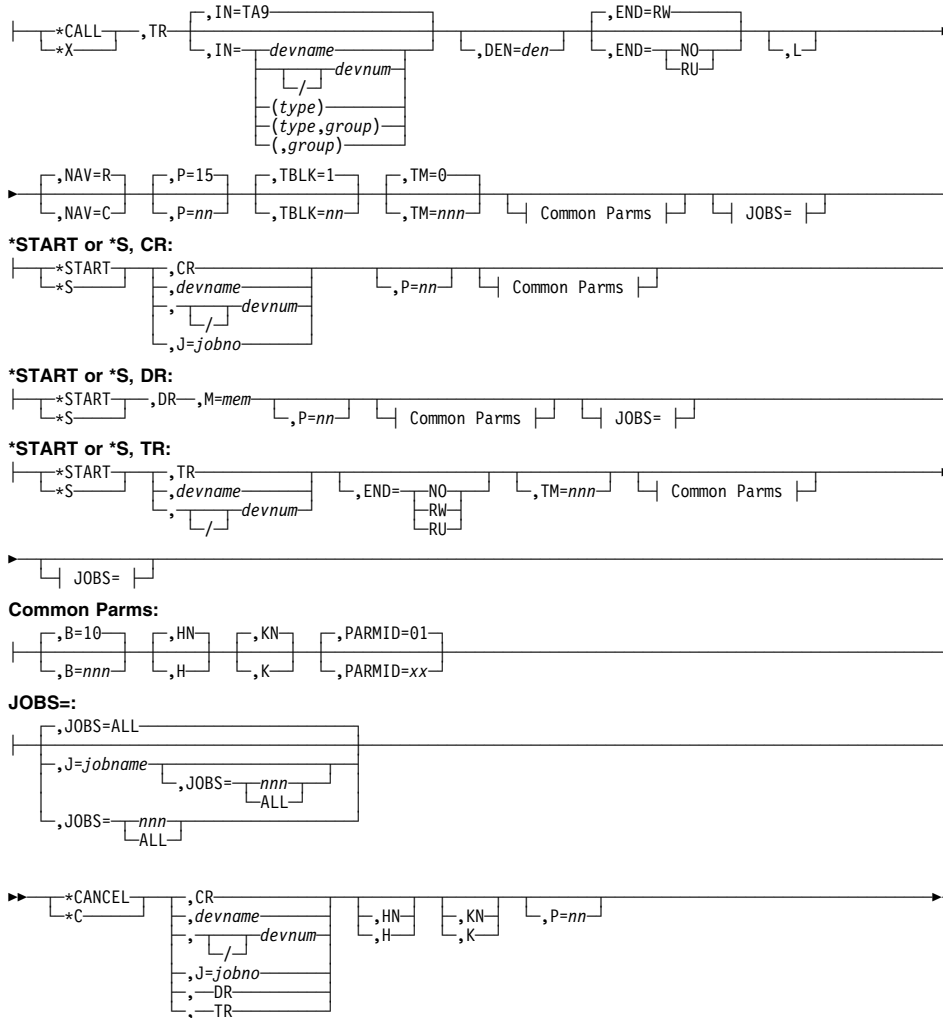


Common Parms

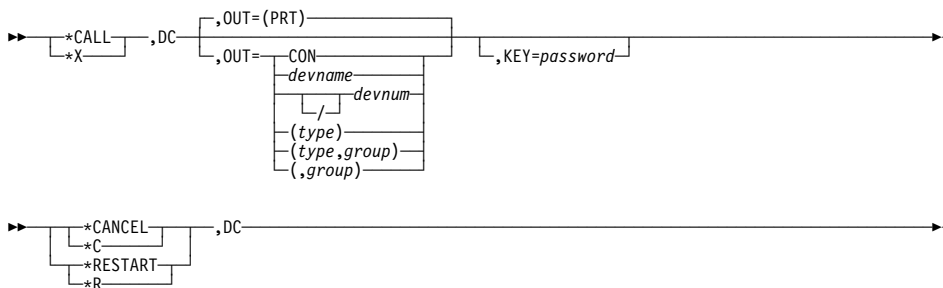
***CALL or *X, DR:**

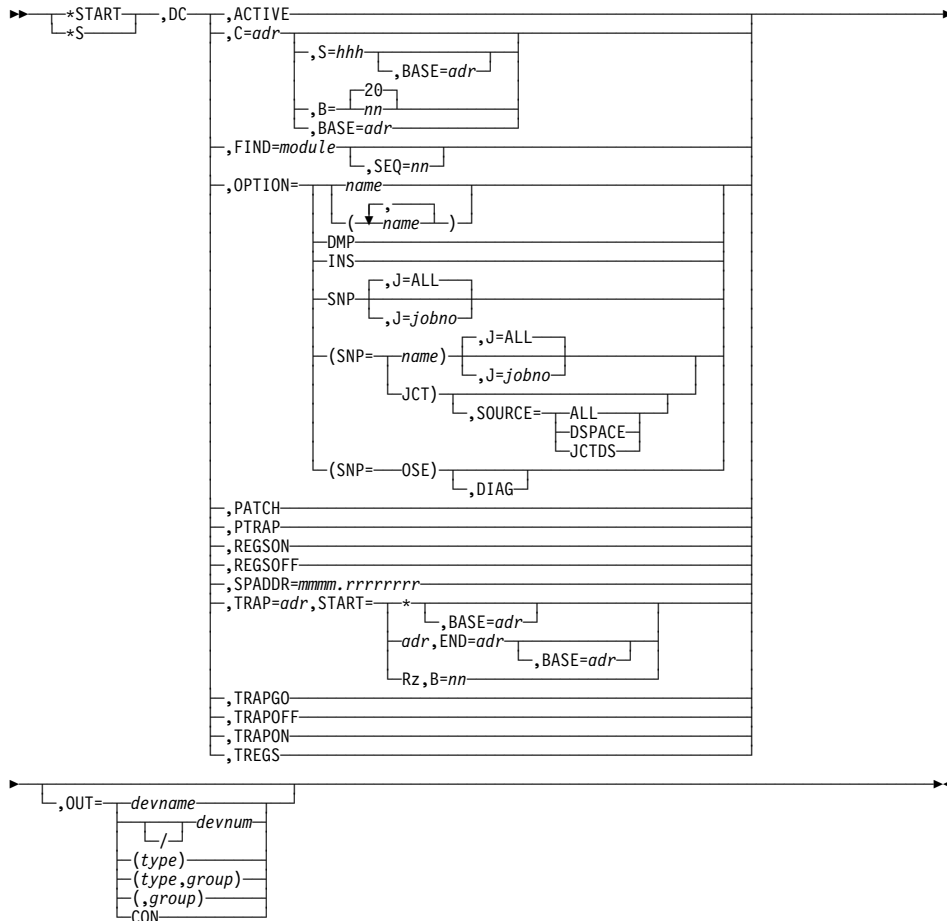


***CALL or *X, TR:**

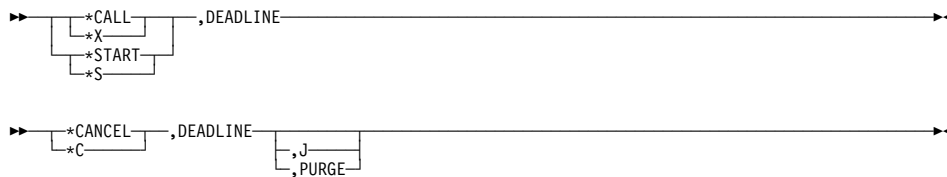


DC DSP: Dump Core

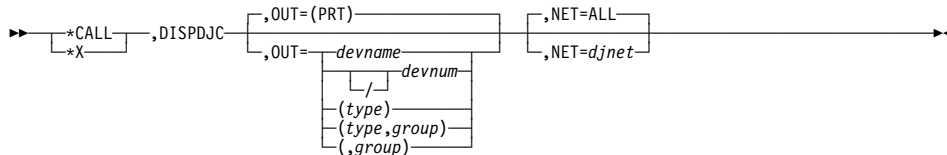




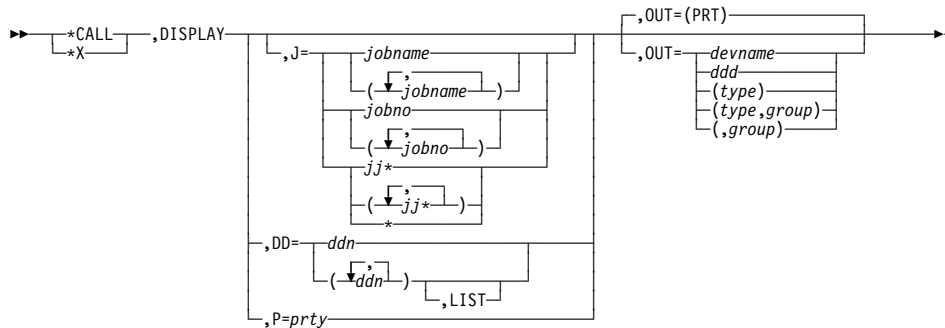
DEADLINE DSP: Deadline Scheduling



DISPDJC DSP: Display Dependent Job Control Tables

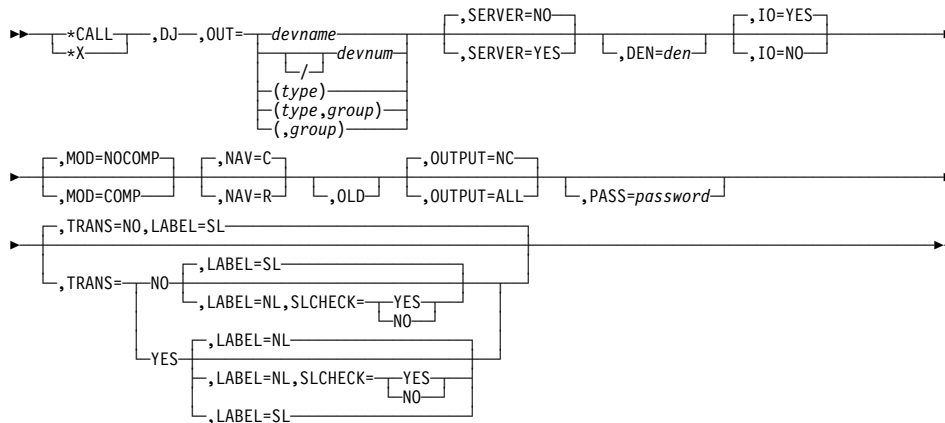


DISPLAY DSP

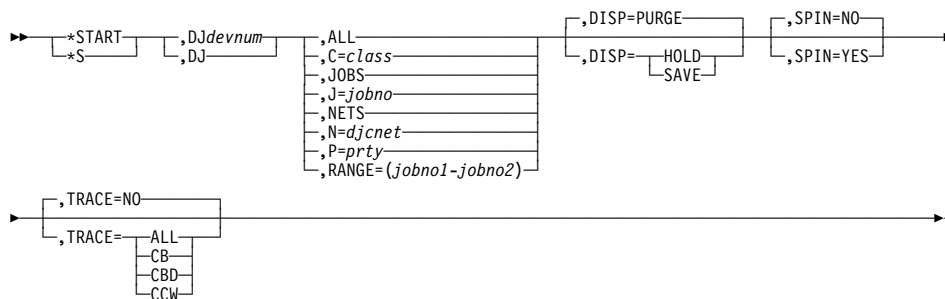


DJ DSP: Dump Job

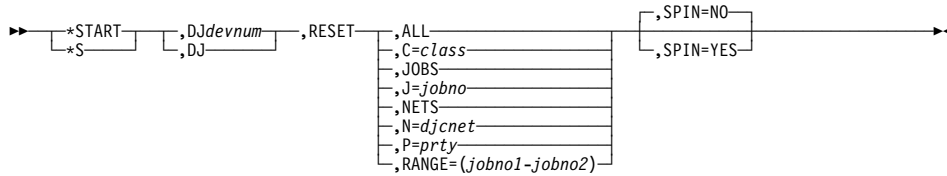
OUT MODE



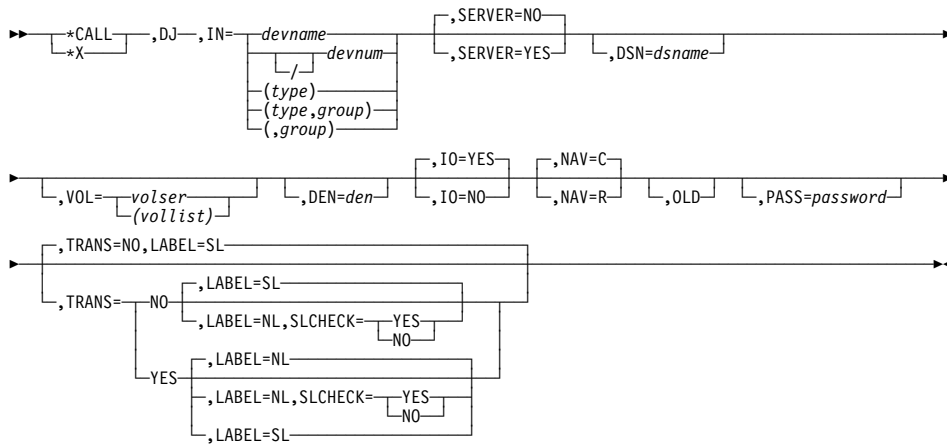
OUT MODE



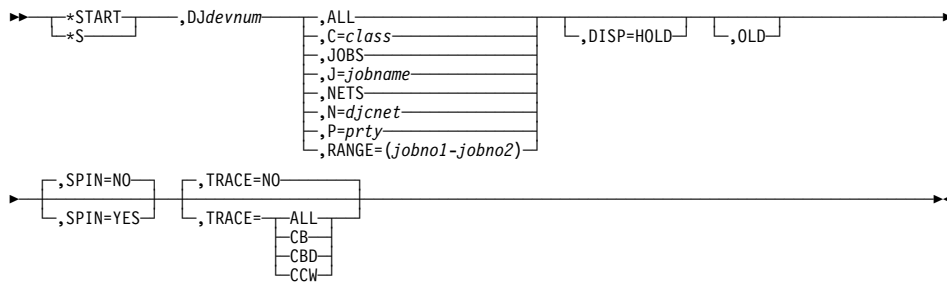
OUT MODE — Reset DJ Dump Control Flags



IN MODE



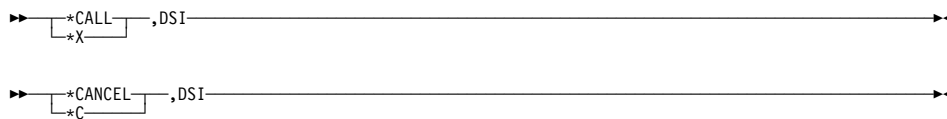
IN MODE



CANCEL



DSI DSP: Dynamic System Interchange



▶▶ `*START` `DSI`

IC DSP: Iteration Count

▶▶ `*CALL` `IC` `EP=entry point`

▶▶ `*START` `IC`

▶▶ `*CANCEL` `IC`

INTRDR DSP: Internal Reader

▶▶ `*CANCEL` `altname` `INTRDR`

JESNEWS DSP

▶▶ `*CALL` `JESNEWS` `DS=LCL` `KEY=password` `TYPE=ADD`

▶▶ `*START` `JESNEWS` `text`

▶▶ `*RESTART` `JESNEWS`

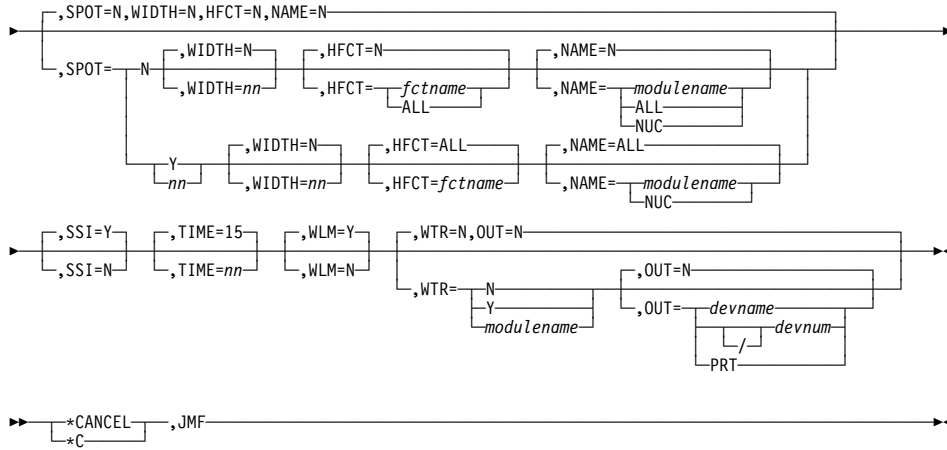
▶▶ `*CANCEL` `JESNEWS`

JMF DSP: JES3 Monitoring Facility

▶▶ `*CALL` `JMF` `DEBUG=N` `DESTQ=Y`

▶▶ `FCT=250,AWAIT=45,WAIT=100` `INTERVAL=15` `INTRDR=Y`

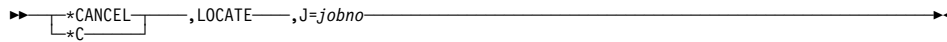
▶▶ `JOB=50,JSTAT=5` `SDM=Y` `SMF=Y`



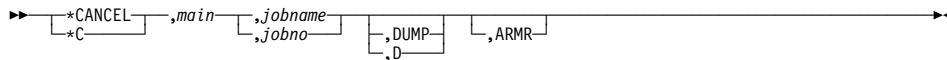
JSS



Locate Processing, Cancel a Job

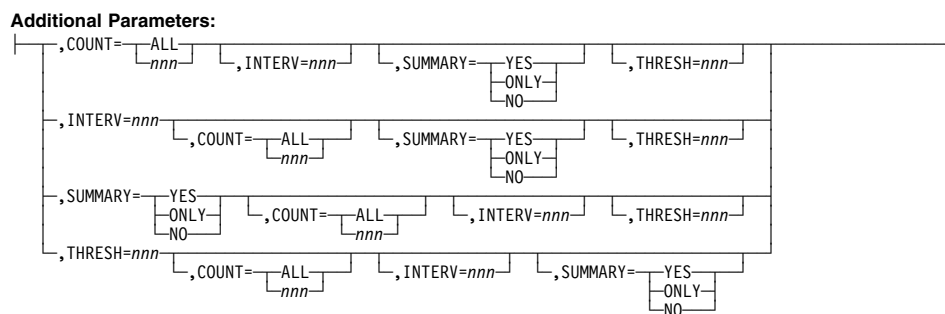
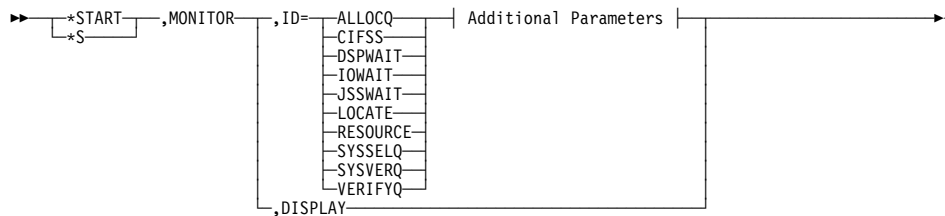


MAIN DSP: Main Service

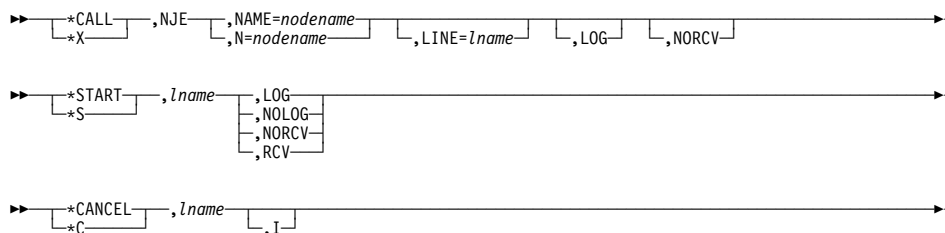


MONITOR DSP

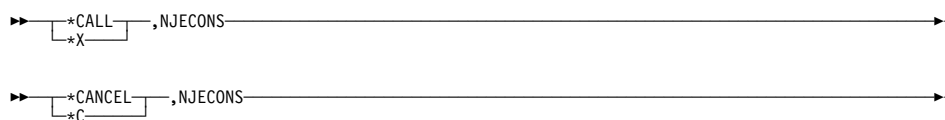




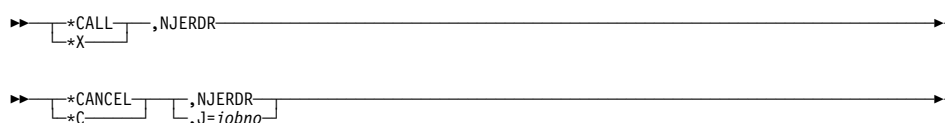
NJE DSP: JES3 Networking Line Manager



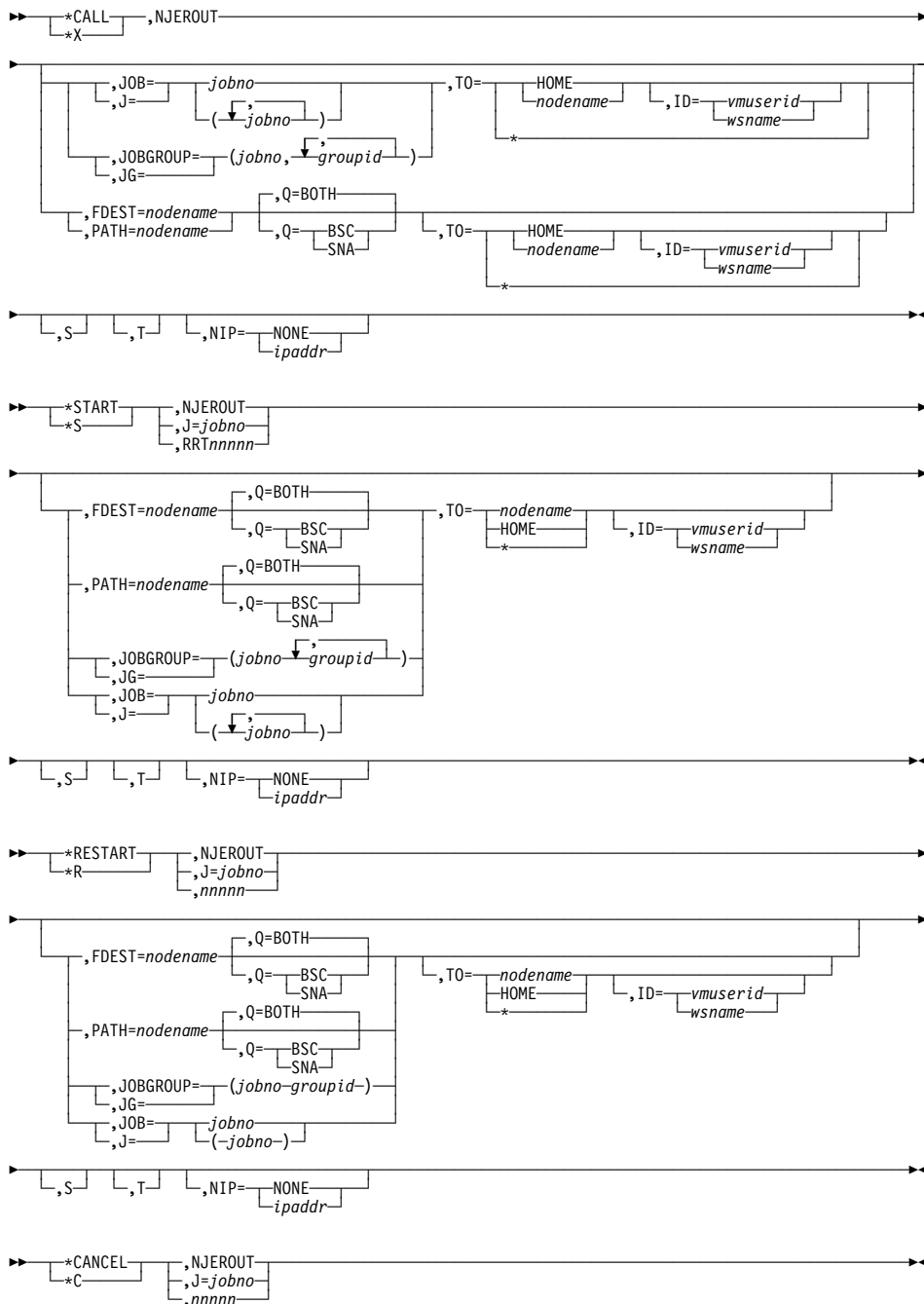
NJECONS DSP: JES3 Networking Console Support



NJERDR DSP: Networking Job Entry Reader



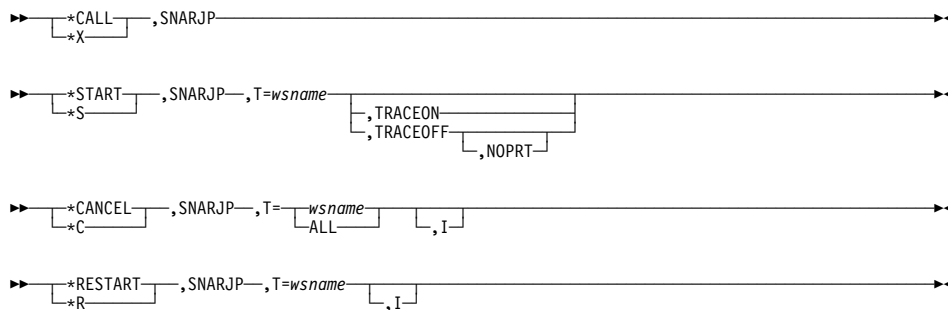
NJEROUT DSP



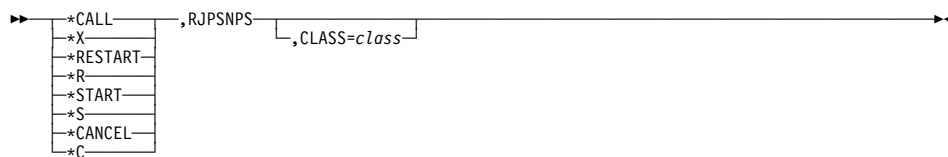
RJP DSPs: BSC RJP and SNA RJP



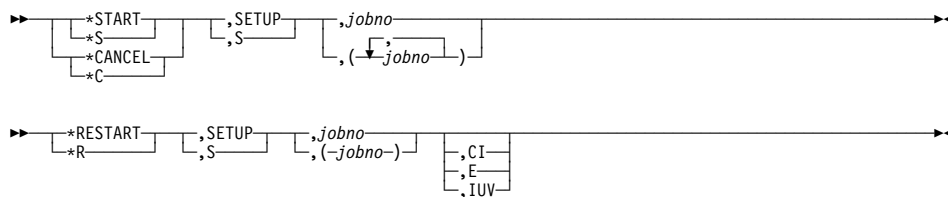
SNA RJP DSP



RJPSNPS DSP: RJP Snapshot Dumps



SETUP DSP: Main Device Scheduler (MDS)



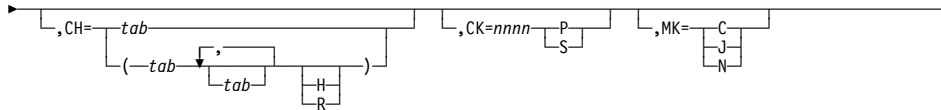
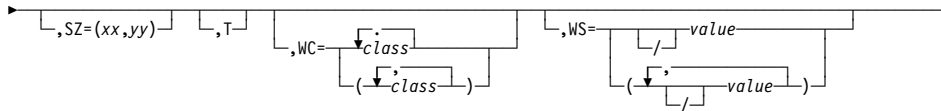
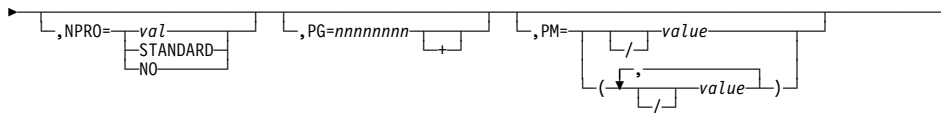
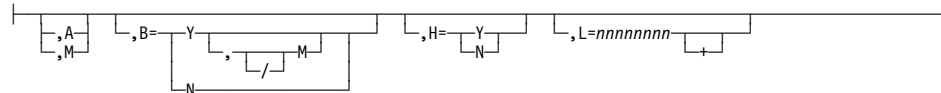
***R, *S, *C Common Parm:**



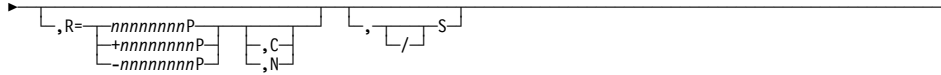
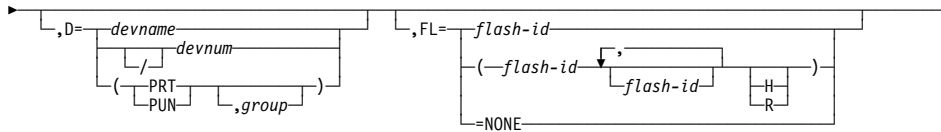
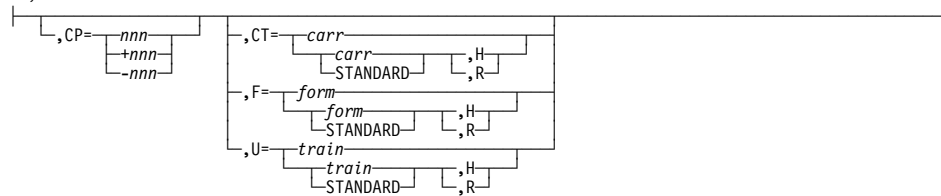
***X, *R, *C, *S Common Parm:**



***X, *R, *S Common Parm:**



***R, *S Common Parm:**



***X, *S Common Parm:**



Signing On/Logging on to an RJP Workstation



Signing Off of a BSC FJP Workstation

▶▶ / *SIGNOFF

Logging On to a SNA RJP Workstation

▶▶ LOGON—APPLID(*applname*) LOGMODE(*mode-table-name*)
▶ DATA(*wsname*, *oldpassword* *newpassword*)

Logging On to a SNA RJP Workstation

▶▶ LOGOFF TYPE (COND) (UNCOND) HOLD (YES) (NO)

Appendix A. Notices

This information was developed for products and services offered in the USA. IBM may not offer the products, services, or features discussed in this document in other countries. Consult your local IBM representative for information on the products and services currently available in your area. Any reference to an IBM product, program, or service is not intended to state or imply that only that IBM product, program, or service may be used. Any functionally equivalent product, program, or service that does not infringe any IBM intellectual property right may be used instead. However, it is the user's responsibility to evaluate and verify the operation of any non-IBM product, program, or service.

IBM may have patents or pending patent applications covering subject matter described in this document. The furnishing of this document does not give you any license to these patents. You can send license inquiries, in writing, to:

IBM Director of Licensing
IBM Corporation
North Castle Drive
Armonk, NY 10504-1785
USA

For license inquiries regarding double-byte (DBCS) information, contact the IBM Intellectual Property Department in your country or send inquiries, in writing, to:

IBM World Trade Asia Corporation
Licensing
2-31 Roppongi 3-chome, Minato-ku
Tokyo 106, Japan

The following paragraph does not apply to the United Kingdom or any other country where such provisions are inconsistent with local law: INTERNATIONAL BUSINESS MACHINES CORPORATION PROVIDES THIS PUBLICATION "AS IS" WITHOUT WARRANTY OF ANY KIND, EITHER EXPRESS OR IMPLIED, INCLUDING, BUT NOT LIMITED TO, THE IMPLIED WARRANTIES OF NON-INFRINGEMENT, MERCHANTABILITY OR FITNESS FOR A PARTICULAR PURPOSE. Some states do not allow disclaimer of express or implied warranties in certain transactions, therefore, this statement may not apply to you.

This information could include technical inaccuracies or typographical errors. Changes are periodically made to the information herein; these changes will be incorporated in new editions of the publication. IBM may make improvements and/or changes in the product(s) and/or the program(s) described in this publication at any time without notice.

Any references in this information to non-IBM Web sites are provided for convenience only and do not in any manner serve as an endorsement of those Web sites. The materials at those Web sites are not part of the materials for this IBM product and use of those Web sites is at your own risk.

IBM may use or distribute any of the information you supply in any way it believes appropriate without incurring any obligation to you.

Licensees of this program who wish to have information about it for the purpose of enabling: (i) the exchange of information between independently created programs and other programs (including this one) and (ii) the mutual use of the information which has been exchanged, should contact:

IBM Corporation
Mail Station P300
2455 South Road
Poughkeepsie, NY 12601-5400
USA

Such information may be available, subject to appropriate terms and conditions, including in some cases, payment of a fee.

The licensed program described in this information and all licensed material available for it are provided by IBM under terms of the IBM Customer Agreement, IBM International Program License Agreement, or any equivalent agreement between us.

If you are viewing this information softcopy, the photographs and color illustrations may not appear.

Programming Interface Information

JES3 Commands Summary documents intended Programming Interfaces that allow the customer to write programs to obtain the services of OS/390.

Trademarks

The following terms are trademarks of International Business Machines Corporation in the United States, or other countries, or both:

- BookManager
- DFSMS
- IBM
- IBMLink
- MVS
- MVS/ESA
- OS/390
- RACF
- VTAM

Other company, product, and service names may be trademarks or service names of others.

Communicating Your Comments to IBM

OS/390
JES3 Commands Summary
Publication No. GX22-0042-09

If you especially like or dislike anything about this book, please use one of the methods listed below to send your comments to IBM. Whichever method you choose, make sure you send your name, address, and telephone number if you would like a reply.

Feel free to comment on specific errors or omissions, accuracy, organization, subject matter, or completeness of this book. However, the comments you send should pertain to only the information in this manual and the way in which the information is presented. To request additional publications, or to ask questions or make comments about the functions of IBM products or systems, you should talk to your IBM representative or to your IBM authorized remarketer.

When you send comments to IBM, you grant IBM a nonexclusive right to use or distribute your comments in any way it believes appropriate without incurring any obligation to you.

If you are mailing a reader's comment form (RCF) from a country other than the United States, you can give the RCF to the local IBM branch office or IBM representative for postage-paid mailing.

- If you prefer to send comments by mail, use the RCF at the back of this book.
- If you prefer to send comments by FAX, use this number:
 - FAX: (International Access Code)+1+845+432-9405
- If you prefer to send comments electronically, use one of these network IDs:
 - Internet e-mail: mhvrcfs@us.ibm.com
 - World Wide Web: <http://www.ibm.com/s390/os390/webqs.html>

Make sure to include the following in your note:

- Title and publication number of this book
- Page number or topic to which your comment applies

Optionally, if you include your telephone number, we will be able to respond to your comments by phone.

Reader's Comments — We'd Like to Hear from You

OS/390

JES3 Commands Summary

Publication No. GX22-0042-09

You may use this form to communicate your comments about this publication, its organization, or subject matter, with the understanding that IBM may use or distribute whatever information you supply in any way it believes appropriate without incurring any obligation to you. Your comments will be sent to the author's department for whatever review and action, if any, are deemed appropriate.

Note: Copies of IBM publications are not stocked at the location to which this form is addressed. Please direct any requests for copies of publications, or for assistance in using your IBM system, to your IBM representative or to the IBM branch office serving your locality.

Today's date: _____

What is your occupation?

Newsletter number of latest Technical Newsletter (if any) concerning this publication:

How did you use this publication?

- | | | | |
|--------------------------|-------------------------------|--------------------------|------------------------|
| <input type="checkbox"/> | As an introduction | <input type="checkbox"/> | As a text (student) |
| <input type="checkbox"/> | As a reference manual | <input type="checkbox"/> | As a text (instructor) |
| <input type="checkbox"/> | For another purpose (explain) | | |

Is there anything you especially like or dislike about the organization, presentation, or writing in this manual? Helpful comments include general usefulness of the book; possible additions, deletions, and clarifications; specific errors and omissions.

Page Number:

Comment:

Name

Address

Company or Organization

Phone No.

Reader's Comments — We'd Like to Hear from You
GX22-0042-09



Cut or Fold
Along Line

Fold and Tape

Please do not staple

Fold and Tape



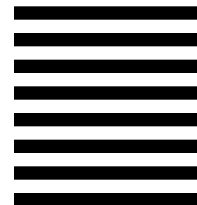
NO POSTAGE
NECESSARY
IF MAILED IN THE
UNITED STATES

BUSINESS REPLY MAIL

FIRST-CLASS MAIL PERMIT NO. 40 ARMONK, NEW YORK

POSTAGE WILL BE PAID BY ADDRESSEE

IBM Corporation
Department 55JA, Mail Station P384
2455 South Road
Poughkeepsie, NY 12601-5400



Fold and Tape

Please do not staple

Fold and Tape

GX22-0042-09

Cut or Fold
Along Line



Program Number: 5647-A01



Printed in the United States of America
on recycled paper containing 10%
recovered post-consumer fiber.

GX22-0042-09

