



OS/390

JES2 Commands Summary



OS/390

JES2 Commands Summary

Note

Before using this information and the product it supports, be sure to read the general information under Appendix A, "Notices" on page 57.

Seventh Edition, September 2000

This is a major revision of GX22-0041-05.

This edition applies to Version 2 Release 10 of OS/390 (5647-A01) and to all subsequent releases and modifications until otherwise indicated in new editions.

Order publications through your IBM representative or the IBM branch office serving your locality. Publications are not stocked at the address below.

IBM welcomes your comments. A form for readers' comments may be provided at the back of this publication, or you may address your comments to the following address:

International Business Machines Corporation
Department 55JA, Mail Station P384
2455 South Road
Poughkeepsie, NY 12601-5400
United States of America

FAX (United States & Canada): 1+845+432-9405
FAX (Other Countries):
Your International Access Code +1+845+432-9405

IBMLink (United States customers only): IBMUSM10(MHVRCFS)
Internet e-mail: mhvrfs@us.ibm.com
World Wide Web: <http://www.ibm.com/s390/os390/webqs.html>

If you would like a reply, be sure to include your name, address, telephone number, or FAX number.

Make sure to include the following in your comment or note:

- Title and order number of this book
- Page number or topic related to your comment

When you send information to IBM, you grant IBM a nonexclusive right to use or distribute the information in any way it believes appropriate without incurring any obligation to you.

© **Copyright International Business Machines Corporation 1998, 2000. All rights reserved.**
US Government Users Restricted Rights – Use, duplication or disclosure restricted by GSA ADP Schedule Contract with IBM Corp.

About This Book

The information in this booklet is summarized from *OS/390 JES2 Commands*.

This booklet shows the syntax of all JES2 commands. Preceding the syntax of the commands is a table that alphabetically lists each JES2 command, the command's function, and the page number where the syntax can be found. This booklet serves as a "quick reference" to JES2 commands.

Who This Book Is For

This book is intended for use by a system console operator who controls JES2 on a system running under MVS. This book assumes that the user understands the hardware controls and features of the installation. It also assumes that the user understands the general organization and functions of a system.

Determining If a Publication Is Current

As needed, IBM updates its publications with new and changed information. For a given publication, updates to the hardcopy and associated BookManager softcopy are usually available at the same time. Sometimes, however, the updates to hardcopy and softcopy are available at different times. Here's how to determine if you are looking at the most current copy of a publication:

1. At the end of a publication's order number there is a dash followed by two digits, often referred to as the dash level. A publication with a higher dash level is more current than one with a lower dash level. For example, in the publication order number GC28-1747-07, the dash level 07 means that the publication is more current than previous levels, such as 05 or 04.
2. If a hardcopy publication and a softcopy publication have the same dash level, it is possible that the softcopy publication is more current than the hardcopy publication. Check the dates shown in the Summary of Changes. The softcopy publication might have a more recently dated Summary of Changes than the hardcopy publication.
3. To compare softcopy publications, you can check the last two characters of the publication's filename (also called the book name). The higher the number, the more recent the publication. Also, next to the publication titles in the CD-ROM booklet and the readme files, there is an asterisk that indicates whether a publication is new or changed.

Summary of Changes

Summary of Changes for GX22-0041-06 OS/390 Version 2 Release 10

This book is a major revision of *OS/390 JES2 Commands Summary*, GX22-0041-05. This book supports OS/390 Version 2 Release 10. The syntax of each JES2 command is documented without parameter descriptions. See *OS/390 JES2 Commands* for explanations of each JES2 command parameter.

New Commands

\$D Line

For displaying a line.

\$T SPOOL

Allows volumes to be associated with a system (SYSAFF=).

\$ZAPJOB

Allows purging of jobs that affect JES2 restarts.

Changed Commands

\$ Job Commands

\$L Selection Only Limiting Keywords diagram has been added.

\$D FSS

FSSMADDR, FSSMLENG, FSSMPTF, and LONG have been added to the syntax diagram.

\$D, \$T JOBCLASS

SCHENV has been added to the syntax diagram.

\$D MODULE

FMID, LASTPFT, LONG, ROUTINES, VERSION, and UNVERSION have been added to the syntax diagram.

\$D, \$T PRTnnnn

ASID, FSSINFO, FSSMADDR, FSSMAPAR, FSSMPTF, FSSMLING, HASPFSSM, LONG, NAME, and PROC have been added to the syntax diagram.

\$D PRT, PUN

STATUS has been added to the syntax diagram.

\$D SPOOL

SYSAFF= has been added to the syntax diagram.

\$D, \$T SPOOLDEF

ACTIVE and VOLUMES have been added to the FENCE= operand.

| **\$\$ SPOOL**

| SYSAFF= has been added to the syntax diagram.

| **\$TO Job Output Command**

| NDISP keyword has been removed from the syntax diagram.

| You must be in "Release 4 mode" to run OS/390 Version 2 Release 10 JES2 since
| support for "Pre-release 4 mode" has been dropped. Support for the \$ACTIVATE
| command is no longer needed since only one checkpoint mode is currently supported.

| This book includes terminology, maintenance, and editorial changes. Technical
| changes or additions to the text and illustrations are indicated by a vertical line to the
| left of the change.

| **Summary of Changes
for GX22-0041-05
OS/390 Version 2 Release 9**

| This book is a major revision of *OS/390 JES2 Commands Summary*, GX22-0041-04.
| This book supports OS/390 Version 2 Release 9. The syntax of each JES2 command is
| documented without parameter descriptions. See *OS/390 JES2 Commands* for
| explanations of each JES2 command parameter.

| ***New Commands***

| **Mnn**

| A new command has been added to send commands to other MAS members.

| **Nnnnn**

| A new command has been added to send commands through the network

| ***Changed Commands***

| **\$T, \$D JOBCLASS**

| SCHENV has been added to the syntax diagrams. \$D JOBCLASS has been added
| to the commands list in the front of Chapter 1.

| **\$CO, \$PO**

| HOLD, HOLDRC, PAGES, and RECORDS have been added to the syntax
| diagrams.

| **\$D M**

| The syntax diagram has been modified.

| **\$O** PAGES and RECORDS have been added to the syntax diagrams.

| **\$T PRTnnnn**

| FSATRACE has been added to the syntax diagram.

| **\$T Job**

| SCHENV has been added to the Selection Limiting Keywords syntax diagram.

| This book includes terminology, maintenance, and editorial changes. Technical

changes or additions to the text and illustrations are indicated by a vertical line to the left of the change.

**Summary of Changes
for GX22-0041-04
OS/390 Version 2 Release 7**

This book is a major revision of *OS/390 JES2 Commands Summary*, GX22-0041-03. This book contains no "new" JES2 command information and still supports OS/390 Version 1 Releases 1-3 and Version 2 Releases 4-6. The syntax of each JES2 command is documented without parameter descriptions. See *OS/390 JES2 Commands* for explanations of each JES2 command parameter.

This book includes terminology, maintenance, and editorial changes. Technical changes or additions to the text and illustrations are indicated by a vertical line to the left of the change.

**Summary of Changes
for GX22-0041-03
OS/390 Version 2 Release 6**

This book is a major revision of *OS/390 JES2 Commands Summary*, GX22-0041-02. This book contains no "new" JES2 command information and still supports OS/390 Version 1 Releases 1-3 and Version 2 Release 4. All JES2 commands are documented in the railroad track syntax form and are consolidated in an effort to reduce the size of the publication and to provide quicker lookup of commands. An easy-to-use table of contents points to each command syntax. The syntax of each JES2 command is documented without parameter descriptions. See *OS/390 JES2 Commands* for explanations of each JES2 command parameter.

Chapter 1. JES2 Commands Summary

Command	Function	Page
\$A A	Release all jobs	34
\$A job	Release specified jobs	50
\$ADD CONNECT	Add static network connections	15
\$ADD APPL	Define a new JES2 application	32
\$ADD DESTid	Define a symbolic destination name	16
\$ADD FSS	Define a new functional subsystem to JES2	21
\$ADD LINE(nnn)	Define a RJE line	17
\$ADD LOGON(n)	Define the JES2/VTAM interface	22
\$ADD PRTnnnn	Define a local printer	22
\$ADD RMT(nnnn)	Define an RJE workstation	31
\$B PRTnnnn Rnnnn.PRm	Backspace printer output	34
\$B PUNnn Rnnnn.PUm	Backspace punch output	35
\$C A	Cancel automatic commands	6
\$C job	Cancel a job	50
\$C L(nnnn).dd(n)	Cancel NJE device activity	35
\$C O job	Cancel output groups	46
\$C OFFn.dd	Cancel a spool offload device	35
\$C PRTnnnn Rnnnn.PRm	Cancel printer output	35
\$C PUNnn Rnnnn.PUm	Cancel punch output	35
\$C RDRnn Rnnnn.RDm	Cancel reader activity	35
\$D A	Display information about active jobs	6
\$D ACTRMT	Display active RJE workstations in a MAS	17
\$D APPL	Define a new JES2 application	32
\$D BUFDEF	Display local buffers	12
\$D CKPTDEF	Display the checkpoint definition	14
\$D CKPTSPACE	Display amount of checkpoint space	7
\$D COMPACT	Display compaction tables	7
\$D CONDEF	Display console communication characteristics	8
\$D CONNECT	Display network connectons that are defined to JES2	15
\$D DESTDEF	Display symbolic destination displays	8
\$D F	Display the job output forms queue	10
\$D FSS	Display functional sybssystem characteristics	21
\$D I	Display initiator information	41
\$D job	Display information about specified jobs	50
\$D JOBCLASS(n)	Display information about the job class characteristics	18
\$D JOBPRTY(n)	Specify the JES2 job scheduling priority	37
\$D LOADMOD	Display load module information	45
\$D Line	Display a line.	54
\$D M	Display message or send message to job's job log	41
\$D MASDEF	Display characteristics of the MAS	15

Command	Function	Page
\$D MEMBER	Display the status of MAS members	39
\$D MODULE	Display module information	34
\$D N	Display job queue information	45
\$D NETACCT	Display networking account numbers	35
\$D NJEDEF	Display the JES2 network environment	11
\$D NODE	Display node characteristics	35
\$D O job	Display information about specified output groups	46
\$D OFF(n).JR	Display offload job receiver characteristics	44
\$D OFF(n).JT	Display offload job transmitter characteristics	44
\$D OFF(n).SR	Display offload SYSOUT receiver characteristics	44
\$D OFF(n).ST	Display offload SYSOUT transmitter characteristics	44
\$D OPTSDEF	Display start option definitions	8
\$D OUTCLASS(n)	Display SYSOUT class characteristics output classes	10
\$D OUTDEF	Display JES2 job output characteristics	8
\$D OUTPRTY(n)	Display JES2 output scheduling priority	46
\$D PATH	Display paths from node to node	31
\$D PCE	Display tracing status for JES2 processors	33
\$D PCEDEF	Display JES2 PCE definitions	8
\$D PRINTDEF	Display JES2 printer characteristics	8
\$D PRT Rnnnn.PRTm	Display printers	22
\$D PUNnn Rnnnn.PUm	Display punches	29
\$D PUNCHDEF	Display JES2 punch characteristics	8
\$D Q	Display the number of jobs queued	7
\$D R(n).CON	Display specified remote console	16
\$D RDI	Display status of internal reader	25
\$D RDRnn Rnnnn.RDm	Display a reader	25
\$D REBLD	Display jobs on the rebuild queue	8
\$D RECVOpts	Display JES2 recovery options	8
\$D REDIRECT	Display Redirect responses	31
\$D SMFDEF	Display SMF buffers	8
\$D SPOOL	Display spool volume usage	12
\$D SPOOLDEF	Display the JES2 spooling environment	38
\$D SSI	Display subsystem interface function information	21
\$D SUBNET	Display subnets and node names	8
\$D SUBTDEF	Display JES2 subtask definitions	8
\$D TPDEF	Display JES2 teleprocessing characteristics	12
\$D TRACEDEF	Display the JES2 trace environment characteristics	8
\$D U	Display the status of all JES2 devices	17
\$D U,LINE \$D NODE	Display node attributes	35
\$DEL CONNECT	Delete static connections	15
\$DEL DESTid	Delete a symbolic destination name	16
\$E CKPTLOCK	Reset the checkpoint lock	14
\$E job	Restart a currently executing job	50
\$E L(nnn).dd(n)	Restart NJE device activity	35
\$E LINE(nnn)	Restart RJE line activity	17
\$E LOGON(n)	Restart the JES2/VTAM interface	22
\$E MEMBER	Restart jobs from a failed member	39

Command	Function	Page
\$E OFFn.JT OFFn.ST	Restart an offload transmitter	35
\$E PRTnnnn Rnnnn.PRm	Restart printer activity	34
\$E PUNnn Rnnnn.PUm	Restart punch activity	35
\$F PRTnnnn Rnnnn.PRm	Advance printer output	34
\$F PUNnn Rnnnn.PUm	Advance punch output	35
\$G A	Release a job at another node	40
\$G C	Cancel a job at another node	40
\$G D	Display information for a job at another node	40
\$G H	Hold a job at another node	40
\$G R	Request another node to route a job for execution	40
\$G R	Request another node to route job output	40
\$H A	Hold all jobs	34
\$H job	Hold specified jobs	50
\$I PRTnnnn Rnnnn.Pm	Interrupt printer activity	34
\$I PUNnn Rnnnn.PUm	Interrupt punch activity	35
\$L job	Display count of output group information	46
\$Mnn	Send Commands to Other MAS Members	54
\$Nnnnn	Send Commands through the Network	54
\$N PRTnnnn Rnnnn.PRm	Repeat printer output	34
\$N PUNnn Rnnnn.PUm	Repeat punch output	35
\$O	Release or cancel held output data sets	50
\$P	Stop JES2 processing	41
\$P I	Stop an initiator	41
\$P JES2	Withdraw JES2 from the system	41
\$P job	Purge a job	50
\$P L(nnnn).dd(n)	Stop an NJE device	35
\$P LINE(nnn)	Stop an RJE line	17
\$P LOGON(n)	Stop the JES2/VTAM interface	22
\$P O job	Cancel output groups	46
\$P OFFn.dd	Drain an offload transmitter/receiver	35
\$P OFFLOADn	Drain an offload device	43
\$P PRTnnnn Rnnnn.PRm	Stop a printer	35
\$P PUNnn Rnnnn.PUm	Stop a punch	35
\$P RDRnn Rnnnn.RDm	Stop a reader	35
\$P RMT(nnnn)	Disconnect an RJE workstation	42
\$P SPOOL	Drain a spool volume	41
\$P TRACE(n)	Deactivate trace identifiers	42
\$P XEQ	Stop initiation of batch jobs into execution	41
\$R,D=	Route job output	11
\$R XEQ	Route specified jobs for execution	11
\$S	Start JES2 processing	41
\$S A	Start automatic command processing	41
\$S I	Start an initiator	41
\$S job	Initiate a batch job into execution	41
\$S L(nnnn).dd(n)	Start an NJE device	35
\$S LINE(nnn)	Start an RJE line	17
\$S LOGON(n)	Start the JES2/VTAM interface	22

Command	Function	Page
\$\$ N	Start an SNA applicaton-to-application session with another node	41
\$\$ N,LINExx	Establish an NJE connection with an adjacent node	41
\$\$ OFFn.dd	Start an offload transmitter/receiver	35
\$\$ OFFLOAD	Start an offload device	43
\$\$ PRTnnnn Rnnnn.PRm	Start a printer	35
\$\$ PUNnn Rnnnn.PUm	Start a punch	35
\$\$ RDRnn Rnnnn.RDm	Start a reader	35
\$\$ RMT(nnnn)	Automatically connect an SNA RJE workstation	42
\$\$ Spool	Start a spool volume	41
\$\$ TRACE(n)	Activate a trace identifier	42
\$\$ XEQ	Start initiation of batch jobs into execution	41
\$T A	Display, specify, and modify automatic commands	6
\$T APPL	Change an application's characteristics	32
\$T BUFDEF	Modify local buffers	12
\$T CKPTDEF	Control the checkpoint definition	14
\$T CKPTSPACE	Control amount of checkpoint space	7
\$T CONDEF	Control console communication characteristics	9
\$T CONNECT	Change static network connections that were previously defined	15
\$T DEBUG	Control the JES2 debug option	13
\$T DESTDEF	Control symbolic destination displays	9
\$T DESTid	Change the route code associated with a symbolic destination name	16
\$T ESTBYTE	Specify estimated amount of spool space needed for job output	37
\$T ESTLNCT	Specify the estimated printline count for job output	37
\$T ESTPAGE	Specify the estimated page count for job output	37
\$T ESTPUN	Specify the estiate number of punched cards for job output	37
\$T ESTIME	Specify the estimated execution time for jobs	37
\$T EXIT(nnn)	Specify JES2 Exits	38
\$T FSS	Change a functional subsystem's characteristics	21
\$T I	Assign initiator classes	41
\$T INTRDR	Control internal readers	28
\$T job	Change a job's class, scheduling priority, or member affinity	50
\$T JOBCLASS(n)	Set job class characteristics	18
\$T JOBCLASS(n)	Specify an XBM procedure to be used for jobs in a selected class	18
\$T JOBCLASS(n)	Release job queues	18
\$T JOBCLASS(n)	Hold Job Queues	18
\$T JOBDEF	Specify the JES2 job characteristics	20
\$T L(nnnn).dd(n)	Control work selection on an NJE device	43
\$T LINE(nnn)	Disconnect RJE line, assign password, or diagnose RJE problems	17
\$T LOGON(n)	Assign password to the JES2/VTAM, diagnose SNA problems	22
\$T MASDEF	Control the MAS environment	15
\$T MEMBER	Change a member's operational mode	39
\$T NJEDEF	Specify the JES2 network environment	11
\$T NODE	Change node characteristics	35
\$T NUM	Set the JES2 internal job numbers	9
\$T O job	Set output characteristics	46
\$T OFF(n).JR	Specify offload job receiver characteristics	44
\$T OFF(n).JT	Specify offload job transmitter characteristics	44

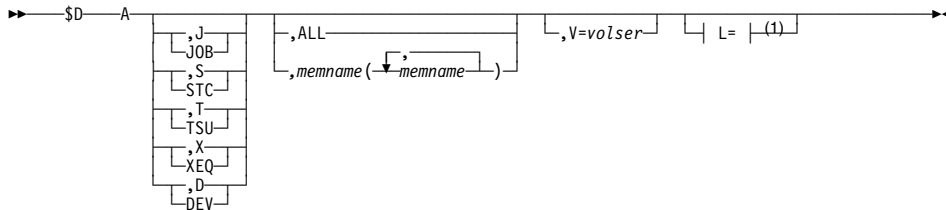
Command	Function	Page
\$T OFF(n).SR	Specify offload SYSOUT receiver characteristics	44
\$T OFF(n).ST	Specify offload SYSOUT transmitter characteristics	44
\$T OUTCLASS(n)	Set SYSOUT class characteristics output classes	10
\$T OUTDEF	Specify JES2 job output characteristics	9
\$T OUTPRTY(n)	Specify JES2 output scheduling priority	46
\$T PCE	Trace all JES2 processors of a given type (start/stop tracing)	33
\$T PRINTDEF	Specify JES2 printer characteristics	9
\$T PRTnnnn Rnnnn.PRm	Specify printer characteristics and options	22
\$T PUNnn Rnnnn.PUm	Specify punch characteristics and options	29
\$T RDRnn Rnnnn.RDm	Assign reader characteristics, hold all jobs, and control tracing	27
\$T RECVopts	Control JES2 recovery options	9
\$T REDIRECT	Redirect responses to commands entered at the entry console	31
\$T RMT(nnnn)	Set an RJE workstation's characteristics	31
\$T SMFDEF	Modify SMF buffers	9
\$T SPOOL	Modify a Spool Volume	56
\$T SPOOLDEF	Control the JES2 spooling environment	38
\$T SSI(n)	Control subsystem interface function tracing	21
\$T TPDEF	Specify JES2 teleprocessing characteristics	12
\$T TRACEDEF	Specify the JES2 trace environment characteristics	9
\$VS	Enter MVS system commands through JES2	53
\$Z A	Halt automatic command processing	41
\$Z I	Halt an initiator	41
\$Z OFFLOADn	Halt an offload device	43
\$Z PRTnnnn Rnnnn.PRm	Halt printer activity	35
\$Z PUNnn Rnnnn.PUm	Halt punch activity	35
\$Z RDRnn	Halt a reader	35
\$Z SPOOL	Halt a spool volume	41
\$ZAPJOB	Remove Job Structure from Job Queue	56

JES2 Commands Common Syntax Elements

Many JES2 commands use the following elements in their syntax. Refer to these elements as required when interpreting a command's syntax.

<p>L=:</p> <pre> L= ├── a │ ├── cc │ ├── cca │ ├── name │ └── name-a └── </pre>	<p>Numeric:</p> <pre> n ├── n │ └── * ├── (│ ├── n │ │ └── * │ ├── , │ ├── n │ │ └── * │ └──) └── </pre>
<p>Destination:</p> <pre> ├── LOCAL ├── ANYLOCAL ├── Nnnnn │ └── nodename ├── destid ├── NnnnnRmmmm ├── Ummmm ├── node. │ ├── remote │ └── destid ├── * ├── remote └── userid </pre>	<p>Identifier:</p> <pre> id ├── id │ └── * ├── 'id' ├── (│ ├── id │ │ └── * │ ├── , │ ├── id │ │ └── * │ └──) ├── id └── 'id' </pre>
<p>Value:</p> <pre> 'value' ├── (│ ├── value │ └──) └── 'value' </pre>	

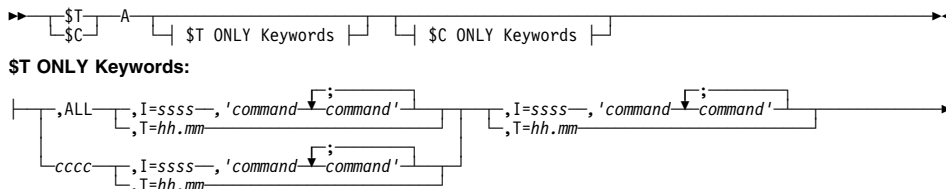
\$D A - Display Information About Active Jobs

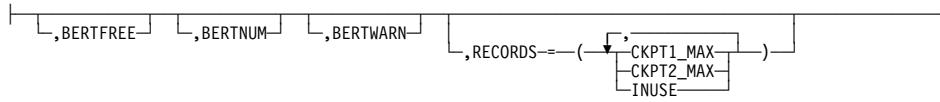


Note:

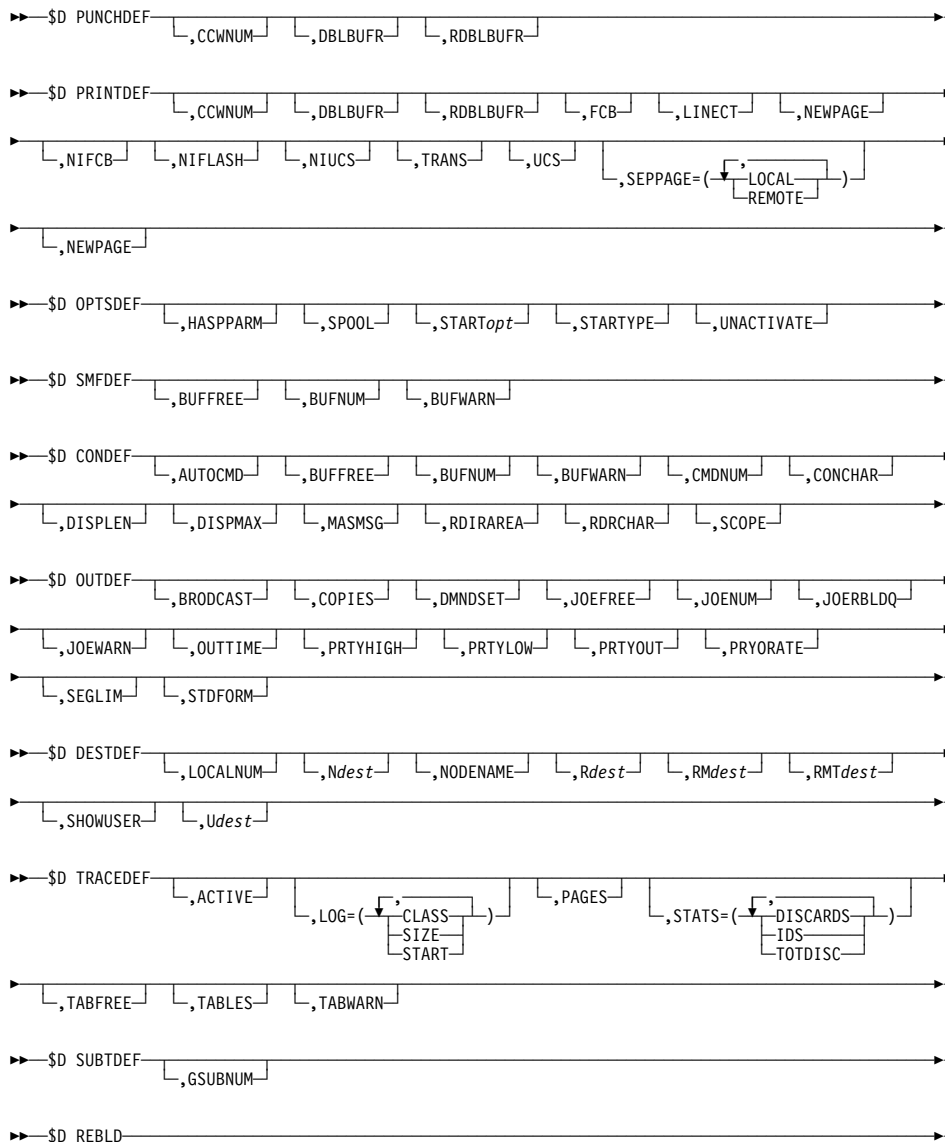
1 See "JES2 Commands Common Syntax Elements."

\$T, \$C A - Display, Specify, Modify, Cancel Automatic Commands





\$D PUNCHDEF, \$D PRINTDEF, \$D OPTSDEF, \$D SMFDEF, \$D CONDEF, \$D DESTDEF, \$D TRACEDEF, \$D SUBTDEF, \$D SUBNET, \$D REBLD, \$D RECVOpts, \$D PCEDEF



```

>> $D PCDEF [ ,CNVTNUM ] [ ,OUTNUM ] [ ,PSO NUM ] [ ,PURGENUM ] [ ,SPINNUM ] [ ,STACKNUM ]

```

```

>> $D SUBNET
$D REC Vopts [ Value (1) ] [ ,COUNT(2) ] [ ,INTERVAL(2) ]

```

Notes:

- 1 See "JES2 Commands Common Syntax Elements" on page 6.
- 2 \$D REC Vopts only.

\$T CONDEF, \$T OUTDEF, \$T TRACEDEF, \$T DESTDEF, \$T SMFDEF, \$T PRINTDEF, \$T NUM, \$T REC Vopts

```

>> $T [ CONDEF ] [ OUTDEF ] [ TRACEDEF ] [ DESTDEF ] [ SMFDEF ] [ PRINTDEF ] [ NUM, BASE=nnnn ] [ REC Vopts ]
      [ CONDEF Keywords ] [ OUTDEF Keywords ] [ TRACEDEF Keywords ] [ DESTDEF Keywords ] [ SMFDEF Keywords ] [ PRINTDEF Keywords ] [ REC Vopts Keywords ]

```

CONDEF Keywords:

```

[ ,BUFNUM=nnnn ] [ ,BUFWARN=nnnn ] [ ,CMDNUM=nnnn ] [ ,CONCHAR=c ] [ ,DISPLEN=nnn ]
[ ,DISPMAX=nnnnnnnnnn ] [ ,MASMSG=nnn ] [ ,RDIRAREA=c ] [ ,RDRCHAR=c ]

```

OUTDEF Keywords:

```

[ ,BROADCAST= [ No ] [ Yes ] ] [ ,COPIES=nnn ] [ ,JOENUM=nnnnnn ] [ ,JOEWARN=nnn ]
[ ,OUTTIME= [ CREATE ] [ UPDATE ] ] [ ,PRTYHIGH=nnn ] [ ,PRTYLOW=nnn ] [ ,PRTYOUT= [ No ] [ Yes ] ]
[ ,PRYORATE=nnnn ] [ ,SEGLIM=nnnnn ]

```

TRACEDEF Keywords:

```

[ ,ACTIVE= [ No ] [ Yes ] ] [ ,LOG= ( [ ,CLASS=c ] [ ,SIZE=nnnnnnnnnn ] [ ,START= [ No ] [ Yes ] ] ) ] [ ,SPIN ] [ ,TABLES=nnnn ]
[ ,TABWARN=nnn ]

```

DESTDEF Keywords:

```

[ ,SHOWUSER= [ No ] [ NOLOCAL ] [ WITH ] [ WITHLOCAL ] ]

```

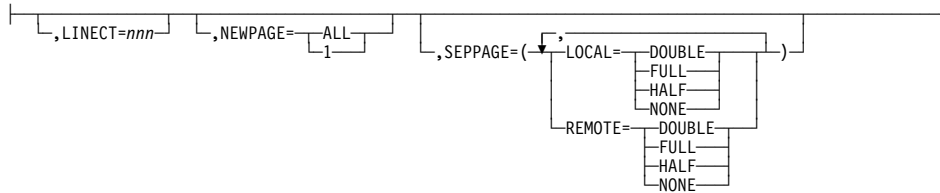
SMFDEF Keywords:

```

[ ,BUFWARN=bufwarn ]

```

PRINTDEF Keywords:



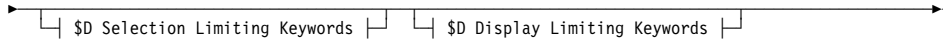
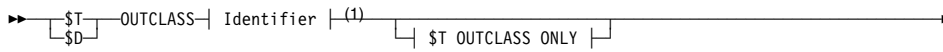
RECVOPTS Keywords:



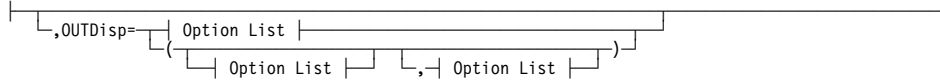
Note:

¹ See "JES2 Commands Common Syntax Elements" on page 6.

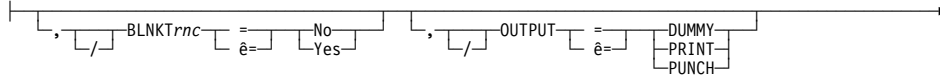
\$T, \$D OUTCLASS(n) - Set SYSOUT Class Characteristics



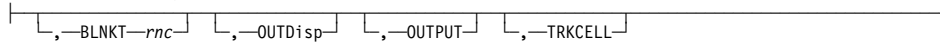
\$T OUTCLASS ONLY:



\$D Selection Limiting Keywords:



\$D Display Limiting Keywords:



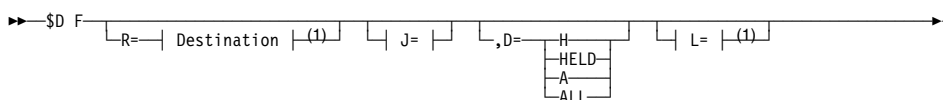
Option List:



Note:

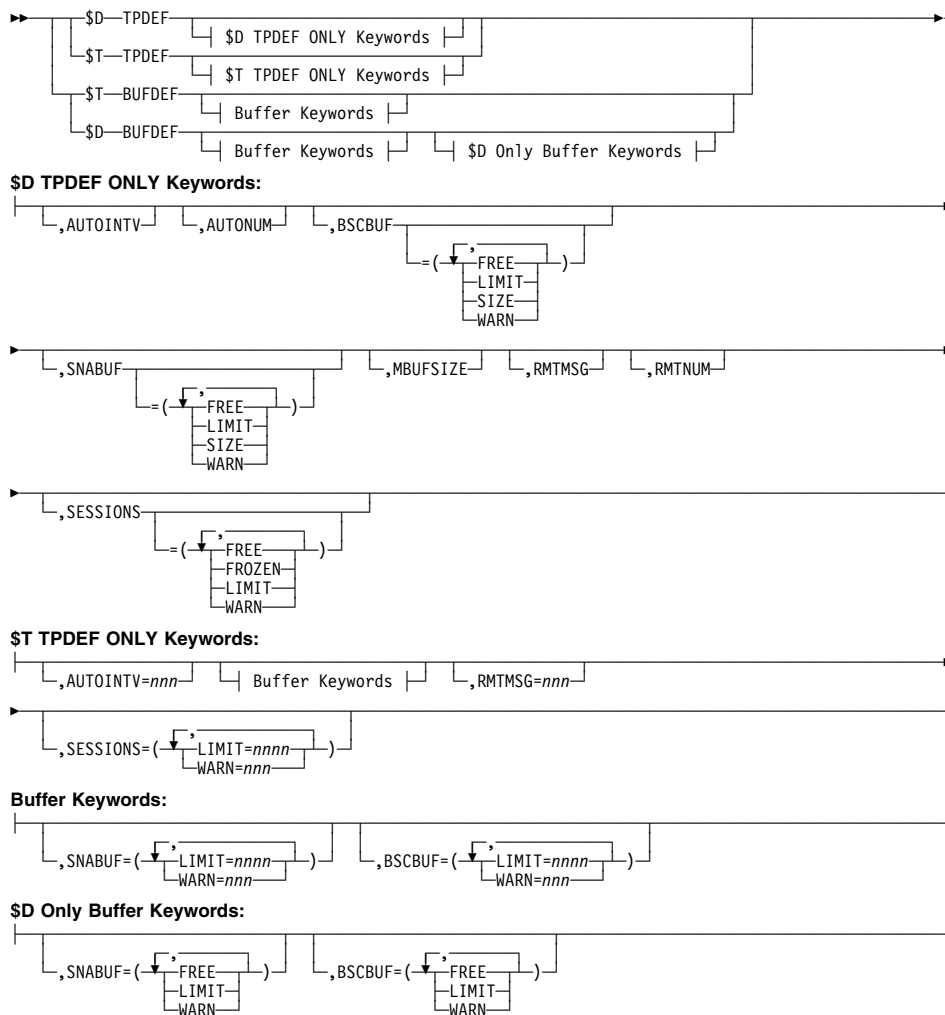
¹ See "JES2 Commands Common Syntax Elements" on page 6.

\$D F Display Output Forms

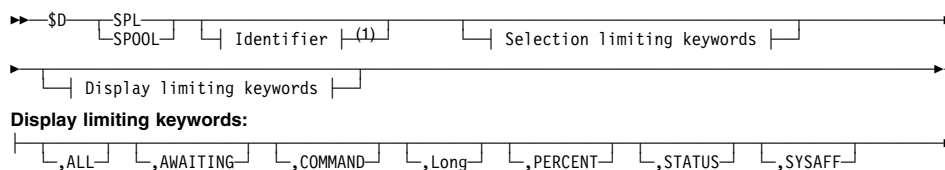


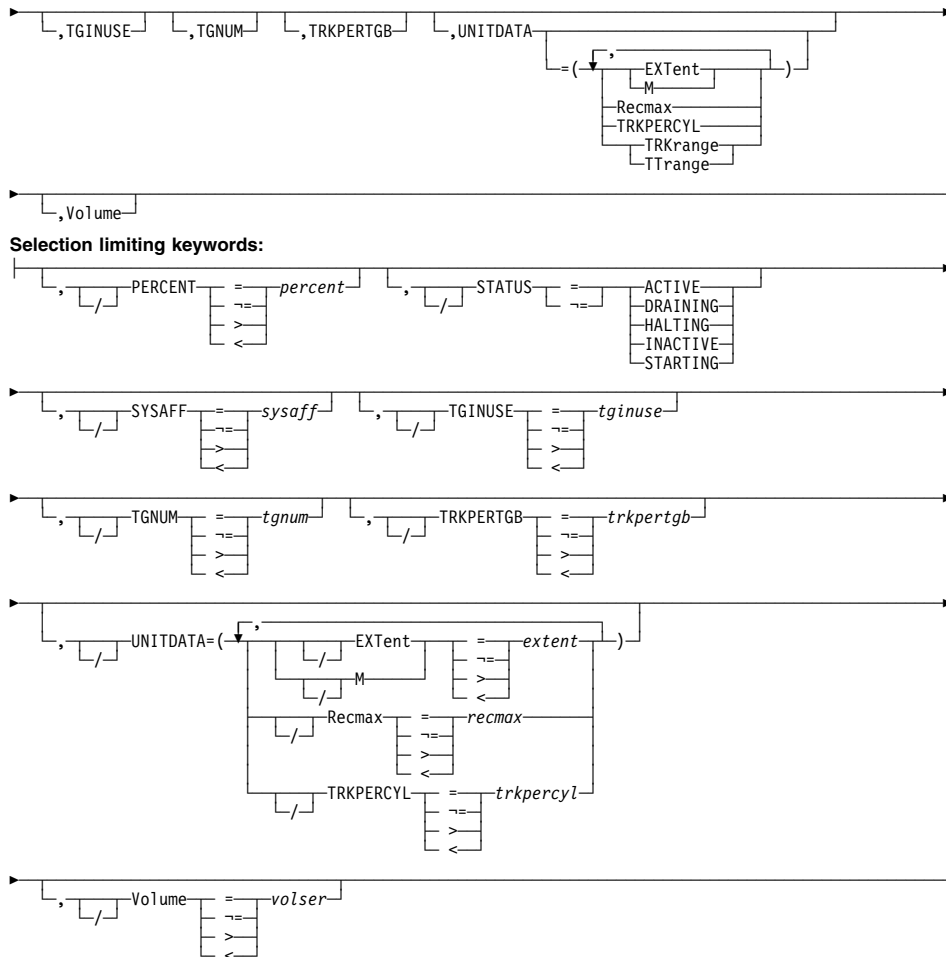
J=:

\$D, \$T TPDEF , \$D, \$T BUFDEF - Display/Control Current Teleprocessing Characteristics, \$D PCEDEF



\$D SPOOL - Display the Status of Spool Volumes

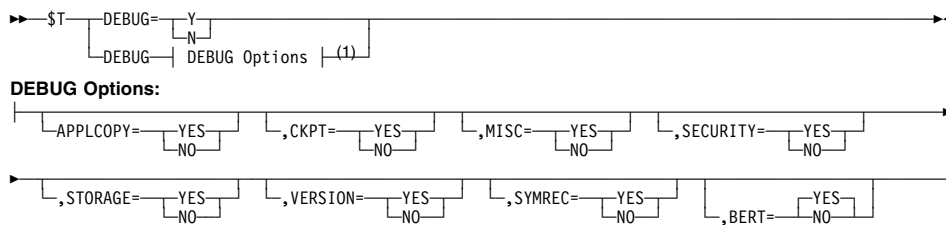




Note:

1 See "JES2 Commands Common Syntax Elements" on page 6.

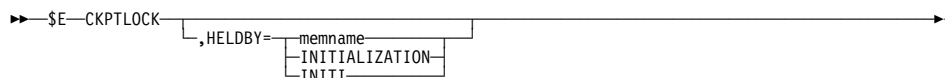
\$T DEBUG - Set the JES2 DEBUG Option



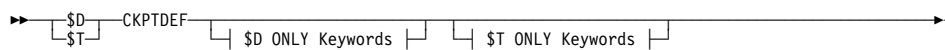
Note:

1 You can specify more than one parameter; you must specify at least one parameter.

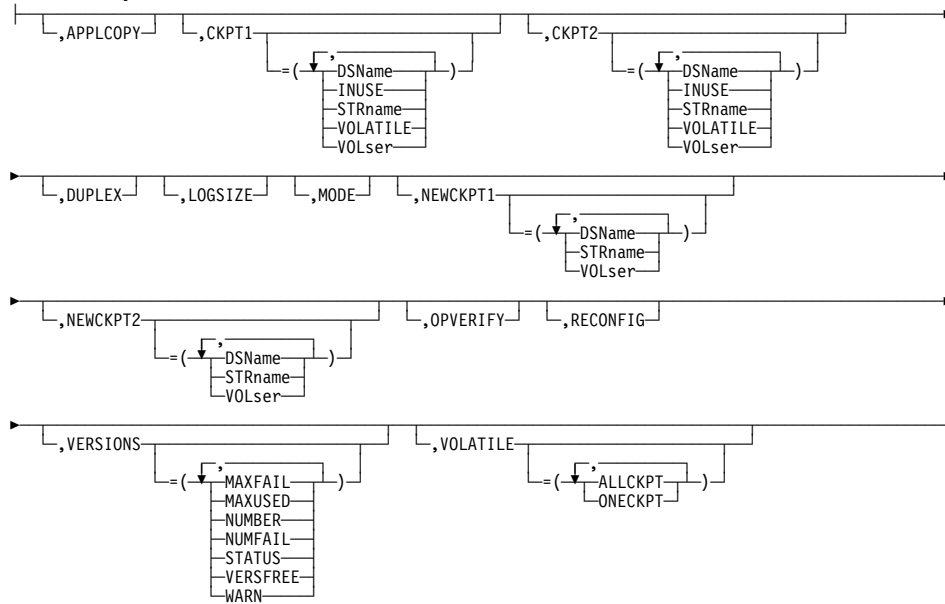
\$E CKPTLOCK, HELDBY - Reset the Checkpoint Lock



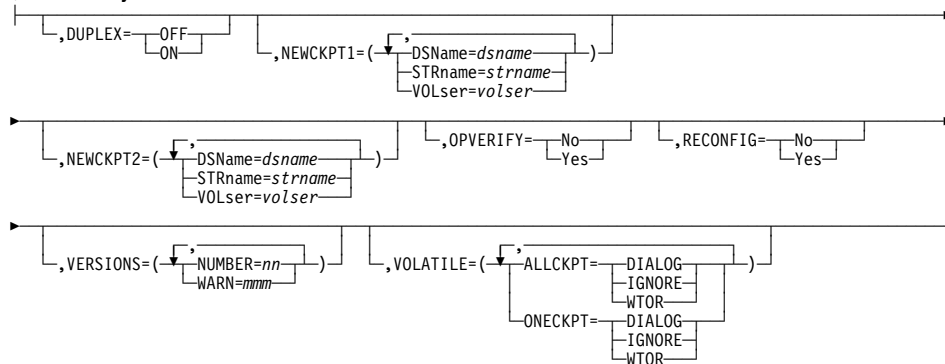
\$D, \$T CKPTDEF - Display/Control the Checkpoint Definition



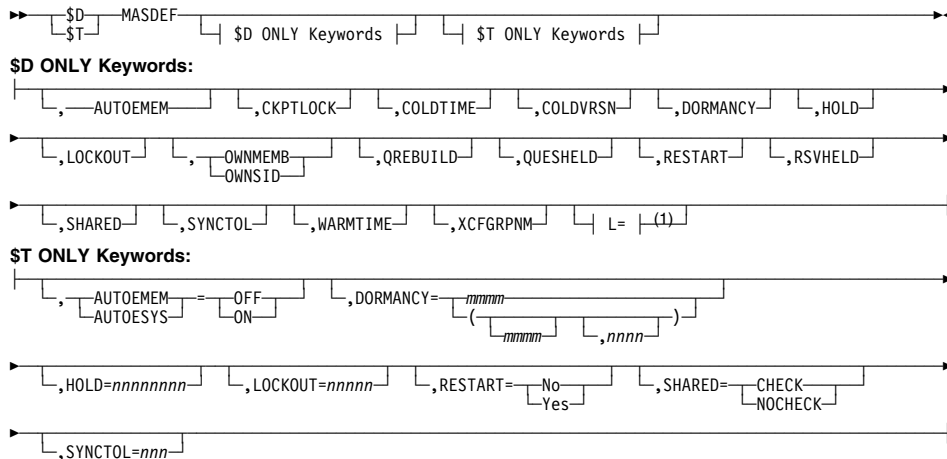
\$D ONLY Keywords:



\$T ONLY Keywords:



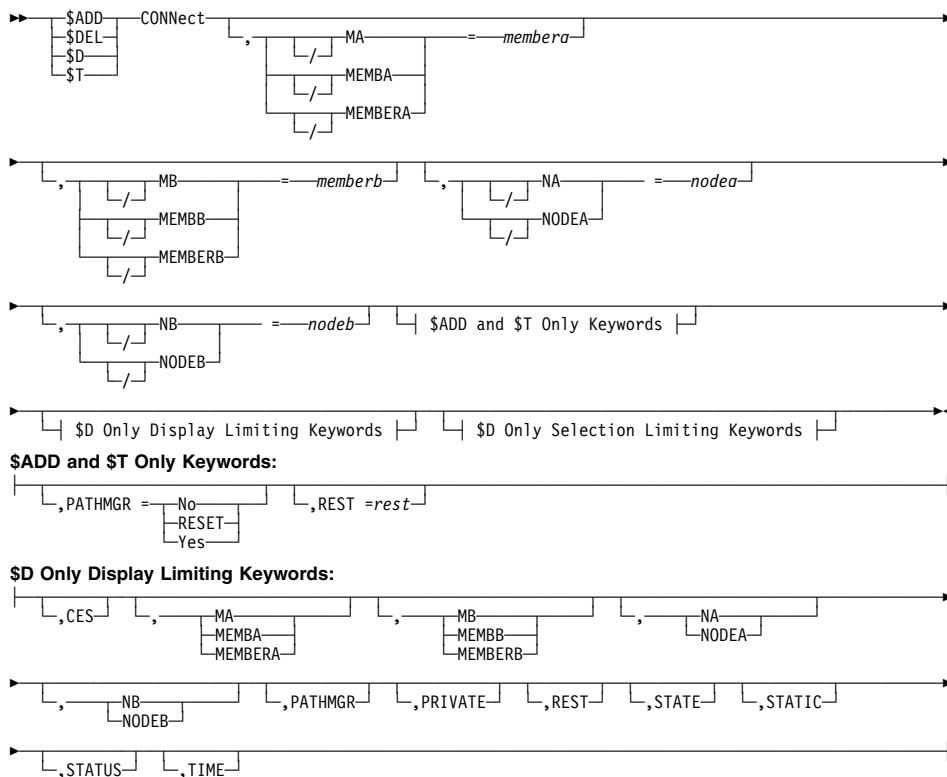
\$D, \$T MASDEF - Display and Control the Multi-access Spool Environment



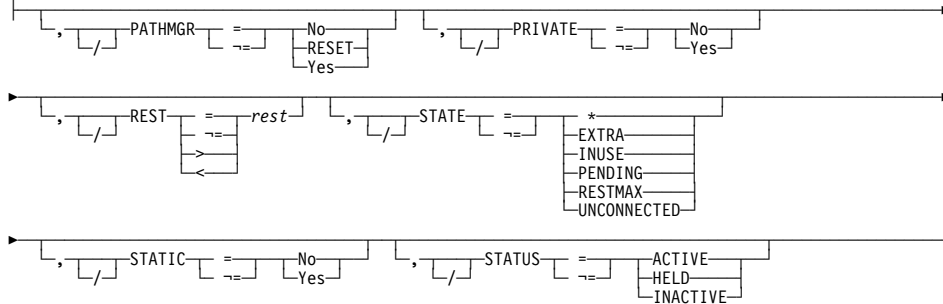
Note:

1 See "JES2 Commands Common Syntax Elements" on page 6.

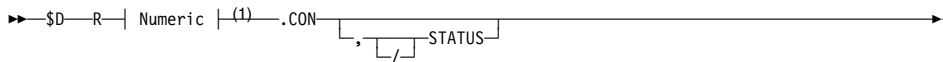
\$ADD, \$DEL, \$D, \$T CONNECT



\$D Only Selection Limiting Keywords:



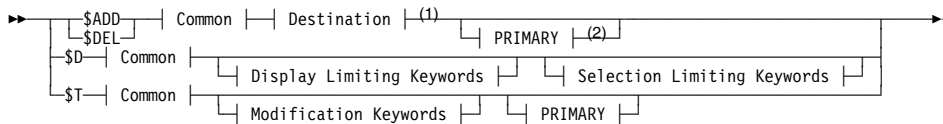
\$D R(n).CON



Note:

1 See "JES2 Commands Common Syntax Elements" on page 6.

\$ADD, \$D, \$DEL, \$T DESTID



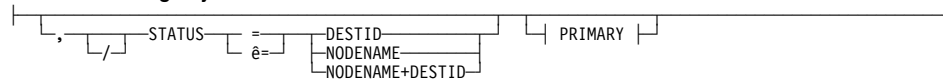
Common:



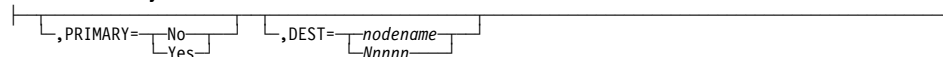
Display Limiting Keywords:



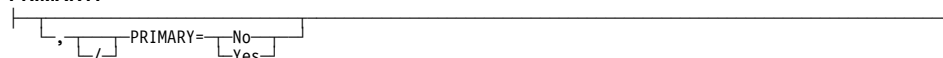
Selection Limiting Keywords:



Modification Keywords:



PRIMARY:

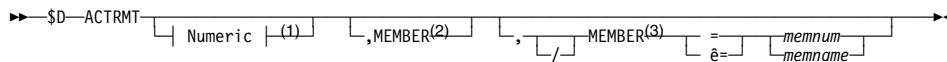


Notes:

1 See "JES2 Commands Common Syntax Elements" on page 6.

2 \$ADD only.

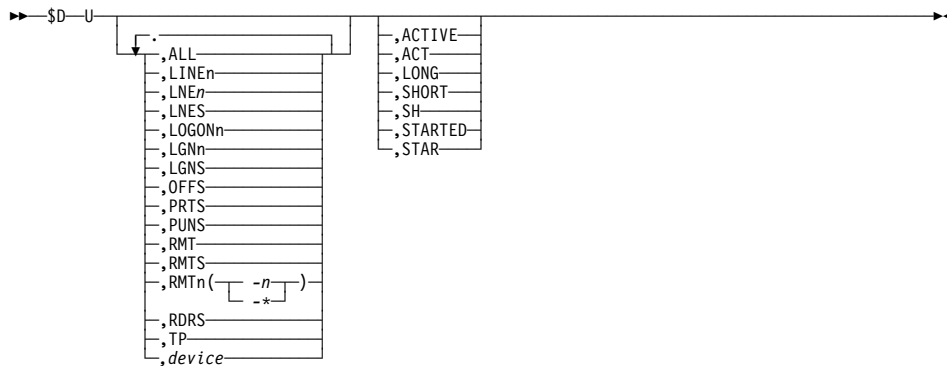
\$D ACTRMT



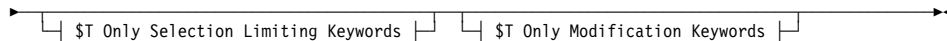
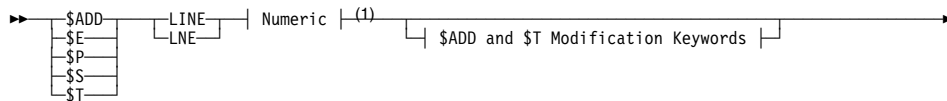
Notes:

- 1 See "JES2 Commands Common Syntax Elements" on page 6.
- 2 Display Limiting Keyword
- 3 Selection Limiting Keyword

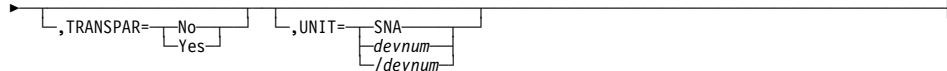
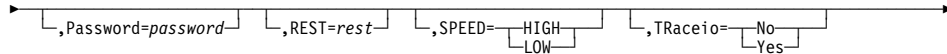
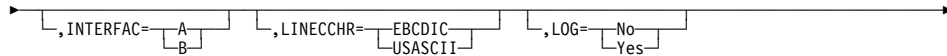
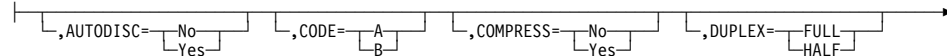
\$D U - Display the Status of JES2-Controlled Devices



\$ADD, \$E, \$P, \$\$, \$T LINE

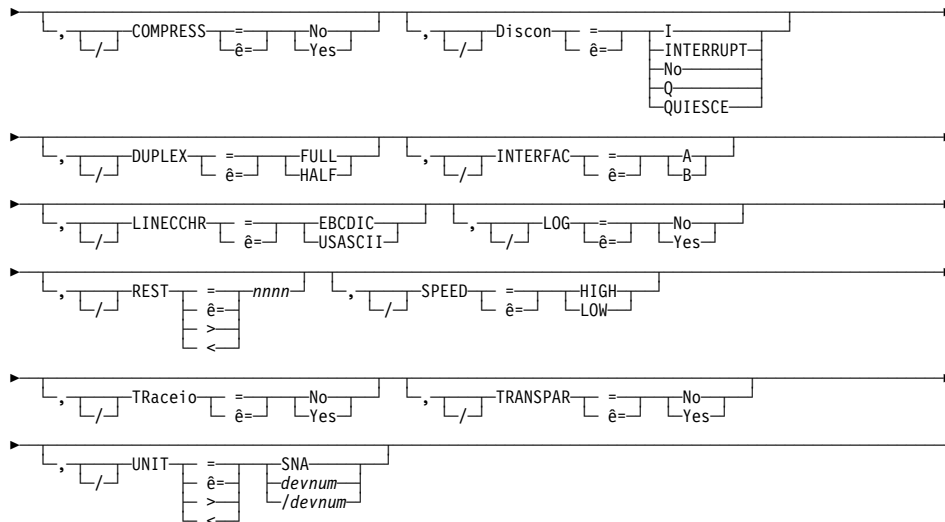


\$ADD and \$T Modification Keywords:

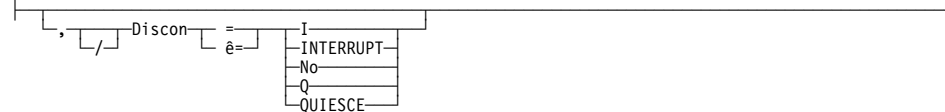


\$T Only Selection Limiting Keywords:





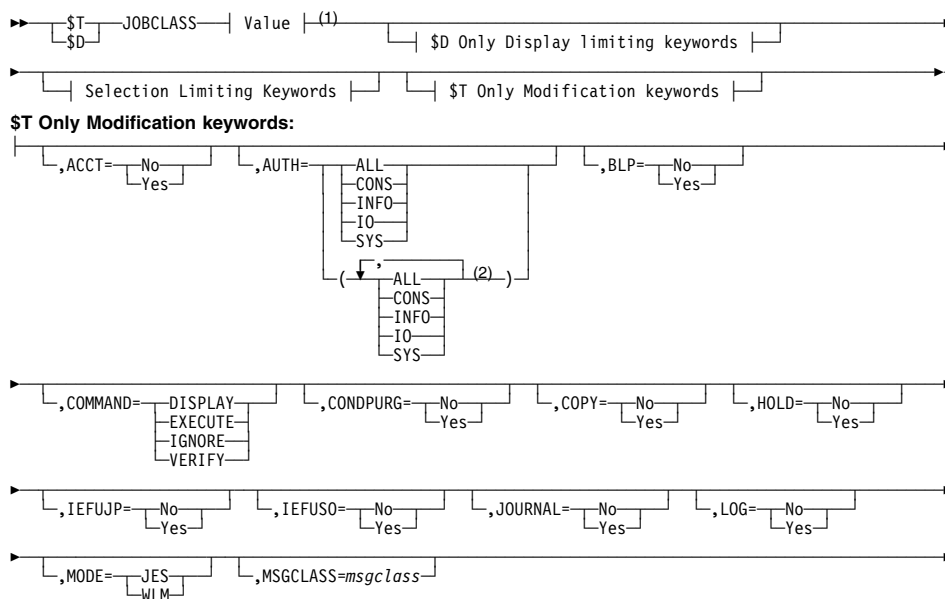
\$T Only Modification Keywords:

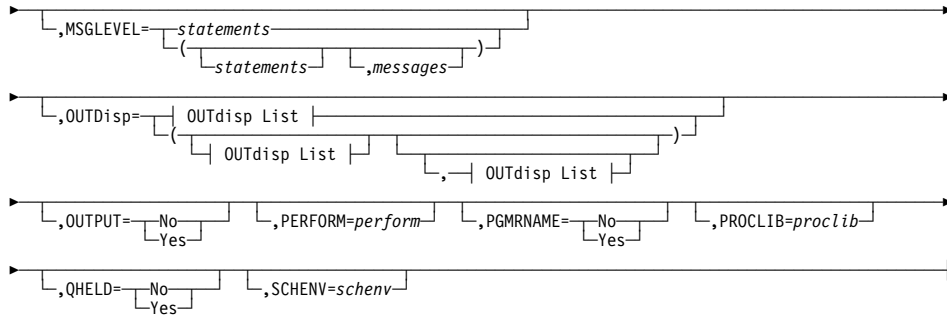


Note:

1 See "JES2 Commands Common Syntax Elements" on page 6.

\$T, \$D JOBCLASS(n)

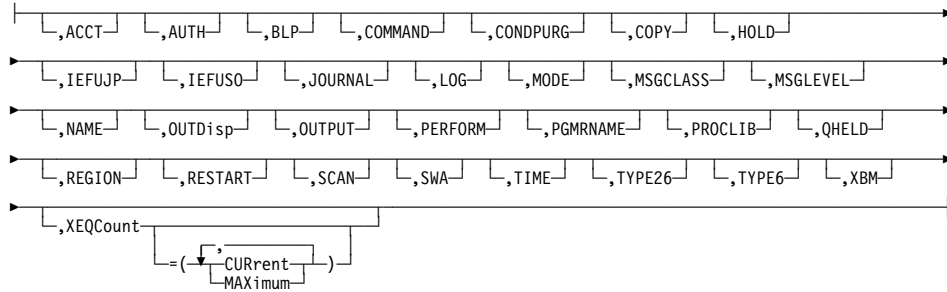




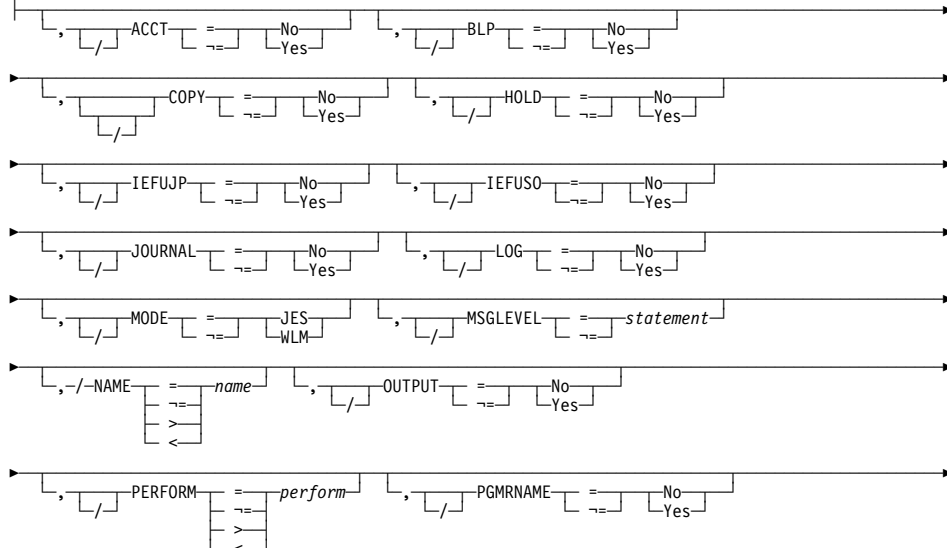
OUTdisp List:



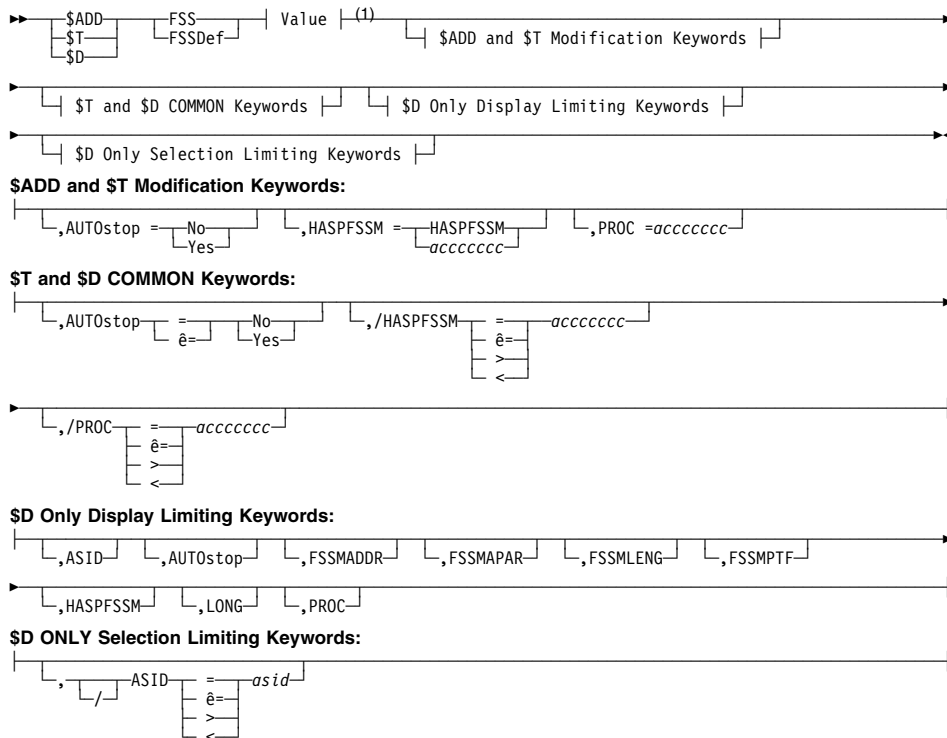
\$D Only Display limiting keywords:



Selection limiting keywords:



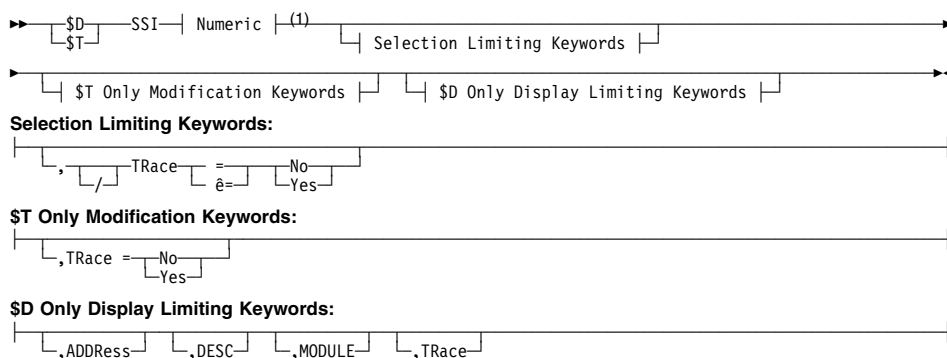
\$ADD, \$T, \$D FSS



Note:

1 See "JES2 Commands Common Syntax Elements" on page 6 (optional for \$D).

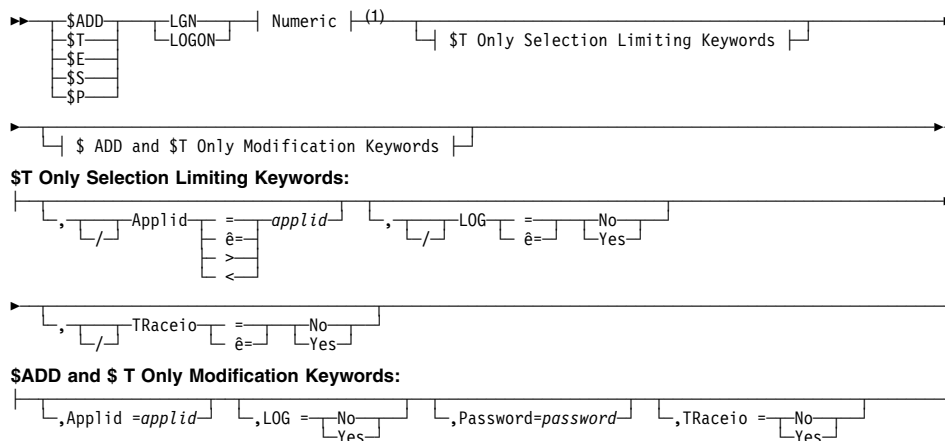
\$D, \$T, SSI



Note:

1 See "JES2 Commands Common Syntax Elements" on page 6 (optional for \$D).

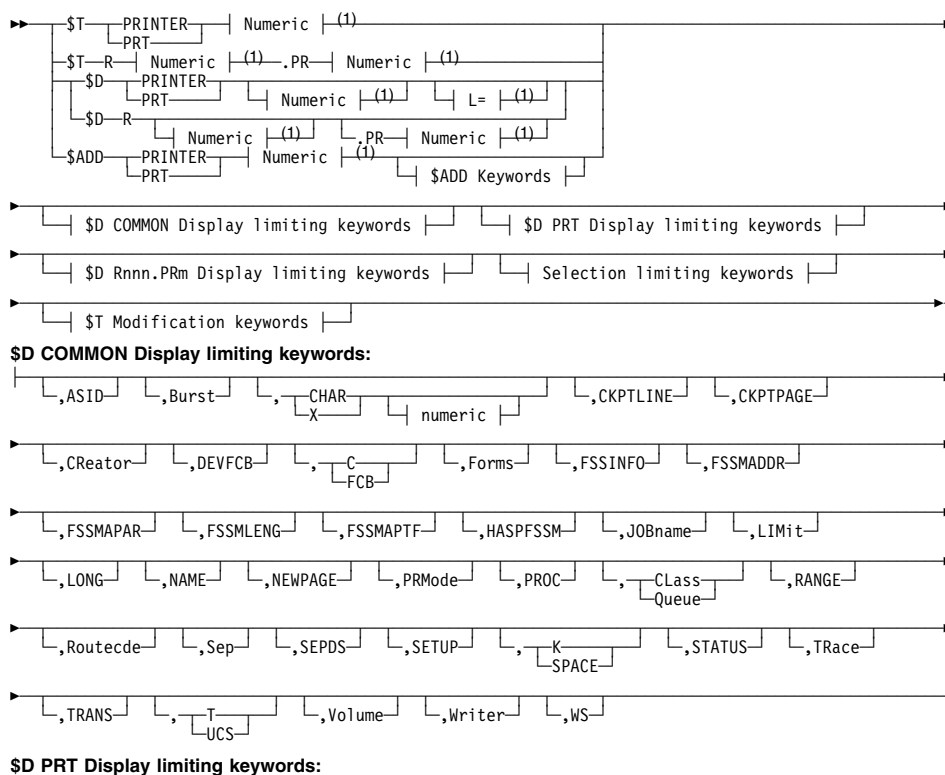
\$ADD, \$E, \$T, \$\$, \$P LOGON(n)

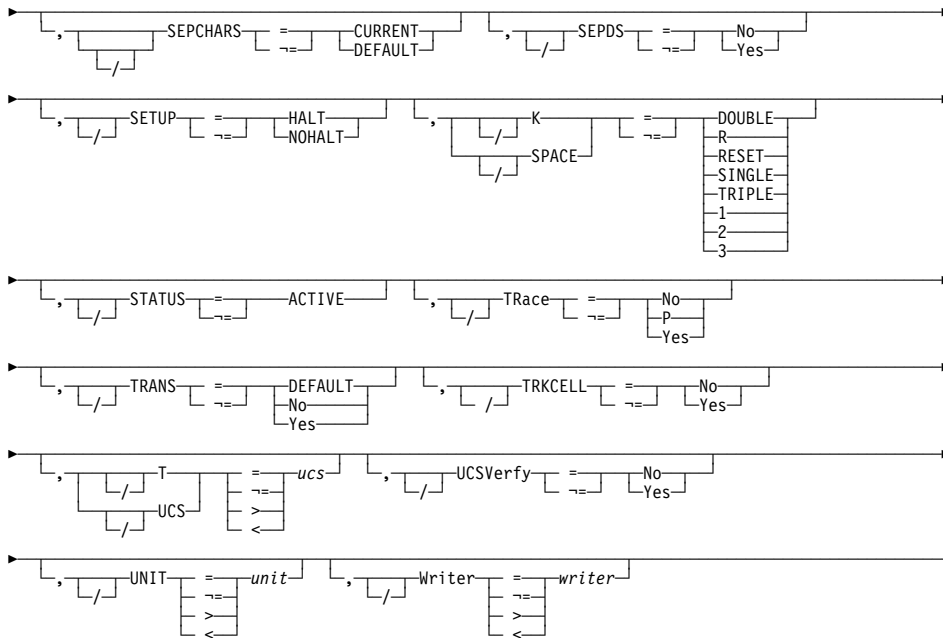


Note:

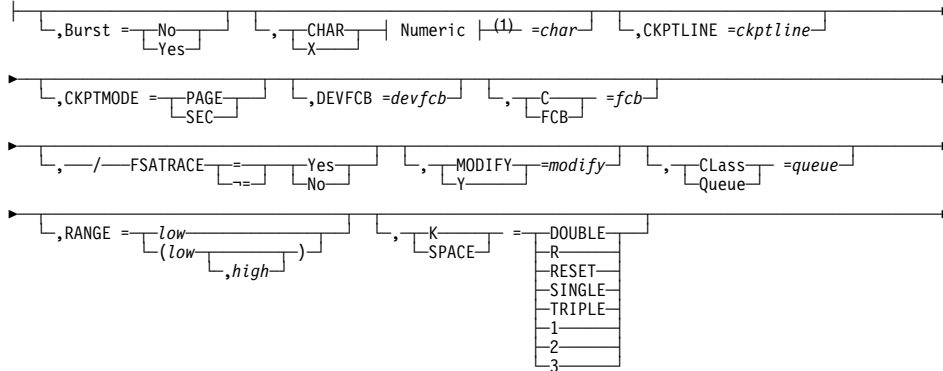
1 See "JES2 Commands Common Syntax Elements" on page 6.

\$ADD, \$D, \$T Printer (PRINTERnnnn, PRTnnnn, Rnnnn.PRnnnn)



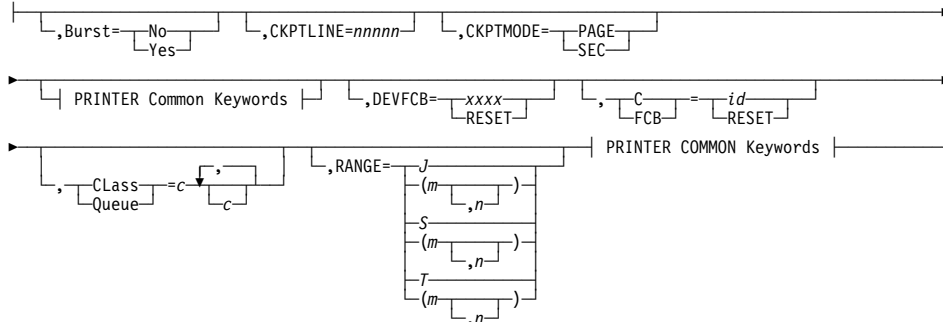


ST Modification keywords:

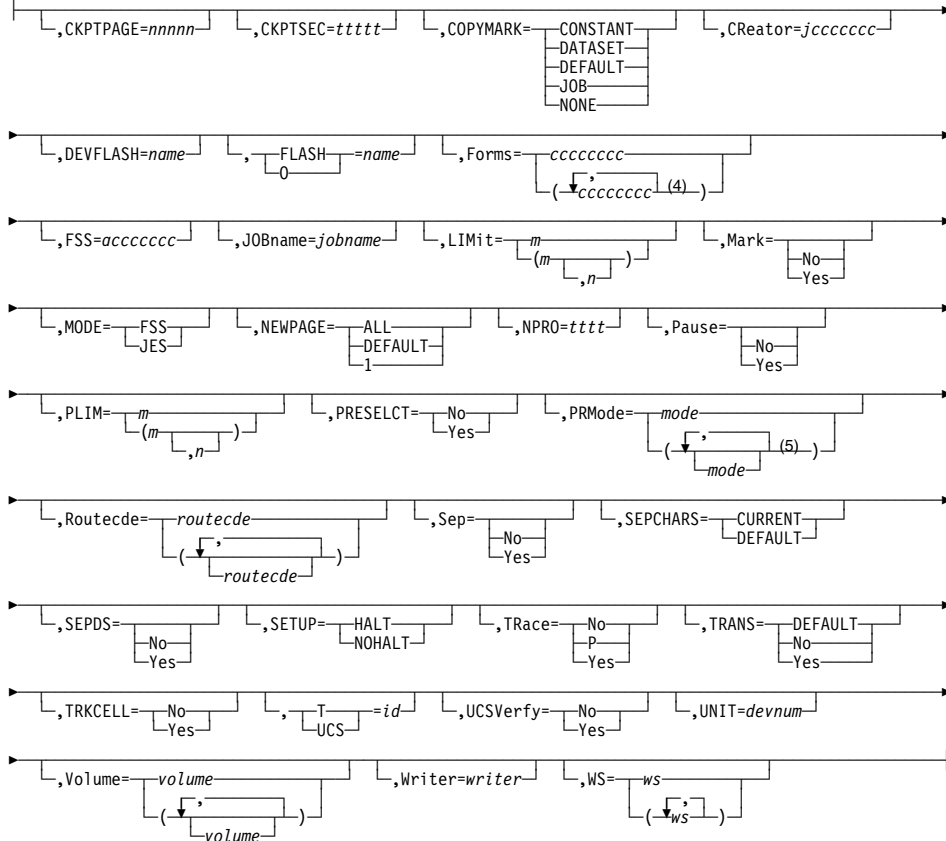


PRINTER Common Keywords |

SADD Keywords:



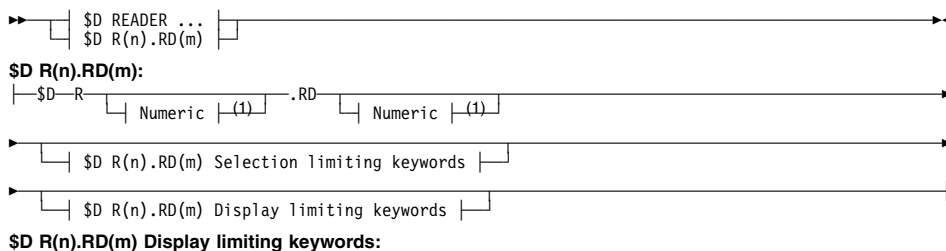
PRINTER Common Keywords:

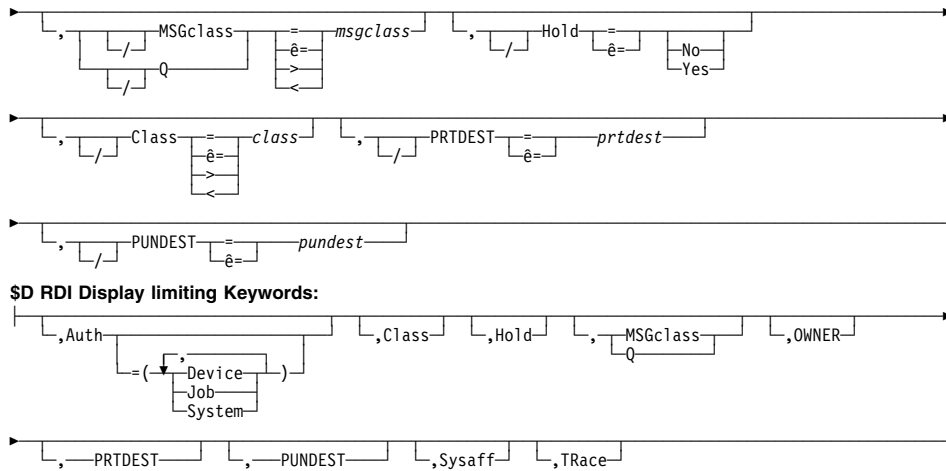


Notes:

- 1 See "JES2 Commands Common Syntax Elements" on page 6.
- 2 *form* can be coded up to 8 times.
- 3 *prmode* can be coded up to 8 times.
- 4 *form* can be coded up to 8 times.
- 5 *prmode* can be coded up to 8 times (mode1,mode2,...,mode8).

\$D RDR(nn) and \$D R(n).RD(m) - Display Command Authority for a Reader, \$D RDI

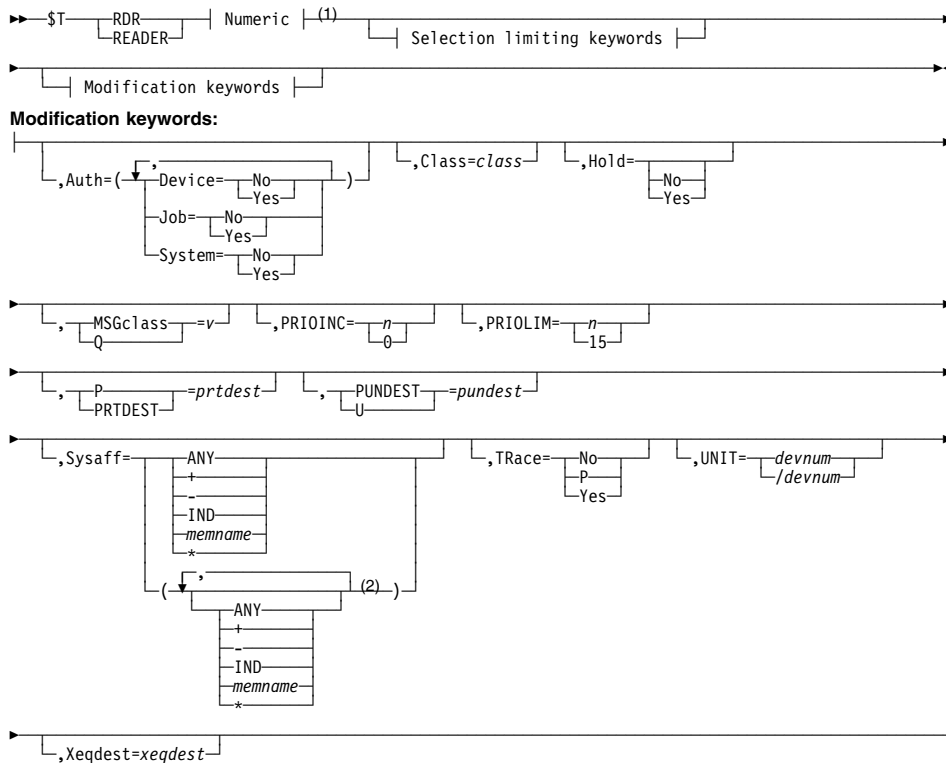


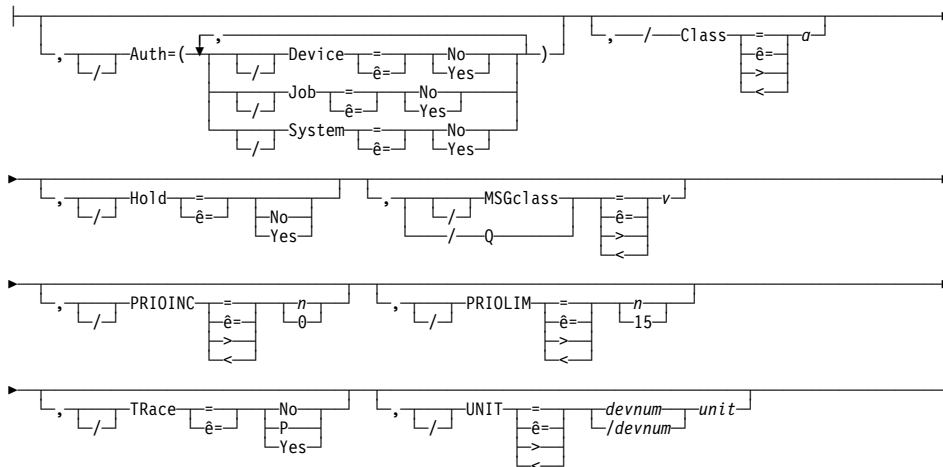


Note:

1 See "JES2 Commands Common Syntax Elements" on page 6.

\$T RDRnn and \$T Rnnnn.RDm - Control a Reader

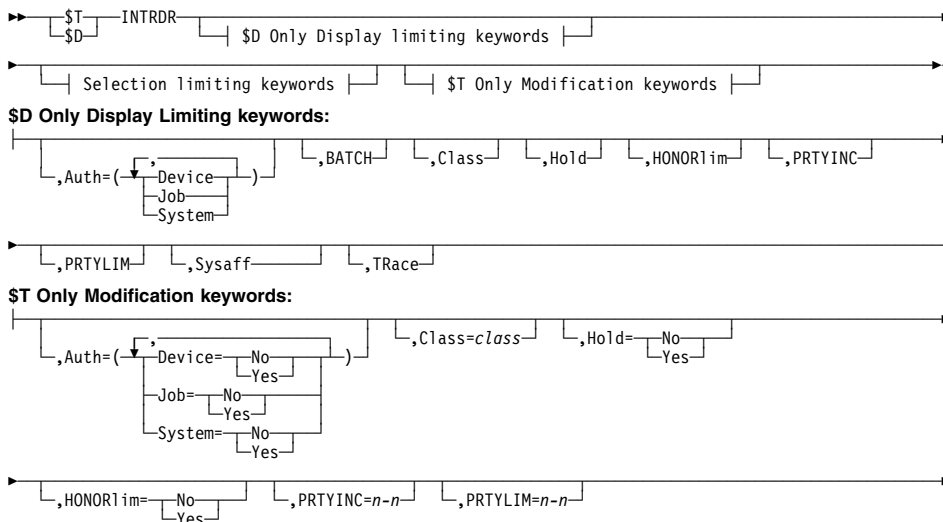


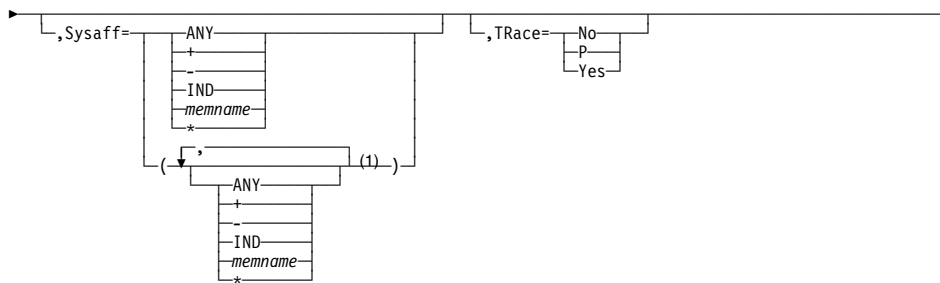


Notes:

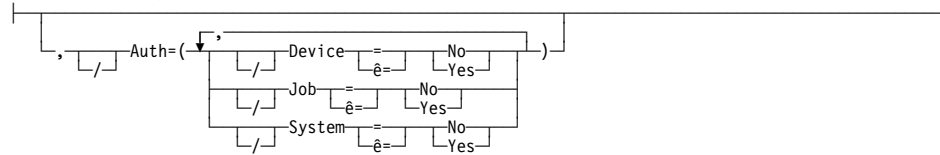
- 1 See "JES2 Commands Common Syntax Elements" on page 6.
- 2 *sysaff* can be coded up to 33 times.

\$T INTRDR - Control Internal Readers





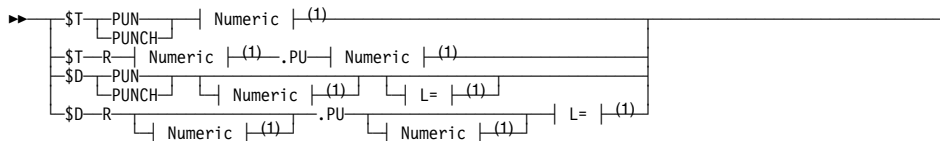
Selection limiting keywords:



Note:

¹ *sysaff* can be coded up to 33 times.

\$T, \$D Punch (PUNCHnn, PUNnn, Rnnn.PUm)



\$ D COMMON Display Limiting Keywords | \$ D PUNCH Display Limiting Keywords

\$ D Rnnn.PUm Display Limiting Keywords | Selection limiting keywords

\$T Only Modification keywords

\$D COMMON Display limiting keywords:

,CKPTLINE | ,CKPTPAGE | ,CReator | ,Forms | ,JOBname | ,LIMit | ,PRMode

,,Class | ,RANGE | ,Routecde | ,Sep | ,SEPDS | ,SETUP | ,STATUS

,,TRace | ,Volume | ,Writer | ,WS

\$D PUNCH Display limiting keywords:

,,Pause | ,UNIT

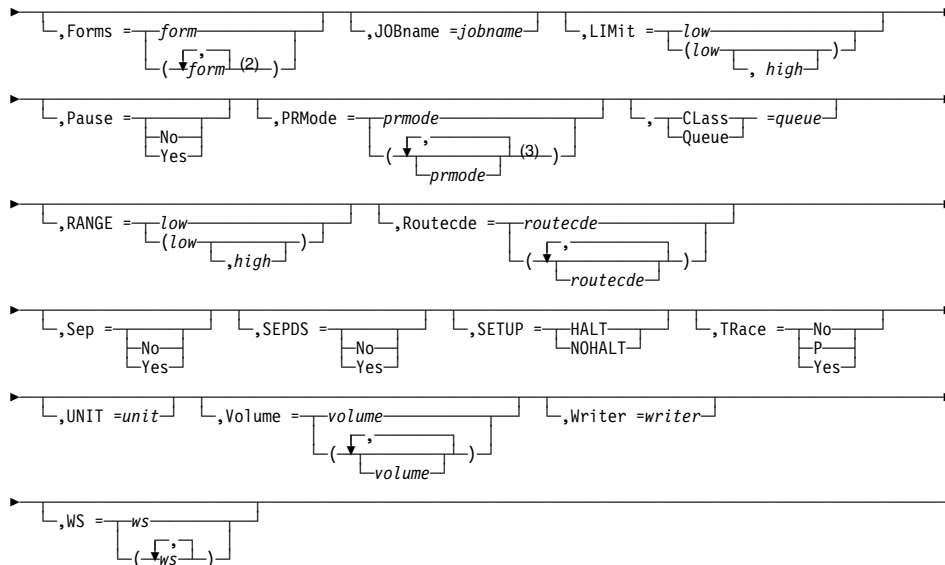
\$D Rnnn.PUm Display limiting keywords:

,,CKPTLINE | ,CCTL | ,CMPCT | ,COMPACT | ,COMPRESS | ,FLUSH

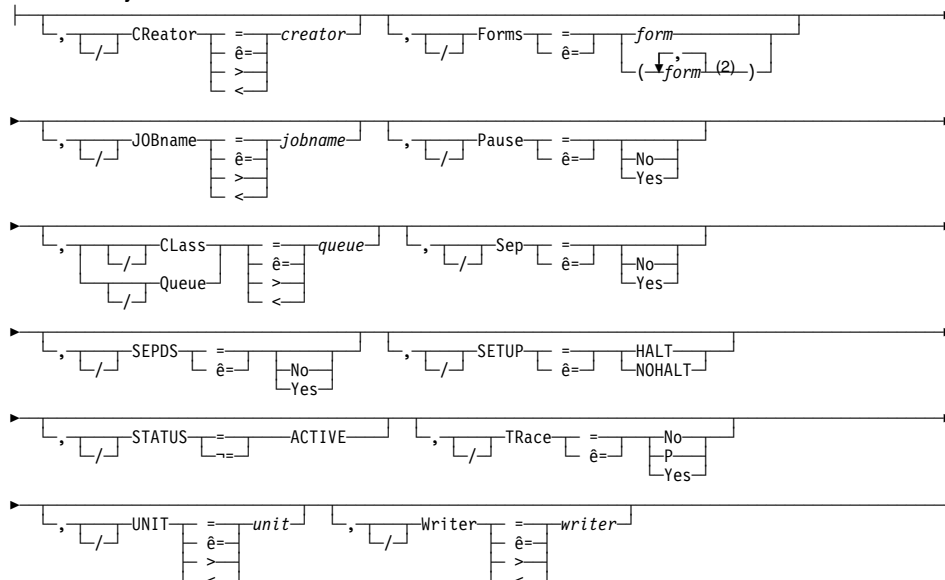
,,LRECL | ,SELECT | ,SUSPEND

\$T Only Modification keywords:

,,CKPTLINE =ckptline | ,CKPTPAGE =ckptpage | ,CReator =creator



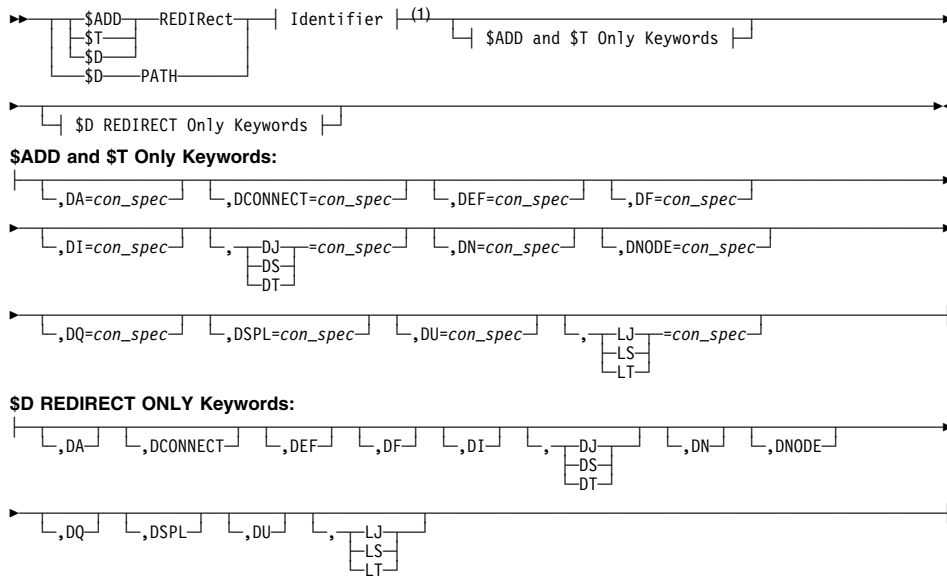
Selection Keywords:



Notes:

- 1 See "JES2 Commands Common Syntax Elements" on page 6.
- 2 *form* can be coded up to 8 times.
- 3 *prmode* can be coded up to 8 times.

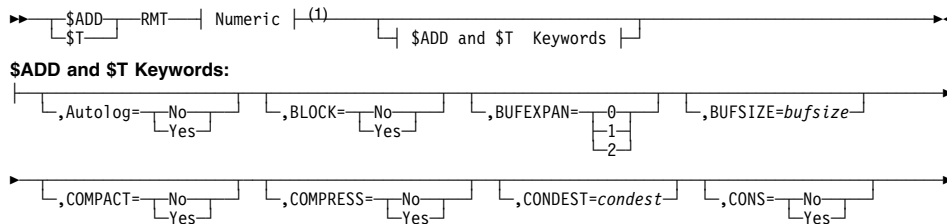
\$ADD, \$T, \$D REDIRECT, \$D PATH

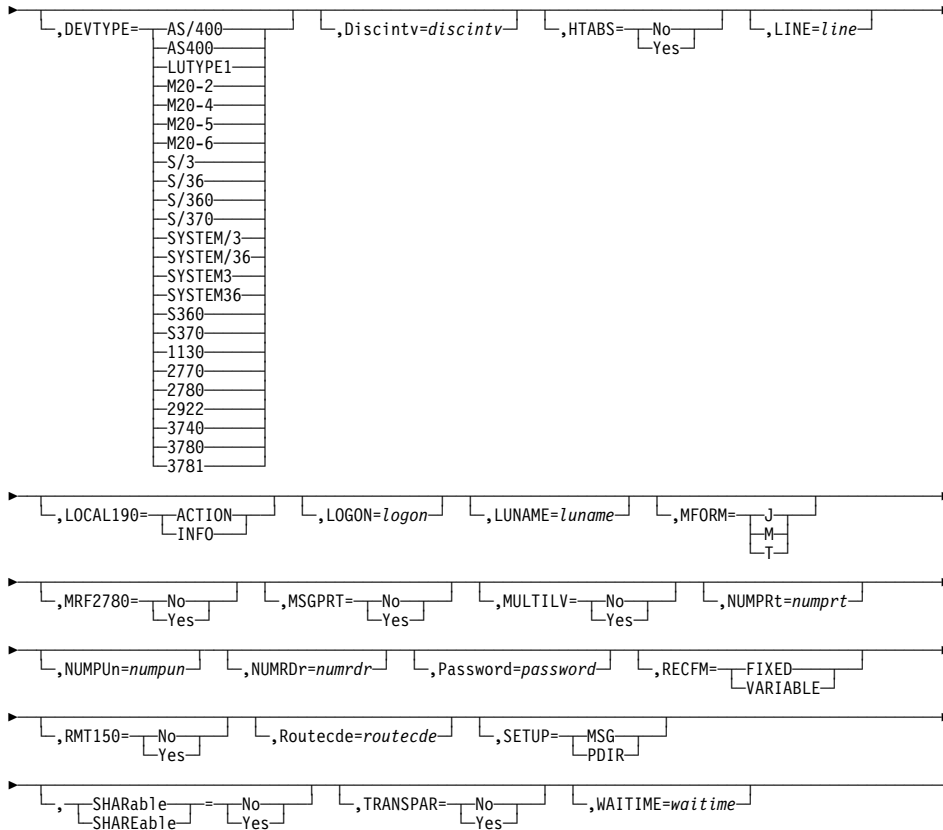


Note:

¹ See “JES2 Commands Common Syntax Elements” on page 6 (optional for \$D).

\$ADD, \$T RMT

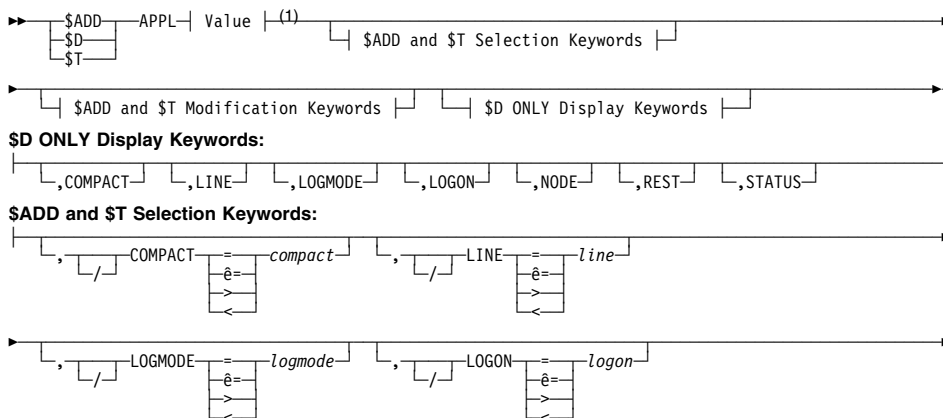


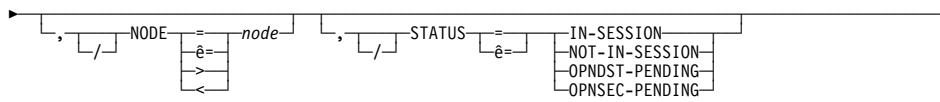


Note:

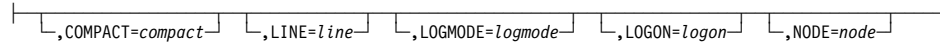
1 See "JES2 Commands Common Syntax Elements" on page 6.

\$ADD, \$D, \$T APPL





\$ADD and \$T Modification Keywords:



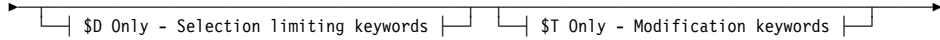
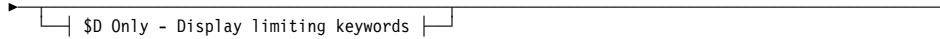
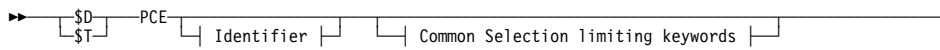
\$ADD Only Keywords:



Note:

1 See "JES2 Commands Common Syntax Elements" on page 6 (optional for \$D).

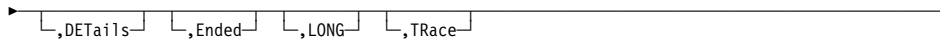
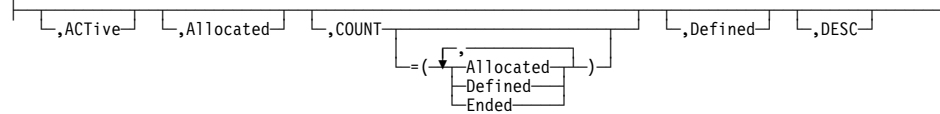
\$D, \$T PCE



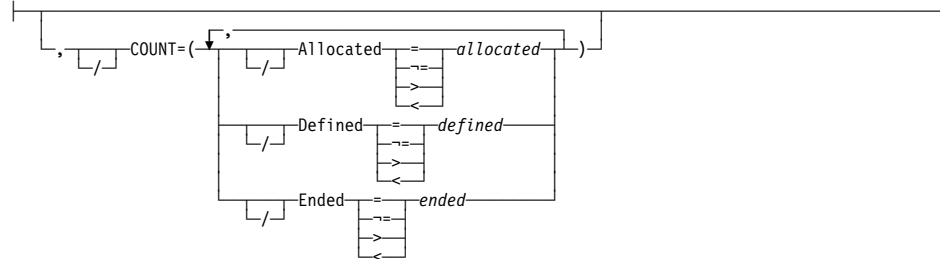
\$T Only - Modification keywords:



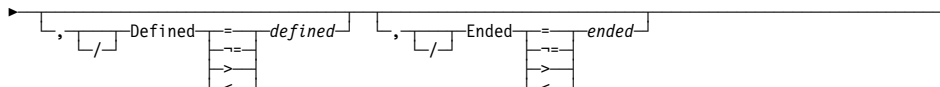
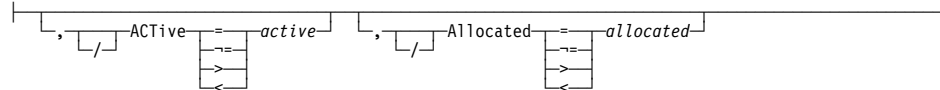
\$D Only - Display limiting keywords:



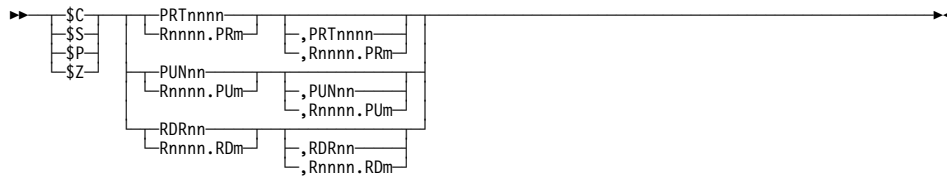
\$D Only - Selection limiting keywords:



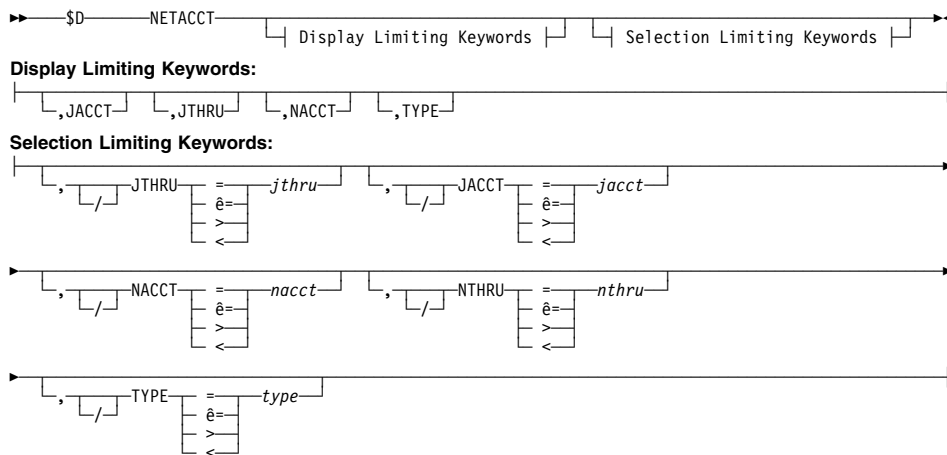
Common Selection limiting keywords:



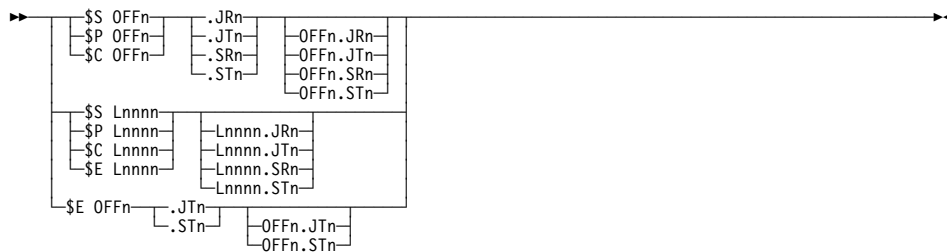
\$C, \$S, \$P, \$Z Printer/Punch/Reader



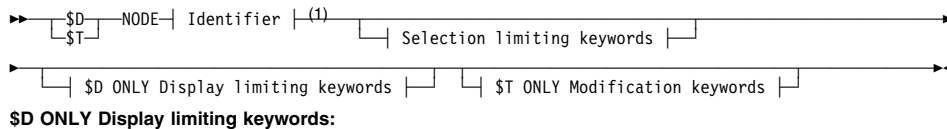
\$D NETACCT

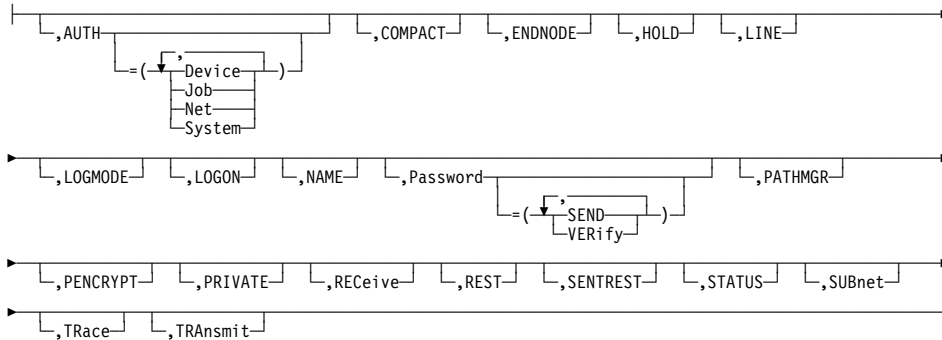


\$C, \$E, \$P, \$S NJE Device, Offload Transmitters and Receivers

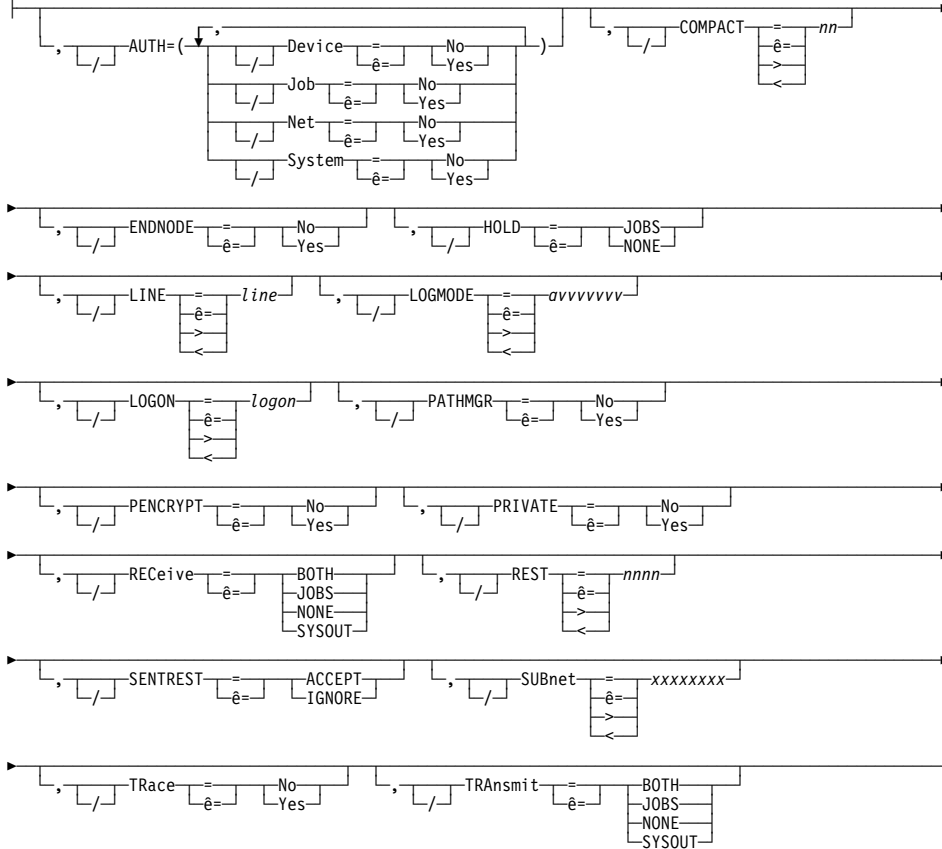


\$D, \$T NODE

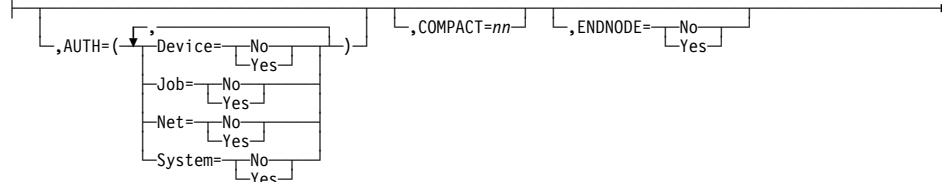


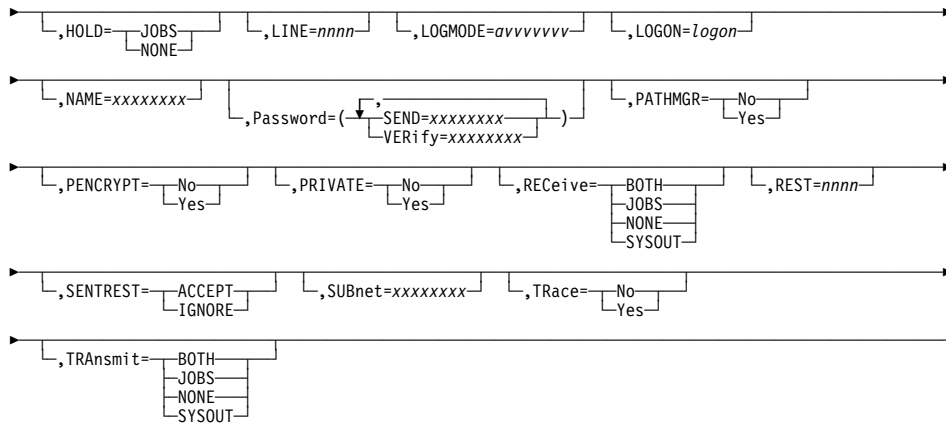


Selection limiting keywords:



\$T ONLY Modification keywords:

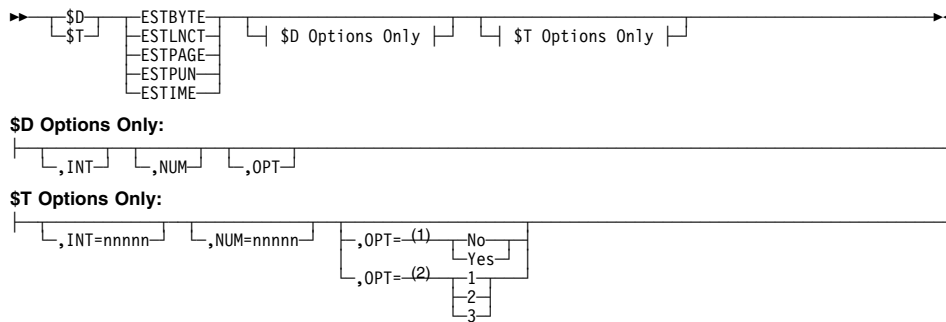




Note:

1 See "JES2 Commands Common Syntax Elements" on page 6 (optional for \$D).

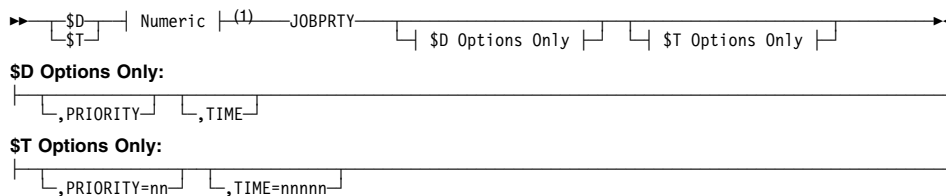
\$D, \$T ESTBYTE, ESTLNCT, ESTPAGE, ESTPUN, ESTIME



Notes:

- 1 Use for only \$T ESTIME.
- 2 Use for all except \$T ESTIME.

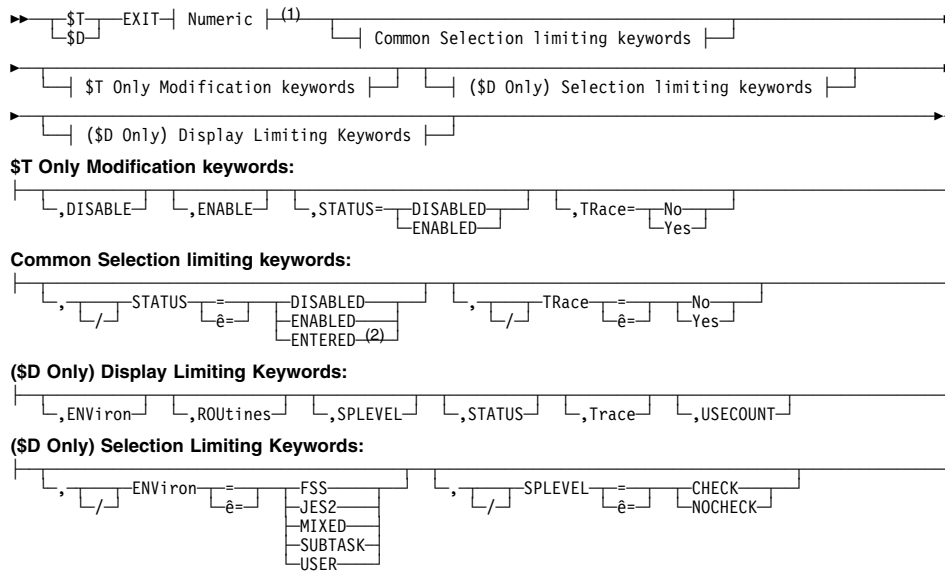
\$D, \$T JOBPRTY



Note:

1 See "JES2 Commands Common Syntax Elements" on page 6 (optional for \$D).

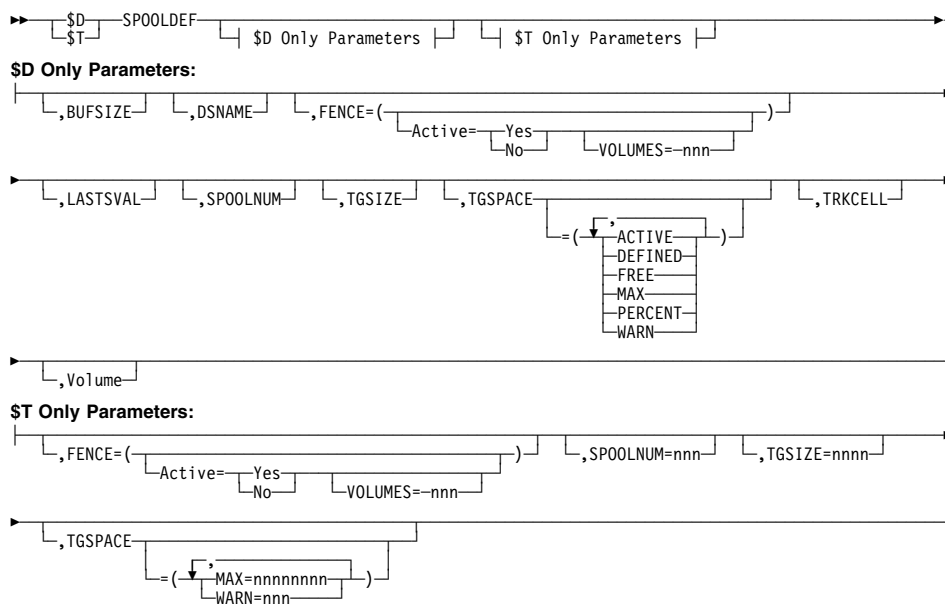
\$T, \$D EXITS



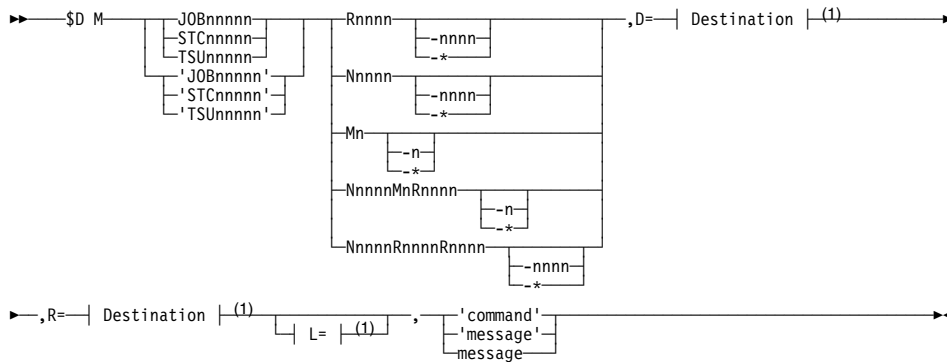
Notes:

- 1 See "JES2 Commands Common Syntax Elements" on page 6 (optional for \$D).
- 2 \$D only.

\$D, \$T SPOOLDEF



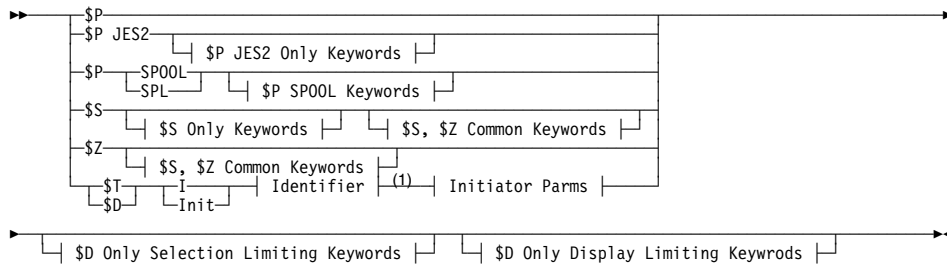
\$D M - Send Command



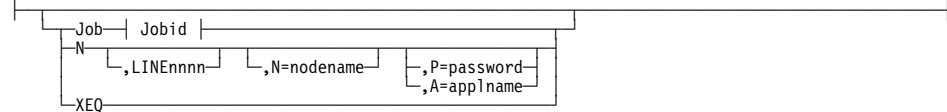
Note:

1 See "JES2 Commands Common Syntax Elements" on page 6 .

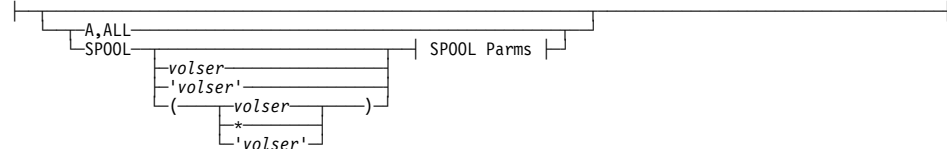
\$S, \$Z (A, I, Job, N, SPOOL, XEQ), \$P JES2, \$T I, \$D I



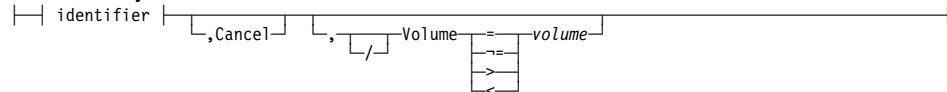
\$S Only Keyword:



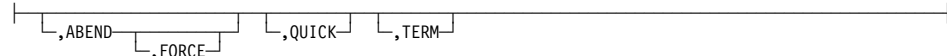
\$S, \$Z Common Keywords:



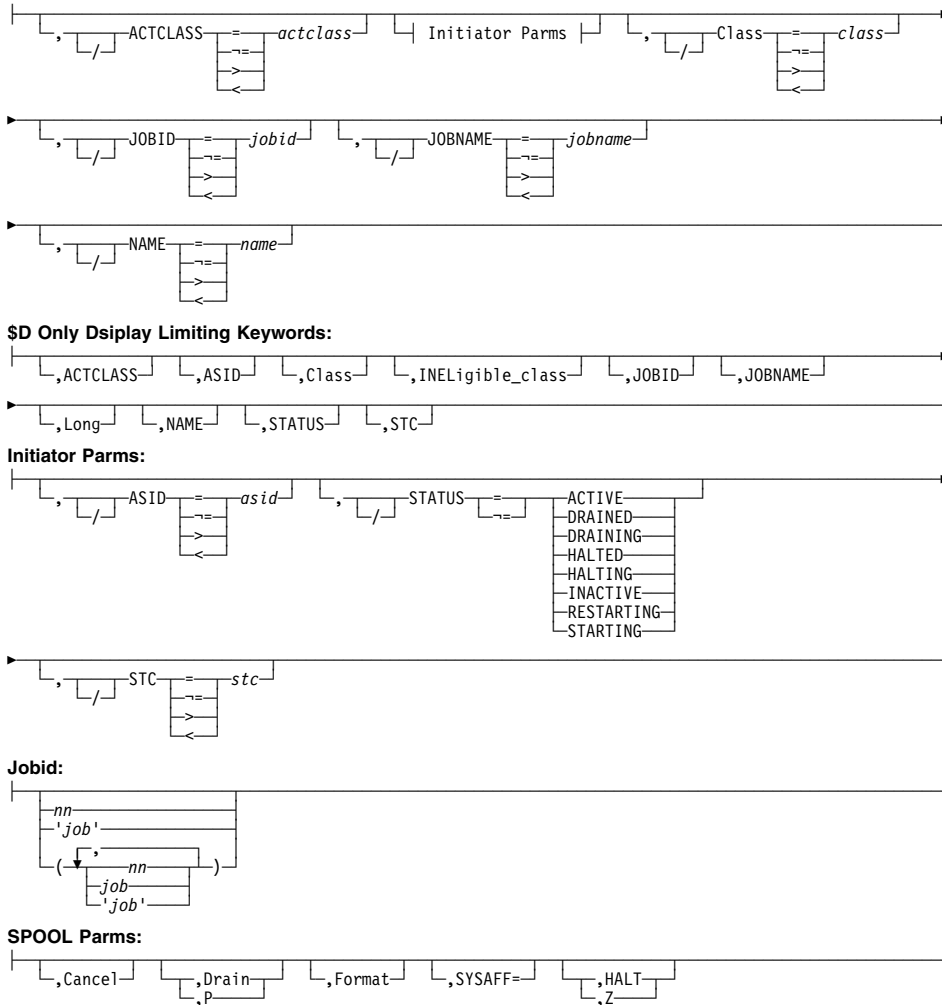
\$P SPOOL Keywords:



\$P JES2 Only Keywords:



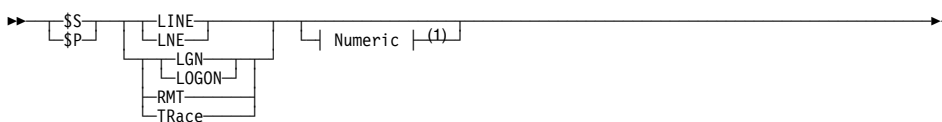
\$D ONLY Selection Limiting Keywords:



Note:

¹ See "JES2 Commands Common Syntax Elements" on page 6 (optional for \$D, \$S, \$Z).

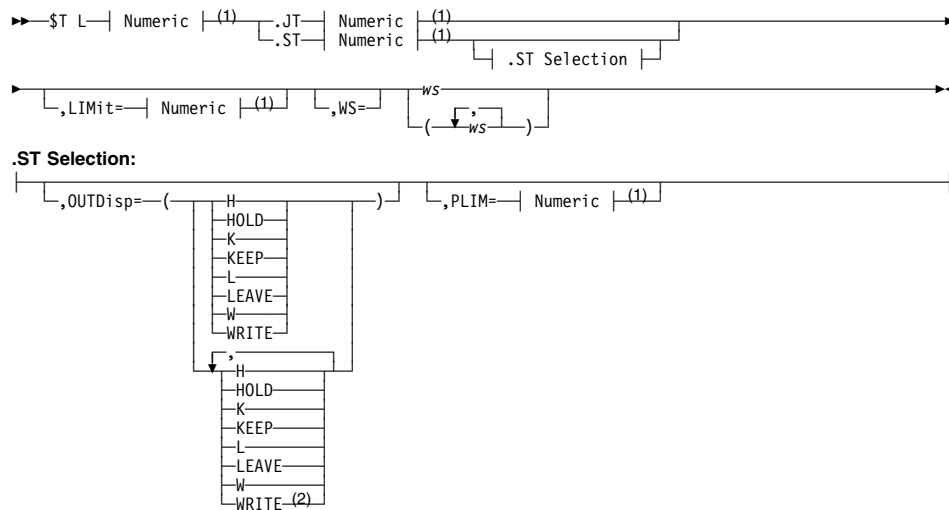
\$S, \$P Line, Logon, RMT, Trace



Note:

¹ See "JES2 Commands Common Syntax Elements" on page 6.

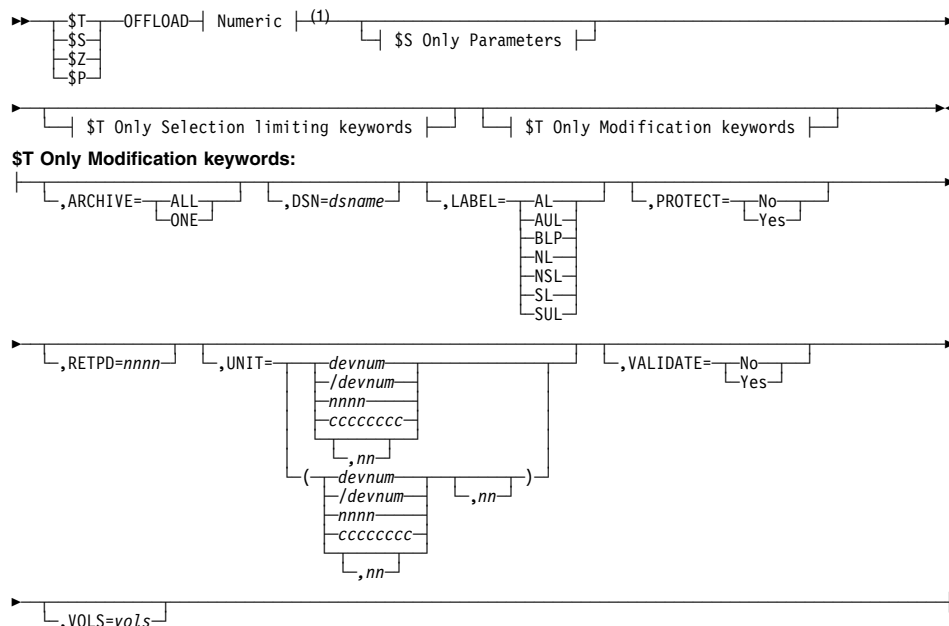
\$T Transmitter/Receivers



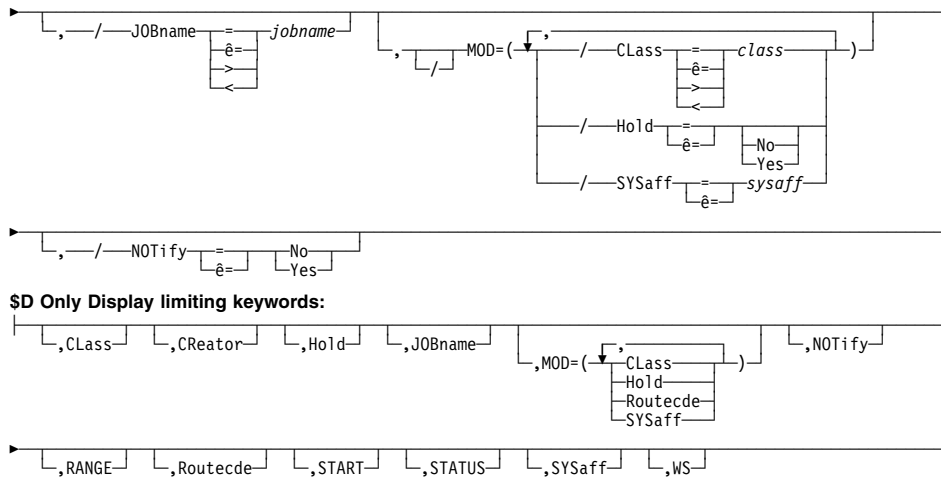
Notes:

- 1 See "JES2 Commands Common Syntax Elements" on page 6.
- 2 OUTDisp can be coded up to 4 times.

\$T, \$S, \$Z, \$P OFFLOAD(n)



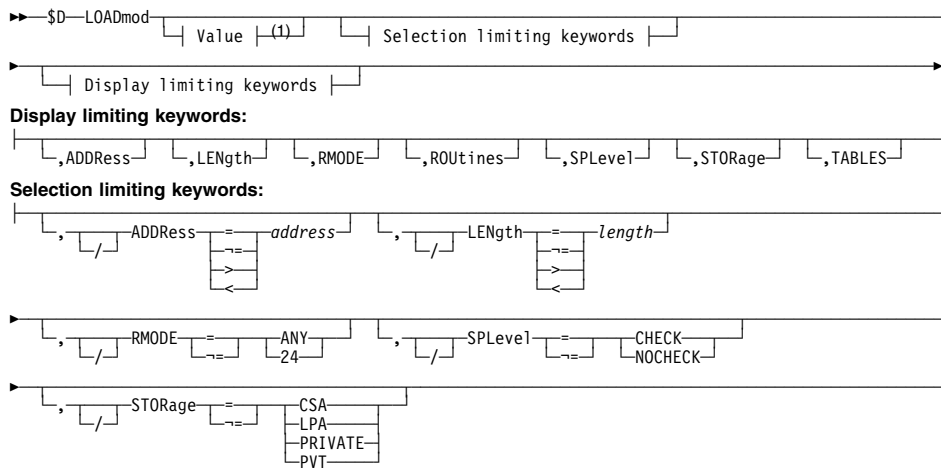
\$T Only Selection limiting keywords:



Notes:

- 1 See "JES2 Commands Common Syntax Elements" on page 6 (optional for \$D).
- 2 *sysaff* can be coded up to 32 times.

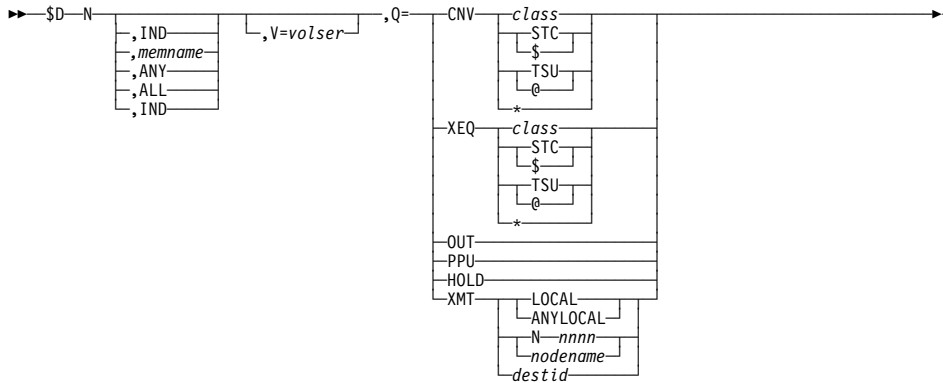
\$D LOADMOD(jxxxxxxx) - Display Load Module Information



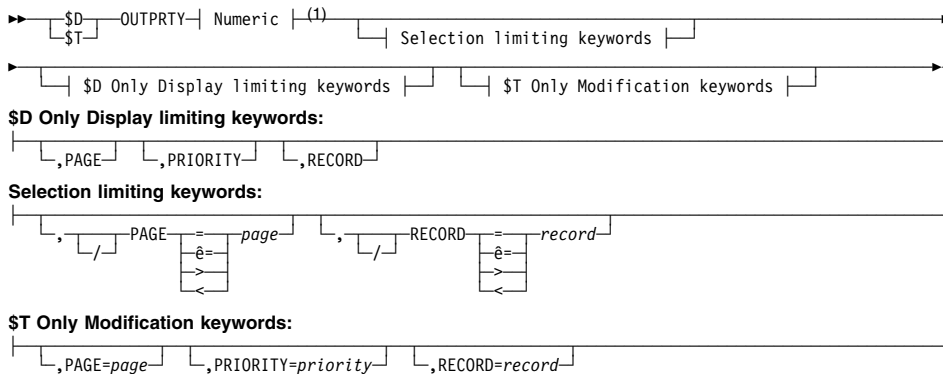
Note:

- 1 See "JES2 Commands Common Syntax Elements" on page 6.

\$D N - Display Job Queue Information



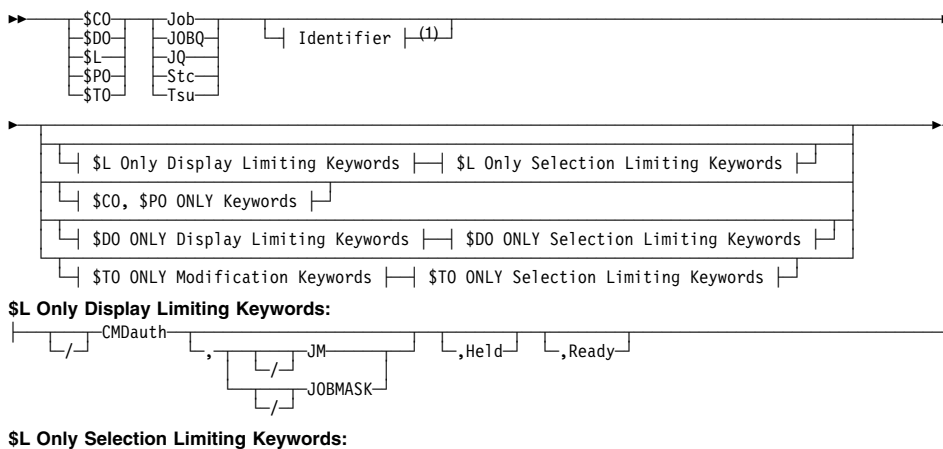
\$D, \$T OUTPRTY - Display/Specify Job Output Priority

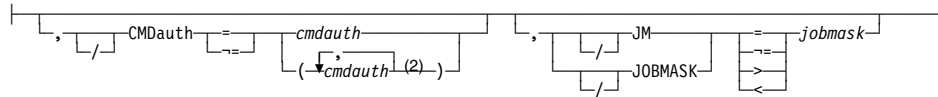


Note:

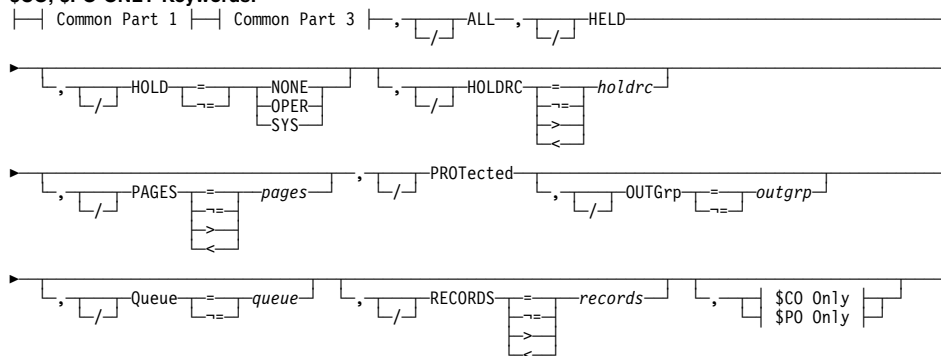
1 See "JES2 Commands Common Syntax Elements" on page 6 (optional for \$D).

\$ Job Output Commands





\$CO, \$PO ONLY Keywords:



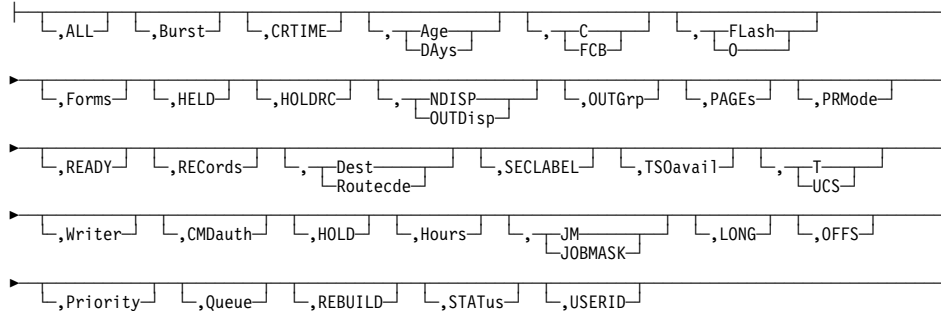
\$CO Only:



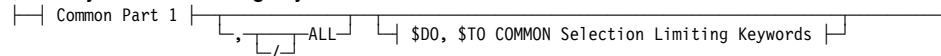
\$PO Only:



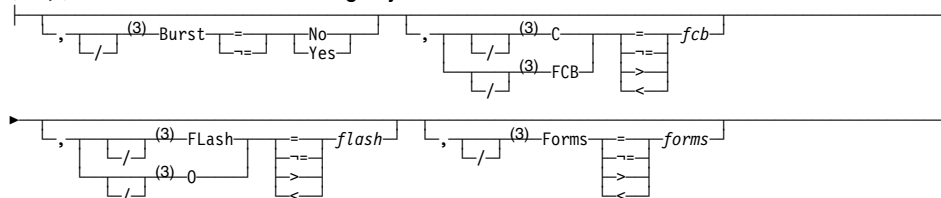
\$DO Only Display Limiting Keywords:

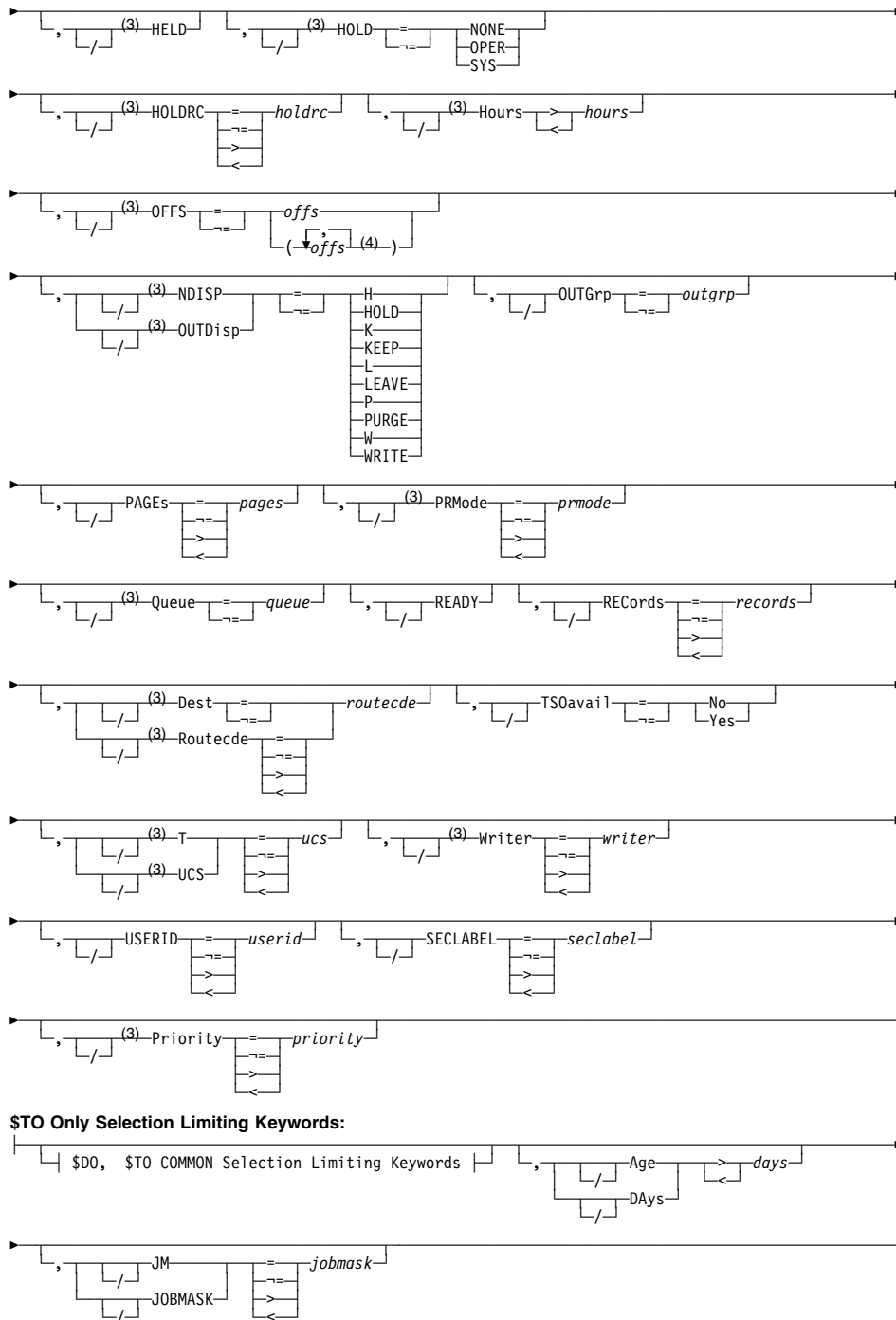


\$DO Only Selection Limiting Keywords:

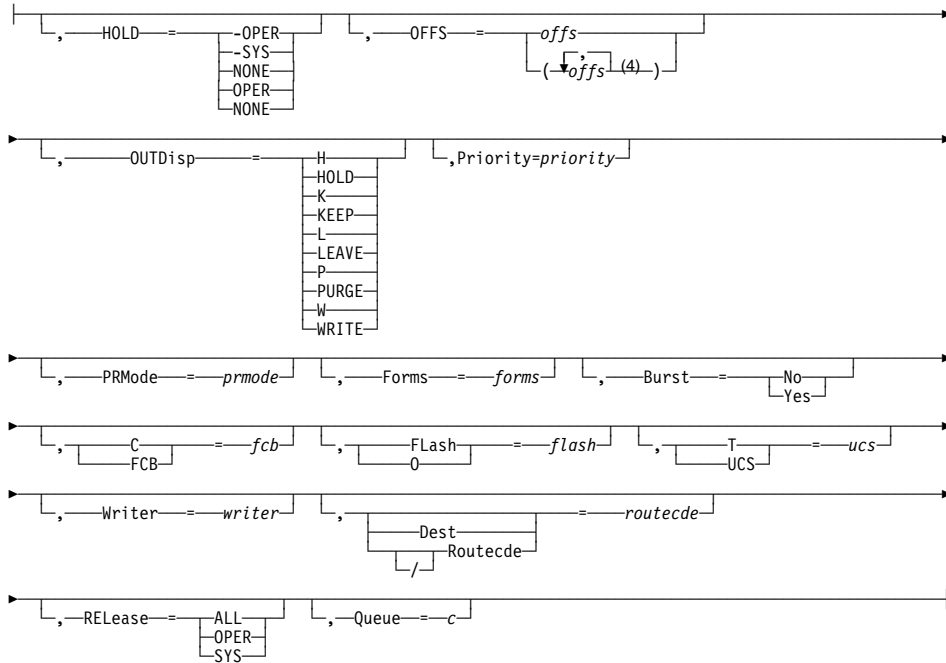


\$DO, \$TO COMMON Selection Limiting Keywords:

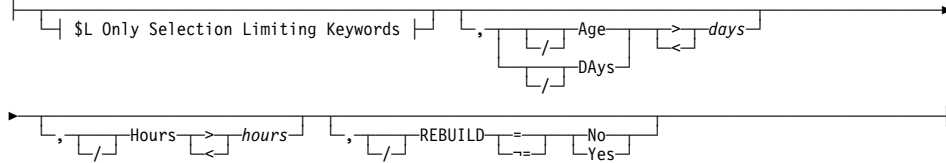




\$TO Only Modification Keywords:



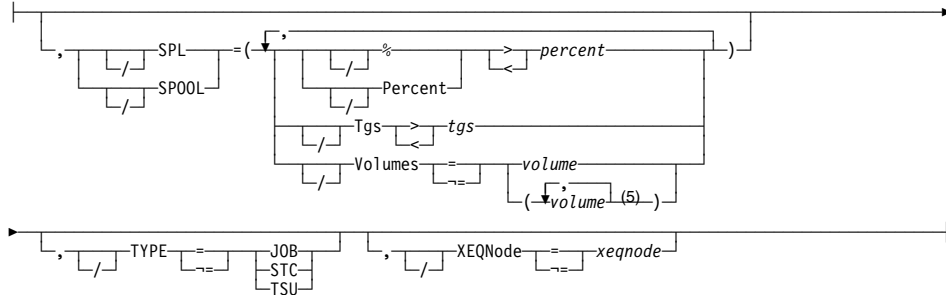
Common Part 1:



Common Part 2:



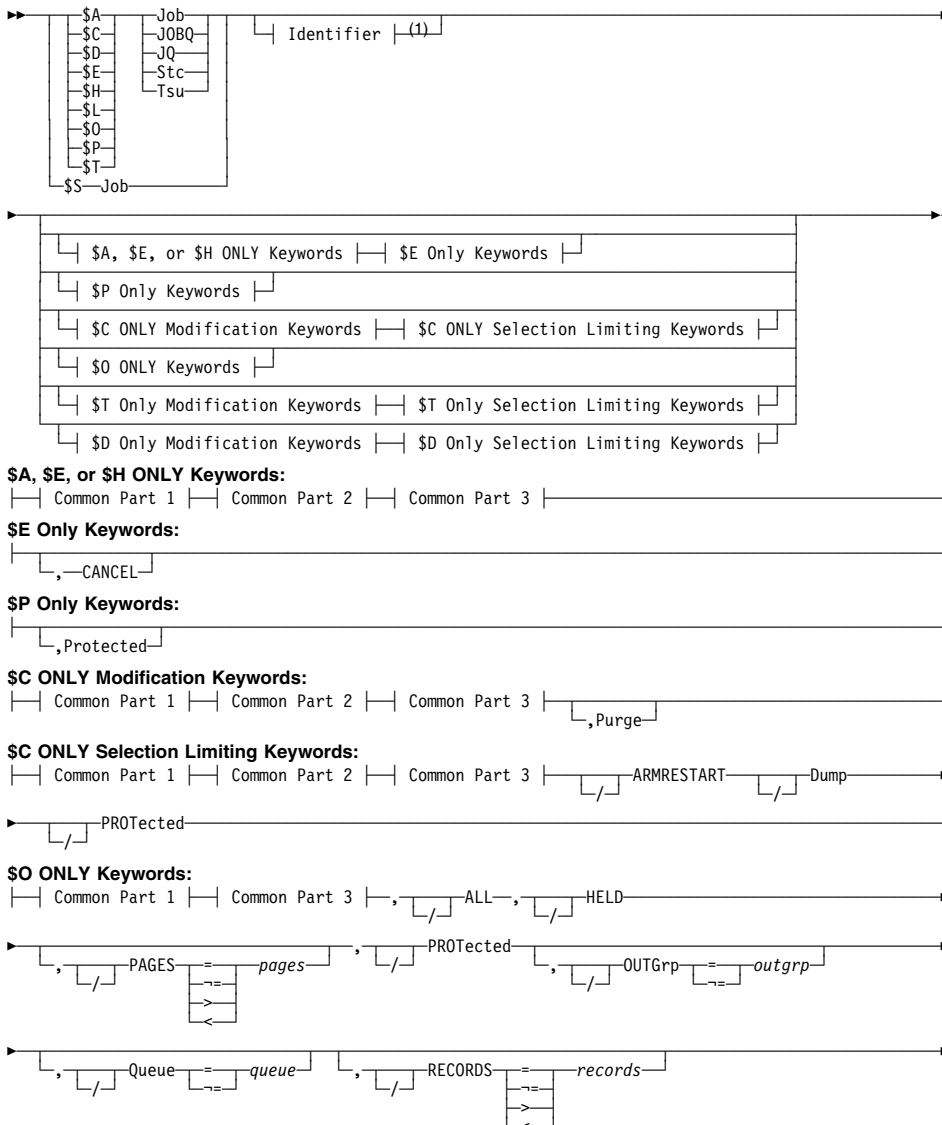
Common Part 3:

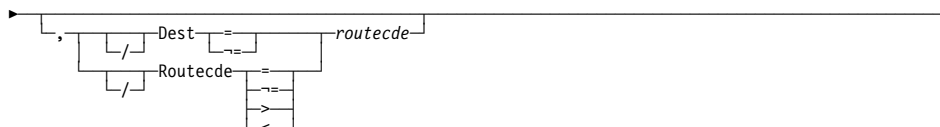


Notes:

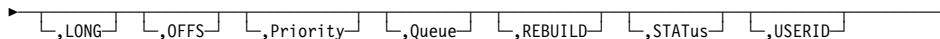
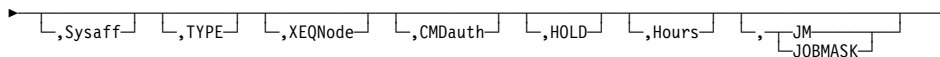
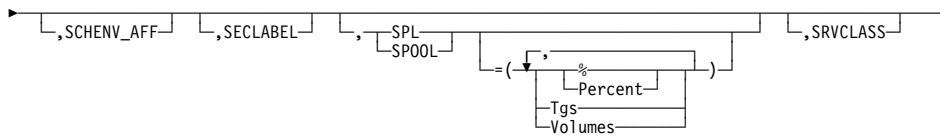
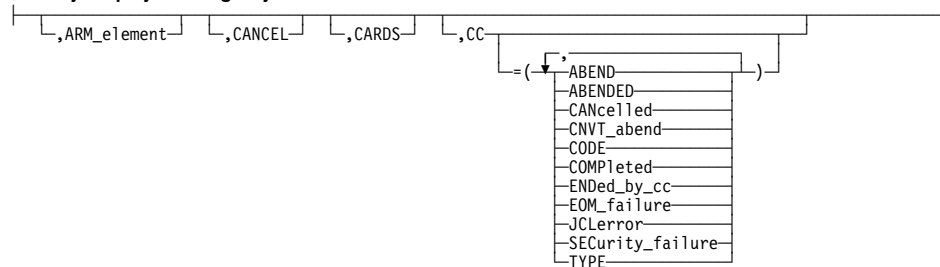
- 1 See "JES2 Commands Common Syntax Elements" on page 6.
- 2 *cmdauth* can be coded up to 2 times.
- 3 *"I"* is mandatory for \$TO.
- 4 *offs* can be coded up to 8 times.
- 5 *volume* can be coded up to 253 times.

\$ Job Commands

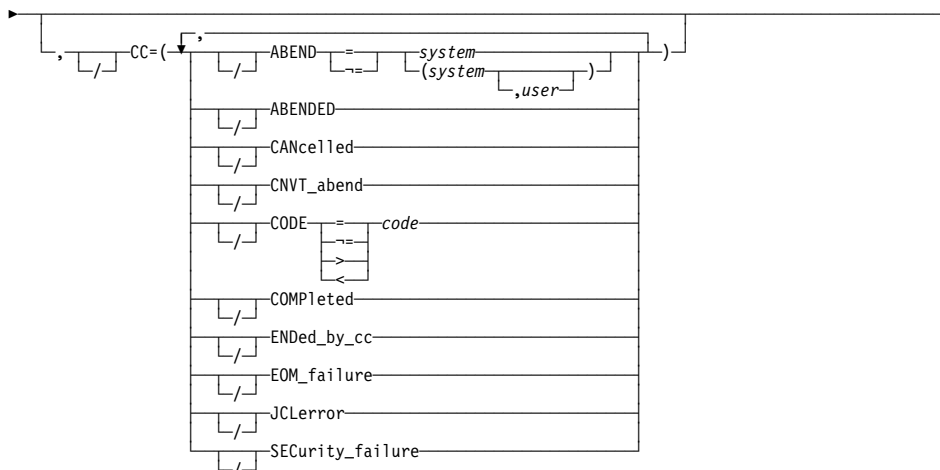
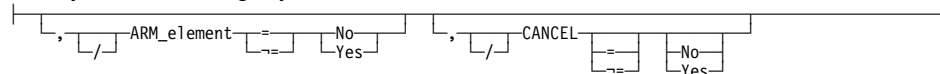


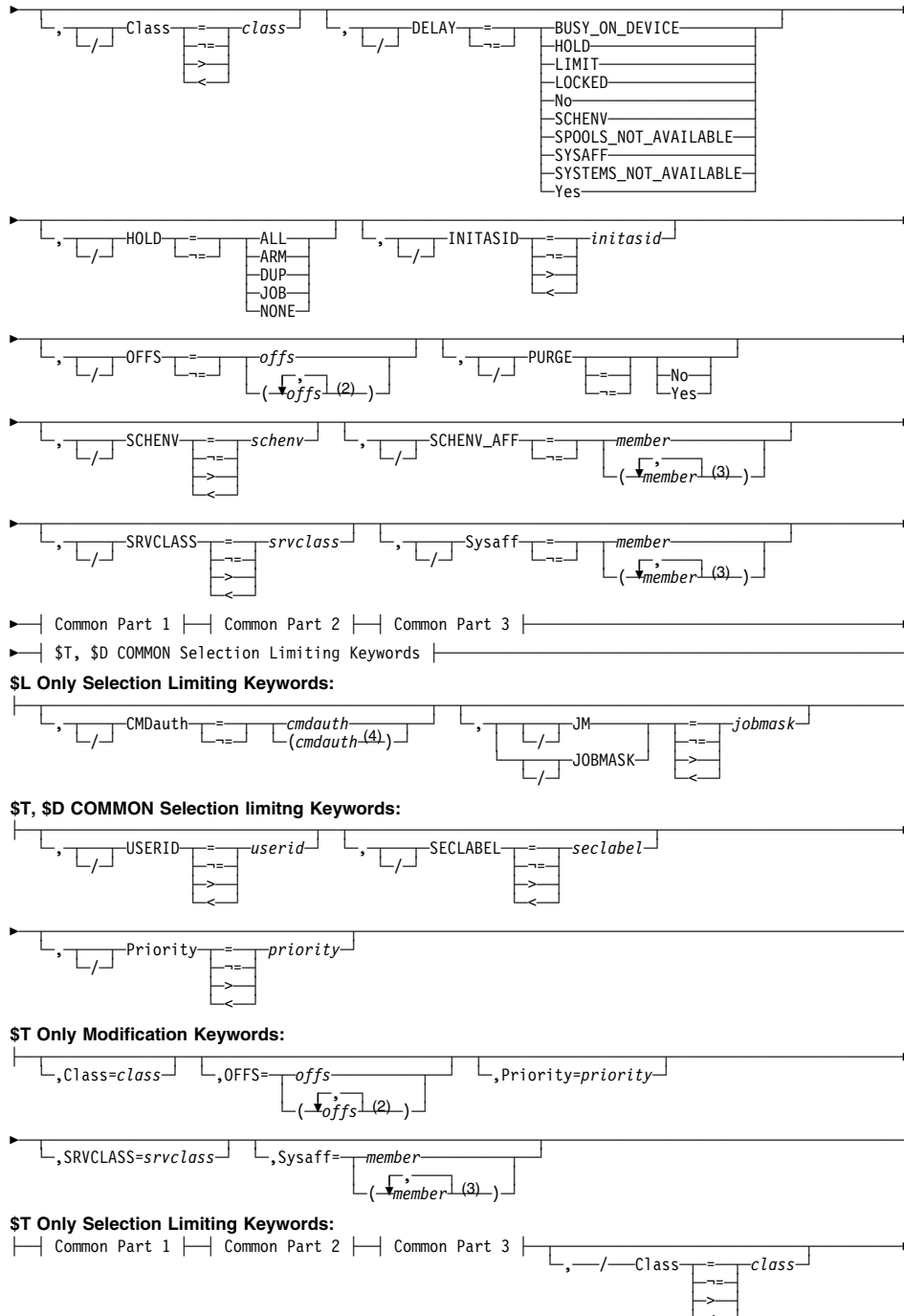


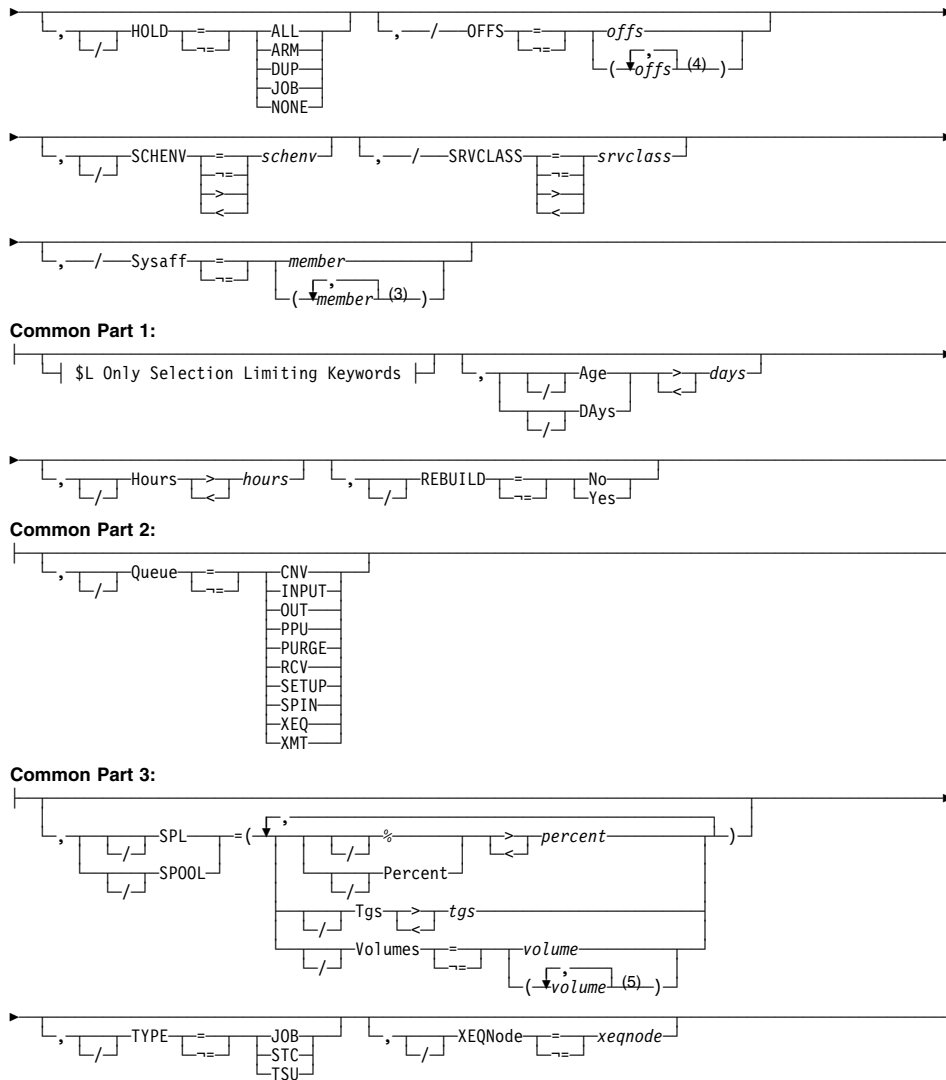
SD Only Display Limiting Keywords:



SD Only Selection Limiting Keywords:







Notes:

- 1 See "JES2 Commands Common Syntax Elements" on page 6.
- 2 `offs` can be coded up to 8 times
- 3 `member` can be coded up to 33 times
- 4 `cmdauth` can be coded up to 2 times.
- 5 `volume` can be coded up to 253 times

\$V S - Enter MVS System Commands through JES2



\$Mnn - Send commands to other MAS members

▶▶ \$M—nn—, 'command' —▶▶

\$Nnnnn - Send Commands through the Network

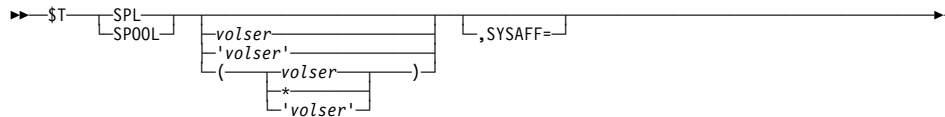
▶▶ \$N

nnnn (Mmm)
,D= Nnnnn
name

 , 'command' —▶▶

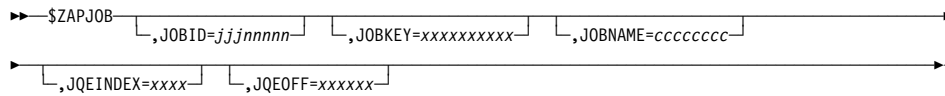
| \$D Line - Display a Line

\$T SPOOL - Modify a Spool Volume



\$ZAPJOB - Remove Job Structure from Job Queue

Note: Use of this command can cause JES2 outages on multiple members of a MAS. Ensure you read and understand the restriction in the JES2 Commands manual before using this command.



Appendix A. Notices

This information was developed for products and services offered in the USA.

IBM may not offer the products, services, or features discussed in this document in other countries. Consult your local IBM representative for information on the products and services currently available in your area. Any reference to an IBM product, program, or service is not intended to state or imply that only that IBM product, program, or service may be used. Any functionally equivalent product, program, or service that does not infringe any IBM intellectual property right may be used instead. However, it is the user's responsibility to evaluate and verify the operation of any non-IBM product, program, or service.

IBM may have patents or pending patent applications covering subject matter described in this document. The furnishing of this document does not give you any license to these patents. You can send license inquiries, in writing, to:

IBM Director of Licensing
IBM Corporation
North Castle Drive
Armonk, NY 10504-1785
USA

For license inquiries regarding double-byte (DBCS) information, contact the IBM Intellectual Property Department in your country or send inquiries, in writing, to:

IBM World Trade Asia Corporation
Licensing
2-31 Roppongi 3-chome, Minato-ku
Tokyo 106, Japan

The following paragraph does not apply to the United Kingdom or any other country where such provisions are inconsistent with local law: INTERNATIONAL BUSINESS MACHINES CORPORATION PROVIDES THIS PUBLICATION "AS IS" WITHOUT WARRANTY OF ANY KIND, EITHER EXPRESS OR IMPLIED, INCLUDING, BUT NOT LIMITED TO, THE IMPLIED WARRANTIES OF NON-INFRINGEMENT, MERCHANTABILITY OR FITNESS FOR A PARTICULAR PURPOSE. Some states do not allow disclaimer of express or implied warranties in certain transactions, therefore, this statement may not apply to you.

This information could include technical inaccuracies or typographical errors. Changes are periodically made to the information herein; these changes will be incorporated in new editions of the publication. IBM may make improvements and/or changes in the product(s) and/or the program(s) described in this publication at any time without notice.

Any references in this information to non-IBM Web sites are provided for convenience only and do not in any manner serve as an endorsement of those Web sites. The

materials at those Web sites are not part of the materials for this IBM product and use of those Web sites is at your own risk.

IBM may use or distribute any of the information you supply in any way it believes appropriate without incurring any obligation to you.

Licensees of this program who wish to have information about it for the purpose of enabling: (i) the exchange of information between independently created programs and other programs (including this one) and (ii) the mutual use of the information which has been exchanged, should contact:

IBM Corporation
Mail Station P300
2455 South Road
Poughkeepsie, NY 12601-5400
USA
Attention: Information Request

Such information may be available, subject to appropriate terms and conditions, including in some cases, payment of a fee.

The licensed program described in this information and all licensed material available for it are provided by IBM under terms of the IBM Customer Agreement, IBM International Program License Agreement, or any equivalent agreement between us.

If you are viewing this information softcopy, the photographs and color illustrations may not appear.

Trademarks

The following terms are trademarks of the IBM Corporation in the United States and/or other countries:

- AS/400
- IBM
- IBMLink
- MVS/ESA
- OS/390
- S/370
- VTAM

Other company, product, and service names may be trademarks or service marks of others.

Communicating Your Comments to IBM

OS/390
JES2 Commands Summary
Publication No. GX22-0041-06

If you especially like or dislike anything about this book, please use one of the methods listed below to send your comments to IBM. Whichever method you choose, make sure you send your name, address, and telephone number if you would like a reply.

Feel free to comment on specific errors or omissions, accuracy, organization, subject matter, or completeness of this book. However, the comments you send should pertain to only the information in this manual and the way in which the information is presented. To request additional publications, or to ask questions or make comments about the functions of IBM products or systems, you should talk to your IBM representative or to your IBM authorized remarketer.

When you send comments to IBM, you grant IBM a nonexclusive right to use or distribute your comments in any way it believes appropriate without incurring any obligation to you.

If you are mailing a reader's comment form (RCF) from a country other than the United States, you can give the RCF to the local IBM branch office or IBM representative for postage-paid mailing.

- If you prefer to send comments by mail, use the RCF at the back of this book.
- If you prefer to send comments by FAX, use this number:
 - FAX: (International Access Code)+1+845+432-9405
- If you prefer to send comments electronically, use one of these network IDs:
 - Internet e-mail: mhvrcfs@us.ibm.com
 - World Wide Web: <http://www.ibm.com/s390/os390/webqs.html>

Make sure to include the following in your note:

- Title and publication number of this book
- Page number or topic to which your comment applies

Optionally, if you include your telephone number, we will be able to respond to your comments by phone.

Reader's Comments — We'd Like to Hear from You

OS/390

JES2 Commands Summary

Publication No. GX22-0041-06

You may use this form to communicate your comments about this publication, its organization, or subject matter, with the understanding that IBM may use or distribute whatever information you supply in any way it believes appropriate without incurring any obligation to you. Your comments will be sent to the author's department for whatever review and action, if any, are deemed appropriate.

Note: Copies of IBM publications are not stocked at the location to which this form is addressed. Please direct any requests for copies of publications, or for assistance in using your IBM system, to your IBM representative or to the IBM branch office serving your locality.

Today's date: _____

What is your occupation?

Newsletter number of latest Technical Newsletter (if any) concerning this publication:

How did you use this publication?

- | | | | |
|--------------------------|-------------------------------|--------------------------|------------------------|
| <input type="checkbox"/> | As an introduction | <input type="checkbox"/> | As a text (student) |
| <input type="checkbox"/> | As a reference manual | <input type="checkbox"/> | As a text (instructor) |
| <input type="checkbox"/> | For another purpose (explain) | | |

Is there anything you especially like or dislike about the organization, presentation, or writing in this manual? Helpful comments include general usefulness of the book; possible additions, deletions, and clarifications; specific errors and omissions.

Page Number:

Comment:

Name

Address

Company or Organization

Phone No.

Reader's Comments — We'd Like to Hear from You
GX22-0041-06



Cut or Fold
Along Line

Fold and Tape

Please do not staple

Fold and Tape



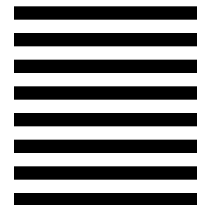
NO POSTAGE
NECESSARY
IF MAILED IN THE
UNITED STATES

BUSINESS REPLY MAIL

FIRST-CLASS MAIL PERMIT NO. 40 ARMONK, NEW YORK

POSTAGE WILL BE PAID BY ADDRESSEE

IBM Corporation
Department 55JA, Mail Station P384
2455 South Road
Poughkeepsie, NY 12601-5400



Fold and Tape

Please do not staple

Fold and Tape

GX22-0041-06

Cut or Fold
Along Line



Program Number: 5647-A01



Printed in the United States of America
on recycled paper containing 10%
recovered post-consumer fiber.

GX22-0041-06

