

OS/390



MVS Programming: Writing Servers for APPC/MVS

OS/390



MVS Programming: Writing Servers for APPC/MVS

Note

Before using this information and the product it supports, be sure to read the general information under "Notices" on page ix.

Fourth Edition, September 1998

This is a major revision of GC28-1774-02.

This edition applies to Version 2 Release 6 of OS/390 (5647-A01) and to all subsequent releases and modifications until otherwise indicated in new editions.

Order publications through your IBM representative or the IBM branch office serving your locality. Publications are not stocked at the address below.

IBM welcomes your comments. A form for readers' comments may be provided at the back of this publication, or you may address your comments to the following address:

International Business Machines Corporation
Department 55JA, Mail Station P384
522 South Road
Poughkeepsie, NY 12601-5400
United States of America

FAX (United States & Canada): 1+914+432-9405

FAX (Other Countries):

Your International Access Code +1+914+432-9405

IBMLink (United States customers only): IBMUSM10(MHVRCFS)

IBM Mail Exchange: USIB6TC9 at IBMMAIL

Internet e-mail: mhvrcfs@us.ibm.com

World Wide Web: <http://www.s390.ibm.com/os390>

If you would like a reply, be sure to include your name, address, telephone number, or FAX number.

Make sure to include the following in your comment or note:

- Title and order number of this book
- Page number or topic related to your comment

When you send information to IBM, you grant IBM a nonexclusive right to use or distribute the information in any way it believes appropriate without incurring any obligation to you.

© Copyright International Business Machines Corporation 1993, 1998. All rights reserved.

US Government Users Restricted Rights – Use, duplication or disclosure restricted by GSA ADP Schedule Contract with IBM Corp.

Contents

Figures	vii
Notices	ix
Programming Interface Information	ix
Trademarks	x
About This Book	xi
Who Should Use This Book	xi
How to Use This Book	xi
Where to Find More Information	xii
Elements and Features in OS/390	xii
Summary of Changes	xiii
Chapter 1. Introduction	1-1
Distributed Applications	1-1
The Client/Server Model	1-1
Overview	1-3
APPC/MVS Server Facilities	1-3
The Allocate Queue	1-4
Creating an Allocate Queue	1-4
Server Initialization	1-7
Special Considerations for Authorized Servers	1-8
Related System Functions	1-8
What the Application Programmer Provides	1-9
What Your Installation Can Provide	1-9
Chapter 2. Using Allocate Queue Services	2-1
Using the Services Asynchronously	2-2
Using JES Services	2-2
The Basic Server Functions	2-2
Creating An APPC/MVS Server	2-2
Receiving Inbound Conversations	2-6
Unregistering For Allocate Requests	2-10
Using Multiple Servers	2-11
Advanced Server Functions	2-12
Querying the Allocate Queue	2-13
Receiving Notification of Events	2-13
Allowing the Allocate Queue to Persist	2-22
Multi-Tasking Servers	2-23
Model One — Empowerment	2-23
Model Two — Management-Directed	2-24
Model Three — Unmanaged	2-24
General Considerations for Multi-Tasking Servers	2-25
Managing Protected Conversations	2-26
Accounting for Server Usage	2-26
Tracking Server-Specific Resources through SMF	2-26
Adding User Data to Accounting Records	2-26
Performance Considerations for Allocate Queue Services	2-27
Installing APPC/MVS Servers	2-27
Diagnosing Problems with APPC/MVS Servers	2-28
Chapter 3. Invocation Details for Allocate Queue Services	3-1

Interface Definition Files (IDFs)	3-1
Syntax and Linkage Conventions for Allocate Queue Services	3-1
Parameter Description for Allocate Queue Services	3-2
Required Modules	3-3
Versions of Callable Services	3-4
Interface Definition Files (IDFs) for APPC/MVS Services	3-4
Chapter 4. APPC/MVS Allocate Queue Services	4-1
Get_Event	4-1
Environment for Get_Event	4-1
Restrictions	4-1
Input Register Information	4-1
Output Register Information	4-2
Syntax Format for Get_Event	4-2
Parameters for Get_Event	4-2
Abend Codes for Get_Event.	4-6
Query_Allocate_Queue	4-6
Environment for Query_Allocate_Queue	4-6
Restrictions	4-7
Input Register Information	4-7
Output Register Information	4-7
Syntax Format for Query_Allocate_Queue	4-8
Parameters for Query_Allocate_Queue.	4-8
Abend Codes for Query_Allocate_Queue	4-11
Receive_Allocate	4-11
Environment for Receive_Allocate	4-11
Restrictions	4-11
Input Register Information	4-12
Output Register Information	4-12
Syntax Format for Receive_Allocate	4-12
Parameters for Receive_Allocate	4-13
Abend Codes for Receive_Allocate.	4-17
Register_for_Allocates	4-18
Environment for Register_For_Allocates	4-18
Restrictions	4-18
Input Register Information	4-18
Output Register Information	4-19
Syntax Format for Register_For_Allocates	4-19
Parameters for Register_For_Allocates	4-19
Abend Codes for Register_For_Allocates	4-25
Set_Allocate_Queue_Attributes	4-25
Environment for Set_Allocate_Queue_Attributes	4-25
Restrictions	4-25
Input Register Information	4-25
Output Register Information	4-26
Syntax Format for Set_Allocate_Queue_Attributes	4-26
Parameters for Set_Allocate_Queue_Attributes	4-26
Abend Codes for Set_Allocate_Queue_Attributes	4-28
Set_Allocate_Queue_Notification	4-29
Environment for Set_Allocate_Queue_Notification	4-29
Restrictions	4-29
Input Register Information	4-29
Output Register Information	4-29
Syntax Format for Set_Allocate_Queue_Notification	4-30
Parameters for Set_Allocate_Queue_Notification.	4-30
Abend Codes for Set_Allocate_Queue_Notification	4-33

Unregister_For_Allocates	4-34
Environment for Unregister_For_Allocates	4-34
Restrictions	4-34
Input Register Information	4-34
Output Register Information	4-35
Syntax Format for Unregister_For_Allocates	4-35
Parameters for Unregister_For_Allocates	4-35
Abend Codes for Unregister_For_Allocates.	4-37
Appendix A. Character Sets	A-1
Appendix B. Explanation of Return and Reason Codes	B-1
Return Codes	B-1
Reason Codes	B-2
Symptom Records for APPC Service Failures	B-5
Appendix C. Sample APPC/MVS Server	C-1
Appendix D. Sample Client Program.	D-1
Appendix E. Sample Error Routine and Header File	E-1
Header File	E-2
	F-1
Index	X-1
Readers' Comments — We'd Like to Hear from You.	X-5

Figures

I	1-1.	The Client/Server Computing Environment	1-2
	1-2.	APPC/MVS Inbound Processing	1-5
	1-3.	Flow of Inbound Conversations to a Server Address Space	1-7
	2-1.	Flow of Inbound Conversations to Multiple Server Address Spaces	2-12
	2-2.	Relationship Between Allocate Queue and Event Queue	2-15
	2-3.	Maximum Threshold Reached	2-17
	2-4.	Minimum Threshold Reached	2-18
	2-5.	Example of a Multi-tasking Server Address Space	2-24
	4-1.	Syntax for Get_Event	4-2
	4-2.	Syntax for Query_Allocate_Queue	4-8
	4-3.	Syntax for Receive_Allocate	4-13
	4-4.	Syntax for Register_For_Allocates	4-19
	4-5.	Syntax for Set_Allocate_Queue_Attributes	4-26
	4-6.	Syntax for Set_Allocate_Queue_Notification	4-30
	4-7.	Syntax for Unregister_For_Allocates	4-35

Notices

References in this publication to IBM products, programs or services do not imply that IBM intends to make these available in all countries in which IBM operates. Any reference to an IBM product, program, or service is not intended to state or imply that only IBM's product, program, or service may be used. Any functionally equivalent product, program, or service that does not infringe any of IBM's intellectual property rights may be used instead of the IBM product, program, or service. Evaluation and verification of operation in conjunction with other products, programs, or services except those expressly designated by IBM, are the user's responsibility.

IBM may have patents or pending patent applications covering subject matter in this document. The furnishing of this document does not give you any license to these patents. You can send license inquiries, in writing, to:

IBM Director of Licensing
IBM Corporation
500 Columbus Avenue
Thornwood, New York 10594
USA

Licensees of this program who wish to have information about it for the purpose of enabling: (i) the exchange of information between independently created programs and other programs (including this one) and (ii) the mutual use of the information which has been exchanged, should contact:

IBM Corporation
Mail Station P300
522 South Road
Poughkeepsie, NY 12601-5400
USA
Attention: Information Request

Such information may be available, subject to appropriate terms and conditions, including in some cases, payment of a fee.

Any pointers in this publication to non-IBM Web sites are provided for convenience only and do not in any manner serve as an endorsement of these web sites. IBM accepts no responsibility for the content or use of non-IBM Web sites specifically mentioned in this publication or accessed through an IBM Web site that is mentioned in this publication.

Programming Interface Information

This book is intended to help the customer to design and write APPC/MVS servers. This book documents General-use Programming Interface and Associated Guidance Information provided by OS/390.

General-use programming interfaces allow the customer to write programs that obtain the services of OS/390.

Trademarks

The following terms are trademarks of the IBM Corporation in the United States or other countries or both:

- AIX
- AS/400
- CICS
- C/370
- IBM
- IBMLink
- IMS
- MVS
- MVS/ESA
- OS/2
- OS/390
- OS/400
- RACF
- VM/ESA
- VTAM

UNIX is a registered trademark in the United States and other countries licensed exclusively through X/Open Company Limited.

Windows is a registered trademark of Microsoft Corporation.

Other company, product and service names may be the trademarks or service marks of others.

About This Book

APPC/MVS is an implementation of IBM's Advanced Program-to-Program Communication (APPC) in the MVS operating system. APPC/MVS allows MVS application programs to communicate on a peer-to-peer basis with other application programs on the same OS/390 system, different OS/390 systems, or different operating systems (including Microsoft Windows®, Sun Solaris, AIX, OS/400, OS/2, and VM in an SNA network). These communicating programs, known as *transaction programs* (TPs) and *servers*, together form cooperative processing applications that can exploit the strengths of different computer architectures. This book tells how to design and write APPC servers to run on MVS. A companion book, *OS/390 MVS Writing TPs for APPC/MVS*, tells how to design and write APPC/MVS transaction programs.

In this book, the term *APPC/MVS transaction program* refers to a program, running in an MVS address space, that uses APPC/MVS services. The term *transaction* is not restricted to programs scheduled by the APPC/MVS transaction scheduler, or to programs using APPC/MVS services.

In this book, the term *APPC/MVS server* refers to a specific type of transaction program; one that can manage multiple inbound LU 6.2 conversations from multiple client transaction programs, serially or concurrently. The client programs may be running on the same system or on other systems in the SNA network (such as an OS/2 system running on a workstation).

Note that APPC/MVS transaction programs and servers are parts of cooperative processing applications and are distinct from, but coexistent and compatible with, CICS and IMS transaction processing applications.

This book is a companion to *OS/390 MVS Writing TPs for APPC/MVS*, which describes callable services that are available to both APPC/MVS transaction programs and servers. This book describes the callable services that are useful only to APPC/MVS servers. Servers use these services to establish and manage one or more queues of inbound allocate requests from the installation's transaction programs. These queues are referred to as **allocate queues**. The services used to create and manage allocate queues are known as **allocate queue services**.

Who Should Use This Book

This book is written for application programmers who use APPC/MVS application programming interfaces (APIs) to design and code applications. The book assumes the user understands the basic concepts of APPC/MVS, and can code in one or more high-level languages (HLLs) that support APPC/MVS servers. For a list of the HLLs that can be used to code APPC/MVS servers, see Table 3-1 on page 3-1.

How to Use This Book

This book is one of the set of programming books for MVS. This set describes how to write programs in assembler language or high-level languages, such as C, FORTRAN, and COBOL. For more information about the content of this set of books, see *OS/390 Information Roadmap*.

Where to Find More Information

Where necessary, this book references information in other books, using the shortened version of the book title. For complete titles and order numbers of the books for all products that are part of OS/390, see *OS/390 Information Roadmap*. The following table lists the titles and order numbers of books for other IBM products.

Short Title Used in This Book	Title	Order Number
<i>AS/400 APPC Programmer's Guide</i>	<i>AS/400 Communications: Advanced Program-to-Program Communication Programmer's Guide</i>	SC41-8189
<i>CPI-C Reference</i>	<i>Common Programming Interface Communications Reference</i>	SC26-4399
<i>OS/2 APPC Programming Guide and Reference</i>	<i>OS/2 APPC Programming Guide and Reference</i>	SC31-6160
<i>SNA Formats</i>	<i>SNA Formats</i>	GA27-3136
<i>SNA Transaction Programmer's Reference Manual for LU 6.2</i>	<i>SNA Transaction Programmer's Reference Manual for LU 6.2</i>	SC31-6808
<i>SNA Technical Overview</i>	<i>SNA Technical Overview</i>	GC30-3073
<i>VM/ESA CP Programming Services</i>	<i>VM/ESA CP Programming Services</i>	SC24-5520

Elements and Features in OS/390

This book refers to several IBM products that are now elements or features of OS/390. See *OS/390 Planning for Installation* for more information about OS/390 elements or features, including the name and level of each product on which an OS/390 element or feature is based, the OS/390 name of the element or feature, and whether it is part of the base or optional.

Summary of Changes

Summary of Changes for GC28-1774-03 OS/390 Version 2 Release 6

This book contains information previously presented in GC28-1774-02, which supports OS/390 Releases 4 and 5.

This book includes terminology, maintenance, and editorial changes. Technical changes or additions to the text and illustrations are indicated by a vertical line to the left of the change.

Summary of Changes for GC28-1774-02 OS/390 Version 2 Release 4

This book contains information previously presented in GC28-1774-01, which supports OS/390 Release 3.

This book includes terminology, maintenance, and editorial changes. Technical changes or additions to the text and illustrations are indicated by a vertical line to the left of the change.

Summary of Changes for GC28-1774-01 as Updated June, 1997 online only for SK2T-6700-05

The following changes appear only in the online version of this publication.

New Information

- In “Chapter 1. Introduction” on page 1-1, the list of special considerations for authorized servers includes registering as a resource manager of protected conversations.
- In Chapter 2. Using Allocate Queue Services, the list of general considerations for multi-tasking servers includes handling protected conversations.
- “Appendix B. Explanation of Return and Reason Codes” on page B-1 describes two new reason codes for return code 16. These reason codes, 44 and 45, indicate error conditions related to a server’s processing of protected conversations.

Changed Information

In “Receive_Allocate” on page 4-11:

- The Sync_level parameter description has been updated to include the value 2, which represents a conversation synchronization level of syncpt. An allocate queue request with this value represents a protected conversation.
- The table of return codes from the Receive_Allocate service has been updated with two new reason codes (44 and 45) for return code 16.

A pair of vertical dots (:) in the left margin indicates changes to the text and illustrations.

This revision also reflects the deletion, addition, or modification of information to support miscellaneous maintenance items.

**Summary of Changes
for GC28-1774-01
OS/390 Release 3**

This book contains information previously presented in GC28-1774-00, which supports OS/390 Releases 1 and 2.

The following summarizes the changes to that information.

New Information

- In “Chapter 1. Introduction” on page 1-1, the new application programming interface (API) trace facility is listed in related system functions that APPC/MVS provides for servers.
- In “Chapter 2. Using Allocate Queue Services” on page 2-1:
 - “For Which Local LUs Can a Server Register?” on page 2-5 includes additional considerations about using a VTAM generic resource name for local or partner LUs.
 - A new section, “Diagnosing Problems with APPC/MVS Servers” on page 2-28, introduces the API tracing facility.

Changed Information

- In “Appendix B. Explanation of Return and Reason Codes” on page B-1, the description of reason code 12 for return code 16 now includes the second possible cause of an unsuccessful Register_For_Allocates request: a VTAM generic resource name was specified for local LU name, either on the Register_For_Allocates call or in a side information entry.
- Throughout this book, the term “fully qualified name” has been changed to “network-qualified name”, for consistency with the term used in VTAM information.
- Where appropriate, references to SYS1.PARMLIB have been changed to “parmlib” or “parmlib concatenation”. For more information about the parmlib concatenation, see *OS/390 MVS Initialization and Tuning Reference*.

This book includes terminology, maintenance, and editorial changes. Technical changes or additions to the text and illustrations are indicated by a vertical line to the left of the change.

**Summary of Changes
for GC28-1774-00
OS/390 Release 1**

This book contains information previously presented in *MVS/ESA Programming: Writing Servers for APPC/MVS* GC28-1472, which supports MVS/ESA System Product Version 5.

This book includes terminology, maintenance, and editorial changes.

Chapter 1. Introduction

Objective

This chapter is intended to help users decide whether writing an APPC/MVS server is the best solution to meeting a particular goal.

Distributed Applications

In a distributed processing environment, a programmer is free to use the strengths of different operating systems to meet the particular needs of the installation. In the past, programmers were forced to accept whatever unique limitations existed for the particular operating system for which they developed applications. Creativity, as a result, was hampered.

APPC supports distributed processing across PC, midrange, and mainframe operating systems. Using APPC, programmers can write applications that take advantage of the different strengths of each operating system. Such applications are called *distributed applications*.

For example, an application that formerly ran to completion entirely on a mainframe computer, can now be divided so that one part remains on the mainframe and the other part runs on a workstation. The application writer can then take advantage of the workstation's graphical user interface and the mainframe computer's number-crunching and database processing capabilities.

For distributed processing to work, the programs running on different operating systems must be able to communicate with each other effectively. APPC makes it possible for programs running on different operating systems to "speak the same language." Operating systems such as OS/390, OS/400, OS/2, and VM have a common set of communication services. Programs that reside on these operating systems can use the services (or verbs), to "converse" with each other across a SNA network.

Applications "connect" to the SNA network through one or more logical units (LUs) installed on the operating system. To fully participate in conversations across a SNA network, applications require a specific type of LU known as LU 6.2. With LU 6.2, the operating system is said to support APPC (Advanced Program-to-Program Communications).

The Client/Server Model

The term "client/server" describes a type of distributed processing in which an application is divided into two parts, each possibly residing on separate operating systems, but working together to provide a service to the end user. As shown in Figure 1-1 on page 1-2, one part of the application, the client, typically resides on a workstation and requests a service for the end-user. The other part of the application, the server, usually resides on a larger machine, such as a mainframe computer. The server program uses the resources of the mainframe computer to perform services requested by each client.

Introduction

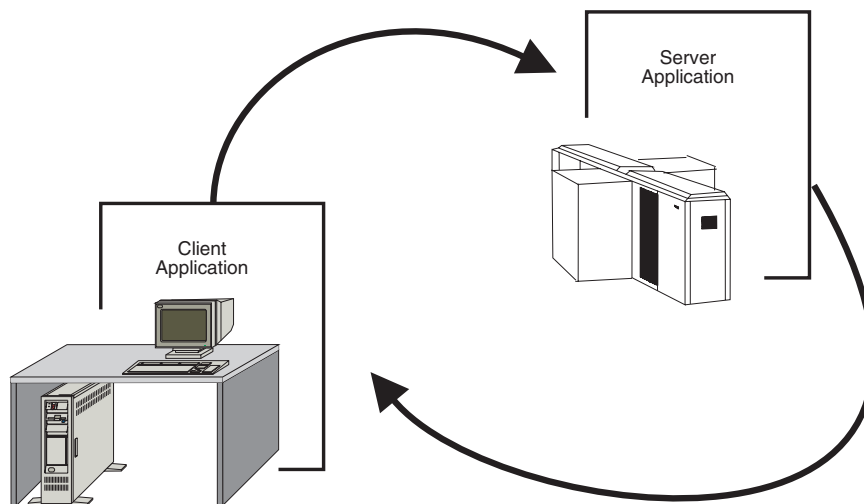


Figure 1-1. The Client/Server Computing Environment

| Depending on how it is designed, a server can process requests from multiple
| clients concurrently. Generally, there is one server for many clients.

| The client is usually the part of the application that is “seen” by the end-user.
| Therefore, the client half of a client/server application most often resides on a
| workstation, where the end-user can interact with the application through the
| workstation operating system’s graphical user interface.

| Servers, on the other hand, are usually transparent to the end-user. That is, the
| person who sits at the workstation only perceives the client half of the application,
| the part that displays the information (though it was actually retrieved by a remote
| server). Because there is only one server for a given set of clients, servers provide
| an ideal way of managing shared access to system resources, such as data sets.
| For this reason, servers are likely to reside on larger machines such as OS/390
| mainframe computers.

| Usually, the same person writes both the client and server parts of a client/server
| application.

| This book explains how to write servers for an APPC/MVS environment. These
| servers can be written to serve client programs (also called **client transaction
| programs**, or **client TPs**).

| For information about writing client programs to interact with APPC/MVS servers,
| see the appropriate programming manual for the particular operating system on
| which the client program will reside.

If you are writing an APPC application that combines OS/390 servers with client transaction programs on other IBM operating systems, see the appropriate books for corresponding APPC information:

- *OS/2 APPC Programming Guide and Reference*
- *VM/ESA CP Programming Services*
- *AS/400 APPC Programmer's Guide*
- *OS/390 MVS Writing TPs for APPC/MVS*

Overview

Reference

Before you continue, you should be familiar with the basic concepts of APPC/MVS and the programming interfaces it provides. Part 1, "Introduction" of *OS/390 MVS Writing TPs for APPC/MVS* provides such information.

APPC/MVS Server Facilities

With the addition of APPC/MVS server facilities in MVS/ESA SP 4.3, MVS/ESA strengthens its support for the client/server model of programming. APPC/MVS server facilities provide installations with the high-level-language callable services needed to write APPC/MVS servers (MVS-resident programs that can manage multiple LU 6.2 inbound conversations from multiple client TPs concurrently).

As of MVS/ESA SP 4.2, MVS/ESA provides scheduling support for LU 6.2 conversations between partner transaction programs. Inbound transaction program requests are scheduled for execution by the APPC/MVS transaction scheduler. (The installation can also supply its own transaction scheduler, if desired.) The APPC/MVS transaction scheduler provides two types of scheduling for transaction programs — standard and multi-trans. In both cases, the transaction scheduler processes inbound requests by running each requested transaction program in a subordinate address space called an initiator. While multi-trans scheduling provides better performance for frequently accessed transaction programs, both scheduling types are limited; no more than one inbound conversation can run in an initiator address space at a time.

APPC/MVS server facilities provide another way to process LU 6.2 inbound transaction program requests. Address spaces (started tasks, batch initiators, TSO/E users, or APPC/MVS initiators) can directly receive specific inbound requests, instead of requiring the transaction scheduler to process them. And, unlike scheduled TPs, these address spaces can receive multiple inbound conversations concurrently.

Resource Management

Installations can use APPC/MVS servers to perform global functions on behalf of users. An installation can centralize, within a single server address space, many of the requests for resources commonly made during transaction processing. For example, servers can be used to manage access to MVS resources, such as data sets and data bases.

APPC/MVS servers thus present an ideal solution for consolidating some of the redundant processing that normally occurs when transaction programs must access the same resources on MVS.

Introduction

Owning Inbound Conversations

APPC/MVS server facilities provide a set of high-level language callable services that allows a server application to “own” and thereafter manage a subset of the transaction program requests that enter an APPC/MVS system. A server owns inbound allocate requests by *registering* for them. Thereafter, APPC/MVS monitors the allocate requests that enter the system for those requests for which a server has registered. Rather than routing such requests to a transaction scheduler, APPC/MVS places the requests on a queue to await further processing by the APPC/MVS server. These queues are called **allocate queues**. APPC/MVS servers process allocate requests by receiving them from allocate queues and performing the function requested by the client TP. The services that allow servers to create and manage allocate queues are called **allocate queue services**.

APPC/MVS directs inbound allocate requests for which no server has registered to an APPC/MVS transaction scheduler.

In previous releases of MVS, applications needed to use the APPC/MVS transaction scheduler services to receive multiple inbound conversations concurrently. Now, many of the same applications can be written as APPC/MVS servers, which offer the following advantages over transaction schedulers:

- Servers are easier to code.
- Servers need not run authorized. That is, servers can run in problem state, with PSW key 8-15.
- Servers can run in any MVS address space (started tasks, batch initiators, TSO/E users, or APPC/MVS initiators) except a transaction scheduler address space.
- Servers can select a desired subset of the inbound conversations from a particular LU. (The transaction scheduler interface requires the caller to own an LU—and all of its inbound conversations—exclusively.)

The Allocate Queue

APPC/MVS servers might best be thought of as “managers” of one or more allocate queues. Therefore, the concept of the allocate queue is central to understanding how to use APPC/MVS servers.

This discussion covers the following topics:

- “Creating an Allocate Queue”
- “APPC/MVS Inbound Processing” on page 1-5
- “Server Processing: An Overview” on page 1-6
- “Request Flow” on page 1-6
- “Managing Allocate Queues” on page 1-7.

Creating an Allocate Queue

An MVS application can receive inbound LU 6.2 conversations directly (rather than through a transaction scheduler) by requesting the conversations through a process called *registering*. When it registers, the server application specifies, through the Register_For_Allocates service, which allocate requests it is to serve. Specifically, the server specifies the name of the local TP to which the client TP issues the allocate request, and the name of the LU that is targeted by the allocate request. An application that has successfully registered for allocate requests is considered to be an APPC/MVS server.

APPC/MVS places inbound allocate requests for which a server has registered on a structure called an allocate queue, on a first-in, first-out (FIFO) basis. APPC/MVS creates the allocate queue at the completion of the server's registration. APPC/MVS creates a separate allocate queue for every unique server registration. The server selects allocate requests from the allocate queue for subsequent processing.

A server can register for all the TP/LU pairs it has RACF authority to serve. Your installation's security administrator grants this authority through the APPCSERV general resource class of RACF (or a functionally equivalent security product).

APPC/MVS Inbound Processing

When a server application registers for allocate requests, it assumes a subset of the inbound workload that would otherwise be routed to a transaction scheduler. The server application is responsible for processing the allocate requests for which it has registered.

Figure 1-2 illustrates inbound processing.

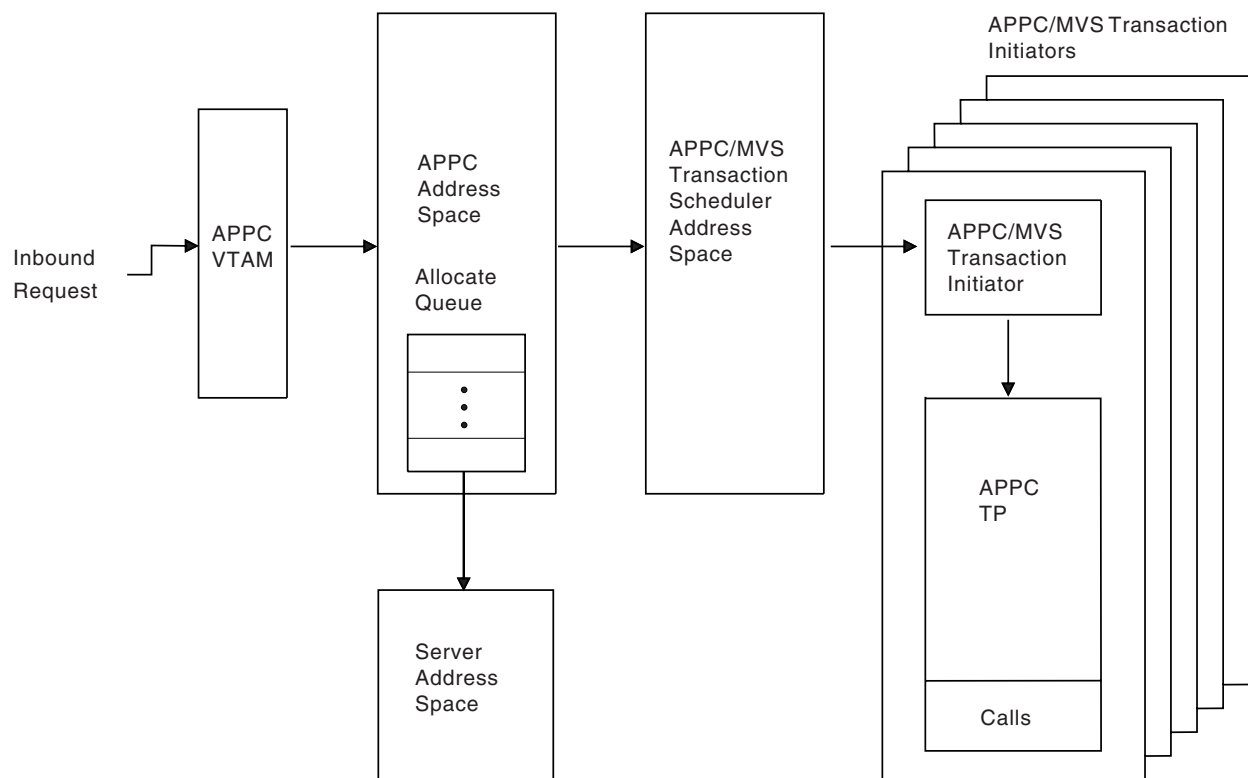


Figure 1-2. APPC/MVS Inbound Processing

In Figure 1-2, an inbound allocate request enters the system. APPC/MVS first checks to see whether any address spaces on the system had previously registered to serve the request. If so, APPC/MVS places the request on an allocate queue from which the server can later select it for processing. When the server selects the request from the allocate queue (through the `Receive_Allocate` service), the server receives the conversation ID of the conversation. A conversation with the issuer of the request (the client TP), can then take place.

In general, if no servers have registered for the request, APPC/MVS attempts to schedule the request to a transaction scheduler for subsequent processing.

Introduction

For information about APPC/MVS scheduling, see *OS/390 MVS Planning: APPC/MVS Management*.

Server Processing: An Overview

The following list presents an overview of the main steps that servers follow when processing inbound conversations. Later chapters of this book provide the details for performing these steps.

1. Becoming a server —

An application becomes an APPC/MVS server when it registers to serve inbound allocate requests (through the Register_For_Allocates service). When the server's Register_For_Allocates call completes successfully, APPC/MVS begins placing inbound allocate requests that arrive for the server in an allocate queue.

The primary parameter returned from Register_For_Allocates is the allocate queue token, which uniquely identifies the queue from which the server will select requests.

2. Serving requests —

To obtain an allocate request from an allocate queue, a server calls the Receive_Allocate service, and supplies the allocate queue token it received at the completion of its call to the Register_For_Allocates service.

The Receive_Allocate service returns to the server the conversation ID of the conversation just received. The server uses the conversation ID to hold APPC communications with the client TP. Both client and server can use the existing CPI-C or MVS specific conversation services described in *OS/390 MVS Writing TPs for APPC/MVS*, such as Send_Data or Receive_and_Wait.

3. End processing —

To stop serving allocate requests, a server calls the Unregister_For_Allocates service.

Request Flow

Figure 1-3 on page 1-7 shows the general flow of inbound allocate requests to a server address space. In the figure, a server has registered to receive the allocate requests that arrive at LUA for TPA. APPC/MVS places these requests on an allocate queue to await retrieval by the server. To retrieve an allocate request, the server calls the Receive_Allocate service. The Receive_Allocate service provides the server with the conversation ID, which the server uses to communicate with the client TP that issued the allocate request.

Presumably, during the conversation, the server provides a service to the client TP, such as searching data that the server controls, and returning data to the client TP. At the completion of its processing, the server might determine that it will stop serving inbound conversations. At this point, the server calls the Unregister_For_Allocates service.

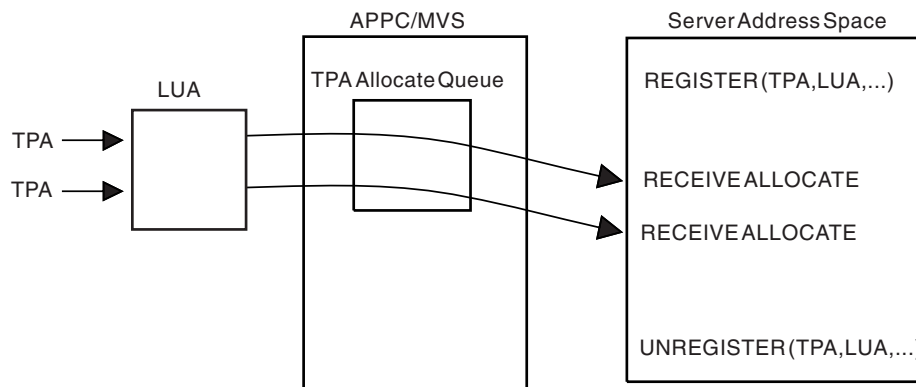


Figure 1-3. Flow of Inbound Conversations to a Server Address Space

While this book also describes callable services that provide more advanced functions, “basic” servers require only the services that are shown in Figure 1-3. (For information about using these services, see “The Basic Server Functions” on page 2-2.)

Managing Allocate Queues

Servers can use APPC/MVS callable services to manage their allocate queues. For example:

- Use the Set_Allocate_Queue_Notification and Get_Event services to be notified when an allocate queue reaches a specified number of allocate requests.
- Use the Query_Allocate_Queue service to obtain commonly needed information about the status of an allocate queue, such as the number of allocate requests waiting to be processed.
- Use the Set_Allocate_Queue_Attributes service to have APPC/MVS preserve the allocate queue during interruptions in server processing.

For information about using the APPC/MVS callable services needed to perform these functions, see “Advanced Server Functions” on page 2-12.

Server Initialization

APPC/MVS servers can be initialized in any of the following ways:

- Operator START command (if the server runs as a started task). Here, you must define the server as a started procedure in PROCLIB. Your installation’s security administrator can assign user IDs to started servers by modifying the RACF started procedures table (see “Installing APPC/MVS Servers” on page 2-27).
- TSO/E LOGON command (if the server is a TSO/E address space). Here, you can define the server as a command list (CLIST) or REXX exec.
- Batch initiator (if the server is submitted as a batch job). Here, you must provide the JCL needed to run the server.
- APPC/MVS initiator (if the server is scheduled by the APPC/MVS transaction scheduler in response to an inbound allocate request). For information, see the section that follows.

Starting Servers With APPC/MVS: A server can run in an address space under the control of the APPC/MVS scheduler, but, to avoid potential confusion, schedule the server by a TP name different from any TP names it serves. Having a server

Introduction

scheduled with a TP name, and allowing it to register for the same TP name, is acceptable if the server can guarantee that only one request for the TP name has been routed to the scheduler before its call to the Register_For_Allocates service completes successfully.

Otherwise, it is possible for the situation to arise where two or more transaction program requests of the same name are served and scheduled. (If many TP requests enter the system simultaneously, APPC/MVS attempts to schedule them. If one of the scheduled TPs registers for the same TP name, later requests for that same TP name are served).

Special Considerations for Authorized Servers

You might decide that your server should run as an authorized program. The primary advantage of authorized servers is that they can use authorized callable services and macros.

Additional reasons for having your server run authorized include:

- Using authorized RACF macros to tailor security environments for individual users.

Multiple user requests of various security levels might run in the same server address space. These users all run under the server's security environment. Authorized servers, however, can create customized security environments to match the security access defined to individual users (through the RACROUTE REQUEST=VERIFY macro, for example).

- Joining the APPC XCF group to receive information that is otherwise available only to transaction schedulers.

Servers must be authorized to join the APPC XCF group. As a member of this group, the server could receive APPC information, or information about an LU with which the server is associated. For example:

- LU messages
- "APPC ACTIVE/INACTIVE" status messages
- Installation-determined data specified through the USERVAR and ALTLU keywords in the APPCPMxx member of the parmlib concatenation.

Note that servers running as members of the APPC XCF group are more difficult to write. You must, for example, also provide an XCF message user routine that runs in SRB mode.

For information about the APPC XCF group, and writing message user routines, see *OS/390 MVS Writing Transaction Schedulers for APPC/MVS*.

Related System Functions

In addition to allocate queue callable services, APPC/MVS also provides the following related support for APPC/MVS servers:

- The NOSCHED option in the APPCPMxx member of the parmlib concatenation allows the installation to define LUs that are not owned by transaction schedulers (NOSCHED LUs). For APPC/MVS servers, NOSCHED LUs allow the installation to separate the workload processed by APPC/MVS servers from that done by transaction schedulers. Installations can also use NOSCHED LUs to flow outbound allocate requests without having a transaction scheduler active.
- RACF general resource class, APPCSERV, allows the installation to control which user IDs can become APPC/MVS servers.

- SMF type 33, subtype 2 records provide accounting information for each APPC conversation in an address space.
- APPC/MVS servers can specify symbolic destination names (in the SIDEINFO data set) when registering to receive inbound conversations. In previous releases of MVS/ESA, symbolic destination names could only be used for allocating outbound conversations.
- The DISPLAY APPC command provides status information (through system messages) about APPC/MVS servers and their associated allocate queues.
- CTRACE and IPCS capabilities, symptom records, and the application programming interface (API) trace facility, for diagnosing problems with APPC/MVS servers.

What the Application Programmer Provides

You are responsible for providing many of the functions your server might need, such as:

- Performing the function the client TP requested.
- Load balancing, if desired (through multi-tasking).
- Serializing access to resources, such as data sets or control blocks.
- Security checking of requestor user IDs, if desired. (The server must be authorized to do this.)
- Providing recovery from its abends.
- Starting and stopping servers.

What Your Installation Can Provide

Your installation can define one or more NOSCHED logical units (LUs) to support APPC/MVS servers. NOSCHED LUs are not “owned” by transaction schedulers and can be used to separate servers from transaction schedulers. An installation might want to isolate servers to better monitor their performance (through the DISPLAY APPC,LU command). For more information about NOSCHED LUs, see *OS/390 MVS Planning: APPC/MVS Management*.

Chapter 2. Using Allocate Queue Services

Objective

This chapter provides the conceptual information you need to use APPC/MVS allocate queue callable services.

For specific information about coding the parameters on these services, see Chapter 4. APPC/MVS Allocate Queue Services.

In the discussion that follows, the APPC/MVS allocate queue callable services are organized, based on complexity, into two groups: basic and advanced.

The basic functions allow MVS applications to serve inbound allocate requests. These functions are used to create, serve, and delete allocate queues. The allocate queue services that provide the basic functions are:

- Register_For_Allocates (ATBRFA2) — Register for inbound allocate requests.
- Receive_Allocate (ATBRAL2) — Request an inbound conversation for processing.
- Unregister_For_Allocates (ATBURA2) — Unregister for inbound allocate requests.

These services are described in “The Basic Server Functions” on page 2-2.

APPC/MVS servers use the advanced functions to manage the allocate queues for which the servers are registered. Servers could, for example, use advanced functions to aid in performing load balancing. The allocate queue services that provide the advanced functions are:

- Set_Allocate_Queue_Notification (ATBSAN2) — Request to be notified when an allocate queue reaches a specified maximum or minimum number of allocate requests (or cancel a previous request for such notification).
- Get_Event (ATBGTE2) — Obtain notification of events that was previously requested through the Set_Allocate_Queue_Notification service.
- Query_Allocate_Queue (ATBQAQ2) — Obtain commonly needed information about the status of an allocate queue, such as the number of allocate requests that currently reside on the queue.
- Set_Allocate_Queue_Attributes (ATBSAQ2) — Have APPC/MVS preserve a particular allocate queue during periods of time when no servers are registered for the queue.

These services are described in “Advanced Server Functions” on page 2-12.

Coded Example

This book concludes with a coded example of an APPC client/server application (written in the C programming language), in three parts:

- “Appendix C. Sample APPC/MVS Server” on page C-1
- “Appendix D. Sample Client Program” on page D-1
- “Appendix E. Sample Error Routine and Header File” on page E-1.

Using the Services Asynchronously

You can use allocate queue services *asynchronously* by specifying the address of an event control block (ECB) on the `notify_type` parameter. If APPC/MVS accepts the request for asynchronous processing, it sets a return code of zero for the service. The server can then continue other processing before waiting for the ECB to be posted. When all parameters are returned and the service completes, APPC/MVS notifies the server by posting the ECB.

By contrast, when you call a service *synchronously* (by setting the `notify_type` parameter to a value of *none*), your server loses control until the service completes. Your server regains control when APPC/MVS completes the request, and passes return and reason codes, and any other returned parameters from the service.

When you specify an ECB on the `notify_type` parameter, you must clear the ECB to zero and meet all requirements for the `POST` macro. When the system posts the ECB to show that asynchronous processing is complete, the completion code in the ECB is the return code for the service. The system processes all input parameters before returning to the server, so the server is free to use these areas on return without affecting the asynchronous processing. The system accesses and manipulates all output parameters directly by the asynchronous processing, however, and therefore the server should not reference or modify these parameters until the system notifies the server that call processing is complete.

Asynchronous processing is recommended for performance-intensive server applications, such as:

- Servers that perform multi-processing
- Servers that cannot be suspended
- Servers that process multiple conversations in a single dispatchable unit.

Asynchronous processing is available on many TP conversation services. For more information, see *OS/390 MVS Writing TPs for APPC/MVS*.

Using JES Services

APPC/MVS servers can use the same JES SYSOUT and data set integrity checking services available to other MVS applications. Note that any SYSOUT data generated by a server is printed under the server's jobname and user ID (not the user IDs of the server's individual client TPs).

Generally, all JES services used by the server run under the server's user ID.

The Basic Server Functions

This section explains how applications can use allocate queue services to create, serve, and delete allocate queues. For additional reference information for each of the allocate queue services, including syntax and parameter descriptions, see "Chapter 4. APPC/MVS Allocate Queue Services" on page 4-1.

Creating An APPC/MVS Server

An application becomes a server of inbound allocate requests through a process called *registering*. When it registers, the application specifies, through the `Register_For_Allocates` service, the name of the local TP to which the client TP

Using Allocate Queue Services

issues its allocate requests, and the name of the LU that is targeted by the allocate requests. An application that has successfully registered for allocate requests is considered to be an APPC/MVS server.

Normally, APPC/MVS directs inbound allocate requests to a transaction scheduler. When an application registers for allocate requests, it essentially “steals” a subset of the inbound workload that would normally be routed to a transaction scheduler. The server application then becomes responsible for processing the allocate requests for which it has registered. (Note that servers do not share LUs with schedulers, unless the servers are owned by the schedulers. For more information, see “For Which Local LUs Can a Server Register?” on page 2-5.)

Specifying Symbolic Destination Names

On its call to the Register_For_Allocates service, the server application specifies the TP name and local LU name of the inbound allocate requests to be served. The server can specify explicit values for the TP_name and local_LU_name parameters, or it can specify a *symbolic destination name* which resolves to the TP name/local LU name. (Installations define symbolic destination names in the side information data set.) If you specify a symbolic destination name, the local LU name and TP name are obtained from the side information data set (the mode name, which is also contained in the side information, is ignored for calls to the Register_For_Allocates service). The local LU name is taken from the partner LU specified in the symbolic destination entry.

For information about defining symbolic destination names, see *OS/390 MVS Planning: APPC/MVS Management*.

Filtering Requests

When registering for inbound allocate requests, applications can limit their selection of requests by specifying certain “filter” parameters. Applications can limit their registration to the allocate requests for particular TP/local LU pairs *that bear a certain user ID, profile, or partner LU name* — or some combination of these filters.

APPC/MVS creates a separate allocate queue for each unique combination of filters you specify to the Register_For_Allocates service. When multiple servers register for the same TP name/LU name, and specify the same filter values, the servers share the allocate queue that results. If servers register for the same TP name/LU name, but specify different filter values, APPC/MVS creates a different allocate queue for each unique registration.

Specify a blank value for any filter group you do not want to limit. If you specify blanks for all filters, your server can receive allocate requests for the specified TP name and local LU name, regardless of user ID, profile, or partner LU name.

It is possible for one server to register for a subset of the inbound requests that are being served by another server. In this situation, APPC/MVS uses a hierarchy to determine which server is to receive the inbound request.

For example, Server A registers for a particular TP name, and specifies blanks for the filters, to receive all requests for the TP regardless of the client TP’s user ID, profile, or partner LU name. Server B registers for the same TP name, but specifies PAYROLL for the profile filter (and blanks for User ID and partner LU name), to receive only the client TP’s requests from the PAYROLL security profile.

Table 2-1 on page 2-4 shows the order in which APPC/MVS checks for a server for allocate requests:

Using Allocate Queue Services

Table 2-1. Search Order for Filters

Order of Priority	Request is queued for the server that specified the following filters:
1	User ID, profile, and partner LU name
2	User ID and profile
3	User ID and partner LU name
4	User ID
5	Profile and partner LU name
6	Profile
7	Partner LU name
8	No filters were specified (accept any allocate request from the client TP, regardless of filter values).

Applying this hierarchy to our example shows that APPC/MVS places the client TP's allocate requests from security profile PAYROLL on Server B's allocate queue, and places all other requests from the client TP on Server A's allocate queue.

Receiving the Allocate Queue Token

The primary output from a successful Register_For_Allocates call is the *allocate queue token*, which uniquely identifies the allocate queue. Use the allocate queue token to indicate the particular allocate queue from which your server is to receive allocate requests (through the Receive_Allocate service). A server also requires the allocate queue token to perform other types of processing provided by allocate queue services.

Servers that share an allocate queue also share the same allocate queue token. As mentioned previously, multiple servers share an allocate queue by registering for the same TP name/local LU name and filters, if any.

Securing Access to Client TPs

RACF allows you to define APPCSERV RACF security profiles to control servers' access to client TPs. APPCSERV profile names allow the installation to grant or deny servers access to specific TP or LU names.

APPCSERV profile names are of the form *dbtoken.tpname*, where:

- *dbtoken* is the database token (1 to 8 characters) of the TP profile data set. The TP profile dataset is associated with the LU at which the server resides. (This is the LU that your server specifies on the *local_LU_name* parameter of the Register_For_Allocates service.)
- *tpname* is the name of the transaction program to be served.

To register for a particular TP name, the user ID under which the server runs must have been granted READ access to the TP's security profile in the APPCSERV RACF general resource class.

RACF uses the user ID from the server's task-level security environment, or, if the task-level security environment does not exist, RACF uses the user ID associated with the server's address space security environment.

If the TP name is not protected by the APPCSERV class, and the APPCSERV class is active, APPC/MVS fails the request with return code 16 (*atbcts_request_unsuccessful*) and reason code 14 (*atbcts_not_auth_to_serve_tp*).

For the procedure your installation's security administrator could use to set-up security for TPs and servers, see "Installing APPC/MVS Servers" on page 2-27.

For Which Local LUs Can a Server Register?

In some situations, a server cannot specify certain LUs as the local LU on its call to the Register_For_Allocates service. Use Table 2-2 on page 2-6 to determine whether your server can specify a particular local LU.

In Table 2-2, a "yes" or "no" indicates whether a server in the address space in the left column (Column 1) is permitted to specify a particular local LU. If an address space attempts to register for an LU it cannot use, APPC/MVS fails the request with return code 16 (atbcts_request_unsuccessful) and reason code 15 (atbcts_not_auth_to_local_lu).

Column 1 lists different types of address spaces that contain servers attempting to register. The top two entries in column 1 show address spaces that are not "owned by" (connected to) a transaction scheduler. Typical examples of such address spaces are TSO/E address spaces and JES batch initiators. The last four rows of Table 2-2 show address spaces that are owned by transaction schedulers.

Address spaces can also differ depending on whether their conversations can flow through the system base LU (the default LU). Normally, an address space's conversations can use the system base LU. If an address space is to be later connected to a transaction scheduler, however, the scheduler might need to limit the address space's conversations to LUs owned by the scheduler. Here, the scheduler would prohibit the address space from using the system base LU through the Set_AS_Attributes service.

For information about the system base LU, see *OS/390 MVS Planning: APPC/MVS Management*. For information about writing transaction schedulers and using the Set_AS_Attributes service, see *OS/390 MVS Writing Transaction Schedulers for APPC/MVS*.

The columns to the right of Column 1 in Table 2-2 on page 2-6 show the results when servers attempt to register for different types of local LUs. Column 2 shows the results when servers specify NOSCHED LUs when registering. (A NOSCHED LU is an LU that is not associated with a transaction scheduler. Like other LUs, NOSCHED LUs are defined through the LUADD statement in the APPCPMxx member of the parmlib concatenation. For more information about defining NOSCHED LUs, see *OS/390 MVS Initialization and Tuning Reference*.)

Columns 3 and 4 of Table 2-2 on page 2-6 show the results when servers attempt to register for LUs that are owned by different transaction schedulers ("scheduler A" and "scheduler B") that coexist on the same system. The IBM-supplied APPC/MVS transaction scheduler, ASCH, is an example of such a scheduler.

Using Allocate Queue Services

Table 2-2. Local LUs for Which a Server Can Register

The server address space is...	The LU is...		
	...a NOSCHED LU	...owned by Scheduler A	...owned by Scheduler B
...not owned by a scheduler	Yes	No	No
...not owned by a scheduler and "prohibit default LU" is specified	No	No	No
...owned by Scheduler A	Yes	Yes	No
...owned by Scheduler A, with "prohibit default LU" specified	No	Yes	No
...owned by Scheduler B	Yes	No	Yes
...owned by Scheduler B, with "prohibit default LU" specified	No	No	Yes

Additional Considerations for Registering

When using the Register_For_Allocates service, you will need to observe the following conventions and restrictions:

- An address space that calls the Register_For_Allocates service for a TP/local LU takes precedence over a program that specifies the same TP/local LU on a call to the Register_Test service. (The Register_Test service is described in *OS/390 MVS Writing TPs for APPC/MVS*.)
- A transaction scheduler (one that has already called the APPC Identify service) cannot register for allocate requests. If a transaction scheduler calls the Register_For_Allocates service, APPC/MVS fails the request with return code 16 (atbcts_request_unsuccessful) and reason code 10 (atbcts_sched_cant_register).
- An APPC/MVS server cannot use a VTAM generic resource name for a local LU, either explicitly on the Register_For_Allocates service or implicitly through a side information entry. In these cases, the Register_For_Allocates service returns control with return code 16 (atbcts_request_unsuccessful), and reason code 12 (atbcts_inval_local_lu).
- An APPC/MVS server may filter allocate requests by specifying a VTAM generic resource name for the partner LU. If it does so, but the local LU first establishes a conversation with the partner using the partner's specific name, the server will not receive any allocate requests even if APPC/MVS receives requests that exactly match the filters. To avoid this problem, register the server with an APPC/MVS LU that handles outbound conversations using only the generic resource name for the partner LU.

Receiving Inbound Conversations

An allocate queue stores allocate requests in the order which they arrive; that is, in first-in, first-out (FIFO) order. To request an inbound conversation, an APPC/MVS server calls the Receive_Allocate service, which returns the oldest allocate request (inbound conversation) on the specified allocate queue. Specifically, Receive_Allocate returns the conversation ID of the inbound conversation, which allows your server to communicate with the client TP. (Note that APPC/MVS servers use the Receive_Allocate service to receive inbound conversations, instead of the Accept_Conversation or Get_Conversation calls, which are commonly used by scheduled transaction programs.)

Specifying the Allocate Queue Token

To indicate the particular allocate queue from which your server is to receive an allocate request, specify the allocate queue token the server received when it registered. Specify the allocate queue token in the `allocate_queue_token` parameter of the `Receive_Allocate` service.

Allowing the Request to Wait

At times, an allocate queue might not contain an allocate request when your server requests one. To handle this possibility, you can specify that the `Receive_Allocate` service is allowed to wait for an allocate request to become available (through the `receive_allocate_type` parameter).

To specify whether the `Receive_Allocate` request is allowed to wait, and, if so, for how long, set the `receive_allocate_type` parameter to one of the following values:

atbcts_wait

Wait indefinitely for an allocate request to become available.

atbcts_timed

Wait for a specified interval before returning control (this interval is specified, in seconds, in the `time_out_value` parameter).

atbcts_immediate

Do not wait (return control immediately) if an allocate request is not currently available.

Specifying the Timeout Value: You can specify a *timeout value* for your calls to the `Receive_Allocate` service. The timeout value controls the amount of time the `Receive_Allocate` request can wait for an allocate request to become available. If an allocate request becomes available before the timeout value is exceeded, the server receives the allocate request. Otherwise, APPC/MVS returns control to the server with return code 16 (`atbcts_request_unsuccessful`) and reason code 21 (`atbcts_no_alloc_to_receive`).

Have the server specify a timeout value large enough to allow for intervals when there are no allocate requests on the allocate queue, and the server must wait for a new request to arrive.

Used With Notify_Type: To further define how APPC/MVS is to process your request, set the `notify_type` parameter to indicate whether the request is to be processed synchronously or asynchronously. Table 2-3 on page 2-8 shows the effects of specifying the `receive_allocate_type` parameter with the `notify_type` parameter:

Using Allocate Queue Services

Table 2-3. Results of Notify_Type/Receive_Allocate_Type Combinations

Notify_Type Value:	Receive_Allocate_Type Value:		
	<i>atbcts_immediate</i>	<i>atbcts_wait</i>	<i>atbcts_timed</i>
NONE	Control returns to the caller immediately with either an allocate request (if one is available), or a return and reason code that indicates the request failed because no allocate requests are available to be received.	Control does not return to the caller until an allocate request is received.	Control does not return to the caller until an allocate request is received, or the interval specified in the <i>time_out_value</i> parameter is exceeded.
ECB	Control returns to the caller immediately, while APPC/MVS processes the call asynchronously. If an allocate request is available, Receive_Allocate returns the allocate request. Otherwise, the caller receives a return and reason code which indicates that no allocate requests are available to be received.	Control returns to the caller immediately, while APPC/MVS processes the call asynchronously. APPC/MVS posts the caller's ECB when an allocate request is returned.	Control returns to the caller immediately, while APPC/MVS processes the call asynchronously. If an allocate request is available, Receive_Allocate returns the allocate request. Otherwise, Receive_Allocate waits for the interval specified in the <i>time_out_value</i> parameter for an allocate request before posting the ECB.

For both synchronous and asynchronous calls to the Receive_Allocate service, the server is notified when the allocate request arrives, or when the specified timeout value is exceeded.

Receiving the Conversation ID

The primary output from a successful Receive_Allocate call is the conversation ID, which uniquely identifies the conversation that was received. A server uses the conversation ID to communicate with the transaction program that initiated the conversation (the client TP). The conversation ID is required as input to other APPC/MVS callable services, such as the LU 6.2 Send and the CPI-C Receive services. Once a server obtains the conversation ID, communications can proceed between the partner programs (client TP and server) until one partner ends the conversation.

For information about using APPC/MVS TP conversation services, see *OS/390 MVS Writing TPs for APPC/MVS*.

Other Outputs From Receive_Allocate

Besides the conversation ID, the Receive_Allocate service returns the following information about the conversation that was received:

- Conversation mode name and partner LU name
- Conversation type and synchronization level
- User ID and security profile.

Conversation Mode Name/Partner LU Name: The Receive_Allocate service returns the conversation mode name and partner LU name, which define the session in which the conversation is running.

Conversation Type/Synchronization Level: The server can use the returned parameters, conversation type and synchronization level, to determine whether particular conversations conform to expected formats.

Using Allocate Queue Services

User ID/Security Profile: The Receive_Allocate service returns the user ID and security profile associated with the inbound conversation that was received. The server can use this information to perform security-related functions.

If your server is to run authorized (that is, in supervisor state, or with PSW key 0-7), it can use RACF macros to check the security of client user IDs, or create a security environment that is appropriate for the client, if desired. For example:

- Use the RACROUTE macro to examine the security environment of requestors' user IDs, or call the Get_Attributes service to obtain the requestor's user token (UTOKEN).
- Set up separate security environments for users with various security clearances (using the RACROUTE REQUEST=VERIFY macro).

For more information about using the RACROUTE macro, see *OS/390 Security Server External Security Interface (RACROUTE) Macro Reference*.

If your server is to run unauthorized (that is, in problem state, or with PSW key 8-15), your installation can use the APPCTP security class to limit the user IDs that can run certain TPs.

Using the Get_Attributes Service

Your server can extract information about the conversations it is processing, by calling the Get_Attributes service. This service returns information about a particular conversation, such the following:

- Partner LU
- Mode name
- Synchronization level
- Data format (mapped or basic)
- RACF UTOKEN associated with the inbound request.

The server could use this information, for example, to run under different combinations of the above, using conditional logic to function appropriately.

For information about using the Get_Attributes service, see *OS/390 MVS Writing TPs for APPC/MVS*.

Rejecting Conversations

If necessary, your server can reject particular conversations by calling the Reject_Conversation service. A server might reject conversations for reasons such as:

- After issuing Get_Attributes, the server determines that the inbound conversation has attributes the server does not support, such as a different synchronization level or data format.
- The server determines that the output values from the Receive_Allocate service do not match values that the server is designed to expect.
- When the server cannot satisfy inbound requests quickly enough to meet the installation's performance goals. For example, assume a database the server needs to access has become unavailable. In this situation, you might decide that it is better to require users to retry rather than wait for an unacceptably long period.

When rejecting a conversation, your server communicates the reason for the rejection to the client TP by specifying a sense code (as an input parameter to the Reject_Conversation service). The partner LU resolves the sense code to a return code that it passes to the client TP.

Using Allocate Queue Services

The `Reject_Conversation` service must be used early in a transaction; that is, before any communication activity has occurred (such as data being sent or received). Otherwise, APPC/MVS fails the call to the `Reject_Conversation` service. A limited set of services, however, can be used on a conversation without causing the conversation to be rendered ineligible for rejection. These services allow you to obtain the conversation ID, as well as conversation-related information that might help you in making rejection decisions.

Specifically, you can call the following services on a conversation and still retain the ability to reject it:

- `Receive_Allocate`
- `Get_Conversation`
- `Accept_Conversation`
- `Get_Type`
- `Get_Attributes`
- `Extract_Conversation_Type`
- `Extract_Mode_Name`
- `Extract_Sync_Level`
- `Extract_Partner_LU_Name`.

The `Reject_Conversation` service is available to all TPs (including APPC/MVS servers). For more information about using the `Reject_Conversation` service, see *OS/390 MVS Writing TPs for APPC/MVS*.

Unregistering For Allocate Requests

To have your server stop serving one of its allocate queues, or stop serving *all* the allocate queues for which it is registered (to allow for a temporary pause in service, for example), call the `Unregister_For_Allocates` service.

Through the `Unregister_For_Allocates` service, specify either of the following:

- Stop serving a particular allocate queue. Specify as an input the allocate queue token for that allocate queue.
- Stop serving all allocate queues for which the server is registered (in other words, stop being an APPC/MVS server). Here, specify eight bytes of zeroes as input, in place of an allocate queue token.

On successful completion of the `Unregister_For_Allocates` service, the server is no longer registered for one — or all — of its allocate queues. The server cannot serve an allocate queue for which it is no longer registered.

Unregistering from an allocate queue also causes the server's outstanding calls to `Receive_Allocate` for that allocate queue to fail with return code 16 (`atbcts_request_unsuccessful`) and reason code 20 (`atbcts_request_cancelled`).

To resume serving the same allocate queue, the server must re-register for the queue, and specify the same parameter values it specified on its original call to the `Register_For_Allocates` service. (The server receives an allocate queue token, which it uses to resume serving the allocate queue.)

Normally, APPC/MVS purges an allocate queue after the last server of the queue unregisters from it. APPC/MVS rejects the allocate requests that reside on the allocate queue with sense code `X'084C0000'` (`TP_Not_Available_No_Retry`).

You can, however, have APPC/MVS preserve an allocate queue when no servers are available. Here, APPC/MVS maintains the queue for an interval you specify

Using Allocate Queue Services

through the `Set_Allocate_Queue_Attributes` service. During the interval, APPC/MVS continues to place new inbound requests for the server on the allocate queue. If no server re-registers for the allocate queue before the interval expires, APPC/MVS purges the queue and attempts to schedule later inbound requests for the TP/LU name. APPC/MVS rejects any inbound requests that cannot be scheduled. For more information, see “Allowing the Allocate Queue to Persist” on page 2-22.

If you do not specify that an allocate queue is to be maintained when no servers are registered for it, the following occurs on successful completion of the `Unregister_For_Allocates` service:

- If there are other servers registered for this allocate queue, the allocate queue remains active.
- If no other servers are registered for the allocate queue, APPC/MVS purges the allocate requests on the allocate queue.

Note that when you call the `Unregister_For_Allocates` service, you cause APPC/MVS to clean-up any event notification options you might have requested for the allocate queue. For more information about event notification options, and the effects of calling `Unregister_For_Allocates`, see “Receiving Notification of Events” on page 2-13.

APPC/MVS automatically unregisters a server from its allocate queues for the following situations:

- Server’s address space ends
- Job that started the server ends
- `Cleanup_AS` or `Cleanup_TP` service is issued for the server’s address space
- Server’s local LU is deleted.

If the server is running in a transaction scheduler’s subordinate address space, APPC/MVS unregisters the server from its allocate queues when the owning scheduler calls the `Unidentify` service, or implicitly causes the `Unidentify` service to be called. In this situation, all conversations that were previously received through calls to the `Receive_Allocate` service are unaffected by this clean-up processing and remain active.

Using Multiple Servers

To handle high volumes of inbound requests, you can write servers that perform multi-tasking (see “Multi-Tasking Servers” on page 2-23), or, if transaction program activity exceeds the capacity of a single server address space, you can start additional server address spaces to serve the same allocate queue. The initial server can use callable services to determine the transaction program load, and then start a new “copy” of itself if appropriate.

Figure 2-1 on page 2-12 shows two server address spaces serving the same allocate queue:

Using Allocate Queue Services

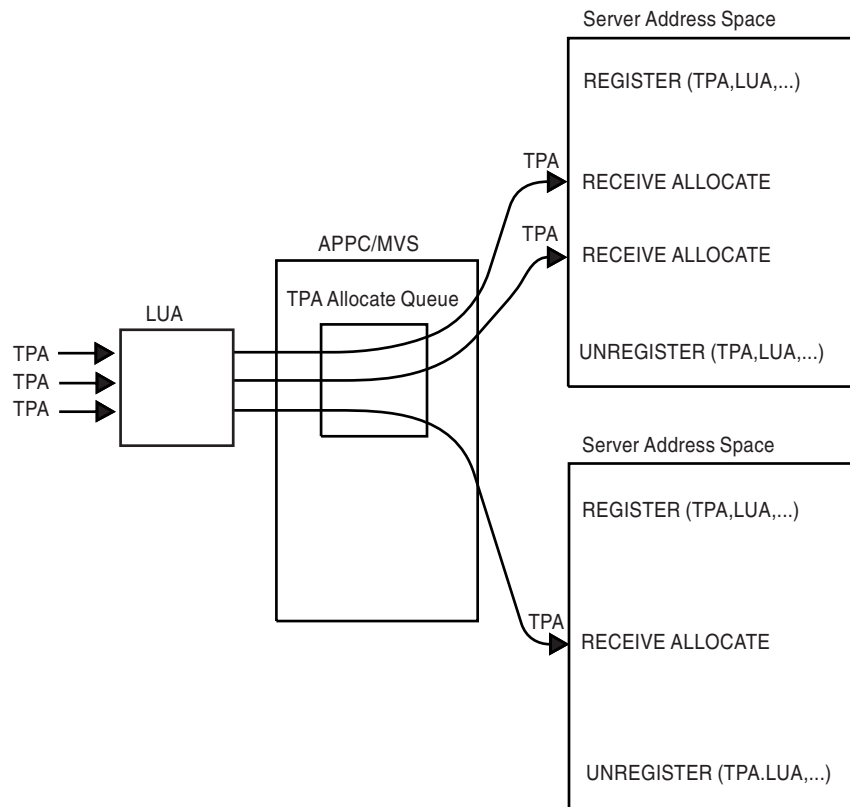


Figure 2-1. Flow of Inbound Conversations to Multiple Server Address Spaces

Note that APPC/MVS does not attempt to balance the transaction program requests among address spaces.

Server address spaces must be started before they can serve any of the transaction programs they are to serve (that is, there is no demand scheduling of server address spaces).

Advanced Server Functions

Besides the basic server functions described in the previous section, APPC/MVS servers can perform additional functions, such as:

- Obtain commonly needed information about the status of an allocate queue, such as the number of allocate requests that currently reside on the queue.
- Receive notification when a particular allocate queue reaches a certain number of allocate requests.
- Have the system preserve the allocate queue during interruptions in server processing.
- Write client-specific information to SMF accounting records.

This section describes how to use APPC/MVS allocate queue services to perform these advanced server functions. For additional reference information for each of the allocate queue services, including syntax and parameter descriptions, see Chapter 4. APPC/MVS Allocate Queue Services.

Querying the Allocate Queue

An APPC/MVS server can call the Query_Allocate_Queue service to obtain commonly needed information about an allocate queue it is serving. The Query_Allocate_Queue service returns the following information about the specified allocate queue:

- TP name/local LU name for which the server registered
- Number of allocate requests in the allocate queue
- Age of the oldest allocate request on the allocate queue
- Time when the last call to the Receive_Allocate service was made by the server
- Time when the Receive_Allocate service last returned control to the server.

A server can query any allocate queue for which it is currently registered. The server supplies, as one input to this service, the allocate queue token it received when it registered for the allocate queue.

TP Name/Local LU name

Among the outputs from the Query_Allocate_Queue service are the name of the TP and LU associated with the allocate queue.

The server specified these names when it registered for allocate requests. If the server is serving more than one allocate queue, it can use the data returned in the TP_name and local_LU_name parameters to distinguish one allocate queue from another.

Other Information About the Allocate Queue

The Query_Allocate_Queue service also returns information that a server can use to determine whether it is processing the requests on an allocate queue quickly enough to meet the installation's throughput goals. Among the information returned is the number of allocate requests that currently reside on the allocate queue (in the allocate_queue_size parameter).

The Query_Allocate_Queue service also returns the following information:

- Amount of time (in seconds) that the oldest allocate request has been in the allocate queue
- Time when the last call to the Receive_Allocate service was made by the server
- Time when the Receive_Allocate service last returned control to the server.

A server can examine these parameters to determine whether it is meeting the installation's throughput goals, or if the allocate queue is growing at a rate that requires more resources (such as additional servers) to process. If desired, your server can take actions to increase its throughput. For example, if the server does multi-tasking, it might add subtasks to process allocate requests at a faster rate.

A server can use the Query_Allocate_Queue service with the Get_Event service to determine the status of the allocate queue for load balancing or diagnostic purposes. The Get_Event service is described in "Receiving Notification of Events".

Receiving Notification of Events

An APPC/MVS server can base its processing on the current sizes of its allocate queues. For example, your server might allocate additional resources to manage a growing workload more efficiently. This type of processing is sometimes called workload balancing.

Using Allocate Queue Services

To check the size of an allocate queue at any one point in time, your server can call the `Query_Allocate_Queue` service. To monitor the growth of an allocate queue *dynamically* (that is, on an ongoing basis), however, use the `Set_Allocate_Queue_Notification` service with the `Get_Event` service, as follows:

- Call the `Set_Allocate_Queue_Notification` service to request notification whenever an allocate queue reaches a particular number of allocate requests.
- Call the `Get_Event` service to actually receive the notification you requested through the `Set_Allocate_Queue_Notification` service.

Requesting Notification of Events

An APPC/MVS server can request to be notified when an allocate queue it is serving reaches a particular number of inbound allocate requests. The server requests such notification by calling the `Set_Allocate_Queue_Notification` service.

Use the `Set_Allocate_Queue_Notification` service to be notified when a particular allocate queue:

- Increases to a certain number of allocate requests or
- Decreases to a certain number of allocate requests.

Notification of such events might be useful to servers that perform load balancing. For example, if your server uses a variable number of subtasks to process an allocate queue, the server can request notification when its allocate queue increases to a predetermined maximum number of allocate requests. In this event, the server might then take some action in response to the growing workload, such as increasing the number of subtasks it uses to process the allocate queue.

By calling the `Set_Allocate_Queue_Notification` service, a server uses APPC/MVS to monitor the size of a particular allocate queue. This service allows the server to specify a number (or *threshold*) of allocate requests on which notification is to occur. A server can specify a minimum or maximum threshold, or both.

When the allocate queue reaches the specified threshold, APPC/MVS “informs” the server by placing an element that represents the event on a structure known as the server’s **event queue**. There is one event queue per server, and it can contain any number of event elements for any of the allocate queues for which the server is registered. Each event element contains the type of threshold that was reached ('MIN' or 'MAX'), as well as the allocate queue token that identifies the particular allocate queue, and a timestamp that shows when the event occurred.

For example, assume a server has requested to be notified when its allocate queue increases to 40 allocate requests, or decreases to 15. Figure 2-2 shows how APPC/MVS creates event elements in response to the allocate queue reaching either of these thresholds.

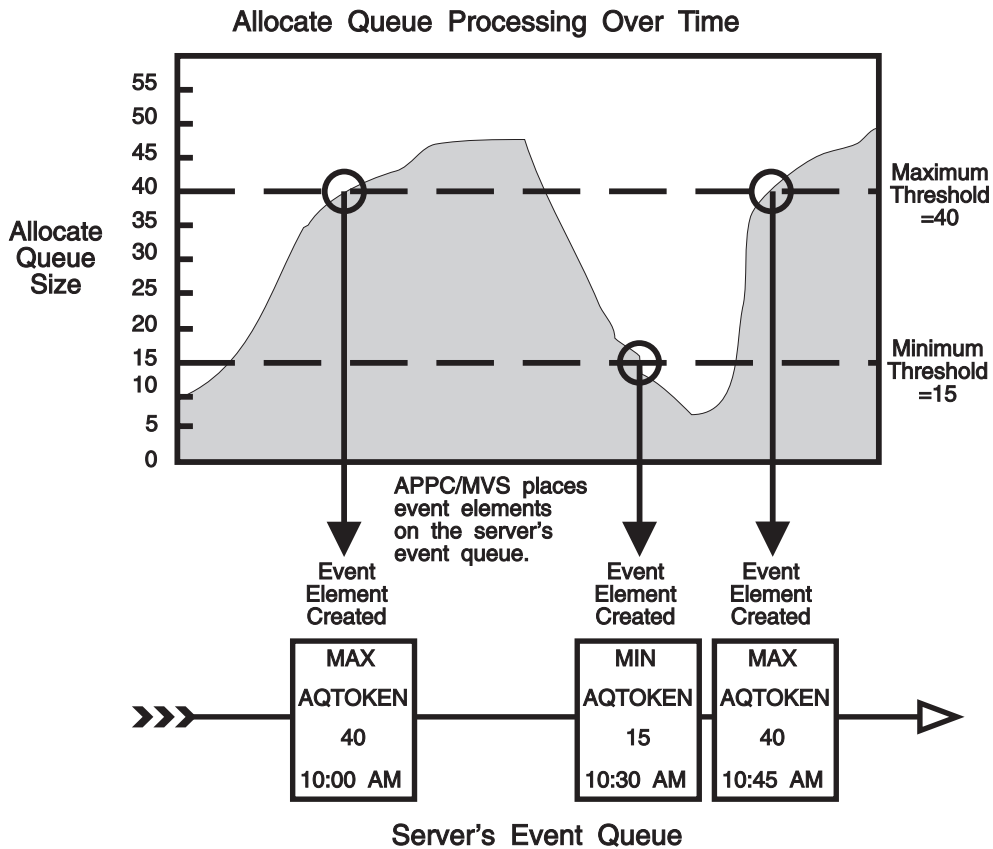


Figure 2-2. Relationship Between Allocate Queue and Event Queue

APPC/MVS places elements on the server's event queue in the order which they occur — that is, on a first-in, first-out, (FIFO) basis. To retrieve an event element, a server calls the `Get_Event` service, which returns the oldest event on the server's event queue.

Your server can request notification for any allocate queue for which it is currently registered. The server supplies, as one input to this service, the allocate queue token it received when registering for the allocate queue (through the `Register_For_Allocates` service). The allocate queue token uniquely identifies a specific allocate queue.

Your server can also cancel its previous requests for notification (see "Cancelling Event Notification" on page 2-19).

Using `Get_Event` to Retrieve Event Elements: Use the `Get_Event` service in conjunction with the `Set_Allocate_Queue_Notification` service. To determine whether a requested event has occurred, and, if so, the type of event, have your server attempt to retrieve an event element from its event queue by calling the `Get_Event` service.

Using Allocate Queue Services

Specifying Event Notification Types: Besides specifying minimum or maximum thresholds (or both), you can further define your notification requests by specifying whether notification is to be *one-time* or *continuous* (through the `event_notification_type` parameter). One-time notification causes APPC/MVS to monitor for a single occurrence of the specified event. After the event occurs, APPC/MVS notifies the server (through the server's event queue) and stops monitoring for the event. Continuous notification causes APPC/MVS to notify the server every time the specified event occurs, and remains in effect until one of the following happens:

- The server cancels the notification request
- The server unregisters from the allocate queue (causing APPC/MVS to cancel the notification request)
- The APPC/MVS address space ends.

Specifying Thresholds: Use the `event_code` and `event_qualifier` parameters of the `Set_Allocate_Queue_Notification` service to specify a minimum or maximum threshold for a particular allocate queue.

- Use the `event_code` parameter to indicate whether the threshold is a minimum or maximum threshold.
- Use the `event_qualifier` parameter to define a specific numeric value for the threshold.

When you specify a maximum threshold, APPC/MVS notifies your server if the number of allocate requests on the allocate queue increases to the threshold. For example, if the server sets a maximum threshold of 50 allocate requests, APPC/MVS notifies the server when the number of allocate requests on the allocate queue increases to 50.

For maximum thresholds, the allocate queue must *increase* to trigger notification. For example, assume an allocate queue exceeds a maximum threshold of 50 allocate requests, and then decreases below it (because the server has processed some of the allocate requests). APPC/MVS notifies the server when the allocate queue grows above 50 allocate requests, but does not notify the server a second time when the allocate queue later decreases below the maximum threshold. If the server requested continuous notification for this event, APPC/MVS does not notify the server again until the number of allocate requests on the allocate queue decreases to less than 50 and then increases to 50 again (as shown in Figure 2-3 on page 2-17).

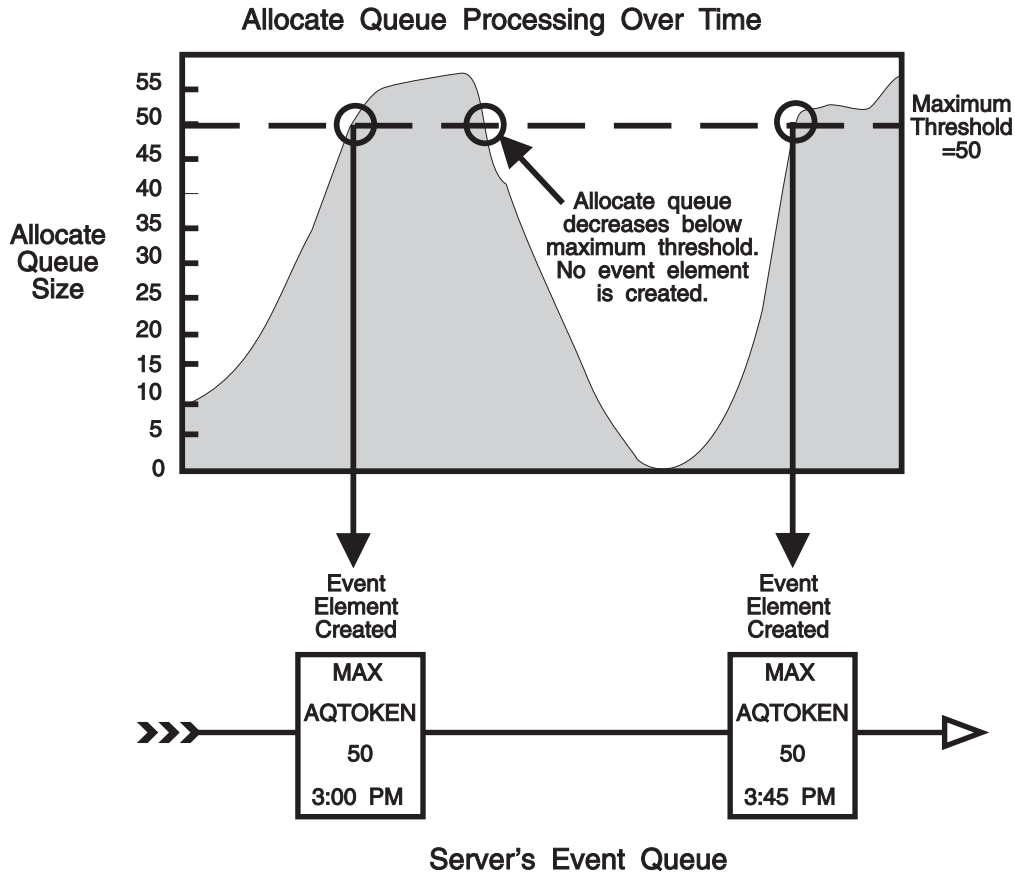


Figure 2-3. Maximum Threshold Reached

When you specify a minimum threshold, APPC/MVS notifies your server if the number of allocate requests on the allocate queue decreases to the threshold. For example, if the server sets a minimum threshold of 1 allocate request, APPC/MVS notifies the server when the number of allocate requests on the allocate queue decreases to 1.

For minimum thresholds, the allocate queue must *decrease* to trigger notification. For example, assume a server sets a minimum threshold of 1 allocate request for an allocate queue. APPC/MVS notifies the server when the number of allocate requests on the allocate queue decreases to 1. APPC/MVS does not notify the server if the allocate queue increases from 0 to 1, but rather when it decreases from 2 to 1. If the same server requested continuous notification for this event, APPC/MVS would not notify the server again until the allocate queue increases to more than 1 allocate request and then decreases to 1 (as shown in Figure 2-4 on page 2-18).

Using Allocate Queue Services

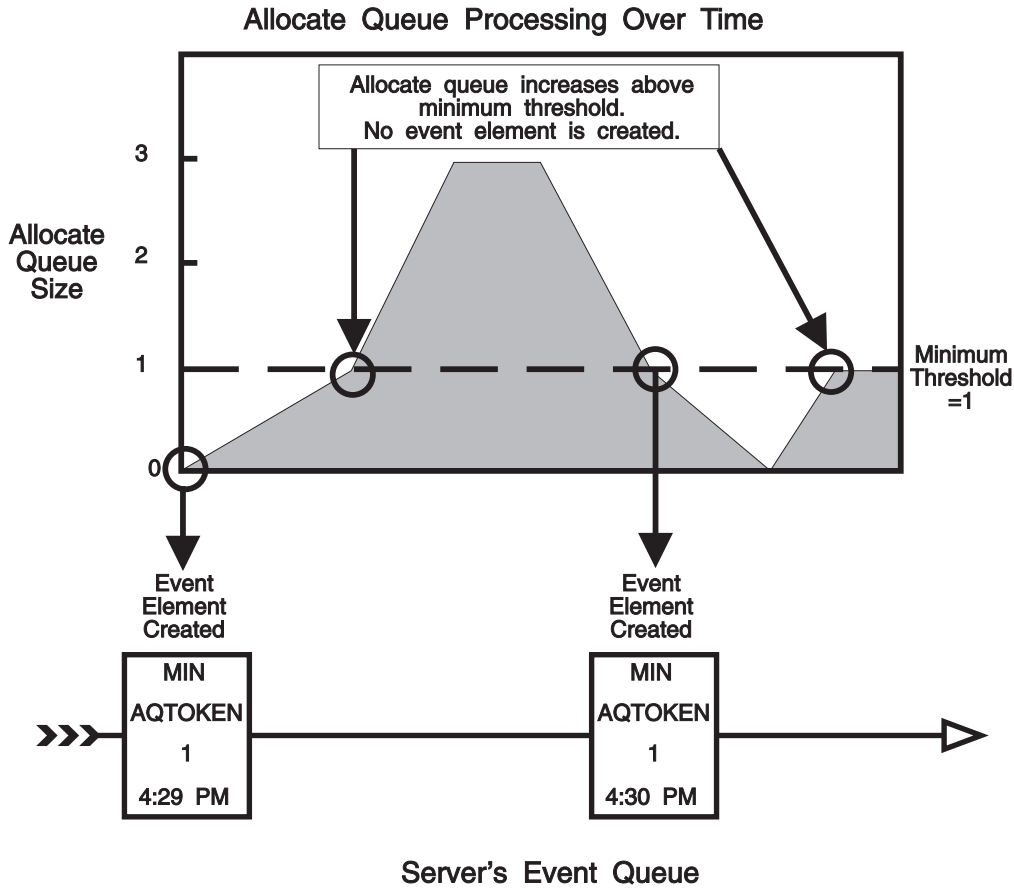


Figure 2-4. Minimum Threshold Reached

Threshold Already Reached: If a specified threshold is already reached when your server calls the Set_Allocate_Queue_Notification service, APPC/MVS immediately places an element on the server's event queue.

For maximum thresholds, APPC/MVS places an element on the server's event queue if the allocate queue is currently equal to, or greater than, the specified threshold. For example, if the server requests to be notified when an allocate queue reaches 50 allocate requests, and the allocate queue already contains 60 allocate requests, APPC/MVS immediately places an event element on the server's event queue.

For minimum thresholds, APPC/MVS considers the threshold to have been already reached if the allocate queue contains less than or equal to the specified threshold. Figure 2-4 shows that if the server specifies a minimum threshold of 1, and the allocate queue contains no allocate requests, APPC/MVS immediately places an event element on the server's event queue.

Using Allocate Queue Services

Note that APPC/MVS's handling of the "minimum threshold already reached" situation allows for the possibility that APPC/MVS will queue an event element without the allocate queue having actually *decreased* to the specified minimum threshold. To determine whether a threshold has already been reached, the server can call the `Get_Event` service immediately after calling the `Set_Allocate_Queue_Notification` service.

Specifying Multiple Thresholds: A server can specify both a minimum and maximum threshold for a particular allocate queue, but only one per call to the `Set_Allocate_Queue_Notification` service. Therefore, the server must make a separate call for each threshold it sets.

Also, a server can have one or more of the following combinations of threshold types (minimum or maximum) and notification types (continuous or one-time) active at the same time:

- Minimum/one-time
- Minimum/continuous
- Maximum/one-time
- Maximum/continuous.

A server cannot have more than one of each of the preceding combinations active at the same time. For example, the server cannot have two maximum/continuous requests active. The latest request overrides the earlier request (as explained in "Modifying Thresholds", which follows).

Modifying Thresholds: You can override a threshold that you set through a previous notification request by re-issuing the `Set_Allocate_Queue_Notification` service and specifying a new value for the `event_qualifier` parameter (the event notification type must be the same; otherwise, APPC/MVS monitors for both events). The new threshold value overrides the value set on the previous call to the `Set_Allocate_Queue_Notification` service.

Example of Modifying a Threshold: To override a previous threshold, you must specify the same event notification type that you specified on the request to be overridden. For example, assume that a server requested to be notified when an allocate queue increases to 25 allocate requests and specified one-time notification. The server then calls the `Set_Allocate_Queue_Notification` service with the same parameters, with the exception that the server changes the maximum threshold to 30. The second call overrides the first call.

Assume the same server again calls the `Set_Allocate_Queue_Notification` service. This time, the server specifies a maximum threshold of 40 allocate requests, but specifies continuous notification. APPC/MVS considers this call to be different from the previous notification requests. As a result, APPC/MVS monitors the server's allocate queue for the following events:

- A maximum threshold of 30, for which the server is to receive one-time notification
- A maximum threshold of 40, for which the server is to receive continuous notification.

Cancelling Event Notification: You can cancel active notification requests through the `Set_Allocate_Queue_Notification` service. You can cancel either a particular request, or, through a single call to the `Set_Allocate_Queue_Notification` service, cancel all of your server's active notification requests for an allocate queue.

Using Allocate Queue Services

To cancel a particular notification request, call the `Set_Allocate_Queue_Notification` service with parameters that match the request to be cancelled, with the exception that the `event_notification_type` parameter is set to a value of `atbcts_cancel_notify`. APPC/MVS stops monitoring for the particular event, and deletes from the server's event queue any elements that were queued because of the original notification request.

To cancel all of its active notification requests for an allocate queue, call the `Set_Allocate_Queue_Notification` service with:

- The `event_notification_type` parameter set to a value of `atbcts_cancel_all_notify` and
- The `allocate_queue_token` parameter containing the allocate queue token received from the `Register_For_Allocates` service.

APPC/MVS checks, but does not use, the other parameters in this case. APPC/MVS stops monitoring for the allocate queue and deletes the event elements related to this allocate queue from the server's event queue.

Note that cancelling notification requests might cause APPC/MVS to cancel outstanding calls to the `Get_Event` service. In the "cancel all" situation, APPC/MVS cancels the server's outstanding call to the `Get_Event` service when APPC/MVS is not monitoring any other allocate queues for the server. In the "cancel a particular request" situation, APPC/MVS cancels an outstanding call to the `Get_Event` service when the server has no other outstanding requests for notification.

Event Notification Clean-Up: When a server unregisters from an allocate queue, APPC/MVS cancels all the server's active notification requests for the allocate queue.

Unregistering from the allocate queue also causes APPC/MVS to purge the server's event queue of any elements related to this allocate queue. Also, if the server has an outstanding call to the `Get_Event` service, APPC/MVS cancels the call.

If the event notification requests being cancelled are the only ones the server has requested, and the server has an outstanding `Get_Event` request, the `Get_Event` service will return to the server with return code 16 (`atbcts_request_unsuccessful`) and reason code 20 (`atbcts_request_cancelled`).

Retrieving Event Elements

To retrieve the next event element on an event queue, call the `Get_Event` service. You can have only one outstanding call to the `Get_Event` service at a time. On the call to `Get_Event`, specify the `event_get_type` and `notify_type` parameters to indicate how APPC/MVS is to process the call, as follows:

- Specify `event_get_type` to indicate whether the `Get_Event` service can wait for a new event element to be added to the event queue, if the event queue currently contains no elements (`Get_Event` waits under the caller's task.)
- Specify `notify_type` to indicate whether the `Get_Event` call is to be processed synchronously or asynchronously.

If you set `event_get_type` to 1 (`atbcts_immediate`), APPC/MVS returns an event element if one is immediately available. If there are no event elements, APPC/MVS provides return and reason codes that show the call was unsuccessful because no event elements were available. If you specify an `event_get_type` of 2 (`atbcts_wait`), APPC/MVS waits until an event element is available before returning control.

Using Allocate Queue Services

If you call `Get_Event` synchronously, APPC/MVS does not return control until `Get_Event` completes, or you *implicitly cancel* the request (for example, unregistering from the allocate queue causes APPC/MVS to cancel an outstanding `Get_Event` request for the queue). If you call `Get_Event` asynchronously, APPC/MVS returns control immediately, but monitors the event queue for an event element. APPC/MVS notifies the server by posting the specified ECB when the event for which notification was requested occurs.

Table 2-4 shows the results for different combinations of `notify_type` and `event_get_type`:

Table 2-4. Results of Notify_Type/Event_Get_Type Combinations

Notify_Type Value:	Event_Get_Type Value:	
	<i>atbcts_immediate</i>	<i>atbcts_wait</i>
NONE	Get_Event returns an event element if one is available, or return code 16 (<code>atbcts_request_unsuccessful</code>) and reason code 30 (<code>atbcts_no_event_available</code>), if the event queue is currently empty.	The caller waits until an event element is retrieved, or this call is cancelled implicitly.
ECB	Control returns to the caller immediately, while APPC/MVS processes the <code>Get_Event</code> call asynchronously. If the event element is available, <code>Get_Event</code> returns the element. Otherwise, the caller receives return code 16 (<code>atbcts_request_unsuccessful</code>) and reason code 30 (<code>atbcts_no_event_available</code>).	Control returns to the caller immediately, while APPC/MVS processes the <code>Get_Event</code> call asynchronously. When an event element is available, <code>Get_Event</code> posts the caller's ECB.

Specifying the Event Buffer: To receive notification of an event, your server must supply a buffer on its call to `Get_Event`. APPC/MVS returns the event element in the event buffer.

The event buffer you specify must be large enough to contain the event element. If you specify a buffer that is not large enough, APPC/MVS sets the `event_element_size` parameter to the length it requires to satisfy the request. The `Get_Event` service returns to the server with return code 16 (`atbcts_request_unsuccessful`) and reason code 41 (`atbcts_buffer_too_small`). The server can create a larger event buffer and call the `Get_Event` service again to retrieve the event element successfully.

If you specify a buffer large enough to contain the event element, APPC/MVS sets the `event_element_size` parameter to the size of the event element that was returned, and the server receives a return code of zero.

Like most parameters returned from APPC/MVS callable services, the event buffer must reside in the caller's primary address space and be accessible to the caller's PSW key.

Effect of Unregister_For_Allocates: A call to the `Unregister_For_Allocates` service implicitly cancels a `Get_Event` if the call leaves the caller without allocate queues or outstanding calls to the `Set_Allocate_Queue_Notification` service.

Using Allocate Queue Services

Allowing the Allocate Queue to Persist

Use the `Set_Allocate_Queue_Attributes` service to indicate whether APPC/MVS is to maintain an allocate queue for which no servers are registered. Use this service when your server must stop serving an allocate queue for some interval of time, and will later resume serving the queue.

When calling the `Set_Allocate_Queue_Attributes` service, a server specifies a “keep time” for the allocate queue. The keep time is the number of seconds an allocate queue is maintained after the last server of the allocate queue unregisters. The server should set the allocate queue keep time only if it intends to resume serving the allocate queue within this time limit.

For example, you can use the `Set_Allocate_Queue_Attributes` service in situations where your server is to be restarted periodically. The server could register for a particular allocate queue and call the `Set_Allocate_Queue_Attributes` service, specifying a keep time for the allocate queue that would allow enough time for the server to be taken down and brought back up. The server could then re-register for the allocate queue, and resume receiving allocate requests.

To have an allocate queue cleaned up immediately after its last server unregisters, specify zero for the allocate queue keep time (or take the default of zero by not calling the `Set_Allocate_Queue_Attributes` service). In response, APPC/MVS rejects the allocate requests that reside on the queue with sense code `X'084C0000'` (`TP_Not_Available_No_Retry`). APPC/MVS attempts to place any new allocate requests that enter the system on another appropriate allocate queue if one exists, or attempts to schedule them. If there are no other appropriate allocate queues for inbound allocate requests, and they cannot be scheduled, APPC/MVS rejects the allocate requests with sense code `X'084C0000'` (`TP_Not_Available_No_Retry`).

If you specify a keep time for an allocate queue, however, APPC/MVS maintains all inbound allocate requests received for the server for the specified amount of time. During this period, APPC/MVS continues to add new inbound allocate requests for the server to the allocate queue.

A server can re-register for the allocate queue by calling `Register_For_Allocates` with the same parameter values it specified on its initial `Register_For_Allocates` call. The server must re-register for the allocate queue, however, before the specified keep time is exceeded, to serve any previously queued requests before they are purged with sense code `X'084C0000'` (`TP_Not_Available_No_Retry`).

When you specify a keep time, specify a value large enough to allow the server time to re-register for the allocate queue. Do not set the value too high, however, because the allocate requests will remain idle on the allocate queue, causing users to wait for their work to complete.

An allocate queue's keep time is zero by default. Only one keep time can be in effect for an allocate queue at a time, regardless of how many servers have registered for the queue. An allocate queue keep time specified on the `Set_Allocate_Queue_Attributes` service overrides the previous allocate queue keep time, if any. Also, if the last server of an allocate queue unregisters and re-registers for the same allocate queue before the allocate queue keep time has been exceeded, APPC/MVS resets the keep time to the value that was specified on the last call to the `Set_Allocate_Queue_Attributes` service.

Use of Unregister_For_Allocates

Use the Set_Allocate_Queue_Attributes service with the Unregister_For_Allocates service. When the last server of an allocate queue calls Unregister_For_Allocates, APPC/MVS checks the allocate queue's keep time, if any, and processes the queue as follows:

- If the keep time is zero, APPC/MVS purges the allocate queue (that is, the allocate requests are rejected).
- If the keep time is greater than zero, APPC/MVS maintains the allocate queue for the specified amount of time. During this time, APPC/MVS continues to add new inbound allocate requests to the allocate queue.

Multi-Tasking Servers

Because of the potentially heavy volume of transactions they will be serving, servers are likely to multi-task to handle multiple requests in parallel. This section lists common multi-tasking models you might consider for use in your server applications. The discussion refers to three models:

- Model One: "Empowerment"
- Model Two: "Management-Directed"
- Model Three: "Unmanaged".

Model One — Empowerment

In this model, the main task registers for inbound allocate requests and attaches one or more subtasks to handle each conversation.

Figure 2-5 on page 2-24 shows this type of multi-tasking server. In this case, the server registers for two different TP names (Steps 1 and 2), and dedicates two of its three subtasks to handling allocate requests from TPA. The main task attaches a third subtask to handle requests from TPB. The main task passes the allocate queue tokens it received from Register_For_Allocates (AQTOKEN1 and AQTOKEN2) to the subtasks so that they can begin processing requests from each allocate queue.

When invoked, each subtask calls the Receive_Allocate service (Steps 3 through 5), specifying the allocate queue token it received from the main task. Each subtask can now process requests from the appropriate allocate queue.

At the end of server processing, the main task unregisters from its allocate queues (Step 6).

Using Allocate Queue Services

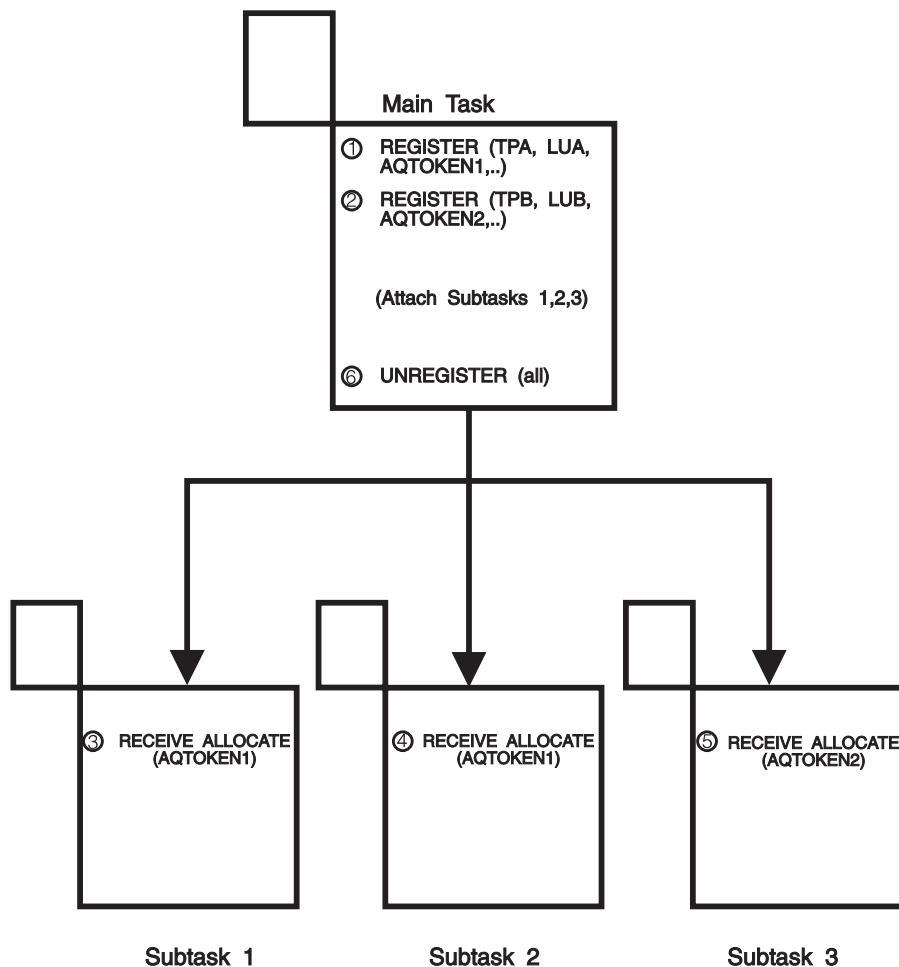


Figure 2-5. Example of a Multi-tasking Server Address Space

Model Two — Management-Directed

This model is similar to the empowerment model, with the exception that the main task also calls the Receive_Allocate service. The main task passes the conversation IDs it receives to the subtasks (instead of allowing the subtasks to call Receive_Allocate).

This model provides a greater degree of centralized control within the main task. In this case, however, the main task must monitor its subtasks periodically to determine which subtasks are available to process a conversation.

Model Three — Unmanaged

This model is the opposite of the management-directed model. The main task attaches one or more subtasks which call Register_For_Allocates and Receive_Allocate. While this model poses more difficulties than the preceding

models (for example, communication between the subtasks, if any, must be managed between the subtasks), you might find this model suitable to your particular application.

General Considerations for Multi-Tasking Servers

- Initialization.

Regardless of the multi-tasking model you use, the server's main task should perform the initialization tasks, such as allocating common resources or issuing messages to operators.

- Security.

Consider the potential risks of running multiple users in the same address space.

- Workload balancing.

Consider using the allocate queue services described in "Receiving Notification of Events" on page 2-13 to manage the installation's workload efficiently. To simplify workload balancing, have the same task perform the event notification functions for the server.

- Processing protected conversations.

Servers designed following the empowerment and unmanaged models may process protected conversations (conversations with a synchronization level of syncpt) as they would any other conversation, as long as each server subtask processes only one conversation at a time. Servers that are designed following the management-directed model, however, must register with registration services as a resource manager to process protected conversations using privately managed contexts.

If you want to code a management-directed model server to manage protected conversations, you need to understand the concepts and requirements for resource recovery in *OS/390 MVS Programming: Resource Recovery*. Design this server and its subtasks to use allocate queue services, along with registration and context callable services, in the following sequence:

1. Register for TP/LU pairs through the Register_For_Allocates service. The LUs for which the server registers must be defined as capable of handling conversations with a synchronization level of syncpt. See the session management section of *OS/390 MVS Planning: APPC/MVS Management* for further information about enabling LUs for protected conversation support.
2. Register with registration services through the Register_Resource_Manager service, supplying a resource manager name for this server. The service returns a resource manager token that the server uses on subsequent calls to registration and context services.
3. Call the Set_Exit_Information service to cause the server resource manager state to change to SET state. The server is now in the correct state with context services to issue context callable services.
4. Create a privately managed context through the Begin_Context service. The service returns a context token for the newly created context.
5. Switch to the newly created context by issuing a call to the Switch_Context service. After the service returns, the privately managed context is the current context.
6. Receive an inbound protected conversation by issuing the Receive_Allocate service. After the service returns, the identifier of this protected logical unit of work is associated with the privately managed context.
7. Attach a subtask to process the protected conversation. The server must pass to the subtask not only the conversation ID, but also the context token

Using Allocate Queue Services

for the privately managed context. Once the subtask receives control, it must issue the `Switch_Context` service, specifying that context token.

The server may then repeat steps 4 on page 2-25 through 7 on page 2-25 to receive additional allocate queue requests, each with a different context, for additional subtasks to process. For servers, only one protected conversation may be associated with a context at one time; so a server may issue another `Receive_Allocate` call before deallocating a previous allocate request **only** through the use of privately managed contexts.

Managing Protected Conversations

To manage more than one protected conversation at a time, a server must register as a resource manager and use privately managed contexts to represent inbound allocate requests. Using privately managed contexts is only necessary for servers that are designed following the management-directed model. Other model types may process protected conversations as they would any other conversation, as long as each server subtask processes only one conversation at a time.

Note that designing and coding a server to act as a resource manager is relatively difficult. If you want to code a management-directed server to manage protected conversations, you need to:

- Understand the concepts and requirements for resource recovery in *OS/390 MVS Programming: Resource Recovery*.
- Use the guidelines listed in “General Considerations for Multi-Tasking Servers” on page 2-25 to design and code a management-directed server to act as a resource manager.

Accounting for Server Usage

Your installation can track the use of server-specific resources through the SMF record type 33, subtype 2. Also, APPC/MVS servers can add client-specific information to these records to simplify accounting tasks.

Tracking Server-Specific Resources through SMF

When either partner program deallocates an APPC/MVS conversation, SMF writes a type 33, subtype 2 record. SMF provides detailed information about both partners, their associated LUs, and the amount of data transferred over the network. For a description of SMF accounting for APPC/MVS servers, see the section on APPC/MVS accounting in *OS/390 MVS System Management Facilities (SMF)*.

Adding User Data to Accounting Records

Servers can write up to 255 bytes of user-defined data to these accounting records through the `Set_Conversation_Accounting_Information` service. The user data also appears in the user data field that the `Extract_Information` service returns when programs extract information about specific conversations.

You can use the user data field to charge resources to a specific conversation, or to correlate outbound conversations to inbound conversations, by specifying a conversation ID in the user data, for example.

For information about using the `Set_Conversation_Accounting_Information` service, see *OS/390 MVS Writing TPs for APPC/MVS*.

Performance Considerations for Allocate Queue Services

The relative performance of APPC/MVS callable services varies depending on the functions that the callable service performs. For example, services that call VTAM or cause the movement of data buffers involve a greater number of internal instructions.

Table 2-5 provides a summary of performance considerations for individual APPC/MVS allocate queue callable services. For an overview of performance considerations for APPC/MVS TP callable services, see *OS/390 MVS Writing TPs for APPC/MVS*.

Table 2-5. Performance Considerations for Allocate Queue Services

APPC/MVS Service	Calls VTAM	Causes DASD I/O	Causes buffer moves	Calls RACF	Creates SMF record
Register_For_Allocates	No	See Note	No	RACROUTE REQUEST= AUTH	No
Receive_Allocate	No	No	No	No	No
Unregister_For_Allocates	No	No	No	No	No
Query_Allocate_Queue	No	No	No	No	No
Set_Allocate_Queue_Notification	No	No	No	No	No
Get_Event	No	No	No	No	No
Set_Allocate_Queue_Attributes	No	No	No	No	No
Note: Reads from the side information file if you specify a symbolic destination name.					

Installing APPC/MVS Servers

This section is provided mainly as background information. In most cases, the server writer does not have to do more than step 1. You might, however, want to check with the system programmer and security administrator to make sure that other steps have been taken.

For detailed information on configuring APPC/MVS, see *OS/390 MVS Planning: APPC/MVS Management*.

To install your server, do the following:

1. Install the server program on the OS/390 system. Unauthorized server programs can reside in any library. Authorized server programs must reside in an authorized library.
2. The system programmer defines NOSCHED LUs, if needed.
3. The system programmer defines TP profile data sets, if needed. Include database tokens (dbtokens) for servers.
4. The security administrator does the following:
 - a. For started servers, assigns user IDs by modifying the RACF started procedures table (module ICHRIN03). For information about the RACF started procedures table, see *OS/390 Security Server (RACF) Security Administrator's Guide*.
 - b. Defines RACF profiles in APPCSERV class, and protects the APPCSERV class with UACC(NONE). For example:


```
RDEFINE APPCSERV dbtoken.tpname UACC(NONE)
```

Using Allocate Queue Services

where *dbtoken* identifies the client's local LU, and *tpname* is the name of the client TP.

- c. Activates the APPCSERV class, and activates RACLIST processing for the class. For example:

```
SETROPTS CLASSACT(APPCSERV) RACLIST(APPCSERV)
```

- d. Grants READ access to individual server user IDs for the client's profile in the APPCSERV class. The security administrator could use the following RACF command:

```
PERMIT dbtoken.tpname CLASS(APPCSERV) ACCESS(READ) ID(userid)
```

For information about defining RACF security classes and using RACF commands, see *OS/390 Security Server (RACF) Security Administrator's Guide*.

5. Tuning: The system programmer can specify SRM tuning parameters for server address spaces, if desired.

Diagnosing Problems with APPC/MVS Servers

Using the API trace facility, programmers can collect data about each call that an APPC/MVS server issues for any APPC/MVS allocate queue service, except for `Get_Event` and `Set_Allocate_Queue_Notification`. For the API trace facility to collect trace data for these services, the server must specify a valid allocate queue token on those services that accept an allocate queue token as input.

See *OS/390 MVS Writing TPs for APPC/MVS* for more information about the API trace facility.

Chapter 3. Invocation Details for Allocate Queue Services

Objective

This chapter describes the available programming languages, syntax and linkage conventions, and parameter types for the APPC/MVS allocate queue callable services.

The figure below shows a partial list of high-level language compilers that support APPC/MVS calls. Calls can be made with other compiler levels and other compiler products that meet the requirements and linkage conventions described in this chapter.

To use allocate queue services, programs must run in 31-bit addressing mode. Note that this requirement might limit some language functions you can use.

Table 3-1. Some High-Level Language Compilers for APPC/MVS Calls

Language	Compiler
C	C/370 Compiler Version 1, Release 2.0
COBOL	VS COBOL II, Release 2.0
FORTTRAN	VS FORTRAN Compiler Version 2, Release 3.0
PL/I	OS PL/I Compiler Version 2, Release 2.1
REXX	TSO/E Version 2, Release 5

Interface Definition Files (IDFs)

IBM provides IDFs (also called pseudonym files or headers) for the preceding high level languages. IDFs include prototypes for each call and constant declarations for parameter, return code, and reason code values.

“Interface Definition Files (IDFs) for APPC/MVS Services” on page 3-4 lists the IDFs available for use with APPC/MVS allocate queue services.

Syntax and Linkage Conventions for Allocate Queue Services

All allocate queue callable services have a general calling syntax as follows:

`CALL routine_name (parameters,reason_code,return_code)`

Some specific calling formats for languages that can call APPC/MVS services are:

COBOL CALL “routine_name” USING
 parm1,parm2,...reason_code,return_code

FORTTRAN CALL routine_name (parm1,parm2,...reason_code,return_code)

C routine_name (parm1,parm2,...reason_code,return_code)

PL/I CALL routine_name (parm1,parm2,...reason_code,return_code)

REXX ADDRESS APPCMVS “routine_name parm1 parm2...reason_code
 return_code”

For REXX, enclose the routine name and all parameters within one pair of single or double quotes. Parameters must be initialized to

Invocation Details

appropriate values. The host command environment resolves the parameter values. For more information, see *OS/390 TSO/E REXX Reference*.

Assembler Call macro

```
CALL routine_name,(parm1,parm2,...reason_code,return_code),VL
```

Note that all allocate queue services return (as parameters) a return and reason code that shows the result of the call.

Linkage Conventions

Callers must use the following linkage conventions for all allocate queue callable services:

- Register 1 must contain the address of a parameter list, which is a list of consecutive words, each containing the address of a parameter to be passed. The last word in this list must have a 1 in the high-order (sign) bit.
- Register 13 must contain the address of an 18-word save area.
- Register 14 must contain the return address.
- Register 15 must contain the entry point address of the service being called.
- If the caller is running in AR ASC mode, access registers 1, 13, 14, and 15 must all be set to zero.

On return from the service, general and access registers 2 through 14 are restored (registers 0, 1 and 15 are not restored).

Any high-level language that generates this type of interface can be used to call allocate queue services.

Parameter Description for Allocate Queue Services

All the parameters of the allocate queue callable services are required positional parameters. When you call a service, you must specify all the parameters in the order listed. APPC/MVS checks all parameters for valid values, regardless of whether the parameters are used in call processing. Even though a language may allow parameters to be omitted, APPC/MVS services do not.

Some parameters do not require values and allow you to substitute zeroes or a string of blanks for the parameter. For example, if you do not specify a symbolic destination on the Register_For_Allocates call, you must set the Sym_dest_name parameter to eight blanks. The descriptions of the parameters identify those which can be replaced by blanks or zeroes, and when to do so.

Each service has returned to it (through parameters) a return and reason code that shows the result of the call. If the return code is set to zero or decimal 64, APPC/MVS does not set the reason code (and thus it need not be checked). If the return code is a non-zero value other than decimal 64, APPC/MVS sets the reason code to show the reason for the bad return code.

In the descriptions of services in this book, each parameter is described as supplied or returned:

Supplied

You supply a value for the parameter in the call.

Returned

The service returns a value in the named parameter when the call is finished (for example, *return_code*).

Each parameter is also described in terms of its data type, character set, and length:

Data type

Either integer, character string, or structure.

Character set

Applies only to parameters whose values are character strings and governs the values allowed for that parameter. Possible character sets are:

- No restriction

There is no restriction on the byte values contained in the character string.

- Type A EBCDIC

The string may contain only uppercase alphabets, numerics, and national characters (@, \$, #) and must begin with an alphabetic or national character. Use of @, \$, and # is discouraged because those characters display differently on different national code pages.

- 01134

The string may contain uppercase alphabets or numerics, with no restriction on the first character.

- 00640

The string may contain upper- or lowercase alphabets, numerics, or any of 19 special characters with no restriction on the first character.

Note: APPC/MVS does not allow blanks in 00640 character strings.

For more detailed information about the characters in each character set, see “Appendix A. Character Sets” on page A-1.

Length

Depends on the data type of the parameter:

- For an integer item, the length shows the size of the field in bits.
- For a character string parameter, the length value shows the number of characters that may be contained in a character type parameter. The length may specify a single number or a minimum and maximum number.
- For a structure parameter, the length value shows the size of the structure in bytes, or a minimum and maximum size if the size of the structure is variable.

Required Modules

Programs that use APPC/MVS callable services must have addressability to modules in SYS1.CSSLIB that define the services. You can use either of the following methods described here to access APPC/MVS callable services.

- Method One — Have your program issue the MVS LOAD macro for the APPC/MVS service to obtain its entry point address. Use that address to call the APPC/MVS service.
- Method Two — Link-edit one or more of the following modules from SYS1.CSSLIB with any program that issues APPC/MVS services:
 - ATBPBI — with programs that issue CPI Communications calls or TP conversation services
 - ATBATP — with programs that issue APPC/MVS advanced TP services

Invocation Details

- ATBCTS — with programs that issue APPC/MVS allocate queue services, Reject_Conversation, or Set_Conversation_Accounting_Information.
- ATBCSS — with programs that issue APPC/MVS system services.

If you use this second method, you must again link-edit these modules and any load modules containing copies of them with your APPC/MVS applications after new releases of MVS are installed, or maintenance is applied that affects APPC/MVS callable services. In this case, provide a post-install job to re-link-edit the modules with your APPC/MVS applications.

Additional language-specific statements may be necessary so that language compilers can provide the proper assembler interface. Other programming notation, such as variable declarations, are also language-dependent.

Versions of Callable Services

APPC/MVS allocate queue callable services have a version number as the last character of the call name (for example, ATBRFA2). That number corresponds to the version of APPC/MVS in which the call was introduced.

To determine which calls are valid on a system, you can obtain the current APPC/MVS version number from the APPC/MVS Version service. For more information about the APPC/MVS Version service, see *OS/390 MVS Writing TPs for APPC/MVS*.

Interface Definition Files (IDFs) for APPC/MVS Services

IBM provides IDFs (also called pseudonym files or headers) that define variables and values for parameters of APPC/MVS services. IDFs are available for different languages, and can be included or copied from a central library into programs that call APPC/MVS services.

For a list of the IDFs available for use with CPI-C, LU 6.2, and APPC/MVS services, see *OS/390 MVS Writing TPs for APPC/MVS*.

IBM provides the following IDFs for programs that call APPC/MVS allocate queue services, the Reject_Conversation service or the Set_Conversation_Accounting_Information service:

Language	SYS1.MACLIB Member
Assembler	ATBCTASM in SYS1.MACLIB

Table 3-2. IDFs for Allocate Queue Services

Language	In member:
C	ATBCTC in SYS1.SIEAHDR.H
Note: ATBCTC is also shipped in the OS/390 UNIX System Services HFS directory /usr/include.	
COBOL	ATBCTCOB in SYS1.SIEAHDR.H
FORTRAN	ATBCTFOR in SYS1.SIEAHDR.H
PL/I	ATBCTPLI in SYS1.SIEAHDR.H
REXX	ATBCTREX in SYS1.SIEAHDR.H

Chapter 4. APPC/MVS Allocate Queue Services

Objective

This chapter provides the syntax, parameter descriptions, and return and reason codes for the APPC/MVS allocate queue callable services.

The services are:

- “Get_Event”
- “Query_Allocate_Queue” on page 4-6
- “Receive_Allocate” on page 4-11
- “Register_for_Allocates” on page 4-18
- “Set_Allocate_Queue_Attributes” on page 4-25
- “Set_Allocate_Queue_Notification” on page 4-29
- “Unregister_For_Allocates” on page 4-34.

Get_Event

APPC/MVS servers use the Get_Event service to retrieve the next event element from the server’s event queue.

Environment for Get_Event

The requirements for the caller are:

Minimum authorization:	Problem state, with any PSW key
Dispatchable unit mode:	Task or SRB
Cross memory mode:	Any PASN, any HASN, any SASN
AMODE:	31-bit
ASC mode:	Primary or access register (AR)
Interrupt status:	Enabled for I/O and external interrupts
Locks:	No locks held
Control parameters:	All parameters must be addressable by the caller and in the primary address space.

Restrictions

When using this service, observe the following restrictions:

- Programs can have only one outstanding call to the Get_Event service at a time. If a program attempts to call the Get_Event service while the program has another Get_Event call outstanding, APPC/MVS rejects the subsequent call.
- Programs that call the Get_Event service while in task mode should not have any enabled unlocked task (EUT) functional recovery routines (FRRs) established. For more information about EUT FRRs, see the section on providing recovery in *OS/390 MVS Authorized Assembler Services Guide*.

Input Register Information

Before calling the Get_Event service, the caller must ensure that the following GPRs contain the specified information:

Register	Contents
1	Address of the parameter list
13	Address of a standard 18-word save area

Get_Event

14	Return address
15	Entry point address of the service being called.

Before calling the Get_Event service, the caller must ensure that the following access registers (ARs) contain the specified information:

Register	Contents
1	0
13 - 15	0

Output Register Information

When control returns to the caller of the Get_Event service, the general purpose registers (GPRs) contain:

Register	Contents
0 - 1	Used as work registers by the system
2 - 14	Unchanged
15	Used as a work register by the system

When control returns to the caller of the Get_Event service, the access registers (ARs) contain:

Register	Contents
0 - 1	Used as work registers by the system
2 - 14	Unchanged
15	Used as a work register by the system

Some callers depend on register contents remaining the same before and after issuing a service. If the system changes the contents of registers on which the caller depends, the caller must save them before issuing the service, and restore them after the system returns control.

Syntax Format for Get_Event

The figure below shows the syntax of the CALL statement for the Get_Event service. You must code all parameters on the CALL statement in the order shown.

```
CALL ATBGTE2(  
    Notify_type,  
    Event_get_type  
    Event_code,  
    Event_timestamp,  
    Event_buffer_length,  
    Event_buffer,  
    Event_element_size,  
    Reason_code,  
    Return_code  
);
```

Figure 4-1. Syntax for Get_Event

Parameters for Get_Event

The following section describes the parameters you specify when calling the Get_Event service.

Notify_type

Supplied parameter

- Type: Structure
- Length: 4-8 bytes

Specifies the type of processing and notification (synchronous or asynchronous) requested for this service. The possible types are:

- None

No notification is requested. APPC/MVS processes this call synchronously, and returns control to the caller when processing is complete. APPC/MVS sets all returned parameters on return to the caller. To specify no notification, set this parameter to a four-byte structure that contains binary zeroes.

- ECB

Programs can request asynchronous processing by specifying an ECB to be posted when processing completes. To specify an ECB, set this parameter to an eight-byte structure that contains a fullword binary one (X'00000001'), followed by the address of a fullword area to be used as the ECB. The ECB must reside in the caller's home address space.

When you specify an ECB, APPC/MVS returns control to the caller before processing is complete, with only the return code set. If APPC/MVS accepts the asynchronous request, it sets the return code to 0 to show that it is processing the service asynchronously. APPC/MVS fills in the other returned parameters during asynchronous processing, and posts the specified ECB when it has set all the returned parameters. The completion code field in the ECB contains the return code for the service. APPC/MVS places the reason code, if any, in the server's reason_code parameter.

Event_get_type

Supplied parameter

- Type: Integer
- Length: 32 bits

Specifies whether the call is allowed to wait for a new event element to be added to the event queue, if the event queue currently contains no elements.

Valid values for this parameter are:

Value	Meaning
1	atbcts_immediate Control is to be returned to the caller immediately, regardless of whether an event element can be retrieved. If an event element is not immediately available, APPC/MVS sets return_code to 16 (atbcts_request_unsuccessful) and reason_code to 30 (atbcts_no_event_available).
2	atbcts_wait This call remains active until an event element can be retrieved, or the call is cancelled.

Event_code

Returned parameter

- Type: Integer
- Length: 32 bits

Contains a value that indicates which event has occurred.

Get_Event

Possible values returned for this parameter are:

Value	Meaning
1	atbcts_allocate_queue_min The allocate queue indicated in the event element has decreased to its minimum threshold.
2	atbcts_allocate_queue_max The allocate queue indicated in the event element has increased to its maximum threshold.

Event_timestamp

Returned parameter

- Type: Character string
- Char Set: N/A
- Length: 8 bytes

Contains a timestamp that shows when the event occurred. This timestamp is in the format provided by the STORE CLOCK (STCK) assembler instruction.

Event_buffer_length

Supplied parameter

- Type: Integer
- Length: 32 bits

Specifies the length, in bytes, of the event buffer (the event_buffer parameter) where the event element is to be placed.

Event_buffer

Supplied/Returned parameter

- Type: Character string
- Char Set: No restriction
- Length: Variable (specified in event_buffer_length parameter)

Specifies an area of storage where the event element is to be placed. The event buffer must reside in the caller's primary address space and be accessible to the caller's PSW key.

If the buffer you specify is large enough to contain the event element, APPC/MVS places the event element in this buffer on return to the caller. APPC/MVS sets the event_element_size parameter to the length of the storage used to contain the returned element.

If the buffer you specify is not large enough, APPC/MVS fails the Get_Event request with return code 16 (atbcts_request_unsuccessful) and reason code 41 (atbcts_buffer_too_small). APPC/MVS sets the event_element_size parameter to the length of storage it requires to satisfy this request. To retrieve the event element successfully, specify an event buffer equal to the event_element_size and call the Get_Event service again.

To determine whether the event was a minimum or maximum threshold, check the value returned in the event_code parameter. Table 4-1 on page 4-5 shows the contents of event_buffer, based on the event_code value:

Table 4-1. Relationship Between Event_code and Event_buffer

Event_code Value:	Event_buffer Contents:
1	The event buffer contains two fields (12 bytes): <ul style="list-style-type: none"> • Allocate_queue_token (character string - 8 bytes). Indicates the allocate queue for which this event applies. • Minimum queue size (integer - 32 bits). Indicates that the specified allocate queue decreased to this size.
2	The event buffer contains two fields (12 bytes): <ul style="list-style-type: none"> • Allocate_queue_token (character string - 8 bytes). Indicates the allocate queue for which this event applies. • Maximum queue size (integer - 32 bits). Indicates that the specified allocate queue increased to this size.

Event_element_size

Returned parameter

- Type: Integer
- Length: 32 bits

Contains the length of the event element that was retrieved, or the length that APPC/MVS requires to satisfy this request (if the call is unsuccessful).

To determine whether the request was successful, check the value in the return_code parameter, as follows:

- If return_code contains zero, the event_buffer parameter contains the event element. APPC/MVS sets event_element_size to the length of the event element that was returned.
- If return_code contains 16 (atbcts_request_unsuccessful), and reason_code contains 41 (atbcts_buffer_too_small), event_element_size contains the length required to satisfy the request. To retrieve the event element successfully, create a larger event buffer equal to this length and call the Get_Event service again.

Reason_code

Returned parameter

- Type: Integer
- Length: 32 bits

Contains additional information about the result of the call when the return_code parameter contains a non-zero value other than decimal 64 (atbcts_appc_not_available).

Table 4-2 on page 4-6 lists the valid reason codes.

Return_code

Returned parameter

- Type: Integer
- Length: 32 bits

Contains the result of the call. If the return_code parameter contains zero or decimal 64 (atbcts_appc_not_available), there is no reason code. For other return codes, check the reason_code parameter for additional information about the result of the call.

Table 4-2 on page 4-6 lists the valid return and reason codes for the Get_Event service.

Get_Event

Table 4-2. Return and Reason Codes for Get_Event

Return Code (Decimal)	Reason Code (Decimal)	Symbolic Value
0		atbcts_ok
8		atbcts_parameter_error
	18	atbcts_inval_notify_type
	37	atbcts_inval_event_get_type
16		atbcts_request_unsuccessful
	7	atbcts_parameter_inaccessible
	8	atbcts_cannot_hold_locks
	20	atbcts_request_cancelled
	30	atbcts_no_event_available
	31	atbcts_event_notify_cancelled
	32	atbcts_get_event_outstanding
	33	atbcts_notify_not_set
	41	atbcts_buffer_too_small
32		atbcts_service_failure
	16	atbcts_appc_service_failure
64		atbcts_appc_not_available

For more detailed information about these return codes and reason codes, refer to "Appendix B. Explanation of Return and Reason Codes" on page B-1.

Abend Codes for Get_Event

The caller might encounter abend X'EC7' with either of the reason codes shown below:

Table 4-3. Abend Codes for Get_Event

Abend Code (Hexadecimal)	Reason Code (Hexadecimal)	Description
X'EC7'	X'00140009'	The number of parameters specified is incorrect.
X'EC7'	X'0014000A'	APPC/MVS cannot access one or more of the specified parameters.

See *OS/390 MVS System Codes* for an explanation and response for these codes.

Query_Allocate_Queue

APPC/MVS servers use the Query_Allocate_Queue service to obtain commonly needed information about the status of an allocate queue for which the caller is registered.

Environment for Query_Allocate_Queue

The requirements for the caller are:

Minimum authorization: Problem state, with any PSW key
Dispatchable unit mode: Task or SRB
Cross memory mode: Any PASN, any HASN, any SASN

AMODE:	31-bit
ASC mode:	Primary or access register (AR)
Interrupt status:	Enabled for I/O and external interrupts
Locks:	No locks held
Control parameters:	All parameters must be addressable by the caller and in the primary address space.

Restrictions

Programs that call the Query_Allocate_Queue service while in task mode should not have any enabled unlocked task (EUT) functional recovery routines (FRRs) established. For more information about EUT FRRs, see the section on providing recovery in *OS/390 MVS Authorized Assembler Services Guide*.

Input Register Information

Before calling the Query_Allocate_Queue service, the caller must ensure that the following GPRs contain the specified information:

Register	Contents
1	Address of the parameter list
13	Address of a standard 18-word save area
14	Return address
15	Entry point address of the service being called.

Before calling the Query_Allocate_Queue service, the caller must ensure that the following access registers (ARs) contain the specified information:

Register	Contents
1	0
13 - 15	0

Output Register Information

When control returns to the caller of the Query_Allocate_Queue service, the general purpose registers (GPRs) contain:

Register	Contents
0 - 1	Used as work registers by the system
2 - 14	Unchanged
15	Used as a work register by the system

When control returns to the caller of the Query_Allocate_Queue service, the access registers (ARs) contain:

Register	Contents
0 - 1	Used as work registers by the system
2 - 14	Unchanged
15	Used as a work register by the system

Some callers depend on register contents remaining the same before and after issuing a service. If the system changes the contents of registers on which the caller depends, the caller must save them before issuing the service, and restore them after the system returns control.

Query_Allocate_Queue

Syntax Format for Query_Allocate_Queue

The figure below shows the syntax of the CALL statement for the Query_Allocate_Queue service. You must code all parameters on the CALL statement in the order shown.

```
CALL ATBQAQ2(  
    Notify_type,  
    Allocate_queue_token,  
    TP_name_length,  
    TP_name,  
    Local_LU_name,  
    Allocate_queue_size,  
    Allocate_queue_oldest,  
    Last_rec_alloc_issued  
    Last_rec_alloc_returned  
    Reason_code,  
    Return_code  
);
```

Figure 4-2. Syntax for Query_Allocate_Queue

Parameters for Query_Allocate_Queue

The following section describes the parameters you specify when calling the Query_Allocate_Queue service.

Notify_type

Supplied parameter

- Type: Structure
- Length: 4-8 bytes

Specifies the type of processing and notification (synchronous or asynchronous) requested for this service. The possible types are:

- None

No notification is requested. APPC/MVS processes this call synchronously, and returns control to the caller when processing is complete. APPC/MVS sets all returned parameters on return to the caller. To specify no notification, set this parameter to a four-byte structure that contains binary zeroes.

- ECB

Programs can request asynchronous processing by specifying an ECB to be posted when processing completes. To specify an ECB, set this parameter to an eight-byte structure that contains a fullword binary one (X'00000001'), followed by the address of a fullword area to be used as the ECB. The ECB must reside in the caller's home address space.

When you specify an ECB, APPC/MVS returns control to the caller before processing is complete, with only the return code set. If APPC/MVS accepts the asynchronous request, it sets the return code to 0 to show that it is processing the service asynchronously. APPC/MVS fills in the other returned parameters during asynchronous processing, and posts the specified ECB when it has set all the returned parameters. The completion code field in the ECB contains the return code for the service. APPC/MVS places the reason code, if any, in the server's reason_code parameter.

Allocate_queue_token

Supplied parameter

- Type: Character string

- Length: 8 bytes

Specifies the allocate queue token that indicates the particular allocate queue on which the query is to be performed. (The allocate queue token is returned as output from a successful call to the Register_For_Allocates service.)

TP_name_length

Returned parameter

- Type: Integer
- Length: 32 bits
- Range: 1-64

Specifies the length of the data contained in the TP_name parameter.

TP_name

Returned parameter

- Type: Character string
- Char Set: 00640 or Type A (Type A if the TP is protected by RACF)
- Length: 1 - 64 bytes

Contains the TP name specified on the Register_For_Allocates call for this allocate queue.

Local_LU_name

Returned parameter

- Type: Character string
- Char Set: Type A
- Length: 8 bytes

Contains the name of the local LU associated with the allocate requests in the allocate queue.

Allocate_queue_size

Returned parameter

- Type: Integer
- Length: 32 bits

Contains the number of allocate requests that currently reside on the specified allocate queue.

Allocate_queue_oldest

Returned parameter

- Type: Integer
- Length: 32 bits

Contains the age (in seconds) of the oldest allocate request on the allocate queue.

Last_rec_alloc_issued

Returned parameter

- Type: Character
- Char Set: N/A
- Length: 8 bytes

Contains a timestamp that shows when the caller last called the Receive_Allocate service.

The time is in the format provided by the STORE CLOCK (STCK) assembler instruction.

Query_Allocate_Queue

If the caller has not called the Receive_Allocate service for the specified allocate queue, the system sets this parameter to binary zeroes.

Last_rec_alloc_returned

Returned parameter

- Type: Character
- Char Set: N/A
- Length: 8 bytes

Contains a timestamp that shows when the Receive_Allocate service most recently returned control to the caller for the specified allocate queue (regardless of whether the call successfully returned an allocate request).

The time is in the format provided by the STORE CLOCK (STCK) assembler instruction.

If the Receive_Allocate service has not yet returned control to the caller for the specified allocate queue, the system sets this parameter to binary zeroes.

Reason_code

Returned parameter

- Type: Integer
- Length: 32 bits

Contains additional information about the result of the call when the return_code parameter contains a non-zero value other than decimal 64 (atbcts_appc_not_available).

Table 4-4 lists the valid reason codes.

Return_code

Returned parameter

- Type: Integer
- Length: 32 bits

Contains the result of the call. If the return_code parameter contains zero or decimal 64 (atbcts_appc_not_available), there is no reason code. For other return codes, check the reason_code parameter for additional information about the result of the call.

Table 4-4 lists the valid return and reason codes for the Query_Allocate_Queue service.

Table 4-4. Return and Reason Codes for Query_Allocate_Queue

Return Code (Decimal)	Reason Code (Decimal)	Symbolic Value
0		atbcts_ok
8		atbcts_parameter_error
	17	atbcts_inval_alloc_queue_token
	18	atbcts_inval_notify_type
16		atbcts_request_unsuccessful
	7	atbcts_parameter_inaccessible
	8	atbcts_cannot_hold_locks
	20	atbcts_request_cancelled

Table 4-4. Return and Reason Codes for Query_Allocate_Queue (continued)

Return Code (Decimal)	Reason Code (Decimal)	Symbolic Value
32		atbcts_service_failure
	16	atbcts_appc_service_failure
64		atbcts_appc_not_available

For more detailed information about these return codes and reason codes, see “Appendix B. Explanation of Return and Reason Codes” on page B-1.

Abend Codes for Query_Allocate_Queue

The caller might encounter abend X'EC7' with either of the reason codes shown below:

Table 4-5. Abend Codes for Query_Allocate_Queue

Abend Code (Hexadecimal)	Reason Code (Hexadecimal)	Description
X'EC7'	X'0014000B'	The number of parameters specified is incorrect.
X'EC7'	X'0014000C'	APPC/MVS cannot access one or more of the specified parameters.

See *OS/390 MVS System Codes* for an explanation and response for these codes.

Receive_Allocate

APPC/MVS servers use the Receive_Allocate service to retrieve the oldest allocate request from a particular allocate queue. Note that servers use the Receive_Allocate service, instead of the Accept_Conversation or Get_Conversation calls, which are commonly used by scheduled transaction programs, to receive inbound conversations.

Environment for Receive_Allocate

The requirements for the caller are:

Minimum authorization:	Problem state, with any PSW key
Dispatchable unit mode:	Task or SRB
Cross memory mode:	Any PASN, any HASN, any SASN
AMODE:	31-bit
ASC mode:	Primary or access register (AR)
Interrupt status:	Enabled for I/O and external interrupts
Locks:	No locks held
Control parameters:	All parameters must be addressable by the caller and in the primary address space.

Restrictions

Programs that call the Receive_Allocate service while in task mode should not have any enabled unlocked task (EUT) functional recovery routines (FRRs) established. For more information about EUT FRRs, see the section on providing recovery in *OS/390 MVS Authorized Assembler Services Guide*.

Receive_Allocate

Input Register Information

Before calling the Receive_Allocate service, the caller must ensure that the following GPRs contain the specified information:

Register	Contents
1	Address of the parameter list
13	Address of a standard 18-word save area
14	Return address
15	Entry point address of the service being called.

Before calling the Receive_Allocate service, the caller must ensure that the following access registers (ARs) contain the specified information:

Register	Contents
1	0
13 - 15	0

Output Register Information

When control returns to the caller of the Receive_Allocate service, the general purpose registers (GPRs) contain:

Register	Contents
0 - 1	Used as work registers by the system
2 - 14	Unchanged
15	Used as a work register by the system

When control returns to the caller of the Receive_Allocate service, the access registers (ARs) contain:

Register	Contents
0 - 1	Used as work registers by the system
2 - 14	Unchanged
15	Used as a work register by the system

Some callers depend on register contents remaining the same before and after issuing a service. If the system changes the contents of registers on which the caller depends, the caller must save them before issuing the service, and restore them after the system returns control.

Syntax Format for Receive_Allocate

The figure below shows the syntax of the CALL statement for the Receive_Allocate service. You must code all parameters on the CALL statement in the order shown.

```
CALL ATBRAL2(
    Notify_type,
    Allocate_queue_token,
    Receive_allocate_type,
    Time_out_value,
    Conversation_ID,
    Conversation_type,
    Partner_LU_name,
    Mode_name,
    Sync_level,
    User_ID,
    Profile,
    Reason_code,
    Return_code
);
```

Figure 4-3. Syntax for Receive_Allocate

Parameters for Receive_Allocate

The following section describes the parameters you specify when calling the Receive_Allocate service.

Notify_type

Supplied parameter

- Type: Structure
- Length: 4-8 bytes

Specifies the type of processing and notification (synchronous or asynchronous) requested for this service. The possible types are:

- None

No notification is requested. APPC/MVS processes this call synchronously, and returns control to the caller when processing is complete. APPC/MVS sets all returned parameters on return to the caller. To specify no notification, set this parameter to a four-byte structure that contains binary zeroes.

- ECB

Programs can request asynchronous processing by specifying an ECB to be posted when processing completes. To specify an ECB, set this parameter to an eight-byte structure that contains a fullword binary one (X'00000001'), followed by the address of a fullword area to be used as the ECB. The ECB must reside in the caller's home address space.

When you specify an ECB, APPC/MVS returns control to the caller before processing is complete, with only the return code set. If APPC/MVS accepts the asynchronous request, it sets the return code to 0 to show that it is processing the service asynchronously. APPC/MVS fills in the other returned parameters during asynchronous processing, and posts the specified ECB when it has set all the returned parameters. The completion code field in the ECB contains the return code for the service. APPC/MVS places the reason code, if any, in the server's reason_code parameter.

Allocate_queue_token

Supplied parameter

- Type: Character string
- Length: 8 bytes

Receive_Allocate

Specifies the allocate queue token that indicates the particular allocate queue from which the allocate request is to be received. (The allocate queue token is returned as output from a successful call to the Register_For_Allocates service.)

Receive_allocate_type

Supplied parameter

- Type: Integer
- Length: 32 bits

Specifies whether the caller is allowed to wait to receive an allocate request if one is not immediately available (such as when the allocate queue is empty) and, if so, for how long.

Valid values for this parameter are:

Value	Meaning
1	atbcts_immediate Control is to be returned to the caller immediately, regardless of whether an allocate request can be received. If an allocate request is not immediately available, APPC/MVS sets the return_code parameter to return code 16 (atbcts_request_unsuccessful) and the reason_code parameter to reason code 21 (atbcts_no_alloc_to_receive).
2	atbcts_wait The call to this service does not complete until an allocate request is received.
3	atbcts_timed This call does not complete until an allocate request is received, or the time specified in the timeout_value parameter is exceeded. If no allocate request is available before the timeout value is exceeded, APPC/MVS sets the return_code parameter to return code 16 (atbcts_request_unsuccessful) and the reason_code parameter to reason code 21 (atbcts_no_alloc_to_receive).

Set this parameter with the notify_type and time_out_value parameters, as follows:

- Notify_type specifies synchronous and asynchronous processing for this call. (For the results of specifying the receive_allocate_type parameter with the notify_type parameter, see Table 2-3 on page 2-8.)
- When the call is to wait a specified amount of time for an inbound allocate to become available, specify the amount of time (in seconds) on the time_out_value parameter.

Time_out_value

Supplied parameter

- Type: Integer
- Length: 32 bits
- Range: 0 - 1,000,000

Specifies, in seconds, the maximum amount of time the caller is allowed to wait to receive an allocate request, if one is not immediately available (because the allocate queue is empty).

The `time_out_value` parameter is used only when the caller sets the `receive_allocate_type` parameter to `atbcts_timed`. Otherwise, this parameter has no meaning and is ignored after APPC/MVS checks it to see that it contains a valid value. Set this parameter to zero if you are not using it.

Conversation_ID

Returned parameter

- Type: Character string
- Char Set: No restriction
- Length: 8 bytes

Contains, on return to the caller, the `conversation_ID` of the conversation that was received. The `conversation_id`, sometimes called the resource identifier, identifies a conversation to the system. The caller uses the conversation ID to hold subsequent APPC communications with the client transaction program.

Conversation_type

Returned parameter

- Type: Integer
- Length: 32 bits

Contains the type of conversation that was received.

Valid values for this parameter are:

Value	Meaning
0	Basic_conversation In this conversation, the caller and its partner program are to format their data into separate records, with record length and data specified, before sending it.
1	Mapped_conversation In this conversation, the caller and its partner are to rely on APPC to format the data they send.

Partner_LU_name

Returned parameter

- Type: Character string
- Char Set: Type A
- Length: 17 bytes, padded with blanks and left justified.

Contains the name of the LU at which the partner program is located. This value is the combined `network_ID` and network LU name (two 1-8 byte Type A character strings, concatenated by a period: *network_ID.network_LU_name*). This format is known as a **network-qualified LU name**. When VTAM is not active, the `network_ID` is not defined and only the network LU name is returned to the caller.

If the partner LU is a member of a VTAM generic resource group, the network-LU-name portion of the partner LU name might be a generic resource name.

Mode_name

Returned parameter

- Type: Character string
- Char Set: Type A
- Length: 8 bytes

Receive_Allocate

Contains the mode name that specifies the network properties of the session allocated for this conversation.

Sync_level

Returned parameter

- Type: Integer
- Length: 32 bits

Contains the synchronization level that the caller and its partner program are to use on this conversation.

Valid values for this parameter are:

Value	Meaning
0	None The programs will not perform confirmation processing on this conversation.
1	Confirm The programs can perform confirmation processing on this conversation. The programs will recognize returned parameters relating to confirmation.
2	Syncpt The programs can perform syncpoint processing on this conversation. The programs may issue Commit or Backout calls and will recognize returned parameters related to this syncpoint processing.

User_ID

Returned parameter

- Type: Character string
- Char Set: Type A
- Length: 8 bytes

Contains the user ID that is associated with the received conversation. If no user ID is associated with the conversation, this parameter contains blanks.

Profile

Returned parameter

- Type: Character string
- Char Set: Type A
- Length: 8 bytes

Contains the RACF group name associated with the conversation.

If APPC/MVS does not return a value for this parameter, and does return a value for the user_id parameter, APPC/MVS used a default RACF profile for the user ID. If neither a profile nor a user ID is returned, or there is no security environment established, no security profile is associated with the conversation and this parameter contains blanks.

Reason_code

Returned parameter

- Type: Integer
- Length: 32 bits

Receive_Allocate

Contains additional information about the result of the call when the return_code parameter contains a non-zero value other than decimal 64 (atbcts_appc_not_available).

Table 4-6 lists the valid reason codes.

Return_code

Returned parameter

- Type: Integer
- Length: 32 bits

Contains the result of the call. If the return_code parameter contains zero or decimal 64 (atbcts_appc_not_available), there is no reason code. For other return codes, check the reason_code parameter for additional information about the result of the call.

Table 4-6 lists the valid return and reason codes for the Receive_Allocate service.

Table 4-6. Return and Reason Codes for Receive_Allocate

Return Code (Decimal)	Reason Code (Decimal)	Symbolic Value
0		atbcts_ok
8		atbcts_parameter_error
	17	atbcts_inval_alloc_queue_token
	18	atbcts_inval_notify_type
	19	atbcts_inval_timeout_value
	38	atbcts_inval_receive_allc_type
16		atbcts_request_unsuccessful
	7	atbcts_parameter_inaccessible
	8	atbcts_cannot_hold_locks
	20	atbcts_request_cancelled
	21	atbcts_no_alloc_to_receive
	44	atbcts_luwid_already_associated
	45	atbcts_sync_point_manager_error
32		atbcts_service_failure
	16	atbcts_appc_service_failure
64		atbcts_appc_not_available

For more detailed information about these return codes and reason codes, see "Appendix B. Explanation of Return and Reason Codes" on page B-1.

Abend Codes for Receive_Allocate

The caller might encounter abend X'EC7' with either of the reason codes shown below:

Receive_Allocate

Table 4-7. Abend Codes for Receive_Allocate

Abend Code (Hexadecimal)	Reason Code (Hexadecimal)	Description
X'EC7'	X'00140003'	The number of parameters specified is incorrect.
X'EC7'	X'00140004'	APPC/MVS cannot access one or more of the specified parameters.

See *OS/390 MVS System Codes* for an explanation and response for these codes.

Register_for_Allocates

An application program calls the Register_For_Allocates service to indicate which inbound allocate requests are to be directed to it, rather than scheduled by an APPC/MVS transaction scheduler. The program is considered to be an APPC/MVS server on the successful completion of the Register_For_Allocates service.

Environment for Register_For_Allocates

The requirements for the caller are:

Minimum authorization:	Problem state, with any PSW key
Dispatchable unit mode:	Task or SRB
Cross memory mode:	Any PASN, any HASN, any SASN
AMODE:	31-bit
ASC mode:	Primary or access register (AR)
Interrupt status:	Enabled for I/O and external interrupts
Locks:	No locks held
Control parameters:	All parameters must be addressable by the caller and in the primary address space.

Restrictions

Programs that call the Register_For_Allocates service while in task mode should not have any enabled unlocked task (EUT) functional recovery routines (FRRs) established. For more information about EUT FRRs, see the section on providing recovery in *OS/390 MVS Authorized Assembler Services Guide*.

Input Register Information

Before calling the Register_For_Allocates service, the caller must ensure that the following GPRs contain the specified information:

Register	Contents
1	Address of the parameter list
13	Address of a standard 18-word save area
14	Return address
15	Entry point address of the service being called.

Before calling the Register_For_Allocates service, the caller must ensure that the following access registers (ARs) contain the specified information:

Register	Contents
1	0
13 - 15	0

Output Register Information

When control returns to the caller of the Register_For_Allocates service, the general purpose registers (GPRs) contain:

Register	Contents
0 - 1	Used as work registers by the system
2 - 14	Unchanged
15	Used as a work register by the system

When control returns to the caller of the Register_For_Allocates service, the access registers (ARs) contain:

Register	Contents
0 - 1	Used as work registers by the system
2 - 14	Unchanged
15	Used as a work register by the system

Some callers depend on register contents remaining the same before and after issuing a service. If the system changes the contents of registers on which the caller depends, the caller must save them before issuing the service, and restore them after the system returns control.

Syntax Format for Register_For_Allocates

The figure below shows the syntax of the CALL statement for the Register_For_Allocates service. You must code all parameters on the CALL statement in the order shown.

```
CALL ATBRFA2(
    Notify_type,
    Sym_dest_name,
    TP_name_length,
    TP_name,
    Local_LU_name,
    Partner_LU_name,
    User_ID,
    Profile,
    Allocate_Queue-Token,
    Reason_code,
    Return_code
);
```

Figure 4-4. Syntax for Register_For_Allocates

Parameters for Register_For_Allocates

The following section describes the parameters you specify when calling the Register_For_Allocates service.

Notify_type

- Supplied parameter
- Type: Structure
- Length: 4-8 bytes

Specifies the type of processing and notification (synchronous or asynchronous) requested for this service. The possible types are:

- None

Register_for_Allocates

No notification is requested. APPC/MVS processes this call synchronously, and returns control to the caller when processing is complete. APPC/MVS sets all returned parameters on return to the caller. To specify no notification, set this parameter to a four-byte structure that contains binary zeroes.

- ECB

Programs can request asynchronous processing by specifying an ECB to be posted when processing completes. To specify an ECB, set this parameter to an eight-byte structure that contains a fullword binary one (X'00000001'), followed by the address of a fullword area to be used as the ECB. The ECB must reside in the caller's home address space.

When you specify an ECB, APPC/MVS returns control to the caller before processing is complete, with only the return code set. If APPC/MVS accepts the asynchronous request, it sets the return code to 0 to show that it is processing the service asynchronously. APPC/MVS fills in the other returned parameters during asynchronous processing, and posts the specified ECB when it has set all the returned parameters. The completion code field in the ECB contains the return code for the service. APPC/MVS places the reason code, if any, in the server's reason_code parameter.

Sym_dest_name

Supplied parameter

- Type: Character string
- Char Set: 01134
- Length: 8 bytes (left justified, padded with blanks)

Specifies a symbolic destination name that represents the transaction program and local LU for which you are registering. This parameter, if used, must contain a value that matches a symbolic destination name defined in the active side information data set. APPC/MVS obtains the TP name and local LU name from the side information data set (the mode name, which is also contained in the side information, is ignored).

To omit a symbolic destination name, set the sym_dest_name parameter value to 8 blanks and specify values for the local_LU_name, TP_name, and TP_name_length parameters.

If you specify a symbolic destination name, APPC/MVS obtains the local LU name from the PARTNER_LU keyword value in the symbolic destination entry. If the LU name specified in the symbolic destination entry is network-qualified (includes both the network ID and network LU name), APPC/MVS uses only the network-LU-name portion for the local LU name. If the keyword value is a VTAM generic resource name, this service fails with return code 16 (atbcts_request_unsuccessful) and reason code 12 (atbcts_inval_local_lu). If both the local_LU_name parameter and the LU name in the symbolic destination entry is blank, this service fails with return code 8 (atbcts_parameter_error), and reason code 5 (atbcts_local_lu_not_specified).

If the local LU name is obtained from the side information data set and the LU name is a network-qualified LU name, APPC/MVS ensures that the netid in the symbolic destination name is the local netid. If not, the Register_For_Allocates service returns return code 4 (atbcts_warning) and reason code 28 (atbcts_netid_does_not_match). If VTAM is not active and therefore APPC/MVS cannot determine whether the netid is valid, the Register_For_Allocates service returns return code 4 (atbcts_warning) and reason code 39 (atbcts_cannot_determine_netid). Both of these codes are warnings only; APPC/MVS continues to process the call to the Register_For_Allocates service.

Register_for_Allocates

If you also specify values for the local_LU_name or the TP_name/TP_name_length parameters, these values override any obtained from the side information data set.

If you specify a symbolic destination name that does not match an entry in the side information data set, the Register_For_Allocates service returns control with return code 16 (atbcts_request_unsuccessful) and reason code 11 (atbcts_sym_dest_name_unknown).

TP_name_length

Supplied parameter

- Type: Integer
- Length: 32 bits
- Range: 0-64

Specifies the length of data contained in the TP_name parameter.

If you specify a symbolic destination name in the sym_dest_name parameter, set TP_name_length to 0 to use the TP name from the side information data set.

TP_name

Supplied parameter

- Type: Character string
- Char Set: 00640 or Type A (Type A if the TP is protected by RACF)
- Length: 1 - 64 bytes

Specifies the name of transaction program that was targeted by the client TP's allocate request. This name must match the name that the client TP specified in the TP_name parameter of the Allocate service.

If you specify a symbolic destination name in the sym_dest_name parameter, set TP_name to 0 to use the TP name from the side information data set.

You can specify a SNA service transaction program name in this parameter.

If the TP is to be protected by a RACF security profile in the APPCTP class or the APPCSERV class, the TP name must consist of Type A characters only. See "Appendix A. Character Sets" on page A-1 for a list of Type A characters.

Local_LU_name

Supplied parameter

- Type: Character string
- Char Set: Type A
- Length: 8 bytes (left justified, padded on right with blanks)

Specifies the name of the LU at which the transaction program specified in the TP_name parameter resides. The local LU name must match the name of the LU that the client TP specified on its allocate call (in the partner_LU_name parameter).

If you specify a symbolic destination name in the sym_dest_name parameter, set local_LU_name to 8 blanks to use the value for the PARTNER_LU keyword in the side information entry. The keyword value cannot be a VTAM generic resource name, or this service fails.

Partner_LU_name

Supplied parameter

Register_for_Allocates

- Type: Character string
- Char Set: Type A
- Length: 17 bytes (left justified, padded on right with blanks)

Specifies the name of the LU from which the client TP's allocate request originated. The client TP might have specified this LU on its allocate request, or have used the default local LU (by setting the `local_LU_name` parameter of the Allocate service to blanks). The local LU transforms this locally known LU name to an LU name used by the network. (For more information about the `local_LU_name` parameter of the Allocate service, see *OS/390 MVS Writing TPs for APPC/MVS*.)

The `partner_LU_name` parameter can contain one of the following values:

- LU name only (1-8 byte Type A character string).
This string represents the network LU name, which, if unique within the network and interconnected networks, is sufficient for most TP communications.
Inbound allocate requests from any LU with the network LU name specified on the call to the Register_For_Allocates service can be placed on this allocate queue. APPC/MVS, however, will first check to see if there are any allocate queues with a matching network-qualified partner LU name.
- A VTAM generic resource name.
If the partner LU is a member of a generic resource group, you may specify the 1- to 8-byte generic resource name of the group.
- Combined network ID and network LU name (two 1-8 byte Type A character strings, concatenated by a period: *network_ID.network_LU_name*). This format is known as a **network-qualified LU name**; each LU in the network and all interconnected networks can be uniquely identified by its network-qualified LU name.
The network-LU-name portion of a network-qualified name may be a VTAM generic resource name.
If the network-qualified LU name is specified, both the network ID and the network LU name on the inbound allocate request will have to match the value specified on the Register_For_Allocates call to be placed on the allocate queue. If VTAM is inactive, APPC/MVS is unable to determine the network ID, therefore no inbound allocate requests will be placed on an allocate queue that has a network-qualified partner LU name. When an inbound allocate request enters the system, APPC/MVS first checks for a match with the network-qualified LU name and then just the network LU name.
- Blank:
A blank value for the `partner_LU_name` parameter indicates that allocate requests from any partner LU are to be accepted.

Table 4-8 on page 4-23 shows whether the partner LU name specified on a call to Register_For_Allocates will successfully match the LU associated with the inbound request:

Table 4-8. How APPC/MVS Handles Partner LU Name Specifications

Register_For_Allocates specifies...	LU of the inbound request...		
	netid.LUNAME	net2.LUNAME	LUNAME
LUNAME	Match	Match	Match
netid.LUNAME	Match	No Match	No Match
net2.LUNAME	No Match	Match	No Match

User_ID

Supplied parameter

- Type: Character string
- Char Set: Type A
- Length: 8 bytes (left justified, padded on right with blanks)

Specifies the user ID associated with the inbound allocate requests to be served.

A blank value for the user_ID parameter indicates that allocate requests from any user ID are to be accepted.

Note that APPC/MVS does not ensure that the specified user ID is a member of the security profile specified in the profile parameter. The server must perform this check itself, if needed.

Profile

Supplied parameter

- Type: Character string
- Char Set: Type A
- Length: 8 bytes (left justified, padded on right with blanks)

Specifies the security profile associated with the inbound allocate requests to be served. APPC/MVS treats the profile name as a RACF group name.

A blank value for the profile parameter indicates that allocate requests from any security profile are to be accepted.

APPC/MVS compares this profile with the profile that flows in with the allocate request, or with the user ID's default profile, if no profile flows in with the allocate request.

Allocate_queue_token

Returned parameter

- Type: Character string
- Length: 8 bytes

Returns the allocate queue token, which uniquely identifies an allocate queue. Use the allocate queue token on later calls to APPC/MVS allocate queue services to indicate the particular allocate queue on which a requested function is to be performed.

This field contains a valid token only when the return code from this service is either 0 or 4 (atbcts_warning).

Reason_code

Returned parameter

- Type: Integer
- Length: 32 bits

Register_for_Allocates

Contains additional information about the result of the call when the return_code parameter contains a non-zero value other than decimal 64 (atbcts_appc_not_available).

Table 4-9 lists the valid reason codes.

Return_code

Returned parameter

- Type: Integer
- Length: 32 bits

Contains the result of the call. If the return_code parameter contains zero or decimal 64 (atbcts_appc_not_available), there is no reason code. For other return codes, check the reason_code parameter for additional information about the result of the call.

Table 4-9 lists the valid return and reason codes for the Register_For_Allocates service.

Table 4-9. Return and Reason Codes for Register_For_Allocates

Return Code (Decimal)	Reason Code (Decimal)	Symbolic Value
0		atbcts_ok
4		atbcts_warning
	1	atbcts_already_registered
	28	atbcts_netid_does_not_match
	39	atbcts_cannot_determine_netid
8		atbcts_parameter_error
	2	atbcts_tp_name_not_specified
	3	atbcts_inval_tp_name
	4	atbcts_inval_tp_name_length
	5	atbcts_local_lu_not_specified
	18	atbcts_inval_notify_type
	43	atbcts_inval_partner_lu
16		atbcts_request_unsuccessful
	7	atbcts_parameter_inaccessible
	8	atbcts_cannot_hold_locks
	10	atbcts_sched_cant_register
	11	atbcts_sym_dest_name_unknown
	12	atbcts_inval_local_lu
	13	atbcts_lu_not_receiving
	14	atbcts_not_auth_to_serve_tp
	15	atbcts_not_auth_to_local_lu
	20	atbcts_request_cancelled
32		atbcts_service_failure
	16	atbcts_appc_service_failure
64		atbcts_appc_not_available

For more detailed information about these return and reason codes, see “Appendix B. Explanation of Return and Reason Codes” on page B-1.

Abend Codes for Register_For_Allocates

The caller might encounter abend X'EC7' with either of the reason codes shown below:

Table 4-10. Abend Codes for Register_For_Allocates

Abend Code (Hexadecimal)	Reason Code (Hexadecimal)	Meaning
X'EC7'	X'00140001'	The number of parameters specified is incorrect.
X'EC7'	X'00140002'	APPC/MVS cannot access one or more of the specified parameters.

See *OS/390 MVS System Codes* for an explanation and response for these codes.

Set_Allocate_Queue_Attributes

APPC/MVS servers use the Set_Allocate_Queue_Attributes service to specify whether APPC/MVS is to preserve an allocate queue during periods of time when no servers are registered for the queue. This service allows the caller to stop serving an allocate queue for some interval of time, and then resume serving the queue without interrupting the flow of inbound allocate requests.

Environment for Set_Allocate_Queue_Attributes

The requirements for the caller are:

Minimum authorization:	Problem state, with any PSW key
Dispatchable unit mode:	Task or SRB
Cross memory mode:	Any PASN, any HASN, any SASN
AMODE:	31-bit
ASC mode:	Primary or access register (AR)
Interrupt status:	Enabled for I/O and external interrupts
Locks:	No locks held
Control parameters:	All parameters must be addressable by the caller and in the primary address space.

Restrictions

Programs that call the Set_Allocate_Queue_Attributes service while in task mode should not have any enabled unlocked task (EUT) functional recovery routines (FRRs) established. For more information about EUT FRRs, see the section on providing recovery in *OS/390 MVS Authorized Assembler Services Guide*.

Input Register Information

Before calling the Set_Allocate_Queue_Attributes service, the caller must ensure that the following GPRs contain the specified information:

Register	Contents
1	Address of the parameter list
13	Address of a standard 18-word save area
14	Return address
15	Entry point address of the service being called.

Set_Allocate_Queue_Attributes

Before calling the Set_Allocate_Queue_Attributes service, the caller must ensure that the following access registers (ARs) contain the specified information:

Register	Contents
1	0
13 - 15	0

Output Register Information

When control returns to the caller of the Set_Allocate_Queue_Attributes service, the general purpose registers (GPRs) contain:

Register	Contents
0 - 1	Used as work registers by the system
2 - 14	Unchanged
15	Used as a work register by the system

When control returns to the caller of the Set_Allocate_Queue_Attributes service, the access registers (ARs) contain:

Register	Contents
0 - 1	Used as work registers by the system
2 - 14	Unchanged
15	Used as a work register by the system

Some callers depend on register contents remaining the same before and after issuing a service. If the system changes the contents of registers on which the caller depends, the caller must save them before issuing the service, and restore them after the system returns control.

Syntax Format for Set_Allocate_Queue_Attributes

The figure below shows the syntax of the CALL statement for the Set_Allocate_Queue_Attributes service. You must code all parameters on the CALL statement in the order shown.

```
CALL ATBSAQ2(  
    Notify_type,  
    Allocate_queue_token,  
    Allocate_queue_keep_time,  
    Reason_code,  
    Return_code  
);
```

Figure 4-5. Syntax for Set_Allocate_Queue_Attributes

Parameters for Set_Allocate_Queue_Attributes

The following section describes the parameters you specify when calling the Set_Allocate_Queue_Attributes service.

Notify_type

- Supplied parameter
- Type: Structure
 - Length: 4-8 bytes

Specifies the type of processing and notification (synchronous or asynchronous) requested for this service. The possible types are:

Set_Allocate_Queue_Attributes

- None

No notification is requested. APPC/MVS processes this call synchronously, and returns control to the caller when processing is complete. APPC/MVS sets all returned parameters on return to the caller. To specify no notification, set this parameter to a four-byte structure that contains binary zeroes.

- ECB

Programs can request asynchronous processing by specifying an ECB to be posted when processing completes. To specify an ECB, set this parameter to an eight-byte structure that contains a fullword binary one (X'00000001'), followed by the address of a fullword area to be used as the ECB. The ECB must reside in the caller's home address space.

When you specify an ECB, APPC/MVS returns control to the caller before processing is complete, with only the return code set. If APPC/MVS accepts the asynchronous request, it sets the return code to 0 to show that it is processing the service asynchronously. APPC/MVS fills in the other returned parameters during asynchronous processing, and posts the specified ECB when it has set all the returned parameters. The completion code field in the ECB contains the return code for the service. APPC/MVS places the reason code, if any, in the server's reason_code parameter.

Allocate_queue_token

Supplied parameter

- Type: Character string
- Length: 8 bytes

Specifies the allocate queue token that indicates the particular allocate queue for which the caller wants to set attributes. (The allocate queue token is returned as output from a successful call to the Register_For_Allocates service.)

Allocate_queue_keep_time

Supplied parameter

- Type: Integer
- Length: 32 bits
- Range: 0 - 3600

Specifies, in seconds, the amount of time APPC/MVS is to maintain the specified allocate queue during periods when no servers are registered for the queue. This time takes effect when the last server of the allocate queue calls the Unregister_For_Allocates service to stop serving the queue. If no server registers for the allocate queue before this time limit is exceeded, APPC/MVS rejects any allocate requests that reside on the allocate queue.

To have no keep time in effect for the allocate queue, set this parameter to zero (or do not call this service).

If you specify an allocate queue keep time that is outside the accepted range (0 to 3600 seconds), the Set_Allocate_Queue_Attributes service returns control with the reason_code parameter set to 8 (atbcts_parameter_error) and the reason_code parameter set to 34 (atbcts_inval_queue_keep_time).

Reason_code

Returned parameter

- Type: Integer
- Length: 32 bits

Set_Allocate_Queue_Attributes

Contains additional information about the result of the call when the return_code parameter contains a non-zero value other than decimal 64 (atbcts_appc_not_available).

Table 4-11 lists the valid reason codes.

Return_code

Returned parameter

- Type: Integer
- Length: 32 bits

Contains the result of the call. If the return_code parameter contains zero or decimal 64 (atbcts_appc_not_available), there is no reason code. For other return codes, check the reason_code parameter for additional information about the result of the call.

Table 4-11 lists the valid return and reason codes for the Set_Allocate_Queue_Attributes service.

Table 4-11. Return and Reason Codes for Set_Allocate_Queue_Attributes

Return Code (Decimal)	Reason Code (Decimal)	Symbolic Value
0		atbcts_ok
8		atbcts_parameter_error
	17	atbcts_inval_alloc_queue_token
	18	atbcts_inval_notify_type
	34	atbcts_inval_queue_keep_time
16		atbcts_request_unsuccessful
	8	atbcts_cannot_hold_locks
	20	atbcts_request_cancelled
32		atbcts_service_failure
	16	atbcts_appc_service_failure
64		atbcts_appc_not_available

For more detailed information about these return codes and reason codes, see "Appendix B. Explanation of Return and Reason Codes" on page B-1.

Abend Codes for Set_Allocate_Queue_Attributes

The caller might encounter abend X'EC7' with either of the reason codes shown below:

Table 4-12. Abend Codes for Set_Allocate_Queue_Attributes

Abend Code (Hexadecimal)	Reason Code (Hexadecimal)	Description
X'EC7'	X'0014000D'	The number of parameters specified is incorrect.
X'EC7'	X'0014000E'	APPC/MVS cannot access one or more of the specified parameters.

See *OS/390 MVS System Codes* for an explanation and response for these codes.

Set_Allocate_Queue_Notification

APPC/MVS servers use the Set_Allocate_Queue_Notification service to request to be notified when an allocate queue reaches a specified maximum or minimum number of inbound allocate requests (or to cancel a previous request for such notification).

Environment for Set_Allocate_Queue_Notification

The requirements for the caller are:

Minimum authorization:	Problem state, with any PSW key
Dispatchable unit mode:	Task or SRB
Cross memory mode:	Any PASN, any HASN, any SASN
AMODE:	31-bit
ASC mode:	Primary or access register (AR)
Interrupt status:	Enabled for I/O and external interrupts
Locks:	No locks held
Control parameters:	All parameters must be addressable by the caller and in the primary address space.

Restrictions

Programs that call the Set_Allocate_Queue_Notification service while in task mode should not have any enabled unlocked task (EUT) functional recovery routines (FRRs) established. For more information about EUT FRRs, see the section on providing recovery in *OS/390 MVS Authorized Assembler Services Guide*.

Input Register Information

Before calling the Set_Allocate_Queue_Notification service, the caller must ensure that the following GPRs contain the specified information:

Register	Contents
1	Address of the parameter list
13	Address of a standard 18-word save area
14	Return address
15	Entry point address of the service being called.

Before calling the Set_Allocate_Queue_Notification service, the caller must ensure that the following access registers (ARs) contain the specified information:

Register	Contents
1	0
13 - 15	0

Output Register Information

When control returns to the caller of the Set_Allocate_Queue_Notification service, the general purpose registers (GPRs) contain:

Register	Contents
0 - 1	Used as work registers by the system
2 - 14	Unchanged
15	Used as a work register by the system

When control returns to the caller of the Set_Allocate_Queue_Notification service, the access registers (ARs) contain:

Register	Contents
----------	----------

Set_Allocate_Queue_Notification

0 - 1	Used as work registers by the system
2 - 14	Unchanged
15	Used as a work register by the system

Some callers depend on register contents remaining the same before and after issuing a service. If the system changes the contents of registers on which the caller depends, the caller must save them before issuing the service, and restore them after the system returns control.

Syntax Format for Set_Allocate_Queue_Notification

The figure below shows the syntax of the CALL statement for the Set_Allocate_Queue_Notification service. You must code all parameters on the CALL statement in the order shown.

```
CALL ATBSAN2(  
    Notify_type,  
    Allocate_queue_token,  
    Event_notification_type,  
    Event_code,  
    Event_qualifier,  
    Reason_code,  
    Return_code  
);
```

Figure 4-6. Syntax for Set_Allocate_Queue_Notification

Parameters for Set_Allocate_Queue_Notification

The following section describes the parameters you specify when calling the Set_Allocate_Queue_Notification service.

Notify_type

Supplied parameter

- Type: Structure
- Length: 4-8 bytes

Specifies the type of processing and notification (synchronous or asynchronous) requested for this service. The possible types are:

- None

No notification is requested. APPC/MVS processes this call synchronously, and returns control to the caller when processing is complete. APPC/MVS sets all returned parameters on return to the caller. To specify no notification, set this parameter to a four-byte structure that contains binary zeroes.

- ECB

Programs can request asynchronous processing by specifying an ECB to be posted when processing completes. To specify an ECB, set this parameter to an eight-byte structure that contains a fullword binary one (X'00000001'), followed by the address of a fullword area to be used as the ECB. The ECB must reside in the caller's home address space.

When you specify an ECB, APPC/MVS returns control to the caller before processing is complete, with only the return code set. If APPC/MVS accepts the asynchronous request, it sets the return code to 0 to show that it is processing the service asynchronously. APPC/MVS fills in the other returned parameters during asynchronous processing, and posts the specified ECB

Set_Allocate_Queue_Notification

when it has set all the returned parameters. The completion code field in the ECB contains the return code for the service. APPC/MVS places the reason code, if any, in the server's reason_code parameter.

Allocate_queue_token

Supplied parameter

- Type: Character string
- Length: 8 bytes

Specifies the allocate queue token that indicates the particular allocate queue for which you are requesting notification, or cancelling a previous notification request. (The allocate queue token is returned as output from a successful call to the Register_For_Allocates service.)

Event_notification_type

Supplied parameter

- Type: Integer
- Length: 32 bits

Specifies one-time or continuous notification, or cancels notification that the server requested previously through one or more calls to this service.

Valid values for this parameter are:

Value	Meaning
1	atbcts_set_one_time_notify Request one-time notification for the event. APPC/MVS notifies the server after the first occurrence of the event and stops monitoring for the event. The server can restore this notification request if necessary by calling the Set_Allocate_Queue_Notification service again with the same parameter values.
2	atbcts_set_continuous_notify Request continuous notification for an event. APPC/MVS notifies the server every time the event occurs until the server cancels this request or the APPC/MVS address space ends.
3	atbcts_cancel_notify Cancel a particular notification request (specified in this call by the combination of the event_code and event_notification_type parameters). APPC/MVS also deletes from the server's event queue any unreceived event elements that were queued because of the request to be cancelled. If this is the last active notification request for the server and the server has an outstanding call to the Get_Event service, APPC/MVS cancels the Get_Event service. The server receives, as output from the Get_Event service, a return code of 16 (atbcts_request_unsuccessful) and a reason code of 31 (atbcts_event_notify_cancelled).
4	atbcts_cancel_all_notify Cancel <i>all</i> active event notification requests from the server for a particular allocate queue (specified by the allocate_queue_token parameter). APPC/MVS also deletes any unreceived event elements related to the allocate queue from

Set_Allocate_Queue_Notification

the server's event queue. If this is the server's last active notification request, and the server has an outstanding call to the Get_Event service, APPC/MVS cancels the call to the Get_Event service. The server receives, as output from the Get_Event service, a return code of 16 (atbcts_request_unsuccessful) and a reason code of 31 (atbcts_event_notify_cancelled).

Event_code

Supplied parameter

- Type: Integer
- Length: 32 bits

Specifies the type of threshold (minimum or maximum) for which the server is to be notified, or the notification request to be cancelled. When the event_notification_type parameter is set to 1 or 2, this is the type of threshold for which the server is requesting notification. When the event_notification_type parameter is set to 3 or 4, this is the type of threshold for which the server is cancelling notification.

Valid values for this parameter are:

Value	Meaning
1	atbcts_allocate_queue_min Specifies a minimum threshold. For a notification request (event notification type 1 or 2), APPC/MVS is to notify the server when the allocate queue (specified by the allocate_queue_token parameter) decreases to the number of allocate requests specified by the event_qualifier parameter. For a cancel notification request (event notification type 3 or 4), APPC/MVS is to cancel notification for this minimum threshold.
2	atbcts_allocate_queue_max Specifies a maximum threshold. For a notification request (event notification type 1 or 2), APPC/MVS is to notify the server when the allocate queue (specified by the allocate_queue_token parameter) increases to the number of allocate requests specified by the event_qualifier parameter. For a cancel notification request (event notification type 3 or 4), APPC/MVS is to cancel notification for this maximum threshold.

Event_qualifier

Supplied parameter

- Type: Integer
- Length: 32 bits

Specifies the number (in decimal) of allocate requests for the minimum or maximum threshold. The range of possible values for this parameter depends on whether the threshold is a minimum or maximum (specified through the event_code parameter). The threshold ranges are as follows:

- For a minimum threshold, this parameter may be set to a value from 0 to $((2^{32})-2)$
- For a maximum threshold, this parameter may be set to a value from 1 to $((2^{32})-1)$.

Reason_code

Returned parameter

- Type: Integer
- Length: 32 bits

Contains additional information about the result of the call when the return_code parameter contains a non-zero value other than decimal 64 (atbcts_appc_not_available).

Table 4-13 lists the valid reason codes.

Return_code

Returned parameter

- Type: Integer
- Length: 32 bits

Contains the result of the call. If the return_code parameter contains zero or decimal 64 (atbcts_appc_not_available), there is no reason code. For other return codes, check the reason_code parameter for additional information about the result of the call.

Table 4-13 lists the valid return and reason codes for the Set_Allocate_Queue_Notification service.

Table 4-13. Return and Reason Codes for Set_Allocate_Queue_Notification

Return Code (Decimal)	Reason Code (Decimal)	Symbolic Value
0		atbcts_ok
8		atbcts_parameter_error
	17	atbcts_inval_alloc_queue_token
	18	atbcts_inval_notify_type
	26	atbcts_inval_event_notif_type
	27	atbcts_inval_event_code
	29	atbcts_inval_event_code_qual
16		atbcts_request_unsuccessful
	8	atbcts_cannot_hold_locks
	20	atbcts_request_cancelled
32		atbcts_service_failure
	16	atbcts_appc_service_failure
64		atbcts_appc_not_available

For more detailed information about these return codes and reason codes, see "Appendix B. Explanation of Return and Reason Codes" on page B-1.

Abend Codes for Set_Allocate_Queue_Notification

The caller might encounter abend X'EC7' with either of the reason codes shown below:

Set_Allocate_Queue_Notification

Table 4-14. Abend Codes for Set_Allocate_Queue_Notification

Abend Code (Hexadecimal)	Reason Code (Hexadecimal)	Description
X'EC7'	X'00140007'	The number of parameters specified is incorrect.
X'EC7'	X'00140008'	APPC/MVS cannot access one or more of the specified parameters.

See *OS/390 MVS System Codes* for an explanation and response for these codes.

Unregister_For_Allocates

The Unregister_For_Allocates service is used by a server to specify that it will no longer serve specific inbound transaction program requests. The service indicates that the server is no longer registered for an allocate queue and therefore the allocate queue token is no longer valid for the server.

Environment for Unregister_For_Allocates

The requirements for the caller are:

Minimum authorization:	Problem state, with any PSW key
Dispatchable unit mode:	Task or SRB
Cross memory mode:	Any PASN, any HASN, any SASN
AMODE:	31-bit
ASC mode:	Primary or access register (AR)
Interrupt status:	Enabled for I/O and external interrupts
Locks:	No locks held
Control parameters:	All parameters must be addressable by the caller and in the primary address space.

Restrictions

Programs that call the Unregister_For_Allocates service while in task mode should not have any enabled unlocked task (EUT) functional recovery routines (FRRs) established. For more information about EUT FRRs, see the section on providing recovery in *OS/390 MVS Authorized Assembler Services Guide*.

Input Register Information

Before calling the Unregister_For_Allocates service, the caller must ensure that the following GPRs contain the specified information:

Register	Contents
1	Address of the parameter list
13	Address of a standard 18-word save area
14	Return address
15	Entry point address of the service being called.

Before calling the Unregister_For_Allocates service, the caller must ensure that the following access registers (ARs) contain the specified information:

Register	Contents
1	0
13 - 15	0

Output Register Information

When control returns to the caller of the Unregister_For_Allocates service, the general purpose registers (GPRs) contain:

Register	Contents
0 - 1	Used as work registers by the system
2 - 14	Unchanged
15	Used as a work register by the system

When control returns to the caller of the Unregister_For_Allocates service, the access registers (ARs) contain:

Register	Contents
0 - 1	Used as work registers by the system
2 - 14	Unchanged
15	Used as a work register by the system

Some callers depend on register contents remaining the same before and after issuing a service. If the system changes the contents of registers on which the caller depends, the caller must save them before issuing the service, and restore them after the system returns control.

Syntax Format for Unregister_For_Allocates

The figure below shows the syntax of the CALL statement for the Unregister_For_Allocates service. You must code all parameters on the CALL statement in the order shown.

```
CALL ATBURA2(
    Notify_type,
    Allocate_queue_token,
    Reason_code,
    Return_code
);
```

Figure 4-7. Syntax for Unregister_For_Allocates

Parameters for Unregister_For_Allocates

The following section describes the parameters you specify when calling the Unregister_For_Allocates service.

Notify_type

Supplied parameter

- Type: Structure
- Length: 4-8 bytes

Specifies the type of processing and notification (synchronous or asynchronous) requested for this service. The possible types are:

- None

No notification is requested. APPC/MVS processes this call synchronously, and returns control to the caller when processing is complete. APPC/MVS sets all returned parameters on return to the caller. To specify no notification, set this parameter to a four-byte structure that contains binary zeroes.

- ECB

Unregister_For_Allocates

Programs can request asynchronous processing by specifying an ECB to be posted when processing completes. To specify an ECB, set this parameter to an eight-byte structure that contains a fullword binary one (X'00000001'), followed by the address of a fullword area to be used as the ECB. The ECB must reside in the caller's home address space.

When you specify an ECB, APPC/MVS returns control to the caller before processing is complete, with only the return code set. If APPC/MVS accepts the asynchronous request, it sets the return code to 0 to show that it is processing the service asynchronously. APPC/MVS fills in the other returned parameters during asynchronous processing, and posts the specified ECB when it has set all the returned parameters. The completion code field in the ECB contains the return code for the service. APPC/MVS places the reason code, if any, in the server's reason_code parameter.

Allocate_queue_token

Supplied parameter

- Type: Character string
- Length: 8 bytes

Specifies the allocate queue token that indicates the particular allocate queue that the caller is to stop serving. (The allocate queue token is returned as output from a successful call to the Register_For_Allocates service.)

To unregister the caller for all allocate queues for which it is registered, set this parameter to binary zeroes.

Reason_code

Returned parameter

- Type: Integer
- Length: 32 bits

Contains additional information about the result of the call when the return_code parameter contains a non-zero value other than decimal 64 (atbcts_appc_not_available).

Table 4-15 lists the valid reason codes.

Return_code

Returned parameter

- Type: Integer
- Length: 32 bits

Contains the result of the call. If the return_code parameter contains zero or decimal 64 (atbcts_appc_not_available), there is no reason code. For other return codes, check the reason_code parameter for additional information about the result of the call.

Table 4-15 lists the valid return and reason codes for the Unregister_For_Allocates service.

Table 4-15. Return and Reason Codes for Unregister_For_Allocates

Return Code (Decimal)	Reason Code (Decimal)	Symbolic Value
0		atbcts_ok
4		atbcts_warning
	36	atbcts_unreg_all_no_registers

Unregister_For_Allocates

Table 4-15. Return and Reason Codes for Unregister_For_Allocates (continued)

Return Code (Decimal)	Reason Code (Decimal)	Symbolic Value
8		atbcts_parameter_error
	17	atbcts_inval_alloc_queue_token
	18	atbcts_inval_notify_type
16		atbcts_request_unsuccessful
	8	atbcts_cannot_hold_locks
	20	atbcts_request_cancelled
32		atbcts_service_failure
	16	atbcts_appc_service_failure
64		atbcts_appc_not_available

For more detailed information about these return codes and reason codes, see “Appendix B. Explanation of Return and Reason Codes” on page B-1.

Abend Codes for Unregister_For_Allocates

The caller might encounter abend X'EC7' with either of the reason codes shown below:

Table 4-16. Abend Codes for Unregister_For_Allocates

Abend Code (Hexadecimal)	Reason Code (Hexadecimal)	Description
X'EC7'	X'00140011'	The number of parameters specified is incorrect.
X'EC7'	X'00140012'	APPC/MVS cannot access one or more of the specified parameters.

See *OS/390 MVS System Codes* for an explanation and response for these codes.

Appendix A. Character Sets

APPC/MVS makes use of character strings composed of characters from one of the following character sets:

- Character set 01134, which is composed of the uppercase letters A through Z and numerals 0-9.
- Character set Type A, which is composed of the uppercase letters A through Z, numerals 0-9, national characters (@, \$, #), and must begin with either an alphabetic or a national character.
- Character set 00640, which is composed of the uppercase and lowercase letters A through Z, numerals 0-9, and 19 special characters. Note that APPC/MVS does not allow blanks in 00640 character strings.

These character sets, along with hexadecimal and graphic representations, are provided in the following table:

Table A-1. Character Sets 01134, Type A, and 00640

Hex Code	Graphic	Description	Character Set		
			01134	Type A	00640
40		Blank			
4B	.	Period			X
4C	<	Less than sign			X
4D	(Left parenthesis			X
4E	+	Plus sign			X
50	&	Ampersand			X
5B	\$	Dollar sign		X (Note 1)	
5C	*	Asterisk			X (Note 2)
5D)	Right parenthesis			X
5E	;	Semicolon			X
60	—	Dash			X
61	/	Slash			X
6B	,	Comma			X (Note 3)
6C	%	Percent sign			X
6D	_	Underscore			X
6E	>	Greater than sign			X
6F	?	Question mark			X
7A	:	Colon			X
7B	#	Pound sign		X (Note 1)	
7C	@	At sign		X (Note 1)	
7D	'	Single quote			X
7E	=	Equals sign			X
7F	"	Double quote			X
81	a	Lowercase a			X
82	b	Lowercase b			X
83	c	Lowercase c			X
84	d	Lowercase d			X
85	e	Lowercase e			X
86	f	Lowercase f			X
87	g	Lowercase g			X
88	h	Lowercase h			X
89	i	Lowercase i			X
91	j	Lowercase j			X
92	k	Lowercase k			X
93	l	Lowercase l			X

Character Sets

Table A-1. Character Sets 01134, Type A, and 00640 (continued)

Hex Code	Graphic	Description	Character Set		
			01134	Type A	00640
94	m	Lowercase m			X
95	n	Lowercase n			X
96	o	Lowercase o			X
97	p	Lowercase p			X
98	q	Lowercase q			X
99	r	Lowercase r			X
A2	s	Lowercase s			X
A3	t	Lowercase t			X
A4	u	Lowercase u			X
A5	v	Lowercase v			X
A6	w	Lowercase w			X
A7	x	Lowercase x			X
A8	y	Lowercase y			X
A9	z	Lowercase z			X
C1	A	Uppercase A	X	X	X
C2	B	Uppercase B	X	X	X
C3	C	Uppercase C	X	X	X
C4	D	Uppercase D	X	X	X
C5	E	Uppercase E	X	X	X
C6	F	Uppercase F	X	X	X
C7	G	Uppercase G	X	X	X
C8	H	Uppercase H	X	X	X
C9	I	Uppercase I	X	X	X
D1	J	Uppercase J	X	X	X
D2	K	Uppercase K	X	X	X
D3	L	Uppercase L	X	X	X
D4	M	Uppercase M	X	X	X
D5	N	Uppercase N	X	X	X
D6	O	Uppercase O	X	X	X
D7	P	Uppercase P	X	X	X
D8	Q	Uppercase Q	X	X	X
D9	R	Uppercase R	X	X	X
E2	S	Uppercase S	X	X	X
E3	T	Uppercase T	X	X	X
E4	U	Uppercase U	X	X	X
E5	V	Uppercase V	X	X	X
E6	W	Uppercase W	X	X	X
E7	X	Uppercase X	X	X	X
E8	Y	Uppercase Y	X	X	X
E9	Z	Uppercase Z	X	X	X
F0	0	Zero	X	X	X
F1	1	One	X	X	X
F2	2	Two	X	X	X
F3	3	Three	X	X	X
F4	4	Four	X	X	X
F5	5	Five	X	X	X
F6	6	Six	X	X	X
F7	7	Seven	X	X	X
F8	8	Eight	X	X	X
F9	9	Nine	X	X	X

Notes:

1. Avoid these characters because they display differently depending on the national language code page in use.
2. Avoid using the asterisk in TP names because it causes a subset list request when entered on panels of the APPC administration dialog and in DISPLAY APPC commands.
3. Avoid using the comma in TP names because it acts as a parameter delimiter when entered in DISPLAY APPC commands.

Character Sets

Appendix B. Explanation of Return and Reason Codes

Refer to the following sections for diagnostic information related to the APPC/MVS allocate queue services:

- “Return Codes”
- “Reason Codes” on page B-2
- “Symptom Records for APPC Service Failures” on page B-5

Return Codes

The following table lists the possible return codes, their symbolic equates, and their meanings, for the APPC/MVS allocate queue services.

Table B-1. Return Codes and Their Meanings

Return Code (Decimal)	Symbolic	Meaning
0	atbcts_ok	The service completed as requested.
4	atbcts_warning	The service completed but possibly not as expected. See the reason_code parameter for a description of the warning condition.
8	atbcts_parameter_error	A user-supplied parameter was found to be in error. For example, a parameter contains characters not in the required character set. See the reason_code parameter to determine which parameter is in error.
16	atbcts_request_unsuccessful	The service was unsuccessful. The cause is most likely a parameter error other than a syntax error, or an environmental error. For example, a syntactically valid LU name was specified, but the LU is not defined to APPC/MVS. An example of an environmental error is that the caller called the service while holding locks. See the reason_code parameter for the specific cause of the error, and to determine whether the error can be corrected and the service re-issued.
32	atbcts_service_failure	APPC/MVS service failure. Record the return and reason code, and give them to your systems programmer, who should contact the appropriate IBM support personnel.
64	atbcts_appc_not_available	APPC/MVS is not currently active. Call the service again after APPC is available.

Reason Codes

The following table lists the possible reason codes for the APPC/MVS allocate queue services. Because all reason code values are unique, a reason code alone is sufficient to identify an error condition.

Table B-2. Reason Codes and Their Meanings

Reason Code (Decimal)	Symbolic	Meaning
1	atbcts_already_registered	The address space issued a Register_For_Allocates call that duplicated a previous Register_For_Allocates call (that is, the values specified for TP name, local LU name, partner LU name, user ID, and profile all matched those specified on a previous call to the Register_For_Allocates service).
2	atbcts_tp_name_not_specified	A TP name is required, but none was specified.
3	atbcts_inval_tp_name	The specified TP name contains characters that are not valid.
4	atbcts_inval_tp_name_length	The specified TP name length is outside the allowable range.
5	atbcts_local_lu_not_specified	A local LU name is required, but none was specified.
7	atbcts_parameter_inaccessible	An asynchronous call failed because a specified parameter was found to be inaccessible.
8	atbcts_cannot_hold_locks	The caller held one or more locks when calling the service.
10	atbcts_sched_cant_register	A transaction scheduler called the Register_For_Allocates service, which is not allowed.
11	atbcts_sym_dest_name_unknown	The specified symbolic destination name could not be found in the side information data set.
12	atbcts_inval_local_lu	Either the specified local LU is undefined, or the VTAM generic resource name for the local LU was specified on the Register_For_Allocates call or in a side information entry.
13	atbcts_lu_not_receiving	The specified local LU is not receiving inbound allocate requests.
14	atbcts_not_auth_to_serve_tp	The Register_For_Allocates service was called, but the caller is not authorized to serve the specified TP name on the specified local LU.

Return and Reason Codes

Table B-2. Reason Codes and Their Meanings (continued)

Reason Code (Decimal)	Symbolic	Meaning
15	atbcts_not_auth_to_local_lu	The specified local LU is inaccessible to the caller. For a discussion of which LUs a server can use, refer to "For Which Local LUs Can a Server Register?" on page 2-5.
16	atbcts_appc_service_failure	The service failed because of an APPC failure. APPC provides symptom records for this type of error. For more information, see "Symptom Records for APPC Service Failures" on page B-5.
17	atbcts_inval_alloc_queue_token	The specified allocate queue token does not represent an allocate queue for which this address space is registered.
18	atbcts_inval_notify_type	The specified notify type is not valid.
19	atbcts_inval_timeout_value	The specified timeout value is not valid.
20	atbcts_request_cancelled	The request was cancelled while in progress. This could have been caused by a call to the Unregister_For_Allocates service, or the termination of the caller's address space.
21	atbcts_no_alloc_to_receive	A Receive_Allocate call completed, but no allocate request was available to be received.
26	atbcts_inval_event_notif_type	The specified event notification type is not valid.
27	atbcts_inval_event_code	The specified event code is not supported or is not valid for this service.
28	atbcts_netid_does_not_match	The netid retrieved from the side information data set does not match the local netid.
29	atbcts_inval_event_code_qual	The specified event code qualifier is not valid or supported.
30	atbcts_no_event_available	The Get_Event call completed, but no event element was available to be received.
31	atbcts_event_notify_cancelled	The call to the Get_Event service was interrupted because all event notification requests were cancelled for this address space.
32	atbcts_get_event_outstanding	The call to the Get_Event service was rejected because a previous Get_Event call is currently outstanding.

Return and Reason Codes

Table B-2. Reason Codes and Their Meanings (continued)

Reason Code (Decimal)	Symbolic	Meaning
33	atbcts_notify_not_set	The Get_Event call was rejected because no event notification is in effect for this address space.
34	atbcts_inval_queue_keep_time	The specified allocate queue keep time is outside the allowable range.
36	atbcts_unreg_all_no_registers	A call to the Unregister_For_Allocates service specified "unregister all" (that is, the allocate_queue_token was set to binary zeroes), but this address space is not registered for any allocate queues.
37	atbcts_inval_event_get_type	The specified event get type is not valid.
38	atbcts_inval_receive_allc_type	The specified receive allocate type is not valid.
39	atbcts_cannot_determine_netid	APPC/MVS cannot determine if the specified netid is valid.
41	atbcts_buffer_too_small	The service failed because the supplied buffer was not large enough to contain the requested information.
43	atbcts_inval_partner_lu	The service failed because the supplied partner LU name is not valid.
44	atbcts_luwid_already_associated	A Receive_Allocate service failed because a protected conversation (a conversation with a synchronization level of syncpt) and a logical unit of work identifier (LUWID) were already associated with the context for the dispatchable unit of work that issued the service call. APPC/MVS abnormally terminates the inbound conversation that the Receive_Allocate service tried to process. On the next conversation service it calls, the program that tried to allocate the conversation will receive a return code indicating TP_not_available_retry.

Table B-2. Reason Codes and Their Meanings (continued)

Reason Code (Decimal)	Symbolic	Meaning
45	atbcts_sync_point_manager_error	A Receive_Allocate service failed because APPC/MVS could not register an inbound protected conversation (a conversation with a synchronization level of syncpt) as a protected logical unit of work with the system syncpoint manager (RRS). APPC/MVS abnormally terminates the inbound conversation that the Receive_Allocate service tried to process. On the next conversation service it calls, the program that tried to allocate the conversation will receive a return code indicating TP_not_available_retry.

Symptom Records for APPC Service Failures

If your program encounters return code 32 (atbcts_service_failure), and reason code 16 (atbcts_appc_service_failure), an APPC service failure has been detected. The system writes symptom records that describe the error to the logrec data set. See *OS/390 MVS Diagnosis: Tools and Service Aids* for more information on retrieving and reading the logrec data set software record reports.

Section 3 of the symptom record contains the primary symptom string for APPC service failures:

Table B-3. Symptom String for Service Failure Errors. (Section 3 of the Symptom Record in the Logrec Data Set.)

Symptom	Description
PIDS/5752SCACB	Product identifier
RIDS/ATBxxxxx	CSECT name
RIDS/ATBxxxxx#L	Load module name
LVLS/ddd	Product level
PCSS/ATBxxxx	The allocate queue service that caused the error. This field is omitted if the error was not caused by an allocate queue service.
PRCS/dddddddd	The return code returned to the caller of the service. This field is omitted if the error was not caused by an allocate queue service.
FLDS/REASON VALU/Hddddddd	The unique reason code that identifies the APPC service failure.

Section 5 of the symptom record contains the following information for the APPC service failure:

- The job or user name, in EBCDIC, for the home address space of the caller
- An EBCDIC description of the error (up to 80 characters).

Look for symptom FLDS/REASON VALU/Hddddddd in section 3 of the symptom record for the reason code identifying the error, which is one of the following:

Return and Reason Codes

Table B-4. Reason Codes for Service-Failure Errors

Reason Code	Message Text	Explanation
00000006	ERROR IN TRYING TO VERIFY APPCSERV AUTHORITY.	An error occurred when APPC/MVS tried to verify the APPCSERV authority of the caller. This error occurred while APPC was processing a call to the Register_For_Allocates service.
00000007	ERROR RETRIEVING SECURITY INFORMATION.	An error occurred when APPC/MVS tried to obtain information about the caller's security environment. This error occurred while APPC was processing a call to the Register_For_Allocates service. The RACF return code and reason code appear in section 5 of the symptom record. System Programmer Response: Ensure that the correct level of the security product is installed and is active. Also check security-related parameters specified on the Register_For_Allocates call (such as user_ID and profile) for proper authorization.
00000008	ERROR RETRIEVING SIDE INFORMATION.	An error occurred when APPC/MVS tried to obtain side information from the side information file. This error occurred while APPC was processing a call to the Register_For_Allocates service.
00000009	AN INTERNAL FAILURE OCCURRED IN APPC PROCESSING.	An internal failure occurred during APPC processing of a call to the Register_For_Allocates service.
0000000A	AN INTERNAL FAILURE OCCURRED IN APPC PROCESSING.	An internal failure occurred during APPC processing of a call to the Register_For_Allocates service.
0000000B	FAILURE IN SERIALIZING SERVER FACILITIES RESOURCES.	Serialization of APPC/MVS server facilities resources failed during APPC processing of the Register_For_Allocates service.
0000000C	FAILURE IN SERIALIZING SERVER FACILITIES RESOURCES.	Serialization of APPC/MVS server facilities resources failed during APPC processing of the Register_For_Allocates service.
0000000D	AN INTERNAL FAILURE OCCURRED IN APPC PROCESSING.	An internal failure occurred during APPC processing of a call to the Register_For_Allocates service.
0000000E	AN INTERNAL FAILURE OCCURRED IN APPC PROCESSING.	An internal failure occurred during APPC processing of a call to either the Receive_Allocate or Unregister_For_Allocates service.

Return and Reason Codes

Table B-4. Reason Codes for Service-Failure Errors (continued)

Reason Code	Message Text	Explanation
0000000F	AN INTERNAL FAILURE OCCURRED IN APPC PROCESSING.	An internal failure occurred during APPC processing of a call to either the Receive_Allocate or Unregister_For_Allocates service.
00000010	AN INTERNAL FAILURE OCCURRED IN APPC PROCESSING.	An internal failure occurred during APPC processing of a call to the Receive_Allocate service.
00000011	AN INTERNAL FAILURE OCCURRED IN APPC PROCESSING.	An internal error occurred in APPC/MVS processing.
00000012	AN INTERNAL FAILURE OCCURRED IN APPC PROCESSING.	An internal error occurred in APPC/MVS processing.
00000013	AN INTERNAL FAILURE OCCURRED IN APPC PROCESSING.	An internal error occurred in APPC/MVS processing.

Return and Reason Codes

Appendix C. Sample APPC/MVS Server

This program is the server part of a client/server application, which is written in the C programming language.

For your reference, the client half of this application appears in “Appendix D. Sample Client Program” on page D-1. Also, “Appendix E. Sample Error Routine and Header File” on page E-1 shows the source code for the error routine (SRVERROR) used by this application, and the C header file used to define error codes for the SRVERROR routine.

```

/*****
/*   This program is a sample server for a client/server pair   */
/*   written in C/370 to demonstrate the use of APPC/MVS allocate */
/*   queue services.                                           */
/*                                                                 */
/*   COPYRIGHT --                                             */
/*                                                                 */
/*   (C) Copyright IBM Corp. 1992                             */
/*   All rights reserved.                                       */
/*   U.S. Government Users Restricted Rights -- Use,         */
/*   duplication, or disclosure restricted by GSA ADP Schedule */
/*   Contract with IBM Corp.   Program Property of IBM.      */
/*                                                                 */
/*   This program is provided to you for tutorial purposes only. */
/*   You may not use the program for commercial purposes.     */
/*   This program is a sample working solution intended       */
/*   to show the use of APPC/MVS allocate queue services.     */
/*   Independent of its particular use, this program is       */
/*   supplied as an example and provided "as is" without      */
/*   warranty of any kind, either express or implied, including, */
/*   but not limited to, the implied warranties of             */
/*   merchantability and fitness for a particular purpose.    */
/*   The entire risk about the quality and performance of the */
/*   program is with you. Should the program prove defective, */
/*   you assume the entire cost of all necessary servicing,   */
/*   repair, or correction.                                    */
/*                                                                 */
/*   In no event will IBM be liable to you for any damages or  */
/*   any lost profits, lost savings or other incidental or    */
/*   consequential damages arising out of the use of or       */
/*   inability to use the program even if IBM had been advised */
/*   of the possibility of such damages, or for any claim by any */
/*   other party.                                             */
/*                                                                 */
/*                                                                 */
/*   MODULE NAME --                                           */
/*                                                                 */
/*           SRV1MAIN.C                                       */
/*                                                                 */
*****/
```

Sample APPC/MVS Server

```
/* */
/* ENTRY POINTS -- */
/*      Normal C entry executed on MVS. */
/* */
/* STATUS -- */
/*      Version 1, Release 0 */
/* */
/* FUNCTION -- */
/*      This program is provided as an example of APPC/MVS allocate */
/*      queue services. This program is the server half of */
/*      a client/server pair. The server uses the APPC/MVS */
/*      Register_For_Allocates service to establish itself */
/*      as an APPC/MVS server. It then proceeds to process inbound */
/*      requests received through the Receive_Allocate service. */
/*      Each client should immediately grant the server send */
/*      control. The server will then send data to the client */
/*      and deallocate the conversation. The server will */
/*      terminate processing when the Receive_Allocate service */
/*      shows that no requests have been received for 5 minutes. */
/*      (Note that the 5 minute time-out value is set by a constant */
/*      in this program.) */
/* */
/* INPUT -- */
/*      None */
/* */
/* OUTPUT -- */
/*      None. */
/* */
/* RETURN INFORMATION -- */
/*      None. */
/* */
/* CHANGE HISTORY -- */
/*      08/31/92 - Module created. */
/* */
/*****/
```

Sample APPC/MVS Server

```
/*
*****
/* Include the header files that define the services used by
/* this program.  STDIO and STRING are standard C libraries.
/* ATBCMC is the interface definition file (IDF) for the CPI-C
/* services.  ERRCODE is the header file for the SRVERROR function
/* that handles error conditions detected by this program.
/* ATBCTC is the IDF for APPC/MVS callable transaction services
/* which include APPC/MVS allocate queue services.
/*
/* The '#pragma runopts(execops)' is a C/370 option which permits
/* the caller to specify runtime options to C/370 before
/* specifying parameters to this program.  This was done to permit
/* the caller to specify /NOSPIE and /NOSTAE to prevent C/370
/* from suppressing a user abend which might be generated by the
/* SRVERROR function.
/*
*****
#pragma runopts(execops)
#include <STDIO.H>
#include <STRING.H>
#include <ATBCMC.H>
#include <ERRCODE.H>
#include <ATBCTC.H>

/*
*****
/*
/*          MAINLINE FUNCTION
/*
*****
main()
{
/*
*****
/*          VARIABLES USED FOR ALLOCATE QUEUE FUNCTIONS
/*
/* server_ok - Used as a flag to indicate whether the server
/* is to continue processing.  This flag is set to
/* 'false' for errors that affect the server's
/* ability to function.  Failure of the server in
/* processing a single client does not cause the
/* server to shut down.
/*
/* register_successful - Indicates whether the server's call to
/* the Register_For_Allocates service was
/* successful.
/*
*****
*/
```

Sample APPC/MVS Server

```
/* atbrfa2_tp_name - This is the TP name that the server passes */
/*                  to the Register For Allocates service.      */
/*                  Actually, this is just a "place holder"     */
/*                  parameter because we are getting the       */
/*                  TP name from the side information file.     */
/*                  We will set the TP name length parameter   */
/*                  to 0 and initialize this variable to blanks.*/
/*
/* atbrfa2_tp_name_length - The TP name length passed to Register */
/*                          For Allocates. Set to zero because */
/*                          we will use the TP name that is */
/*                          defined in the side information file.*/
/*
/* atbrfa2_local_lu_name - The local LU name passed to Register */
/*                          For Allocates. Set to blanks because */
/*                          we will use the local LU name that is */
/*                          defined in the side information file. */
/*
/* atbrfa2_partner_lu_name - The 3 filter parameters for */
/* atbrfa2_userid          Register For Allocates. Set to */
/* atbrfa2_profile         blanks because we don't want to */
/*                          filter                          */
/*
/* atbrfa2_sym_dest_name - The symbolic destination name passed */
/*                          to Register For Allocates. This will */
/*                          be used to retrieve the TP name and */
/*                          local LU name from the side information*/
/*                          data set.                          */
/*
/* qtoken - The allocate queue token returned by APPC/MVS to the */
/*           caller of the Register_For_Allocates service.      */
/*           This token is used in all later APPC/MVS functions */
/*           that relate to this allocate queue.                */
/*
/* return_code - The return code from an allocate queue service */
/*
/* reason_code - The reason code from an allocate queue service */
/*
/* Note: The string parameters, such as local_lu_name, are */
/*        declared as character longer than necessary because we */
/*        are using the strcpy function to set them, and this will */
/*        append a null ('00'x) to the string. Declaring an extra */
/*        character prevents this null character from being */
/*        considered part of the passed value.                  */
/*
```


Sample APPC/MVS Server

```
/******  
int server_ok;          /* on-> server has met no errors */  
int register_successful;  
char atbrfa2_tp_name[65];  
long int atbrfa2_tp_name_length;  
char atbrfa2_local_lu_name[9];  
char atbrfa2_partner_lu_name[18];  
char atbrfa2_userid[9];  
char atbrfa2_profile[9];  
char atbrfa2_sym_dest_name[9];  
char qtoken[8];  
long int return_code;  
long int reason_code;  
  
/******  
/* receive_allocate_type - The receive allocate type parameter */  
/* passed to the Receive Allocate service. Initialized */  
/* to 'TIMED' to indicate to APPC/MVS that we want to */  
/* wait until an allocate request has arrived on the */  
/* allocate queue or the time specified by the time_out */  
/* parameter to have been exceeded. */  
/* */  
/* time_out - The time_out_value parameter passed to the Receive */  
/* Allocate service. */  
/* Because we set the receive_allocate_type to */  
/* 'TIMED', this parameter contains the amount */  
/* of time we want to wait for a Receive Allocate call */  
/* to complete. */  
/* */  
/* conv_id - The conversation ID that is returned by the Receive */  
/* Allocate service. This identifier will be used */  
/* on later communication service calls for this */  
/* conversation. */  
/* */  
/* conv_type - Returned by the Receive Allocate service, this */  
/* parameter indicates whether the inbound */  
/* conversation is sending data only (mapped) or */  
/* data preceded by a two byte length indicator */  
/* (basic). */  
/* */  
/* partner_lu_name - Returned by the Receive Allocate service, */  
/* this parameter indicates the logical unit (LU) where the */  
/* client transaction program is located. */  
/* */  
/* mode - Returned by the Receive Allocate service, this parameter */  
/* indicates the logon mode name used by the TP which */  
/* allocated this conversation. */  
/* */  
/* sync_level - Returned by the Receive Allocate service, this */  
/* parameter indicates whether the conversation has */  
/* synchronization level NONE or CONFIRM. */  
/* */
```

Sample APPC/MVS Server

```
/* userid - Returned by the Receive Allocate service, this      */
/*           parameter indicates the user ID that was used by   */
/*           the partner when the conversation was allocated.    */
/*           */
/* profile - This returned parameter indicates the profile (or  */
/*           RACF group name) that was used by the partner when */
/*           the conversation was allocated.                      */
/*           */
/*****/
unsigned long int receive_allocate_type = ATBCTS_TIMED;
unsigned long int time_out = 300;
char convid[8];
long int conv_type;
char partner_u_name[17];
char mode[8];
long int sync_level;
char userid[8];
char profile[8];

/*****/
/*           NOTIFY TYPE STRUCTURE                               */
/*           */
/* Allocate queue services can be issued asynchronously by     */
/* supplying the address of an ECB in the notify_type parameter. */
/* This sample program does not use the asynchronous capability  */
/* of these APPC/MVS services. This structure is included, however, */
/* as an example of how you would set up the parameters to request */
/* asynchronous processing.                                     */
/*           */
/* To issue the Receive Allocate service asynchronously,       */
/* pass an eight byte notify type to the service.              */
/* Set the first 4 bytes of this field must be set to an integer 1. */
/* The second four bytes must be set to the address of the ECB   */
/* that is to be posted when the service completes. The prototype */
/* for the service, however, expects a 'char *' for this parameter. */
/* So we declare the following UNION. The first part of the    */
/* UNION is an 8 character field that we will pass on the parameter */
/* list to APPC/MVS. The second part is a structure containing an */
/* integer (4 bytes) that is the notify type itself and a pointer */
/* (4 bytes) to the ECB.                                        */
/* When using this UNION, we will either set the notify_type_value */
/* to a '1' (indicating that we request asynchronous processing) */
/* and RAL_ECB will be set to the address of the ECB, or the    */
/* notify_type_value will be set to '0' (indicating that we request */
/* synchronous processing). We don't have to set the RAL_ECB    */
/* field when notify_type_value is zero (synchronous).          */
/*           */
/*****/
union {
    char notify_type_char[8];
    struct {
        int notify_type_value;
        int *RAL_ECB;
    } nt_struct;
} the_notify_type;
```

Sample APPC/MVS Server

```
/******  
/*          VARIABLES USED FOR COMMUNICATION SERVICES          */  
/*          */  
/*  buffer - A buffer into which we will receive data from the  */  
/*          partner TP.                                         */  
/*          */  
/*  requested_length - A passed parameter to the Receive service */  
/*                   which indicates the size of our buffer.    */  
/*          */  
/*  data_received - A returned parameter from Receive that will  */  
/*                   indicate whether we received any data.     */  
/*          */  
/*  received_length - If we received data, this parameter will  */  
/*                   tell us how much.                           */  
/*          */  
/*  status_received - This returned parameter will tell us if we */  
/*                   received any status from our partner.      */  
/*          */  
/*  rts_received - This returned parameter will tell us if our   */  
/*                   client has requested SEND control. Not     */  
/*                   particularly relevant in this application   */  
/*                   because the client always immediately grants */  
/*                   the server SEND control.                   */  
/*          */  
/*  communication_return_code - The return code from APPC/MVS   */  
/*                   communication services.                    */  
/*          */  
/*  deallocate_type - used with the Set_Deallocate_Type (CMSDT)  */  
/*                   service to set the deallocate type to     */  
/*                   deallocate_flush.                          */  
/*          */  
/*  send_length - The amount of data being sent to the client.  */  
/*                   Set to the size of the buffer.            */  
/*          */  
/******  
char buffer[19];  
long int requested_length;  
long int data_received;  
long int received_length;  
long int status_received;  
long int rts_received;  
long int communication_return_code;  
long int deallocate_type = CM_DEALLOCATE_FLUSH;  
long int send_length = sizeof(buffer);
```

Sample APPC/MVS Server

```
/*
*****
/*          VARIOUS OTHER LOCAL VARIABLES          */
/*
/* true - a generic constant indicating successful processing */
/*
/* false - a generic constant indicating a problem */
/*
/* srverror_return_code - used to test the decision made by */
/*          the SRVERROR() function. */
/*
/*
*****
const int TRUE = 1;
const int FALSE = 0;
int srverror_return_code;

/*
*****
/*          BEGIN THE ACTUAL FUNCTION          */
/*
*****

/*
/* First we indicate that all is well...so far. */
/*
/*
*****

server_ok = TRUE;

/*
*****
/*
/* Then we set the passed parameters. */
/*
/* - Notify_type is set to indicate synchronous processing */
/* - TP_name length is set to zero */
/* - Local_LU_name is set to blanks */
/* - Partner_LU_name filter is set to blanks */
/* - User_ID filter is set to blanks */
/* - Profile filter is set to blanks */
/* - Sym_dest_name is set to the name of the entry in the */
/*   side information file that defines the TP name and */
/*   local LU name that we want to serve. */
/*
/*
*****

the_notify_type.nt_struct.notify_type_value = 0;
atbrfa2_tp_name_length = 0;
strcpy(atbrfa2_local_lu_name,"");
strcpy(atbrfa2_partner_lu_name,"");
strcpy(atbrfa2_userid,"");
strcpy(atbrfa2_profile,"");
strcpy(atbrfa2_sym_dest_name,"SRVORDER");
```

Sample APPC/MVS Server

```
/******  
/*  
/* Call the Register_for_Allocates service.   
/*  
/* If the service is not completely successful, invoke the   
/* SRVERROR function to find out what we should do.   
/*  
/******  
  
atbrfa2(the_notify_type.notify_type_char,  
        atbrfa2_sym_dest_name,  
        &atbrfa2_tp_name_length,  
        atbrfa2_tp_name,  
        atbrfa2_local_lu_name,  
        atbrfa2_partner_lu_name,  
        atbrfa2_userid,  
        atbrfa2_profile,  
        qtoken,  
        &reason_code,  
        &return_code);  
  
if (return_code != ATBCTS_OK)  
{  
    error_description.problem = ATBRFA2_RET_CODE_ERROR;  
    error_description.error_reason.rc_problem.expected_return_code =  
        ATBCTS_OK;  
    error_description.error_reason.rc_problem.actual_return_code =  
        return_code;  
    server_ok = (srverror(error_description) < server_failure);  
}  
  
/******  
/*  
/* Set the register_successful flag to indicate whether the service*  
/* was successful. This flag is used during cleanup processing *  
/* to determine whether the Unregister_For_Allocates service is *  
/* called.   
/*  
/******  
    register_successful = server_ok;  
  
/******  
/*          MAIN LOOP   
/*  
/* This is the main loop wherein we will receive allocate requests *  
/* from the queue and process them. We exit the loop when the *  
/* Receive_Allocate return code shows that the time-out value *  
/* has been exceeded.   
/*  
/******  
  
while (server_ok)  
{
```

Sample APPC/MVS Server

```
/******  
/*  
/* Set-up and call a synchronous Receive_Allocate.   
/*  
/*  
/* - Set the notify type to request synchronous processing   
/* - Call the service..note that the allocate queue token   
/* is the one returned by the Register_For_Allocates   
/* service. The receive_allocate_type has been set to   
/* 'TIMED'.   
/*   
/*   
/******  
  
the_notify_type.nt_struct.notify_type_value = 0;  
  
atbral2(the_notify_type.notify_type_char,  
        qtoken,  
        &receive_allocate_type,  
        &time_out,  
        convid,  
        &conv_type,  
        partner_lu_name,  
        mode,  
        &sync_level,  
        userid,  
        profile,  
        &reason_code,  
        &return_code);  
  
if (return_code != ATBCTS_OK)  
  if (return_code == ATBCTS_REQUEST_UNSUCCESSFUL)  
    if (reason_code == ATBCTS_NO_ALLOC_TO_RECEIVE)  
      server_ok = FALSE;  
    else  
      {  
        error_description.problem = ATBRAL2_REASON_CODE_ERROR;  
        error_description.error_reason.reason_problem.  
          expected_reason_code = ATBCTS_NO_ALLOC_TO_RECEIVE;  
        error_description.error_reason.reason_problem.  
          actual_reason_code = reason_code;  
        server_ok = (srverror(error_description) < server_failure);  
      }  
  else  
    {  
      error_description.problem = ATBRAL2_RET_CODE_ERROR;  
      error_description.error_reason.rc_problem.  
        expected_return_code = ATBCTS_OK;  
      error_description.error_reason.rc_problem.actual_return_code=  
        return_code;  
      server_ok = (srverror(error_description) < server_failure);  
    }  
/* else return code is ok then all is well...proceed */  
  
if (server_ok)  
  {
```

Sample APPC/MVS Server

```
/*
/* *****
/*
/* Receive SEND control from the client
/* - Set the requested_length to zero because we are
/* expecting to receive send control from the client.
/*
/*
/* *****
requested_length = 0;

cmrcv (convid,
      buffer,
      &requested_length,
      &data_received,
      &received_length,
      &status_received,
      &rts_received,
      &communication_return_code);

/*
/* *****
/*
/* Verify that the results are as expected.
/* - Did the service complete successfully?
/* - If so, did we receive SEND control?
/*
/*
/* *****

if (communication_return_code != CM_OK)
{
  error_description.problem = CMRCV_RET_CODE_ERROR;
  error_description.error_reason.rc_problem.
    expected_return_code = CM_OK;
  error_description.error_reason.rc_problem.
    actual_return_code = communication_return_code;
  srverror_return_code = srverror(error_description);
}
else if (status_received != CM_SEND_RECEIVED)
{
  error_description.problem = CMRCV_STATUS_ERROR;
  error_description.error_reason.status_problem.
    expected_status = CM_SEND_RECEIVED;
  error_description.error_reason.status_problem.
    actual_status = status_received;
  srverror_return_code = srverror(error_description);
}
}
```

Sample APPC/MVS Server

```
/*
 *
 * If all is still well, then send the client the data.
 *
 */
if (server_ok)
{
    strcpy(buffer,"123456789012345678");

    cmsend(convid,
           buffer,
           &send_length,
           &rts_received,
           &communication_return_code);

    if (communication_return_code != CM_OK)
    {
        error_description.problem = CMSEND_RET_CODE_ERROR;
        error_description.error_reason.rc_problem.
            expected_return_code =
            CM_OK;
        error_description.error_reason.rc_problem.
            actual_return_code = communication_return_code;
        srverror_return_code = srverror(error_description);
    }

/*
 *
 * At this point, we could wait for some return data from
 * the client, but since this is just a sample we will
 * go ahead and deallocate the conversation. The default
 * deallocate type is deallocate_sync_level. So, if the
 * partner (who allocated the conversation) has set the
 * sync_level to confirm, the deallocate request will
 * wait until the partner issues Confirmed. Since we
 * don't want to delay the server waiting for the client
 * to acknowledge that we are done, we change the
 * deallocate type to deallocate_flush using the CMSDT
 * (Set Deallocate Type) service.
 *
 */
    cmsdt(convid,
          &deallocate_type,
          &communication_return_code);

    if (communication_return_code != CM_OK)
    {
        error_description.problem = CMSEND_RET_CODE_ERROR;
        error_description.error_reason.rc_problem.
            expected_return_code = CM_OK;
        error_description.error_reason.rc_problem.
            actual_return_code = communication_return_code;
        srverror_return_code = srverror(error_description);
    }
}
```


Sample APPC/MVS Server

```

/*****
/*
/* And then deallocate the conversation.
/*
/*
/*****
    cmdeal(convid,
           &communication_return_code);

    if (communication_return_code != CM_OK)
    {
        error_description.problem = CMDEAL_RET_CODE_ERROR;
        error_description.error_reason.rc_problem.
            expected_return_code = CM_OK;
        error_description.error_reason.rc_problem.
            actual_return_code = communication_return_code;
        srverror_return_code = srverror(error_description);
    }
}

/*****
/*
/* At the bottom of the loop, check to see if any of the
/* conversation services have received a return code from SRVERROR
/* indicating that the server should shut down.
/*
/*
/*****

    if (srverror_return_code==server_failure)
        server_ok = false;

}

```

Sample APPC/MVS Server

```

/*****/
/*
/* After exiting the loop either because of an error or because
/* Receive_Allocate timed out, we will clean up after ourselves by
/* unregistering from the allocate queue we created. We do this
/* by calling the Unregister_For_Allocates service. Note that
/* this is done only if a flag shows that the Register_For_Allocates
/* call was successful.
/*
/* The only input parameters are the notify_type and the allocate
/* queue token. The notify type is set to indicate synchronous
/* processing and the queue token is still set from the Register
/* For_Allocates service.
/*
/*****/

if (register_successful)
{
    the_notify_type.nt_struct.notify_type_value = 0;

    atbura2(the_notify_type.notify_type_char,
            qtoken,
            &reason_code,
            &return_code);

    if (return_code != ATBCTS_OK)
    {
        error_description.problem = ATBURA2_RET_CODE_ERROR;
        error_description.error_reason.rc_problem.expected_return_code =
            CM_OK;
        error_description.error_reason.rc_problem.actual_return_code =
            return_code;
        srverror_return_code = srverror(error_description);
    }
}

/*****/
/*
/*          That's it!
/*
/*****/

return 0;
}

```

Appendix D. Sample Client Program

This program is the client part of the sample client/server application that began in “Appendix C. Sample APPC/MVS Server” on page C-1.

“Appendix E. Sample Error Routine and Header File” on page E-1 shows the source code for the error routine (SRVEERROR) used by this application, and the C language header file used to define error codes for the SRVEERROR routine.

Sample Client Program

```
/******  
/* This program is a sample client for a client/server pair */  
/* written in C/370 to demonstrate the use of APPC/MVS allocate */  
/* queue services. This client program uses the CPI-C */  
/* interface and uses no MVS-specific services. */  
/* */  
/* */  
/* COPYRIGHT -- */  
/* */  
/* (C) Copyright IBM Corp. 1992 */  
/* All rights reserved. */  
/* U.S. Government Users Restricted Rights -- Use, */  
/* duplication, or disclosure restricted by GSA ADP Schedule */  
/* Contract with IBM Corp. Program Property of IBM. */  
/* */  
/* This program is provided to you for tutorial purposes only. */  
/* You may not use the program for commercial purposes. */  
/* This program is a sample working solution intended */  
/* to show the use of APPC/MVS allocate queue services. */  
/* Independent of its particular use, this program is */  
/* supplied as an example and provided "as is" without */  
/* warranty of any kind, either express or implied, including, */  
/* but not limited to, the implied warranties of */  
/* merchantability and fitness for a particular purpose. */  
/* The entire risk about the quality and performance of the */  
/* program is with you. Should the program prove defective, */  
/* you assume the entire cost of all necessary servicing, */  
/* repair, or correction. */  
/* */  
/* In no event will IBM be liable to you for any damages or */  
/* any lost profits, lost savings or other incidental or */  
/* consequential damages arising out of the use of or */  
/* inability to use the program even if IBM had been advised */  
/* of the possibility of such damages, or for any claim by any */  
/* other party. */  
/* */  
/* */  
/* MODULE NAME -- */  
/* */  
/* DRV1.C */  
/* */
```

Sample Client Program

```
/* */
/* ENTRY POINTS -- */
/* Normal C entry executed on the client platform. */
/* */
/* STATUS -- */
/* Version 1, Release 0 */
/* */
/* FUNCTION -- */
/* This program is provided as an example of APPC/MVS */
/* allocate queue services. This program is the client half */
/* of a client/server pair. It invokes the server and waits */
/* for the server to respond by sending data. */
/* */
/* INPUT -- */
/* None */
/* */
/* OUTPUT -- */
/* None. */
/* */
/* RETURN INFORMATION -- */
/* None. */
/* */
/* CHANGE HISTORY -- */
/* 08/31/91 - Module created. */
/* */
/*****
/*****
/*
/* Include the header files which define the services used by
/* this program. STDIO and STRING are standard C libraries.
/* ATBCMC is the interface definition file (IDF) for the CPI-C
/* services. ERRRCDE is the header file for the srverror function
/* that handles error conditions detected by this program.
/*
/* The '#pragma runopts(execops)' is a C/370 option which permits
/* the caller to specify runtime options to C/370 before
/* specifying parameters to this program. This was done to permit
/* the caller to specify /NOSPIE and /NOSTAE to prevent C/370
/* from suppressing a user abend which might be generated by the
/* srverror function.
/*
/* */
```

Sample Client Program

```

/*****
#pragma runopts(execops)
#include <STDIO.H>
#include <STRING.H>
#include <ATBCMC.H>
#include <ERRCODE.H>
/*****
/*
/*          MAINLINE CODE          */
/*
/*
/*****
main()

{

/*****
/*
/*          DECLARE VARIABLES          */
/*
/* conv_id - conversation identifier returned by APPC on the CMINIT */
/*          call and used on subsequent calls          */
/*
/*
/* sym_dest - symbolic destination name identifying the server */
/*          (TP name, LU name, and logon mode). Note that this */
/*          variable is one character longer than the symbolic */
/*          destination name parameter. Since a value is placed */
/*          in this parameter using the strcpy() function we must */
/*          provide an extra character for the null since it */
/*          must not be a part of the passed value. */
/*
/*
/* return_code - used to hold return codes from APPC services */
/*
/*
/* buffer - The buffer which is used to receive data from the */
/*          partner program (server). The buffer is 19 characters */
/*          long because we know that is how much data the server */
/*          will be sending. */
/*
/*
/* requested_length - The length of the buffer we will provide to */
/*          the receive (CMRCV) service. */
/*
/*
/* data_received - A returned parameter from the CMRCV service which */
/*          will indicate whether any data was received from */
/*          the server. */
/*
/*
/* received_length - A returned parameter from the CMRCV server which */
/*          will indicate the amount of data placed into */
/*          our buffer by APPC. */
/*
/*
/* status_received - A returned parameter from the CMRCV service */
/*          which will indicate whether any status was */
/*          received from the server. */
/*
/*

```

Sample Client Program

```
/* rts_received - A returned parameter from the CMRCV service which */
/* indicates whether the partner has requested send */
/* control. Should always be set to */
/* rts_not_received in this application since this */
/* program always immediately grants the server */
/* send control. */
/* */
/* srverror_return_code - The return code from the srverror function.*/
/* */
/*****/
char conv_id[8];
char sym_dest[9];
long int return_code;
char buffer[19];
long int requested_length;
long int data_received;
long int received_length;
long int status_received;
long int rts_received;
int srverror_return_code;

/*****/
/*
/* Set the sym_dest variable to the symbolic destination name.
/* There must be an entry defined in the side information table
/* for this value. It must contain an LU name and TP name which
/* correspond to the values for which the server has registered.
/* See APPC/MVS Planning and Management for information about adding
/* Side Information.
/*
/* The srverror function return code is initialized to zero.
/*
/*****/
strcpy(sym_dest,"SRVORDER");
srverror_return_code = 0;

/*****/
/*
/* INITIALIZE THE CONVERSATION
/*
/* Call the Initialize_Conversation service (CMINIT), providing
/* the symbolic destination name defined just above. If all goes
/* well, a conversation identifier will be returned in the conv_id
/* variable.
/*
/* If all is not well (i.e. the return code is not CM_OK) then
/* invoke the srverror function providing a description of the
/* problem encountered (CMINIT return code error), the expected
/* return code value, and the actual return code received.
/* The srverror function will then act appropriately and
/* return a return code indicating whether to continue processing.
/*
/*
```

Sample Client Program

```
/* Of course, in this case any non-zero return code should result */
/* in termination of processing; the srverror function, however, */
/* can update an error log, issue an operator message, or take other */
/* appropriate action. */
/* */
/*****
CMINIT(conv_id,
        sym_dest,
        &return_code);
if (return_code != CM_OK)
{
    error_description.problem = CMINIT_RET_CODE_ERROR;
    error_description.error_reason.rc_problem.expected_return_code =
        CM_OK;
    error_description.error_reason.rc_problem.actual_return_code =
        return_code;
    srverror_return_code = srverror(error_description);
}

/*****
/*
/*          ALLOCATE THE CONVERSATION
/*
/* If all is well, allocate the conversation by calling the CMALLC
/* service. The only input parameter is the conversation identifier
/* returned by CMINIT.
/*
/* If the allocate function fails (non-zero return code), we again
/* check with the srverror function to find out if we should
/* continue processing.
/*
/*****

if (srverror_return_code==0)
{
    CMALLC(conv_id,
           &return_code);

    if (return_code != CM_OK)
    {
        error_description.problem = CMALLC_RET_CODE_ERROR;
        error_description.error_reason.rc_problem.expected_return_code =
            CM_OK;
        error_description.error_reason.rc_problem.actual_return_code =
            return_code;
        srverror_return_code = srverror(error_description);
    }
}
```


Sample Client Program

```
/*
RECEIVE DATA FROM THE SERVER
*/
Next two tasks are accomplished by calling one function. When
the CMRCV service is called from send state, notification is
first sent to the server that it has been granted send control
and then this program waits for the server to send data.
Note that we set the requested_length parameter to the size of
the receive buffer.
Next the returned parameters will be examined and the srverror
function invoked if any unexpected results occur.
if (srverror_return_code==0)
{
    requested_length = sizeof(buffer);

    cmrcv (conv_id,
           buffer,
           &requested_length,
           &data_received,
           &received_length,
           &status_received,
           &rts_received,
           &return_code);
}
```

Sample Client Program

```
/*
/* The first returned parameter to examine is naturally the return
/* code. Two values may be expected on this call. Since we know
/* the partner will deallocate the conversation after sending the
/* data, we expect to get a return code of CM_DEALLOCATED_NORMAL.
/* It is possible, however, that the return code may not have arrived
/* yet, so a return code of CM_OK might be returned. If neither
/* value is found, the srverror function is invoked.
/*
/*
/*
if (return_code != CM_OK)
    if (return_code != CM_DEALLOCATED_NORMAL)
    {
        error_description.problem = CMRCV_RET_CODE_ERROR;
        error_description.error_reason.rc_problem.
            expected_return_code = CM_OK;
        error_description.error_reason.rc_problem.
            actual_return_code = return_code;
        srverror_return_code = srverror(error_description);
    }

/*
/* If the return code is OK or DEALLOCATED_NORMAL, then we can
/* examine the data received field to determine if any data was
/* received. If data was received, then we can examine the
/* received_length field to determine how much data was received.
/* If we received the expected length, then we can proceed to
/* examine the data itself to verify it is as expected.
/*
/*
/* Note that in a real application the actual value of the expected
/* data would probably not be known, but this check can be easily
/* replaced with a check verifying that the data is in some expected
/* format (for example, if the expected data were inventory record
/* updates you might expect the data to consist of item identifiers
/* and quantities in four byte integer pairs).
/*
/*
/* If any returned values are not as expected, the srverror function
/* is invoked.
/*
/*
/*
*/
```

Sample Client Program

```
if ((return_code==CM_OK)|(return_code==CM_DEALLOCATED_NORMAL))
{
  if (data_received!=CM_COMPLETE_DATA_RECEIVED)
  {
    error_description.problem = CMRCV_DATA_RCV_ERROR;
    error_description.error_reason.data_rcv_problem.
      expected_data_rcv = CM_COMPLETE_DATA_RECEIVED;
    error_description.error_reason.data_rcv_problem.
      actual_data_rcv = data_received;
    srverror_return_code = srverror(error_description);
  }

  if (srverror_return_code == 0)
  {
    if (received_length != requested_length)
    {
      error_description.problem = CMRCV_RCVD_LEN_ERROR;
      error_description.error_reason.length_problem.
        expected_length = requested_length;
      error_description.error_reason.length_problem.
        actual_length = received_length;
      srverror_return_code = srverror(error_description);
    }

    if (srverror_return_code == 0)
    {
      if (strcmp(buffer,"123456789012345678"))
      {
        error_description.problem = CMRCV_BUFFER_ERROR;
        error_description.error_reason.data_problem.
          expected_data = "123456789012345678";
        error_description.error_reason.data_problem.
          actual_data = buffer;
        srverror_return_code = srverror(error_description);
      }
    }
  }
}

/*****
/*
/* At this point we have verified that all the information we
/* expected to receive has arrived. We have not examined the status
/* received field since we expected to receive no status. Just to
/* be complete, we will verify that we did in fact receive no status
/* and invoke the srverror function if status did turn up.
/* Note that this check occurs inside a conditional which ensures
/* that we only examine the status_received field when the return
/* code is CM_OK since the status field is not set for the
/* CM_DEALLOCATED_NORMAL return code (or other non-zero return codes)
/*
/*
*****/
```

Sample Client Program

```
if (srverror_return_code == 0)
{
  if (return_code == CM_OK)
  {
    if (status_received != CM_NO_STATUS_RECEIVED)
    {
      error_description.problem = CMRCV_STATUS_ERROR;
      error_description.error_reason.status_problem.
        expected_status = CM_NO_STATUS_RECEIVED;
      error_description.error_reason.status_problem.
        actual_status = status_received;
      srverror_return_code = srverror(error_description);
    }
  }
}
}

/*****
/*
/* At this point, the client has received the data from the server */
/* and could perform any processing required such as updating a */
/* local database with new information. */
/*
/*****
/*****
/*
/* As mentioned above, it is possible the notification of the end */
/* of the conversation might not have arrived on the first receive */
/* as a DEALLOCATED_NORMAL return code. In this case, we need to */
/* issue another CMRCV to get this return code. Note that we set */
/* the requested_length to zero for this receive since we expect no */
/* data to arrive. After the receive completes, the return code */
/* is inspected and the srverror function is invoked if an */
/* unexpected value is found. We also examine the data_received */
/* field to verify it is set to CM_NO_DATA_RECEIVED. */
/*
/*****/
```

```

if (srverror_return_code == 0)
{
if (return_code == CM_OK)
{
requested_length = 0;

cmrcv (conv_id,
buffer,
&requested_length,
&data_received,
&received_length,
&status_received,
&rts_received,
&return_code);

if (return_code != CM_DEALLOCATED_NORMAL)
{
error_description.problem = CMRCV_RET_CODE_ERROR;
error_description.error_reason.rc_problem.
expected_return_code = CM_DEALLOCATED_NORMAL;
error_description.error_reason.rc_problem.
actual_return_code = return_code;
srverror_return_code = srverror(error_description);
}

if (srverror_return_code == 0)
{
if (data_received != CM_NO_DATA_RECEIVED)
{
error_description.problem = CMRCV_DATA_RCV_ERROR;
error_description.error_reason.data_rcv_problem.
expected_data_rcve = CM_NO_DATA_RECEIVED;
error_description.error_reason.data_rcv_problem.
actual_data_rcv = data_received;
srverror_return_code = srverror(error_description);
}
}
}
}

/*****
/*
/* The function of the client is complete.
/*
/*
*****/
return srverror_return_code;
}

```

Appendix E. Sample Error Routine and Header File

This program is the error routine that can be called by either the sample server (see “Appendix C. Sample APPC/MVS Server” on page C-1) or sample client program (see “Appendix D. Sample Client Program” on page D-1) when an error is detected. When called, SRVERROR writes an error message (“An error has occurred”) to the server’s joblog and returns control.

This program uses variables defined in a separate C language header file. See “Header File” on page E-2.

Sample Error Routine and Header File

```
#include <STDIO.H>
#include <STRING.H>
#include <ATBCMC.H>
#include <ATBCTC.H>

int srverror();

{

    printf("An error has occurred\n");

    /*The error handling code should be placed here.          */
    /*                                                         */
    return;
}
```

Header File

This is the C language header file used to define error code variables for the sample error routine, SRVERROR. Compile this header file with both the sample client and server programs included in this book.

```
/******
/*
/*          SRVERROR HEADER FILE
/*
/* This is the header file for the sample error routine, SRVERROR.
/*
/* The calling program passes to SRVERROR information that
/* indicates the type of error that occurred and the expected and
/* actual value for the returned parameter which was in error.
/* This information is passed in the structure described below.
/*
/* SRVERROR examines the information, logs the error, if
/* appropriate, and returns one of the following return codes:
/*
/* no_server_error - indicates no serious error has occurred and
/*                   processing should continue normally.
/*
/* conversation_failure - indicates a failure in processing the
/*                   conversation. No further processing
/*                   should be done for this conversation.
/*                   If the calling program is a server,
/*                   the program does not end because of
/*                   this error.
/*
/* server_error - indicates a failure in processing for the server.
/*                   Server processing should be terminated.
/*
/******
int srverror();
#define no_server_error          0
#define conversation_failure    4
#define server_failure          8
```

Sample Error Routine and Header File

```
/*
*****
*/
/*
STRUCTURE FOR COMMUNICATING ERRORS
*/
/*
This data structure is passed to the SRVERROR function
to describe the error encountered. The first component
of the structure is the error_type, which is a numeric
value that describes the APPC callable service that
received an unexpected result and the parameter on
the call that appears to be in error.
*/
/*
Following the error_type indicator are the expected value
of the parameter apparently in error and the actual
value returned by the call. In the case of numeric
parameters, the values are passed in the structure.
In the case of character parameters, a pointer to the
character string is passed.
*/
*****
*/
struct {
    int problem;
    union {
        struct {
            long int expected_return_code;
            long int actual_return_code;
        } rc_problem;
        struct {
            long int expected_reason_code;
            long int actual_reason_code;
        } reason_problem;
        struct {
            char *expected_data;
            char *actual_data;
        } data_problem;
        struct {
            long int expected_status;
            long int actual_status;
        } status_problem;
        struct {
            long int expected_data_rcv;
            long int actual_data_rcv;
        } data_rcv_problem;
        struct {
            long int expected_length;
            long int actual_length;
        } length_problem;
    } error_reason;
} error_description;

#define ATBRFA2_RET_CODE_ERROR 168
#define ATBRAL2_RET_CODE_ERROR 176
#define ATBRAL2_REASON_CODE_ERROR 177
#define ATBURA2_RET_CODE_ERROR 188
#define CMALLC_RET_CODE_ERROR 202
#define CMDEAL_RET_CODE_ERROR 206
#define CMINIT_RET_CODE_ERROR 218
#define CMRCV_BUFFER_ERROR 220
#define CMRCV_DATA_RCV_ERROR 221
#define CMRCV_RCVD_LEN_ERROR 222
#define CMRCV_STATUS_ERROR 223
#define CMRCV_RET_CODE_ERROR 225
#define CMSEND_RET_CODE_ERROR 228
```

Sample Error Routine and Header File

A

access method control block (ACB). A control block that links an application program to an access method such as VSAM or VTAM.

access method. A software component in a processor for controlling the flow of information.

adjacent nodes. Nodes that are connected to a given node by one or more links with no intervening nodes.

Advanced Program-to-Program Communication (APPC). A set of inter-program communication services that support cooperative transaction processing in a SNA network. APPC is the implementation, on a given system, of SNA's logical unit type 6.2. See also *logical unit type 6.2* and *APPC/MVS*.

allocate queue. In APPC, a structure containing elements that represent requests to allocate (start) a conversation with an APPC/MVS server. APPC/MVS queues allocate requests on a first-in, first-out (FIFO) basis until they are selected (received) by an APPC/MVS server.

allocate queue keep time. An APPC/MVS server can specify a keep time for an allocate queue for which it is registered. Keep time is the number of seconds APPC/MVS maintains an allocate queue when there are no servers for an allocate queue. For example, keep time would take effect when the last server of an allocate queue unregisters.

allocate queue token. When an APPC/MVS server registers to serve inbound allocate requests, APPC/MVS returns an allocate queue token to the server. This token uniquely identifies the queue of allocate requests (or allocate queue) to be served. On subsequent calls to APPC/MVS services, the server uses the allocate queue token to indicate the allocate queue upon which a requested function is to be performed.

allocate request. In APPC, a request from a transaction program to allocate (start) a conversation with another transaction program. The request may be inbound (arriving from the network for a local transaction program) or outbound (going from a local transaction program onto the network).

APPC. See *Advanced Program-to-Program Communication*.

APPC component. The component of MVS that is responsible for extending LU 6.2 and CPI Communications services to applications running in any MVS address space. Includes APPC conversation and scheduling services.

APPC/MVS. The implementation of SNA's LU 6.2 and related communication services in the MVS base control program.

APPC/MVS server. In APPC, an MVS application program that uses the APPC/MVS Receive_Allocate callable service to process work requests on behalf of one or more requestor programs (client TPs). An APPC/MVS server can serve multiple client TPs serially or concurrently.

APPC/MVS transaction scheduler. A program supplied by APPC/MVS that is responsible for scheduling, initiating, and terminating MVS TPs in response to inbound work requests.

APPC/VM. The implementation of APPC on a VM system.

APPC/VTAM. The implementation of APPC on VTAM.

Application-to-application communication. A set of inter-program communication services that support cooperative transaction processing in an SNA network. See also *logical unit type LU 6.2*.

application. A collection of software components, or programs, used to perform specific types of user-oriented work on a computer. Compare with *distributed application*.

B

backout. The process of restoring data changed by an application program to the state at its last sync point. Synonymous with *rollback* and *abort*

base logical unit. In APPC/MVS, the default logical unit for outbound work. When a transaction program allocates a conversation but leaves the *Local_LU_name* parameter blank, the system can use a base LU to handle the conversation. A base LU can be associated with a transaction scheduler, or it can be a NOSCHED LU.

See also *system base LU*.

basic conversation. A type of conversation in which programs exchange data records in an SNA-defined format. This format is a stream of data containing 2-byte length prefixes that specify the amount of data to follow before the next prefix. Contrast with mapped conversation.

bind. In SNA, a request to activate a session between two logical units.

boundary function. A capability of a subarea node to provide protocol support for attached peripheral nodes.

C

call. See *communication call*.

change number of sessions. This is a set of verbs provided by SNA that allow an application to change the (LU,mode) session limit, which controls the number of LU-LU sessions per mode name that are available between two LUs for allocation to conversations.

class of service. A designation of the path control network characteristics, such as path security, transmission priority, and bandwidth, that apply to a particular session.

client. A functional unit that receives shared services from a server.

client/server. The model of interaction in distributed data processing in which a program at one site sends a request to a program at another site and awaits a response. The requesting program is called a client; the answering program is called a server.

CNOS. See *change number of sessions*.

commit. (1) To end the current scope of recovery and begin a new one. (2) To make all changes permanent that were made to one or more database files since the last commit or backout operation, and make the changed records available to other users.

committed change. A database change that will not be backed out during system failure. Changes made by a logical unit of work are committed when the sync point at the end of the logical unit of work is complete.

Common Programming Interface. Provides languages, commands and calls that allow the development of applications that are more easily integrated and moved across multiple environments.

communication call. A conversation statement that transaction programs can issue to communicate through the LU 6.2 protocol boundary. The specific calls that a transaction program can issue are determined by the program's current conversation state. See also *verb*.

communication controller node. A subarea node that contains a network control program.

communications interface. A uniform set of calls within the Common Programming Interface that different systems use to request services. See also *communication call* and *verb*.

configuration. The arrangement of a computer system or network as defined by the nature, number, and chief characteristics of its functional units.

contention loser. When the LUs at both ends of a session request to allocate a conversation simultaneously, the contention loser is the LU that must

request and receive permission from the session partner LU to allocate the conversation. Contrast with **contention winner**.

contention winner. When the LUs at both ends of a session request to allocate a conversation simultaneously, the contention winner is the LU that can allocate the conversation without requesting permission from the session partner LU. Contrast with **contention loser**.

conversation. A logical connection between two programs over an LU type 6.2 session that allows them to communicate with each other while processing a transaction. See also *basic conversation* and *mapped conversation*.

conversation characteristics. The attributes of a conversation that determine the functions and capabilities of programs within the conversation.

conversation_ID. An 8-byte identifier, used in Get_Conversation calls, that uniquely identifies a conversation. It is returned from APPC/MVS on the CMINIT, ATBALC2, ATBALLC, ATBGETC, and ATBRAL2 calls and is required as input on subsequent APPC/MVS calls.

conversation partner. One of the two programs involved in a conversation.

conversation state. The condition of a conversation that reflects what the past action on that conversation has been and that determines what the next set of actions may be.

coupling services. In a sysplex, the functions of XCF that transfer data and status among members of a group residing on one or more MVS systems in the sysplex.

CPI. See *Common Programming Interface*.

cross-system coupling facility (XCF). XCF provides the MVS coupling services that allow programs on MVS systems in a multisystem environment to communicate (send and receive data) with programs on MVS systems.

D

database token. In APPC/MVS, a 1- through 8-character name used in a security definition to represent a TP profile or side information file name.

data channel. A device that connects a processor and main storage with I/O control units.

data link control protocol. Specifications for interpreting control data and transmitting data across a link.

directory services. Services for resolving user identifications of network components to network routing information.

domain. A system services control point (SSCP) and the resources that it can control.

E

end user. The ultimate source or destination of data flowing through an SNA network. An end user can be an application program or a workstation operator.

event queue. Each APPC/MVS server can be associated with an event queue. A server can request to be notified of events related to an allocate queue for which it is registered. When such an event occurs, APPC/MVS places an element on the server's event queue. The server can determine which event occurred by examining the element (through the Get_Event service).

F

FMH-5. Functional Management Header 5 -- an SNA data structure that APPC uses to pass requests to allocate transaction program conversations between logical units.

fully qualified name. Synonym for *network-qualified name*.

G

generic resource name. A name that represents multiple APPC/MVS logical units (LUs) that provide the same function in order to handle session distribution and balancing.

generic userid. In APPC/MVS, a userid, specified in the TP profile, that provides the initial security environment for a multi-trans TP. The generic userid covers the TP's initial processing until a successful Get_Transaction call is made. The generic userid also covers termination processing, and any processing following a Return_Transaction call until a subsequent successful Get_Transaction call.

H

half-duplex protocol. A communications protocol where only one communications partner can send data at a time.

host node. A subarea node that contains a system services control point.

I

inbound request. A request arriving at a logical unit (LU) from a partner transaction program. The LU must establish the environment and start the local transaction program that is to handle the request. See also *allocate request*.

inbound transaction program. A transaction program on MVS that is initiated and scheduled in response to an inbound request from a partner transaction program. Contrast with *outbound transaction program*.

J

JCL. See *Job Control Language*.

JECL. See *Job Entry Control Language*.

Job Control Language. A problem-oriented language designed to express statements in a job that identify the job or describe its requirements to an operating system.

Job Entry Control Language. A problem-oriented language designed to express statements in a job that describe its requirements to an operating system's job entry subsystem.

jobid. See *job identifier*.

job identifier. The job identifier is a unique value that can be used to uniquely identify a JES job.

K

keep time. see *allocate queue keep time*

L

layer. A layer is a grouping of related functions that are logically separate from other functions; the implementation of the functions in one layer can be changed without affecting functions in other layers.

link. A link is a transmission medium and data link control component that together transmit data between adjacent nodes.

local transaction program. The program being discussed within a particular context. Contrast with partner transaction program.

logical unit. A port providing formatting, state synchronization, and other high-level services through which an end user communicates with another end user over an SNA network.

logical unit of work. The processing a program performs from one sync point to the next.

logical unit type 6.2. The SNA logical unit type that supports general communication between programs in a cooperative processing environment; the SNA logical unit type on which CPI communications and APPC/MVS TP conversation services are built.

logon mode. A logon mode contains the parameters and protocols that determine a session's characteristics. Logon modes are defined in VTAM's mode table in SYS1.VTAMLIB.

LU. See *logical unit*.

LU=local. In APPC/MVS, a situation in which a pair of communicating transaction programs are on the same MVS system.

LU=own. In SNA terms, a situation in which a pair of communicating transaction programs are defined to the same logical unit (LU).

M

management services. In SNA, functions distributed among network components to operate, manage, and control the network.

mapped conversation. A type of conversation in which programs exchange data records with arbitrary data formats agreed upon by the applications programmers. Mapped conversations use mapped verbs that do not require the prefix information used in basic verbs. Contrast with basic conversation.

mode name. A symbolic name for a set of session characteristics. For LU 6.2, a mode name and a partner LU name together define a session or a group of parallel sessions having the same characteristics.

multi-trans. Multi-trans scheduling allows properly designed TPs to remain active between conversations and handle multiple inbound conversations in sequence, without having to deallocate and reallocate resources. Because they can be accessed by multiple users, multi-trans TPs are responsible for the security of their resources and conversations. Contrast with *standard*.

multi-trans shell. The outer level of a transaction program with a TP_schedule_type of multi-trans, which sets up an environment and accepts inbound conversation requests in sequence by calling the Get_Transaction (ATBGTRN) service. The shell may also call the Return_Transaction (ATBRTRN) service to restore its shell environment for other processing between conversations. For more information, see *TP_Schedule_Type*.

N

network addressable unit. A logical unit, physical unit, or system services control point.

network-qualified name. A name that uniquely identifies a specific resource (such as an LU) within a specific network. It consists of a network identifier and a resource name, each of which is a 1- to 8-byte symbol string. Synonymous with *fully qualified name*.

node. An end point of a link, or a junction common to two or more links in a network. Nodes can be processors, controllers, or workstations. Nodes can vary in routing and other functional capabilities.

NOSCHED logical unit (LU). In APPC/MVS, a logical unit (LU) that is not associated with a transaction scheduler. Such LUs do not require a transaction scheduler to be started to be active. NOSCHED LUs are used by outbound transaction programs and APPC/MVS servers.

O

one-way-half duplex. The format of APPC communications between two transaction programs. One transaction program is in 'send' state and the other is in 'receive' state.

outbound request. A request arriving at a logical unit (LU) from a local transaction program. The LU must place the request on the SNA network. See also *allocate request*.

outbound transaction program. In APPC, a transaction program that requests a conversation with a partner (inbound) transaction program. The outbound TP issues an allocate request to allocate (start) the conversation. Contrast with *inbound transaction program*.

P

padding. A technique by which a receiving component controls the rate of transmission by a sending component to prevent overrun or congestion.

partner. See *conversation partner*.

partner transaction program. The program at the other end of a conversation with respect to the local program. Contrast with *local program*.

peripheral node. A node that uses local addresses and therefore is not affected by changes in network addresses. A peripheral node requires boundary function assistance from an adjacent subarea node.

persistent sessions. The option for VTAM persistent sessions allows LU-LU sessions to remain active during interruptions in APPC/MVS service and preserves conversation requests until APPC/MVS service resumes. The PSTIMER parameter in the APPCPMxx parmlib member's LUADD statement controls whether sessions persist and for how long.

persistent verification. Persistent verification (PV) is a way of reducing the number of password transmissions, by eliminating the need to provide a userid and password on each attach (allocate) during multiple conversations between a user and a remote LU. The user is verified during the sign-on process and remains verified until the user has been signed-off the remote LU.

physical unit. The component that manages and monitors the resources of a node as requested by a system services control point.

privilege. An identification that a product or installation defines in order to differentiate SNA service transaction programs from other programs, such as application programs.

protected conversation. An LU 6.2 conversation that has a synchronization level of syncpt, and that supports two-phase commit protocols for resource recovery and resynchronization protocols. Contrast with *unprotected conversation*.

protected resource. (1) A resource defined to RACF for the purpose of controlling access to the resource. Some of the resources that can be protected by RACF are DASD and tape data sets, DASD volumes, tape volumes, terminals, and any other resources defined in the class descriptor table. (2) A resource (for example, a database) that can be modified only in accordance with two-phase commit protocols.

protocol. The meaning of, and the sequencing rules for, requests and responses used for managing a network, transferring data, and synchronizing the states of network components.

protocol boundary. A software connection between nodes that provides program-to-program communication through either a set of conversation verbs or high-level language subroutine calls.

PU. See *physical unit*.

R

receive state. The condition of a conversation in which a transaction program can receive data.

registered transaction program. A transaction program that performs a specialized function on behalf of an LU.

resource. Any facility of a computing system or operating system required by a job or task, and including main storage, input/output devices, the processing unit, data sets, and control or processing programs.

S

SDLC. See *Synchronous Data Link Control*.

SDSF. See *System Display and Search Facility*.

security information. For APPC/MVS, a userid, password, and security profile name passed on an allocate request from a transaction program to its partner. The partner's system can verify the information and permit or deny the request accordingly.

security profile. For APPC/MVS, an optional character string passed as security information on an allocate request from a transaction program to its partner. When the partner is on MVS with RACF protection, the system treats the security profile as a RACF groupid, and can verify that the requester has access to that group.

send state. The condition of a conversation in which a transaction program can send data or request resource synchronization.

served transaction program (TP). In APPC/MVS, a transaction program that is processed by an APPC/MVS server, rather than by a partner TP that has been scheduled by a transaction scheduler.

server. A functional unit that provides shared services to workstations over a networks; for example, a file server, a print server, a mail server. See also *APPC/MVS server*.

session. A logical connection between two logical units that can be activated, tailored to provide various protocols, and deactivated as requested.

shell, multi-trans. See *multi-trans shell*.

shell, test. See *test shell*.

side information. A collection of system-defined values for transaction programs whose partners call them by symbolic destination names (sym_dest_names). When a transaction program calls its partner by a sym_dest_name, APPC uses the associated values to establish a conversation between them.

SJF. See *scheduler JCL facility*.

SNA. See *Systems Network Architecture*

SNA service transaction program. An IBM-supplied transaction program running in an LU that provides utility services to application transaction programs or that manages LUs.

SPI. See *systems programming interface*.

SSCP. See *system services control point*.

SSI. See *subsystem interface*.

standard. The standard TP_Schedule_Type for APPC/MVS. TPs that are scheduled as standard are initialized and terminated for each inbound conversation. Contrast with *multi-trans*.

standard transaction program. See *transaction program*.

state. See *conversation state*.

state transition. The act of moving from one conversation state to another.

subarea. A portion of an SNA network that consists of a subarea node, and any attached links and peripheral nodes.

subordinate address space. An address space, managed by a transaction scheduler, in which a transaction program runs.

subsystem interface. The subsystem interface (SSI) is the means by which MVS system routines request services of the master subsystem, a job entry subsystem, or any subsystem defined to MVS through the subsystem definition process.

symbolic destination name. A variable that specifies the symbolic name of the destination LU and partner program, as well as the mode name for the session carrying the conversation. The symbolic destination name is provided by the transaction program and points to an entry in the side information.

Synchronous Data Link Control. A discipline for managing synchronous, code-transparent, serial-by-bit, information transfer over a link. SDLC conforms to subsets of the Advanced Data Communication Control Procedures (ADCCP) of the American National Standards Institute and High-level Data Link Control (HDLC) of the International Standards Organization.

sync point. An intermediate or end point during processing of a transaction at which an update or modification to one or more of the transaction's protected resources is logically complete and error free. Synonymous with *synchronization point*, *commit point*, and *point of consistency*.

sync point manager (SPM). The component of the node that implements two-phase commit and resynchronization processing. In an MVS system, the component is RRS.

SYSOUT. A system output stream; also, an indicator used in data definition statements to signify that a data set is to be written on a system output unit.

sysplex. A sysplex (systems complex) is the set of one or more MVS systems that is given an XCF sysplex name and in which programs in the systems can then use XCF services.

system base LU. A logical unit that is the default LU for outbound work requests from MVS programs (TSO/E users, started tasks, and other work) that are not associated with a scheduler or an LU. The system base LU is either:

- An LU defined with the NOSCHED and BASE parameters, or
- If a base NOSCHED LU is not defined, the LU defined as the base LU for the APPC/MVS transaction scheduler.

System Display and Search Facility. The System Display and Search Facility is a program product that acts as a system management aid allowing users to efficiently analyze and control the operation of an MVS/JES2-based system.

system services control point. A focal point within an SNA network for managing the configuration, coordinating network operator and problem determination requests, and providing directory services and other session services for end users of a network. Multiple SSCPs, cooperating as peers with one another, can divide the network into domains of control, with each SSCP having a hierarchical control relationship to the physical units and logical units within its own domain.

Systems Network Architecture (SNA). A description of the logical structure, formats, protocols, and operational sequences for transmitting information units through, and controlling the configuration and operation of networks.

systems programming interface (SPI). Provides languages, commands and calls that allow the development of applications that are more easily integrated and moved across multiple environments.

T

telecommunication link. A physical medium, such as a wire or microwave beam, that is used to transmit data.

test shell. A program that sets up an environment to test transaction programs in its own address space, using APPC/MVS Test services. The TSO/E TEST command is an example of a test shell.

TP. See *transaction program*.

TP instance. A copy of a transaction program (TP) on MVS, scheduled and initiated in response to an inbound allocate request. A TP instance differs from a TP in that a TP is a program using communication functions and a TP instance is the actual processing of those functions in MVS. Multiple instances of the same TP can run simultaneously, each in response to a separate request and on behalf of a different user.

See also *TP_ID*.

TP message log. A log that contains runtime messages for a transaction program. The parameters that define the TP message log are in the program's TP profile and in an ASCHPMxx parmlib member.

TP profile. The information required to establish the environment for and attach a transaction program on MVS, in response to an inbound allocate request for that transaction program.

TP_ID. Transaction Program Identifier: a unique 8-character token that APPC/MVS assigns to each instance of a transaction program. When multiple instances of a transaction program are running simultaneously, they have the same transaction program name, but each has a unique TP_ID.

TP_Schedule_Type. A type of transaction program, based on attributes provided by the transaction programmer. Those attributes can influence the performance of the transaction program, and must be reflected in the TP profile. For more information about specific TP_Schedule_Types in APPC/MVS, see *standard* and *multi_trans*.

transaction. A unit of work performed by one or more transaction programs, involving a specific set of input data and initiating a specific process or job.

transaction initiator. A program that runs in a subordinate address space of the APPC/MVS transaction scheduler and initiates an APPC transaction program in response to an inbound request.

transaction program (TP). A program used for cooperative transaction processing within an SNA network. For APPC/MVS, any program on MVS that issues APPC/MVS or CPI Communication calls, or is scheduled by the APPC/MVS transaction scheduler.

transaction scheduler. A scheduler program that is responsible for job management of incoming work requests from cooperative transaction programs. The default transaction scheduler for APPC/MVS is the APPC/MVS transaction scheduler; however, an installation can define and use alternative transaction schedulers for specific applications.

two-phase commit. (1) The protocol that permits updates to protected resources to be committed or backed out as a unit. During the first phase, resource managers are asked if they are ready to commit. If all resource managers respond positively, they are asked to commit their updates. Otherwise, the resource managers are asked to back out their updates. (2) The protocols used by the sync point manager to accomplish a commit operation.

U

unit of recovery. A sequence of operations within a unit of work between sync points.

unit_of_work_id. An 8-character ID assigned by a transaction scheduler to an inbound allocate request. The APPC/MVS transaction scheduler uses this value as the job ID when the inbound TP is initiated on MVS.

unprotected conversation. An LU 6.2 conversation that has a synchronization level of none or confirm. If conversation errors or failures occur, the resources used by the application might be in inconsistent states. Contrast with *protected conversation*.

userid. (1) A symbol identifying a system user. (2) A code that uniquely identifies a user to the system.

user token. A collection of identity and security information that represents a user or a job. The token contains a userid, groupid, security class, origin node, and session type, where session type is TSO/E logon, started task, batch job, operator, or trusted computing base.

UTOKEN. See *user token*.

V

verb. The SNA term for a conversation function that transaction programs can use to communicate with each other through the LU 6.2 protocol boundary. The SNA verbs provide similar functions but are implemented differently on the different systems (MVS, VM, OS/2 and OS/400) that support them. See also *communication call*.

W

work_unit_identifier (WUID). See *unit_of_work_id*.

X

XCF. See *cross-system coupling facility*.

Index

Numerics

- 00640 character set
 - contents A-1
- 01134 character set
 - contents A-1

A

- abend codes
 - for Get_Event service 4-6
 - for Query_Allocate_Queue service 4-11
 - for Receive_Allocate service 4-17
 - for Register_For_Allocates service 4-25
 - for Set_Allocate_Queue_Attributes service 4-28
 - for Set_Allocate_Queue_Notification service 4-33
 - for Unregister_For_Allocates service 4-37
- accounting considerations
 - for APPC/MVS servers 2-26
- advanced server functions
 - description 2-12
- allocate queue
 - creation 1-4, 2-2
 - maintained during interruptions 2-22
 - management 1-7
 - overview 1-4
 - size 2-13
- allocate queue keep time
 - description 2-22
- allocate_queue_keep_time parameter
 - on Set_Allocate_Queue_Attributes service 4-27
- allocate_queue_oldest parameter
 - on Query_Allocate_Queue service 4-9
- allocate queue service 2-2
- allocate_queue_size parameter
 - on Query_Allocate_Queue service 4-9
- allocate queue token 2-4
 - used to receive conversations 2-4
- allocate_queue_token parameter
 - on Query_Allocate_Queue service 4-8
 - on Receive_Allocate service 4-13
 - on Register_For_Allocates service 4-23
 - on Set_Allocate_Queue_Attributes service 4-27
 - on Set_Allocate_Queue_Notification service 4-31
 - on Unregister_For_Allocates service 4-36
- APPC/MVS allocate queue service
 - accounting considerations 2-26
 - call syntax 3-1
 - Get_Event service 2-20, 4-1
 - invocation details 3-1
 - overview 1-4
 - performance considerations 2-27
 - Query_Allocate_Queue service 2-13, 4-6
 - Receive_Allocate service 2-6, 4-11
 - Register_For_Allocates service 2-2, 4-18
 - Set_Allocate_Queue_Attributes service 2-22, 4-25
 - Set_Allocate_Queue_Notification service 2-14, 4-29
 - syntax 3-1

- APPC/MVS allocate queue service (*continued*)
 - Unregister_For_Allocates service 2-10, 4-34
 - using 2-1
- APPC/MVS server
 - APPCSERV class 2-4, 2-27
 - controlling access to client TP 2-4
 - creation 2-2
 - description 1-4
 - diagnosing problems 2-28
 - installation 2-27
 - multi-tasking models 2-23
 - processing
 - overview 1-6
 - registration 2-2
 - sample code C-1
 - security considerations 2-4
 - setting up security 2-27
 - using multiple servers 2-11
- APPC/MVS server facilities
 - overview 1-3, 1-4
 - relation to client/server programming 1-3, 1-4
- APPCSERV class 1-8
 - controls access to client TP 2-4
 - defining 2-27
- assembler programming language
 - call syntax 3-2
- asynchronous processing
 - using the notify_type parameter 2-2
- ATBGTE2 service 2-20
- ATBQAQ2 service 2-13
- ATBRAL2 service 2-6
- ATBRFA2 service 2-2
- ATBSAN2 service 2-14
- ATBSAQ2 service 2-22
- ATBURA2 service 2-10

B

- basic server functions
 - description 2-2

C

- C programming language
 - call syntax 3-1
 - sample client program D-1
 - sample error handling routine E-1
 - sample header file E-1
 - sample server program C-1
- call syntax
 - for allocate queue callable services 3-1
- character set
 - used in APPC/MVS A-1
- client program
 - sample code D-1
- client/server programming
 - description 1-1
- COBOL programming language
 - call syntax 3-1

- conversation 2-9
- conversation ID 2-8
 - returned by Receive_Allocate service 2-8
 - used by APPC/MVS server 2-8
- conversation_ID parameter
 - on Receive_Allocate service 4-15
- conversation mode name 2-8
 - returned by Receive_Allocate service 2-8
- conversation type 2-8
 - returned by Receive_Allocate service 2-8
- conversation_type parameter
 - on Receive_Allocate service 4-15

D

- database token
 - used to define security access 2-4, 2-27
- dbtoken 2-27
- distributed applications
 - overview 1-1

E

- ECB (event control block)
 - used with asynchronous services 2-2
- event buffer 2-21
 - specifying 2-21
- event_buffer_length parameter
 - on Get_Event service 4-4
- event_buffer parameter
 - on Get_Event service 4-4
- event_code parameter
 - on Get_Event service 4-3
 - on Set_Allocate_Queue_Notification service 4-32
- event element
 - retrieving 2-20
- event_element_size
 - on Get_Event service 4-5
- event_get_type parameter
 - on Get_Event service 4-3
- event notification
 - clean-up processing 2-20
 - effect of Unregister_For_Allocates service 2-21
 - event buffer
 - specifying 2-21
 - event element
 - retrieving 2-20
 - receiving notification 2-13, 2-14
 - specifying threshold 2-14
- event_notification_type parameter
 - on Set_Allocate_Queue_Notification service 4-31
- event_qualifier parameter
 - on Set_Allocate_Queue_Notification service 4-32
- event queue
 - description 2-14
- event threshold
 - description 2-14
- event_timestamp parameter
 - on Get_Event service 4-4

F

- filter parameter
 - partner LU 2-3
 - profile 2-3
 - search order 2-3
 - user ID 2-3
- FORTRAN programming language
 - call syntax 3-1

G

- Get_Attributes service
 - using 2-9
- Get_Event service
 - reference information 4-1
 - using 2-20

H

- high level language
 - C 3-1
 - FORTRAN 3-1
 - PL/I 3-1
 - REXX 3-1

I

- inbound conversation
 - APPC/MVS processing
 - overview 1-5
 - processed by APPC/MVS server 1-3, 1-4
 - rejecting 2-9
 - server registration 2-2

J

- JES services
 - used by APPC/MVS servers 2-2

K

- keep time 2-22

L

- last_rec_alloc_issued parameter
 - on Query_Allocate_Queue service 4-9
- last_rec_alloc_returned parameter
 - on Query_Allocate_Queue service 4-10
- local LU (logical unit) 2-5
 - restrictions 2-5
 - specifying on register request 2-5
- local LU name
 - specified by APPC/MVS server 2-3
- local_LU_name parameter
 - on Query_Allocate_Queue service 4-9
 - on Register_For_Allocates service 4-21

M

mode_name parameter
on Receive_Allocate service 4-15
multi-tasking servers 2-23

N

NOSCHED LU (logical unit) 1-8
defining 2-27
description 1-9
using 2-5
notify type 2-7
specified on Receive_Allocate request 2-7
notify_type parameter
on Get_Event service 4-3
on Query_Allocate_Queue service 4-8
on Receive_Allocate service 4-13
on Register_For_Allocates service 4-19
on Set_Allocate_Queue_Attributes service 4-26
on Set_Allocate_Queue_Notification service 4-30
on Unregister_For_Allocates service 4-35

P

partner LU 2-3
partner LU name 2-8
returned by Receive_Allocate service 2-8
used in server registration 2-3
partner_LU_name parameter
on Receive_Allocate service 4-15
on Register_For_Allocates service 4-21
performance considerations
for allocate queue services 2-27
PL/I programming language
call syntax 3-1
profile 2-3
returned by Receive_Allocate service 2-9
used in server registration 2-3
profile parameter
on Receive_Allocate service 4-16
on Register_For_Allocates service 4-23

Q

Query_Allocate_Queue service
reference information 4-6
using 2-13

R

reason_code parameter
on Get_Event service 4-5
on Query_Allocate_Queue service 4-10
on Receive_Allocate service 4-16
on Register_For_Allocates service 4-23
on Set_Allocate_Queue_Attributes service 4-27
on Set_Allocate_Queue_Notification service 4-33
on Unregister_For_Allocates service 4-36
Receive_Allocate service
allowing the request to wait 2-7
reference information 4-11

Receive_Allocate service (*continued*)
specifying the notify type 2-7
specifying the timeout value 2-7
using 2-6, 2-7
receive_allocate_type parameter
on Receive_Allocate service 4-14
Register_For_Allocates service
reference information 4-18
using 2-2
registration 1-4
Reject_Conversation service
using 2-9
rejecting conversations 2-9
resource management
using APPC/MVS servers 1-3
return_code parameter
on Get_Event service 4-5
on Query_Allocate_Queue service 4-10
on Receive_Allocate service 4-17
on Register_For_Allocates service 4-24
on Set_Allocate_Queue_Attributes service 4-28
on Set_Allocate_Queue_Notification service 4-33
on Unregister_For_Allocates service 4-36
REXX programming language
call syntax
for APPC/MVS service 3-1

S

search order
for filter parameters 2-3
security profile 2-9
server
defined 1-1
server registration
considerations 2-6
defined 1-4
overview 2-2
search order for filters 2-3
specifying filters 2-3
Set_Allocate_Queue_Attributes service
reference information 4-25
using 2-22
Set_Allocate_Queue_Notification service
reference information 4-29
using 2-14
side information
used for server registration 2-3
SRVERROR routine
sample code E-1
sym_dest_name parameter
on Register_For_Allocates service 4-20
symbolic destination name 2-3
used for server registration 2-3
symptom records
for APPC service failures B-5
sync_level parameter
on Receive_Allocate service 4-16
synchronization level 2-8
returned by Receive_Allocate service 2-8

T

- threshold 2-14
- timeout value
 - specified on Receive_Allocate request 2-7
- timeout_value parameter
 - on Receive_Allocate service 4-14
- TP name
 - defined to APPCSERV security class 2-4
 - specified by APPC/MVS server 2-3
- TP_name_length parameter
 - on Query_Allocate_Queue service 4-9
 - on Register_For_Allocates service 4-21
- TP_name parameter
 - on Query_Allocate_Queue service 4-9
 - on Register_For_Allocates service 4-21
- TP profile
 - using a null data set 2-27
- transaction program
 - characters used in name A-1
- transaction scheduler
 - compared with APPC/MVS server 1-4
- type A character set
 - contents A-1

U

- Unregister_For_Allocates service
 - reference information 4-34
 - using 2-10
- user ID 2-3
 - returned by Receive_Allocate service 2-9
 - used in server registration 2-3
- user_ID parameter
 - on Receive_Allocate service 4-16
 - on Register_For_Allocates service 4-23

W

- workload balancing
 - description 2-13

Readers' Comments — We'd Like to Hear from You

OS/390
MVS Programming:
Writing Servers
for APPC/MVS

Publication No. GC28-1774-03

Overall, how satisfied are you with the information in this book?

	Very Satisfied	Satisfied	Neutral	Dissatisfied	Very Dissatisfied
Overall satisfaction	<input type="checkbox"/>	<input type="checkbox"/>	<input type="checkbox"/>	<input type="checkbox"/>	<input type="checkbox"/>

How satisfied are you that the information in this book is:

	Very Satisfied	Satisfied	Neutral	Dissatisfied	Very Dissatisfied
Accurate	<input type="checkbox"/>	<input type="checkbox"/>	<input type="checkbox"/>	<input type="checkbox"/>	<input type="checkbox"/>
Complete	<input type="checkbox"/>	<input type="checkbox"/>	<input type="checkbox"/>	<input type="checkbox"/>	<input type="checkbox"/>
Easy to find	<input type="checkbox"/>	<input type="checkbox"/>	<input type="checkbox"/>	<input type="checkbox"/>	<input type="checkbox"/>
Easy to understand	<input type="checkbox"/>	<input type="checkbox"/>	<input type="checkbox"/>	<input type="checkbox"/>	<input type="checkbox"/>
Well organized	<input type="checkbox"/>	<input type="checkbox"/>	<input type="checkbox"/>	<input type="checkbox"/>	<input type="checkbox"/>
Applicable to your tasks	<input type="checkbox"/>	<input type="checkbox"/>	<input type="checkbox"/>	<input type="checkbox"/>	<input type="checkbox"/>

Please tell us how we can improve this book:

Thank you for your responses. May we contact you? Yes No

When you send comments to IBM, you grant IBM a nonexclusive right to use or distribute your comments in any way it believes appropriate without incurring any obligation to you.

Name

Address

Company or Organization

Phone No.



Fold and Tape

Please do not staple

Fold and Tape



NO POSTAGE
NECESSARY
IF MAILED IN THE
UNITED STATES

BUSINESS REPLY MAIL

FIRST-CLASS MAIL PERMIT NO. 40 ARMONK, NEW YORK

POSTAGE WILL BE PAID BY ADDRESSEE

IBM Corporation
Department 55JA, Mail Station P384
522 South Road
Poughkeepsie, NY
12601-5400



Fold and Tape

Please do not staple

Fold and Tape



Program Number: 5647-A01



Printed in the United States of America
on recycled paper containing 10%
recovered post-consumer fiber.

GC28-1774-03

