

3890/XP Document Processor



Optical Character Processor Parts Catalog Maintenance Library

3890/XP Document Processor



Optical Character Processor Parts Catalog Maintenance Library

This Parts Catalog (PC) contains listings and illustrations of all replaceable assemblies and detail parts for the 3890/XP Document Processor Optical Character Processor.

For 3890/XP Document Processor Microfilm Frame parts, see G124-0132.

For 3890/XP Document Processor Stacker Frame parts, see G124-0141.

For 3890/XP Document Processor Power Frame parts, see GA34-2097.

For 3890/XP Document Processor Feed Frame parts, see GA34-2177.

Fourth Edition (September 1997)

This catalog, GA34-2177-02, is a major revision and obsoletes all previous editions. Changes that affect this catalog are made periodically; any such changes will be reported in subsequent revisions.

This catalog may contain reference to, or information about, IBM products (machines and programs), programming, or services that are not announced in your country. Such references or information must not be construed to mean that IBM intends to announce such IBM products, programming, or services in your country.

Publications are not stocked at the address given below; requests for IBM publications should be made to your IBM representative or to the IBM branch office serving your locality.

This catalog was prepared by International Business Machines Corporation, Department 78L, 8501 IBM Drive, Charlotte, NC 28262-8563, USA.

A form is provided at the back of this manual for reader's comments. If this form has been removed, comments may be sent to the above address. IBM may use or distribute any of the information you supply in any way it believes appropriate without incurring any obligation to you. You may, of course, continue to use the information you supply.

IBM has prepared this maintenance manual for the use of IBM customer service representatives in the installation, maintenance, and repair of the specific machines indicated. IBM makes no representations that it is suitable for any other purpose.

The drawings and specifications contained herein shall not be reproduced in whole or in part without written permission.

How To Use This Parts Catalog

- **SIMILAR ASSEMBLIES:** If two assemblies contain a majority of identical parts, they are broken down on the same list. Common parts are shown by one index number. Parts peculiar to one or the other of the assemblies are listed separately and identified by description.

- **AR: (As Required)** in the Units column indicates that the quantity is not the same for all machines.

- **NP: (Non-Procurable)** in the Units column indicates that the part is non-procurable and that the individual parts or the next higher assembly should be ordered.

- **NR: (Not Recommended)** in the Units column indicates that the part is procurable but not recommended for field replacement, and that the next higher assembly should be ordered.

- **R: (Restricted)** in the Units column indicates that the part has a restricted availability.

- **INDENTURE:** The indenture is marked by a series of dots located before the parts description. The indenture indicates the relationship of a part to the next higher assembly. For example:

Indenture	Relationship of Parts
(No dot)	MAIN ASSEMBLY
(One dot)	• Detail parts of a main assembly
(One dot)	• Subassembly of the main assembly
(Two dot)	• • Detail part of a one-dot subassembly
(Two dot)	• • Subassembly of a one-dot subassembly
(Three dot)	• • • Detail part of a two-dot subassembly

Assembly *n*: EXAMPLE ASSEMBLY

Asm-Index	Part Number	Units	Description
<i>n</i> -		1	Cover Asm.Rear-Red
-		1	Cover Asm.Rear-White
			For Next Higher Assembly, See 1-2
-1	5373637	1	• Seal, Top
-2	5356429	2	• Clip, Retaining
-3	1847630	R	• Finger Stock Asm
-4	1847602	NR	• • Channel, Finger Stock
-5	5373639	AR	• Seal, Bottom
-6	5356429	2	• Clip, Retaining
-7		NP	• Cover, Rear, Without Paint
-8	416629	2	• Screw, Panel

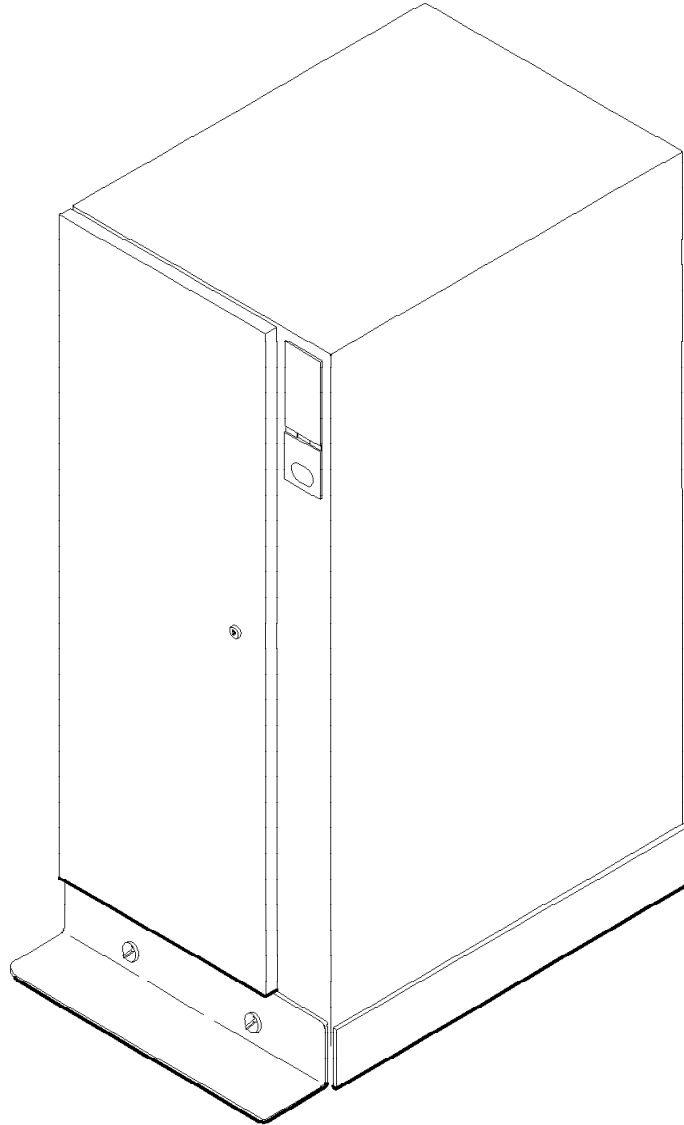
Assemblies

Bookshelf	16
Card Gate and Fans	10
Keyboard and Monitor	4
OCP Cover Assembly	2
OCP Frame Assembly	18
OCP Gate Assembly	12
Power Supply	14
Screen Covers	8
System Unit	6
389X/XP Document Processor Cable Assemblies	20

Figures

1.	Master Visual Index (B1LEPMST)	ix
2.	Visual Index I (B1LEPVIS)	x
3.	OCP Cover Assembly (B1LEP001)	2
4.	OCP Final Assembly, Keyboard and Monitor (B1LEP002)	4
5.	OCP Final Assembly, System Unit (B1LEP003)	6
6.	OCP Final Assembly, Screen Covers (B1LEP004)	8
7.	OCP Final Assembly, Card Gate and Fans (B1LEP005)	10
8.	OCP Gate Assembly (B1LEP006)	12
9.	OCP Final Assembly, Power Supply (B1LEP007)	14
10.	OCP Final Assembly, Bookshelf (B1LEP008)	16
11.	OCP Frame Assembly (B1LEP009)	18
12.	389X/XP Document Processor Cable Assemblies (B1LEP010)	20
13.	389X/XP Document Processor Cable Assemblies (B1LEP011)	22
14.	389X/XP Document Processor Cable Assemblies (B1LEP020)	24
15.	389X/XP Document Processor Cable Assemblies (B1LEP021)	26

Master Visual Index



389X/XP OCP DOCUMENT PROCESSOR

Figure 1. Master Visual Index (B1LEPMST)

Visual Index I.

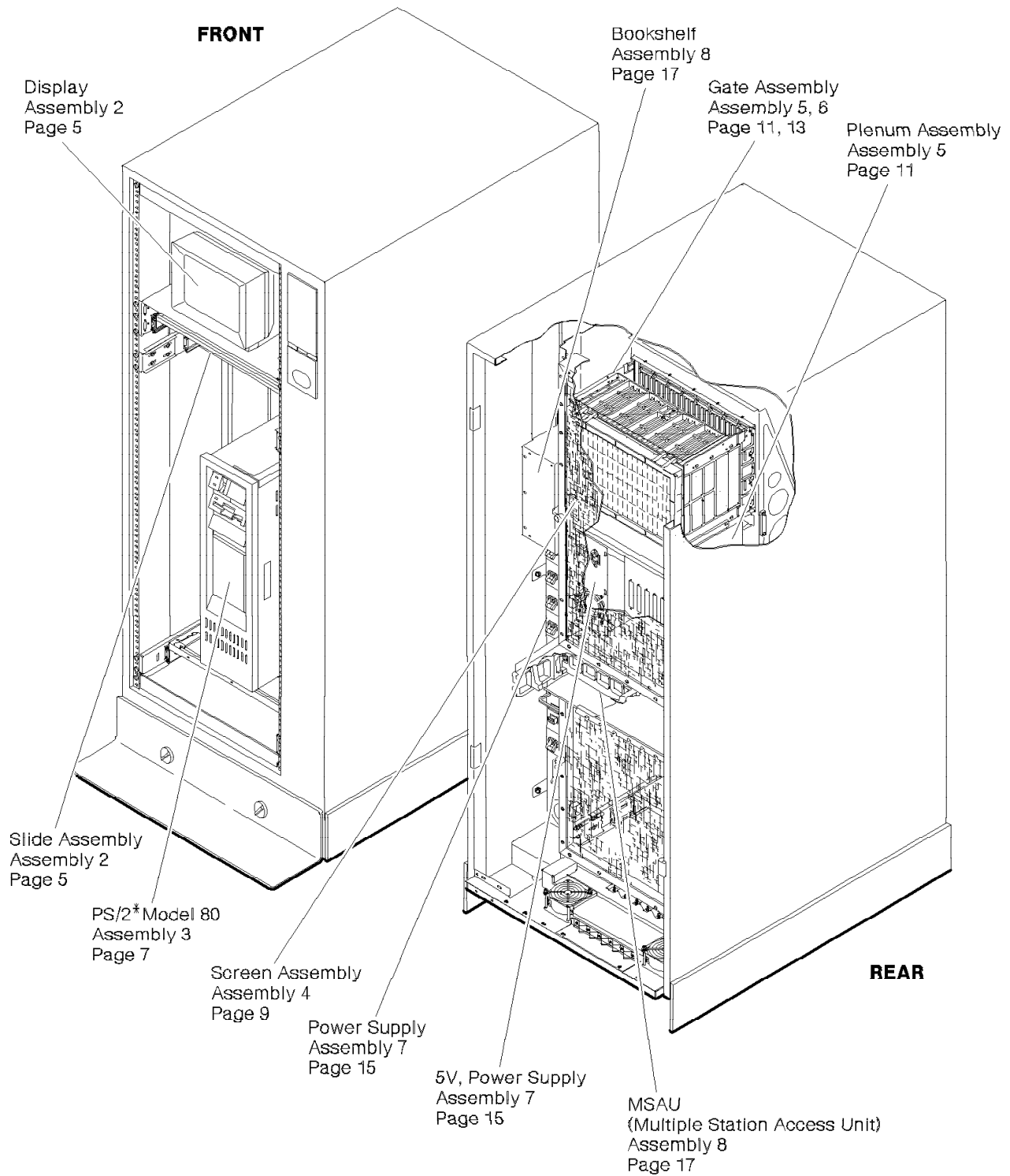


Figure 2. Visual Index I (B1LEPVIS)

Catalog Section

Assembly 1: OCP Cover Assembly

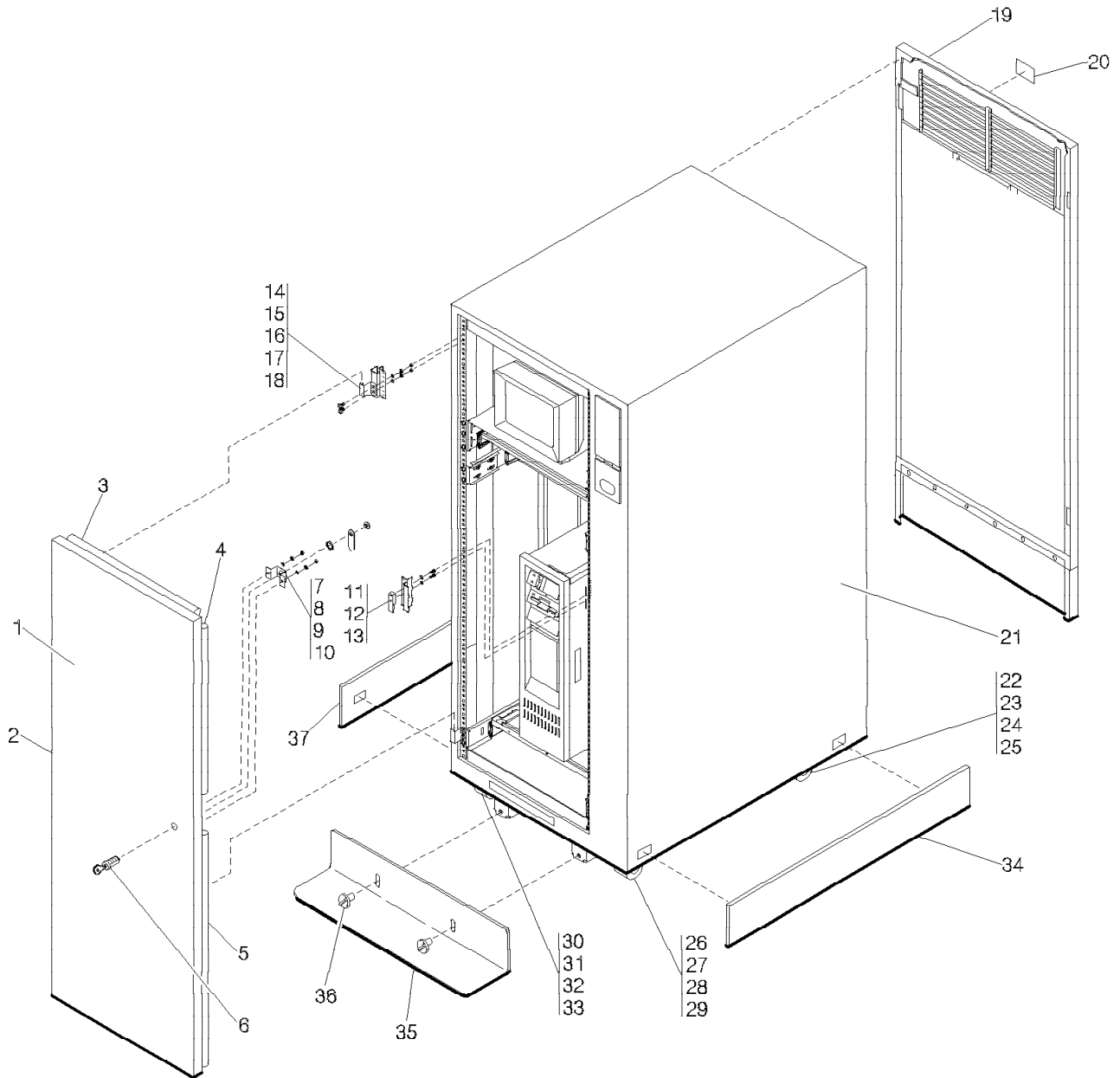


Figure 3. OCP Cover Assembly (B1LEP001)

Asm- Index	Part Number	Units	Description
1-			OCP Cover Asm
-1	81F2268	1	• Door Asm
-2	2G3961	1	• • EMI/RFI Gasket
-3	2G3960	2	• • EMI/RFI Gasket
-4	2G3962	1	• • EMI/RFI Gasket
-5	2G3963	1	• • EMI/RFI Gasket
-6	78F9286	1	• • Lock Asm
-7	61F6474	1	• Bracket, Lock
-8	1622304	2	• Washer, Flat M4.3 ID X 9mm OD X 0.8mm Tk
-9	1622346	2	• Washer, Lock M4.3 ID X 8mm OD X 0.5mm Tk
-10	1622403	2	• Nut, Hex M4 X 7mm FI Wshr X 3.2mm Tk
-11	G8971	1	• Latch, Door
-12	1622304	2	• Washer, Flat M4.3 ID X 9mm OD X 0.8mm Tk
-13	1621192	2	• Screw, Pan Hd M4 X 12mm Lg
-14	1621230	4	• Screw, Pan Hd M6 X 12mm Lg
-15	61F6436	2	• Hinge, Door
-16	1622306	4	• Washer, Flat M6.6 ID X 12.5mm OD X 1.6mm Tk
-17	1622348	4	• Washer, Lock Star M6.4 ID X 11mm OD X 7mm Tk
-18	1622405	4	• Nut, Hex M6 X 10mm FI Wshr X 5.2mm Tk
-19	81F2246	1	• Door, 1.6M Machine
-20	69X1258	1	• Logo, Rear Door
-21	76X3586	Ref	• Frame and Cover Asm
-22	62X3601	2	• • Caster, Swivel - Rear
-23	1621823	8	• • Screw, Hex Hd M6 X 6mm Lg
-24	1622306	8	• • Washer, Flat M6.6 ID X 12.5mm OD X 1.6mm Tk
-25	1622320	8	• • Washer, Lock M6.1 ID X 1.6 Tk
-26	89X2628	1	• • Caster, Offset - Right
-27	1621823	4	• • Screw, Hex Hd M6 X 6mm Lg
-28	1622306	4	• • Washer, Flat M6.6 ID X 12.5mm OD X 1.6mm Tk
-29	1622320	4	• • Washer, Lock M6.1 ID X 1.6 Tk
-30	89X2627	1	• • Caster, Offset - Left
-31	1621823	4	• • Screw, Hex Hd M6 X 6mm Lg
-32	1622306	4	• • Washer, Flat M6.6 ID X 12.5mm OD X 1.6mm Tk
-33	1622320	4	• • Washer, Lock M6.1 ID X 1.6 Tk
-34	89X2841	1	• Panel Asm, Acoustic - Right
-35	89X2841	1	• Support Stabilizer
-36	76X4684	2	• Screw, Thumb
-37	89X2908	1	• Panel Asm, Acoustic - Left

Assembly 2: Keyboard and Monitor

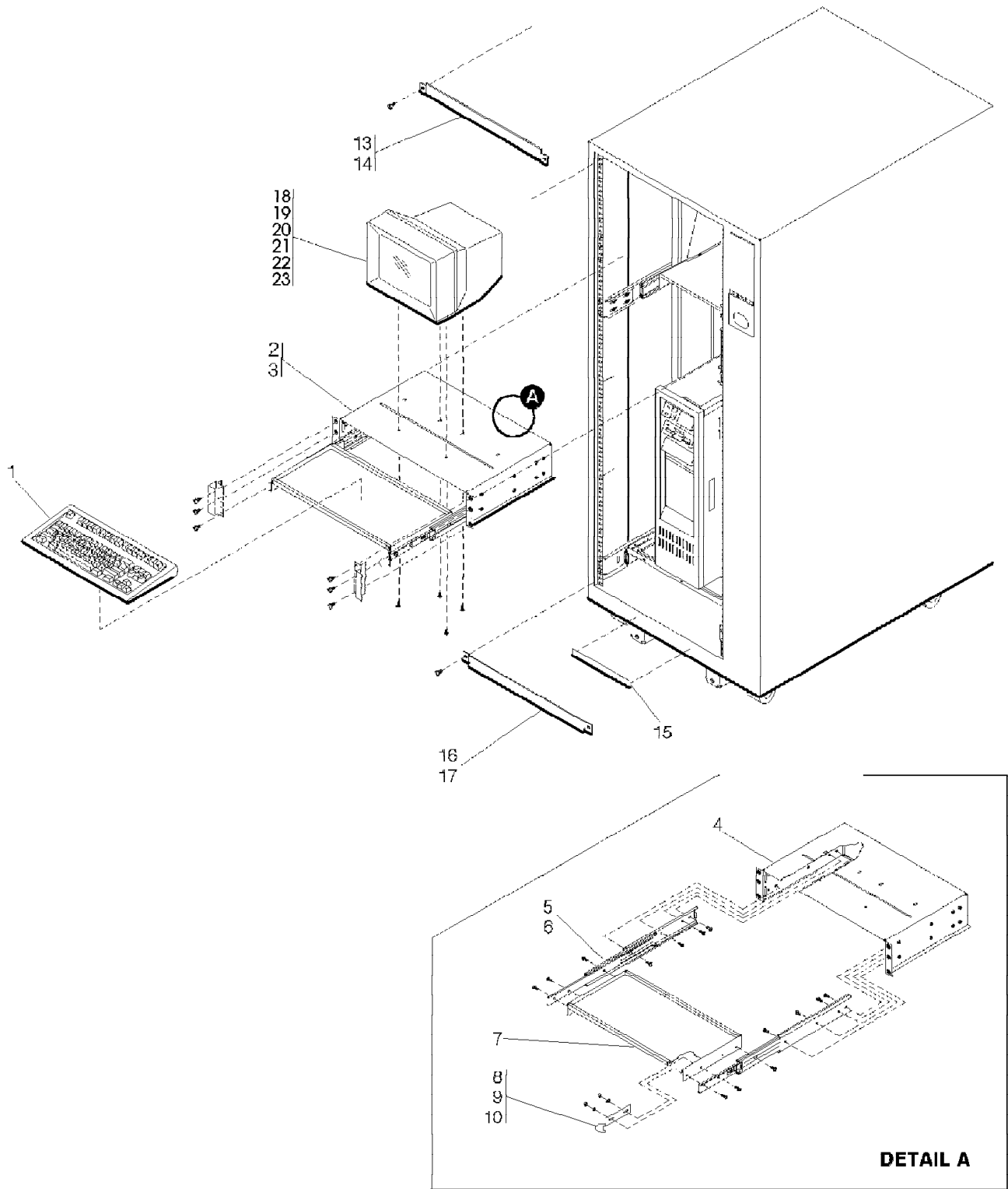


Figure 4. OCP Final Assembly, Keyboard and Monitor (B1LEP002)

Asm- Index	Part Number	Units	Description
2-			OCP Final Asm, Keyboard and Monitor
-1	1393278	1	• Keyboard (English)
-2	81F2228	1	• Slide Asm, Keyboard
-3	1621230	6	• Screw, Pan Hd M6 X 12mm Lg
-4	81F2223	1	• • Support
-5	78F9282	2	• • Slide Asm
-6	1621191	14	• • Screw, Pan Hd M4 X 10mm Lg
-7	81F2224	1	• • Support
-8	78F9280	1	• • Stop
-9	1622304	2	• • Washer, Flat M4.3 ID X 9mm OD X 0.8mm Tk
-10	1622403	2	• • Nut, Hex M4 X 7mm Fl Wshr X 3.2mm Tk
-13	81F2235	1	• Bracket - EMI/RFI Shield
-14	1621230	2	• Screw, Pan Hd M6 X 12mm Lg
-15	69X1264	1	• Label, Safety (English)
-16	81F2235	1	• Bracket - EMI/RFI Shield
-17	1621230	2	• Screw, Pan Hd M6 X 12mm Lg
-18	4H9739	1	• 4707 Display
-19	92G4617	1	• Display Adapter Plate
-20	92G4616	1	• Insert
-21	1621542	1	• Bolt
-22	1622406	1	• Nut
-23	1621191	4	• Display Adapter Plate Mounting Screws

Asm- Index	Part Number	Units	Description
3-			OCP Final Asm, System Unit
-1		NR	• PS/2, Model 80
-2	81F2254	1	• Side Cover with Extension
-3	81F2239	1	• • Cover
-4	81F2251	1	• • Bracket
-5	1622318	2	• • Washer, Spring Lock M4.1 ID X 7.5mm OD X 0.9mm Tk
-6	1622403	2	• • Nut, Hex M4 X 7mm FI Wshr X 3.2mm Tk
-7	72X8436	6	• • Push Nut
-8	81F2247	1	• • Foam
-9	72X7715	1	• • Foam
-10	81F2242	1	• • Baffle CBM
-11	81F2232	1	• • Housing
-12	33G2569	1	• • Foam
-13	81F2240	1	• • Spacer
-14	81F2241	1	• • Shaft
-15	1621163	5	• • Screw
-16	81F2264	2	• Foam
-17	81F2250	2	• Bracket
-18	1622403	6	• Nut, Hex M4 X 7mm FI Wshr X 3.2mm Tk
-19	1622318	6	• Washer, Spring Lock M4.1 ID X 7.5mm OD X 0.9mm Tk
-20	1621595	8	• Screw, Cap Hex Hd M6 X 12mm Lg
-21	81F2236	4	• Clamp
-22	81F2263	4	• Foam Pad
-23	62X3561	4	• Label, EIA Identification, 1.6M Machine
-24	89X2903	1	• Operator Panel Asm
-25	4F9743	1	• Overlay - Main System Power/Enable
-26	81F2260	1	• Label - Low Voltage
-26	81F2261	1	• Label - High Voltage
-27	21F5039	1	• Panel, Logo
-28	33G2578	1	• Logo

Assembly 4: Screen Covers

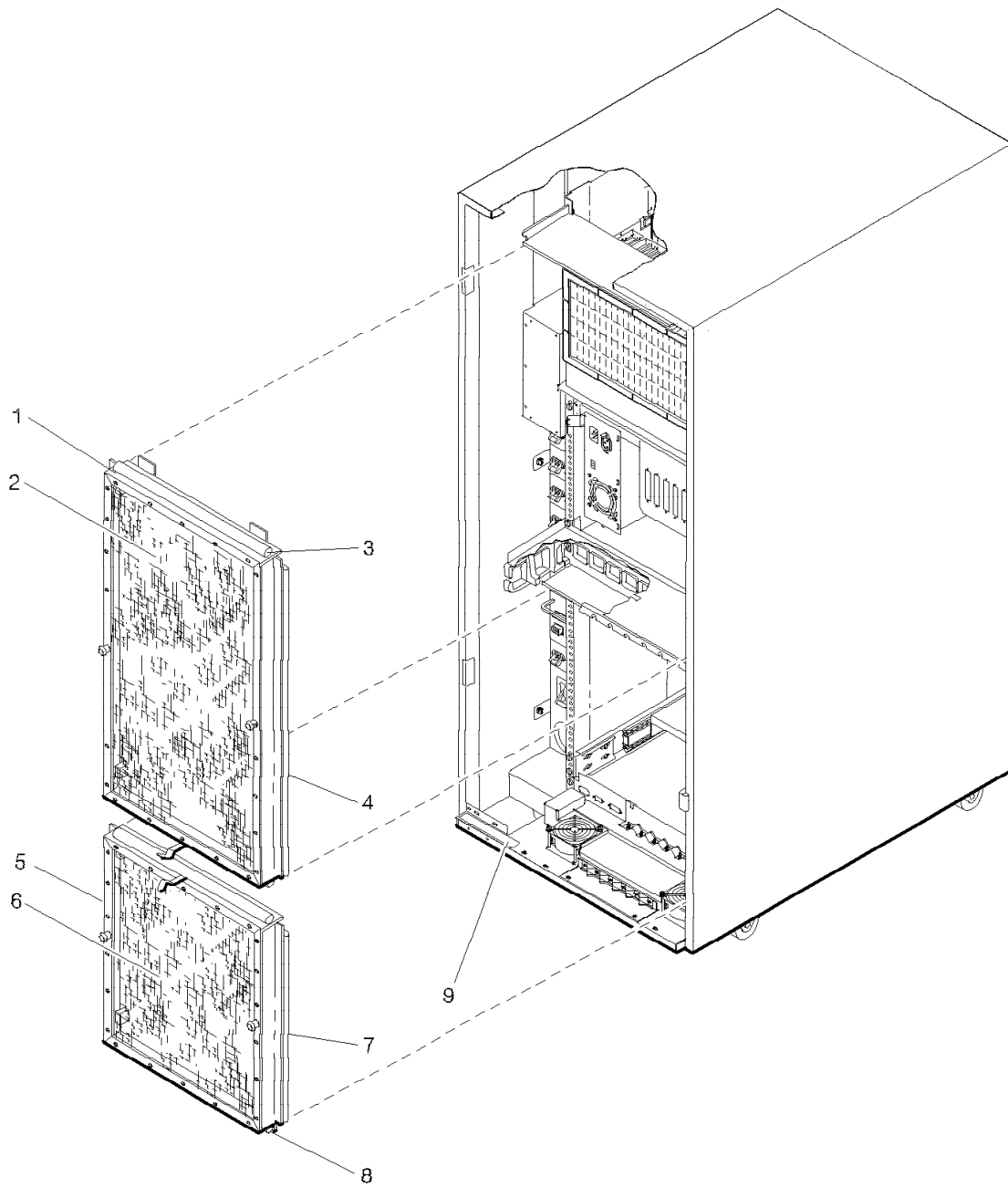


Figure 6. OCP Final Assembly, Screen Covers (B1LEP004)

Asm- Index	Part Number	Units	Description
4-			OCP Final Asm, Screen Covers
-1	2G3953	1	• Screen Assembly, Upper
-2	2G3955	1	• • Screen, Upper
-3	2G3957	2	• • EMI/RFI Gasket
-4	2G3958	2	• • EMI/RFI Gasket
-5	2G3954	1	• Screen Assembly, Lower
-6	2G3956	1	• • Screen, Lower
-7	2G3959	2	• • EMI/RFI Gasket
-8	2G3957	2	• • EMI/RFI Gasket
-9	376008	1	• Plate, Information Power Rating
			US/Canada, 25A/1.6M Machine
-9	89X2615	1	• Plate, Information Power Rating
			US Built for EMEA, 15A/1.6 Machine

Assembly 5: Card Gate and Fans

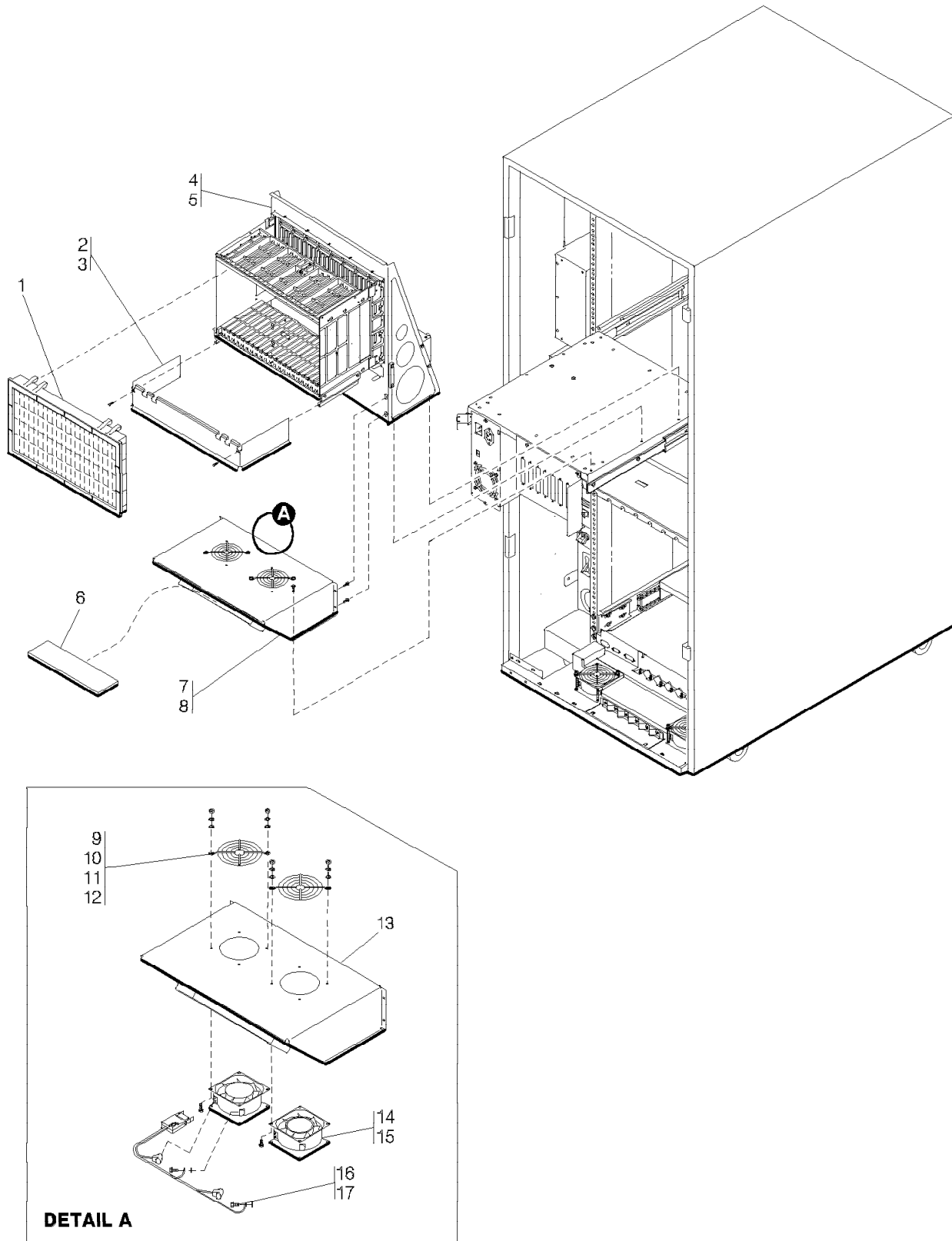


Figure 7. OCP Final Assembly, Card Gate and Fans (B1LEP005)

Asm- Index	Part Number	Units	Description
5-			OCP Final Asm, Card Gate/Fans For Detail Breakdown See Asm 6-
-1	1953222	1	• Cover, Top
-2	27F5313	1	• Baffle, Bottom
-3	1621182	2	• Screw, Pan Hd M3.5 X 8mm Lg
-4	81F2229	1	• Gate Asm
-5	1621190	4	• Screw, Pan Hd M4 X 8mm Lg
-6	2642948	1	• Filter, Air
-7	81F2231	1	• Plenum Asm
-8	1621190	6	• Screw, Pan Hd M4 X 8mm Lg
-9	2452032	2	• • Grille
-10	257986	4	• • Washer, Flat .156in ID X .312in OD X .035in Tk
-11	1622317	4	• • Washer, Spring Lock M3.7 ID X 6.7mm OD X 0.8mm Tk
-12	1622402	4	• • Nut, Hex M3.5 X 6mm FI Wshr X 2.8mm Tk
-13	81F2221	1	• • Plenum
-14	5130687	2	• • Fan Asm
-15	1621184	8	• • Screw, Pan Hd M3.5 X 12mm Lg
-16	5350006	2	• • Screw, Thd Form Hex Wshr Hd 6-32 X .250 Lg
-17	1622346	2	• • Washer, Star Lock M4.3 ID X 8mm OD X 0.5mm Tk

Assembly 6: OCP Gate Assembly

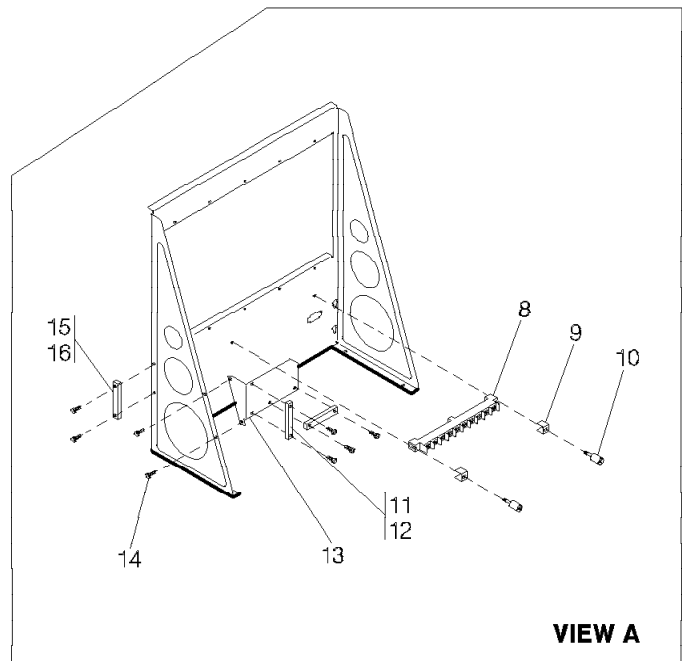
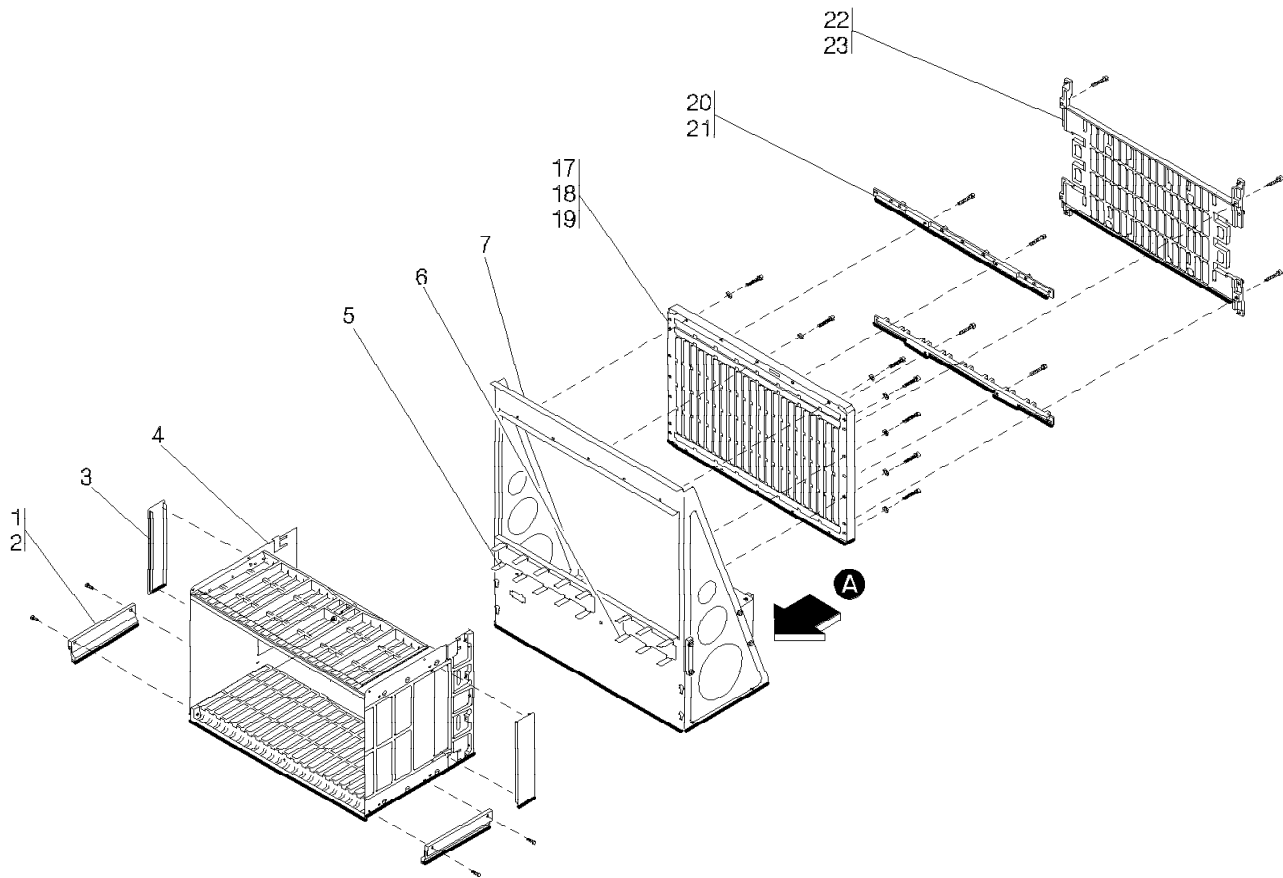


Figure 8. OCP Gate Assembly (B1LEP006)

Asm- Index	Part Number	Units	Description
6-	81F2229	1	• OCP Gate Asm For Next Higher Assembly See Asm 5- on page 11
-1	27F5315	2	• • Guide, Top
-2	2549561	4	• • Screw, Metric Thd Form Hex Hd M3 X 10mm Lg
-3	1953309	2	• • Cover, Snap-In
-4	1822944	1	• • Card Cage
-5	2590010	1	• • Raceway
-6	2588303	1	• • Raceway
-7	81F2222	1	• • Support
-8	817754	1	• • Terminal Block
-9	817758	2	• • Clip
-10	817753	2	• • Stud
-11	81F2258	2	• • Bar, Clamp
-12	1621193	4	• • Screw, Pan Hd M4 X 16mm Lg
-13	81F2257	1	• • Bracket, Support
-14	1621190	2	• • Screw, Pan Hd M4 X 8mm Lg
-15	81F2258	1	• • Bar, Clamp
-16	1621193	2	• • Screw, Pan Hd M4 X 16mm Lg
-17	63F0242	1	• • Logic Board Asm
-18	257986	6	• • Washer, Flat .156in ID X .312in OD X .035in Tk
-19	2457745	6	• • Screw, Thread Forming Socket Hd 6-32 X 1in Lg
-20	5665975	2	• • Latch Rail
-21	2457745	4	• • Screw, Thread Forming Socket Hd 6-32 X 1in Lg
-22	1953162	1	• • Partial Back Cover
-23	1953318	4	• • Screw, Thread Forming Socket Hd

Assembly 7: Power Supply

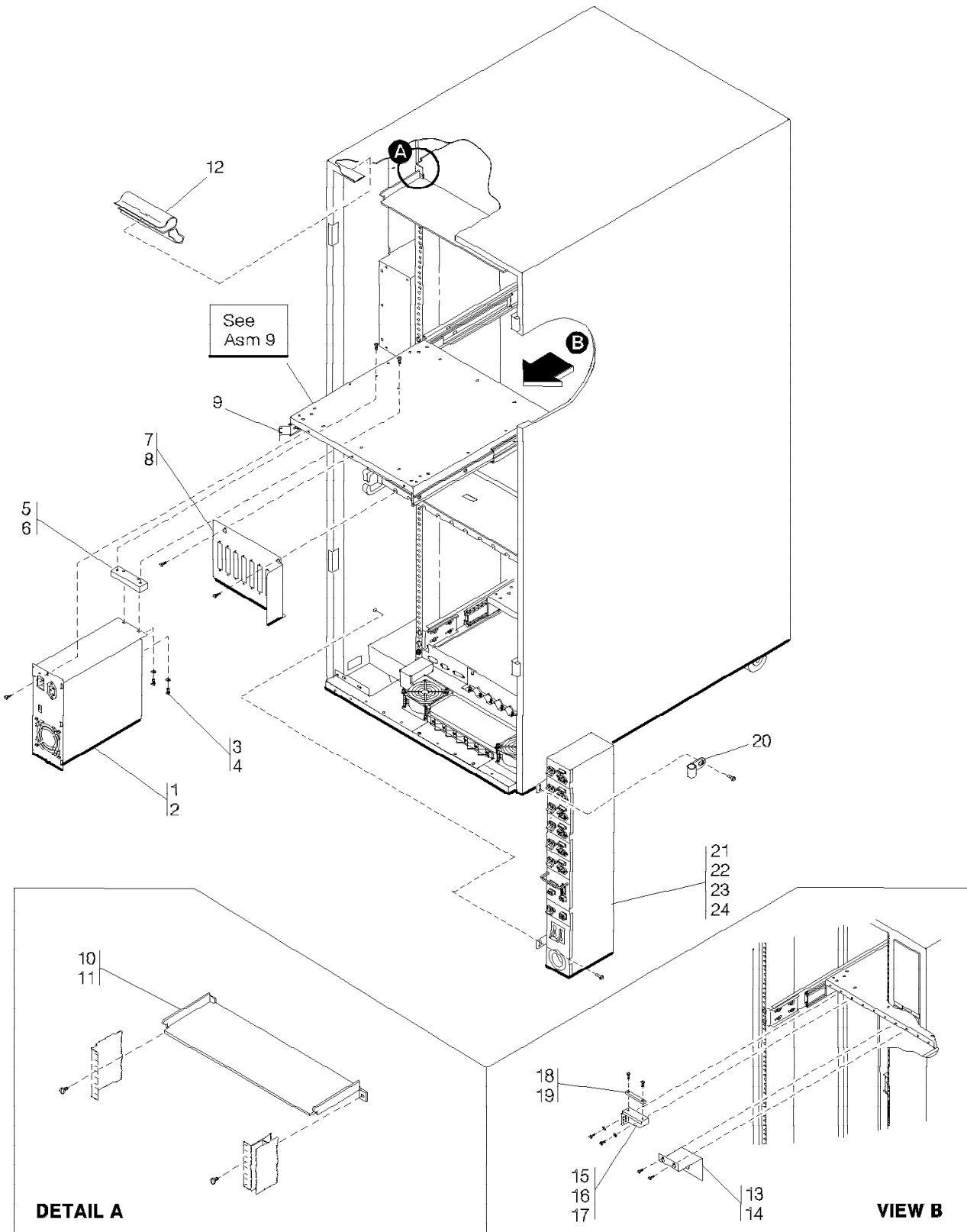


Figure 9. OCP Final Assembly, Power Supply (B1LEP007)

Asm- Index	Part Number	Units	Description
7-			OCP Final Asm, Power Supply
-1	1035807	1	• 5V Power Supply - 50/60 Hz, 17A
-2	1621190	1	• Screw, Pan Hd M4 X 8mm Lg
-3	1621191	2	• Screw, Pan Hd M4 X 10mm Lg
-4	1622304	2	• Washer, Flat M4.3 ID X 9mm OD X 0.8mm Tk
-5	81F2255	1	• Spacer
-6	1621191	2	• Screw, Pan Hd M4 X 10mm Lg
-7	81F2238	1	• Bracket, Connector
-8	1621190	2	• Screw, Pan Hd M4 X 8mm Lg
-9	81F2225	1	• Slide Asm
			For Detail Breakdown See Asm 9- on page 19
-10	81F2237	1	• Plate - EMI/RFI Shield Attach to Backside of Rail Before Mounting
-11	1621230	2	• Screw, Pan Hd M6 X 12mm Lg
-12	2G3957	1	• • EMI/RFI Gasket
-13	81F2259	1	• Bracket, Support
-14	1621190	2	• Screw, Pan Hd M4 X 8mm Lg
-15	81F2256	1	• Bracket
-16	1622304	2	• Washer, Flat M4.3 ID X 9mm OD X 0.8mm Tk
-17	1621190	2	• Screw, Pan Hd M4 X 8mm Lg
-18	81F2258	1	• Bar, Clamp
-19	1621194	2	• Screw, Pan Hd M4 X 20mm Lg
-20	532393	1	• Cable Tie
-21	2G3951	2	• 380/415V 15A Power Supply
-21	2G3952	2	• 208/240V 25A Power Supply
-22	1621210	2	• Screw, Pan Hd M5 X 10mm Lg
-23	1622306	2	• Washer, Flat M6.6 ID X 12.5mm OD X 1.6mm Tk
-24	1622319	2	• Washer, Spring Lock M5.1 ID X 9.2mm OD X 1.2mm Tk

Assembly 8: Bookshelf

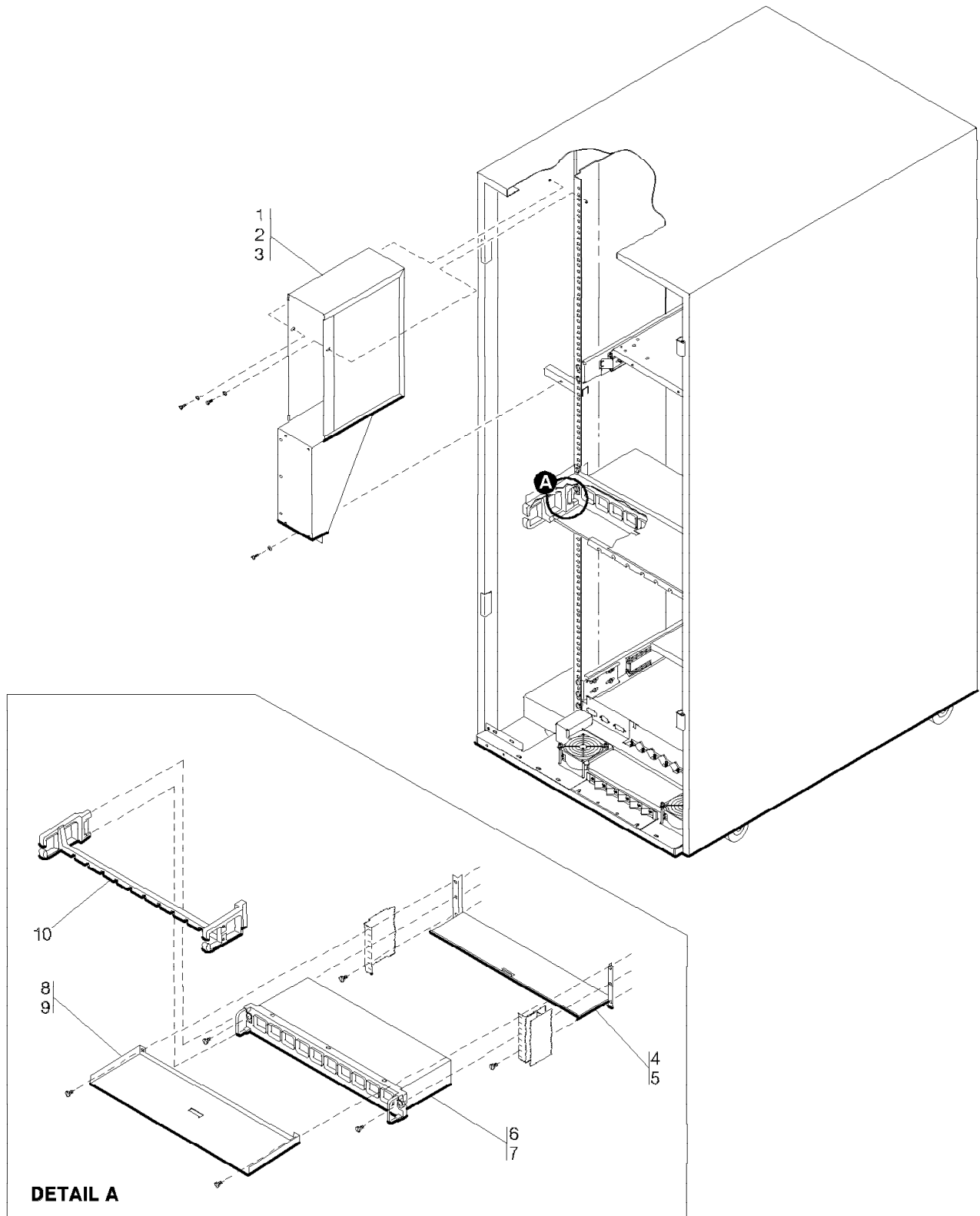


Figure 10. OCP Final Assembly, Bookshelf (B1LEP008)

Asm- Index	Part Number	Units	Description
8-			OCP Final Asm, Bookshelf
-1	78F9287	1	• Bookshelf
-2	1621210	3	• Screw, Pan Hd M5 X 10mm Lg
-3	1622305	3	• Washer, Flat M5.5 ID X 10mm OD X 1mm Tk
-4	33G2550	1	• Baffle, Air Deflector - MSAU Mounting
			Attach to Backside of Rail Before Mounting
-5	1621230	2	• Screw, Pan Hd M6 X 12mm Lg
-6	6091014	1	• MSAU
-7	1621230	2	• Screw, Pan Hd M6 X 12mm Lg
-8	31F1466	1	• Baffle, Air Deflector - MSAU Mounting
-9	1621230	4	• Screw, Pan Hd M6 X 12mm Lg
-10	6091042	1	• Cable Management Asm

Assembly 9: OCP Frame Assembly

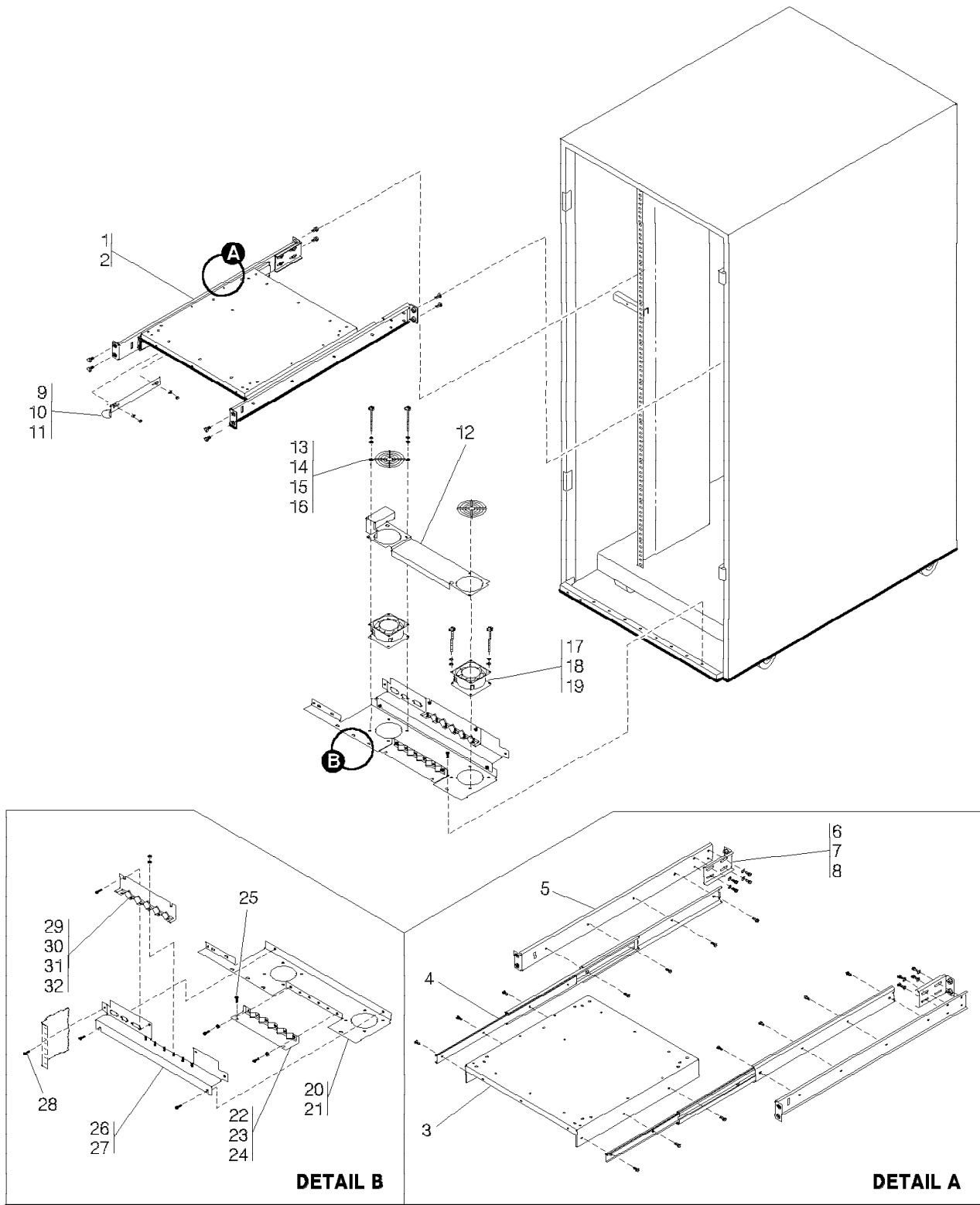


Figure 11. OCP Frame Assembly (B1LEP009)

Asm- Index	Part Number	Units	Description
9-			OCP Frame Asm
-1	81F2225	1	• Slide Asm For Next Higher Asm See Asm 3- on page 7, Asm 7-9 on page 15
-2	1621230	8	• Screw, Pan Hd M6 X 12mm Lg
-3	81F2249	1	• • Base
-4	27F5334	2	• • Slide Asm
-5	81F2227	2	• • Bracket
-6	81F2226	2	• • Bracket
-7	1622304	8	• • Washer, Flat M4.3 ID X 9mm OD X 0.8mm Tk
-8	1621191	22	• • Screw, Pan Hd M4 X 10mm Lg
-9	61F6494	1	• Stop
-10	1622304	2	• Washer, Flat M4.3 ID X 9mm OD X 0.8mm Tk
-11	1622403	2	• Nut, Hex M4 X 7mm FI Wshr X 3.2mm Tk
-12	31F1465	1	• Cover, Safety Shield
-13	2452032	2	• Grille
-14	438572	4	• Screw, Bind Hd 6-32 X 2in Lg
-15	257986	4	• Washer, Flat .156in ID X .312in OD X .035in Tk
-16	56722	4	• Washer, Lock Ext Tooth .141in ID X .320in OD
-17	5130687	2	• Fan Asm
-18	438572	4	• Screw, Bind Hd 6-32 X 2in Lg
-19	56722	4	• Washer, Lock Ext Tooth .141in ID X .320in OD
-20	81F2266	1	• Plate, Baffle - EMC
-21	1621210	4	• Screw, Pan Hd M5 X 10mm Lg
-22	81F2267	1	• Clamp, I/O Cable
-23	1621192	6	• Screw, Pan Hd M4 X 12mm Lg
-24	1622346	6	• Washer, Lock Ext Tooth M4.15mm ID X 8.5mm OD X 0.5mm Tk
-25	1621210	2	• Screw, Pan Hd M5 X 10mm Lg
-26	31F1444	1	• Bracket, Bottom Rear Attach to Backside of Rail Before Mounting
-27	1621210	2	• Screw, Pan Hd M5 X 10mm Lg
-28	1621230	2	• Screw, Pan Hd M6 X 12mm Lg
-29	81F2267	1	• Clamp, I/O Cable
-30	1622318	6	• Washer, Lock M4.1 X 7.6mm OD X 0.9mm Tk
-31	1622403	6	• Nut, Hex M4 X 7mm FI Wshr X 3.2mm Tk
-32	1621210	2	• Screw, Pan Hd M5 X 10mm Lg

Assembly 10: 389X/XP Document Processor Cable Assemblies

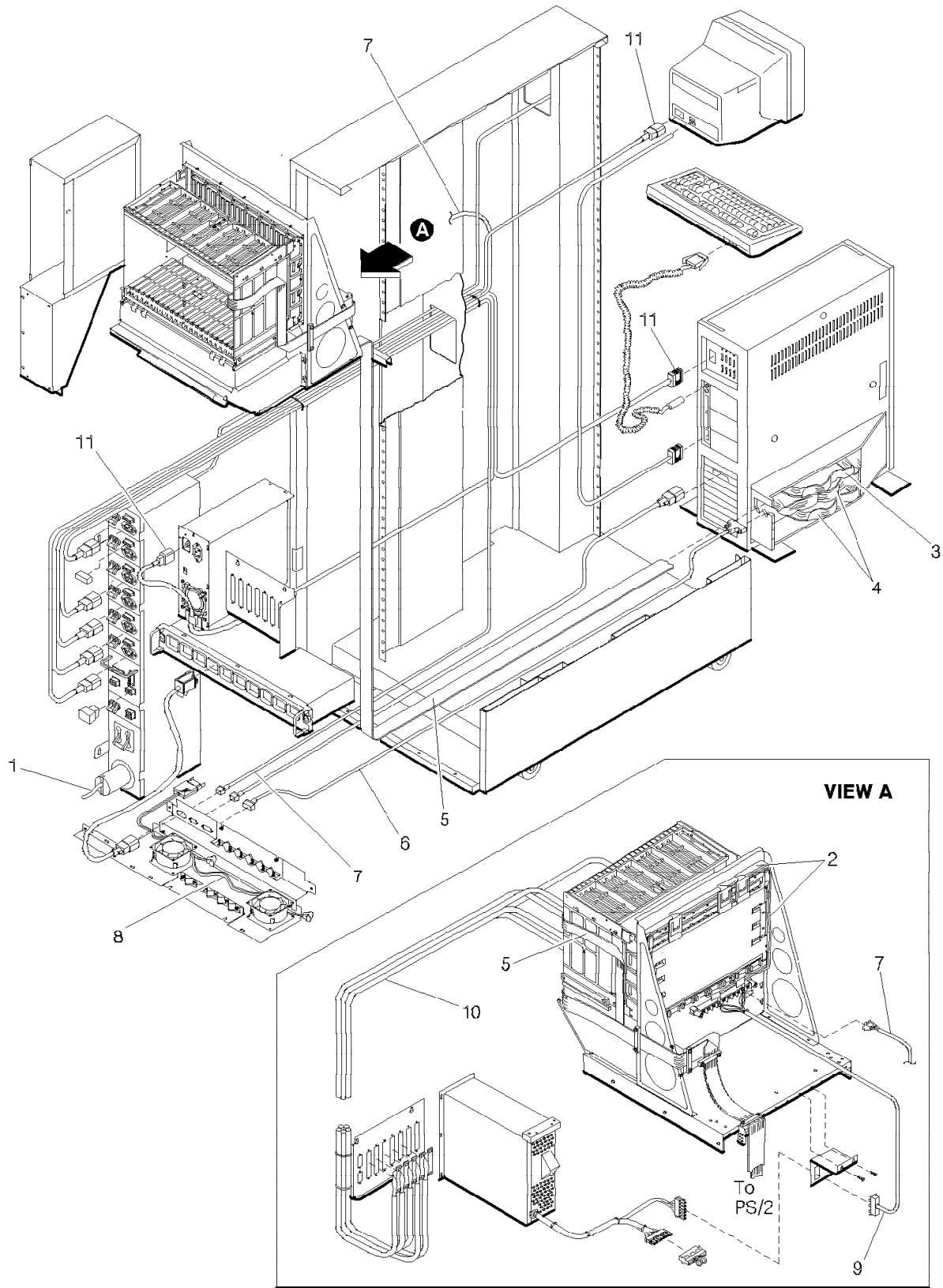


Figure 12. 389X/XP Document Processor Cable Assemblies (B1LEP010)

Asm- Index	Part Number	Units	Description
10-1	11F0116		Cable Asm - Linecord (16 feet US/Canada) For Component Parts, See Reference Numbers 2,14
-1	11F0117		Cable Asm - Linecord (6 feet Chicago) For Component Parts, See Reference Numbers 2,14
-1	76X3559		Cable Asm - Line Cord (Low Voltage World Trade) For Component Parts, See Reference Number 2
-2	11F8987		Cable Asm - Flat Wire Bus to Logic Board For Component Parts, See Reference Number 5
-3	31F1436		Cable Asm - Video to Reco Flat Cable For Component Parts, See Reference Numbers 4,27A
-4	31F1437		Cable Asm - Reco to Reco Flat Cable For Component Parts, See Reference Numbers cmt.4,27A
-5	31F1438		Cable Asm - TLA with Paired Ground Flat-Cable For Component Parts, See Reference Number 4
-6	31F1440		Cable Asm - PS/2 to Interframe - Video Cable For Component Parts, See Reference Number 27
-7	31F1442		Cable Asm - AC to Fan Connector For Component Parts, See Reference Numbers cmt.3,9,11,22
-8	31F1443		Cable Asm - AC from Fan Connector to Fans For Component Parts, See Reference Numbers cmt.8,10
-9	31F1445		Cable Asm - 5VDC to Logic Gate For Component Parts, See Reference Numbers cmt.1,19
-10	61F6461		Cable Asm - Logic Gate to Interframe Connector For Component Parts, See Reference Numbers cmt.4,26,35
-11	61F6511		Cable Asm - AC Power Cord to PS/2 or Display or 5V Power Supply

Assembly 10: (continued)

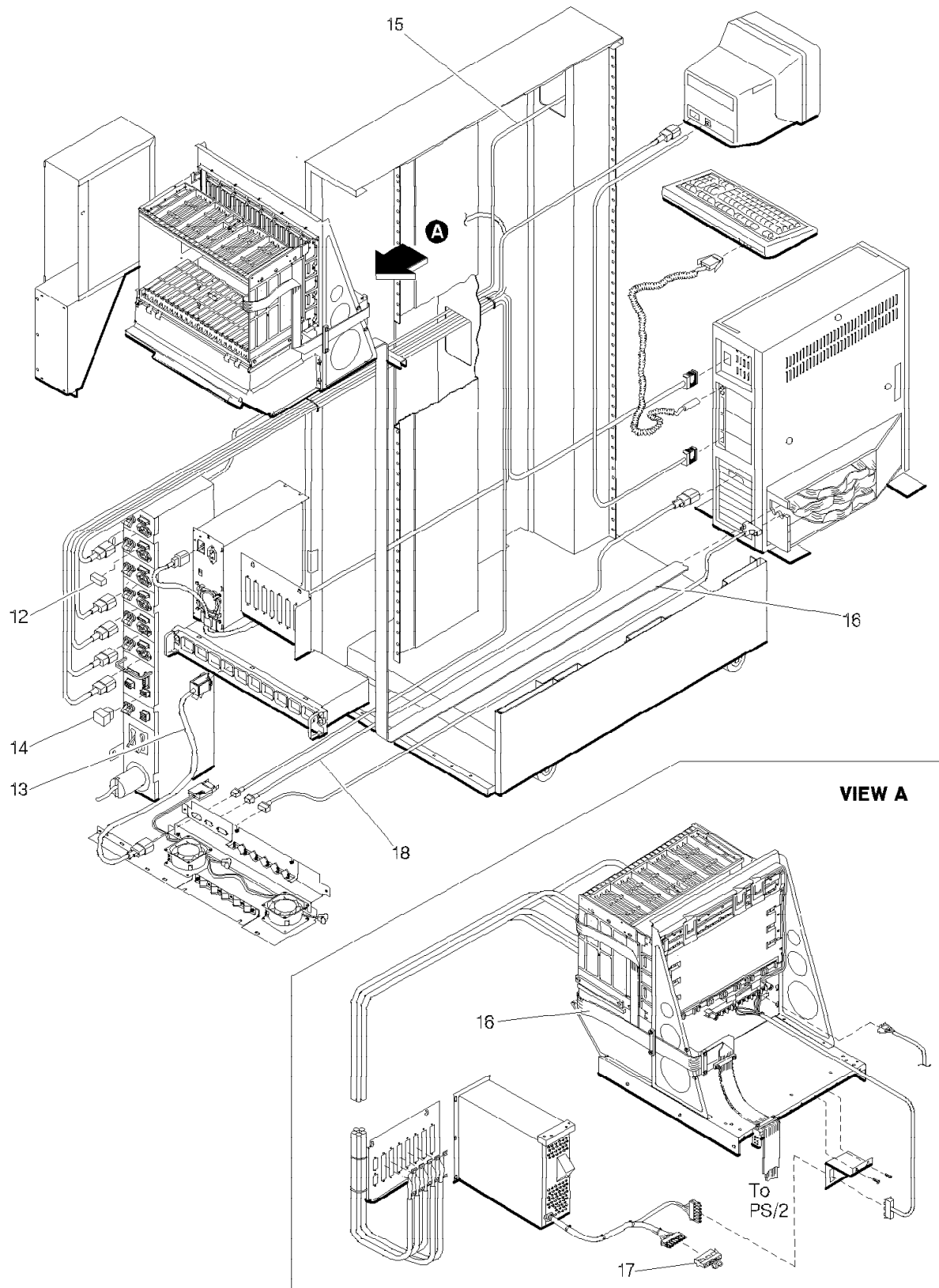


Figure 13. 389X/XP Document Processor Cable Assemblies (B1LEP011)

Asm- Index	Part Number	Units	Description
10-12	62X3415		Cable Asm - PCC Jumper J2A thru J6A Numbers For Component Parts, See Reference Number 12
-13	6339098		Cable Asm - PS/2 to LAN Connector For Component Parts, See Reference Numbers cmt.4,6A,23,28,36
-14	6462413		Cable Asm - PCC Jumper J10 Connector For Component Parts, See Reference Numbers cmt.7,13,21
-15	6462417		Cable Asm - PCC to Control Panel Cable For Component Parts, See Reference Numbers cmt.6,15,16,18
-16	6937685		Cable Asm - Flat Cable Assembly
-17	81F2262		Cable Asm - Power Supply P3 Connector Jumper Must Be Moved to Power Supply P/N 1035807 Replacement For Component Parts, See Reference Number 20
-18	2G3964		Cable Asm - PS/2 Bus Adapter to Interframe (J6)
-	27F5372		Cable Asm - VPU to OCP (40 feet) External Cable - (Not Shown) For Component Parts, See Reference Numbers cmt.4,5A,24,29,30,31,32,33,34
-	31F1441		Cable Asm - Interframe to Sorter -Video Cable (100 feet) External Cable - M/T 3890 (Not Shown)
-	33G2619		Cable Asm - Interframe to Sorter - Video Cable (100 feet) External Cable - M/T 3891 and 3892 (Not Shown) For Component Parts, See Reference Numbers cmt.4,5A,17,25,27
-	31F1463		Cable Asm - Interframe to Sorter - Video Cable (40 feet) External Cable - M/T 3890 (Not Shown)
-	33G2618		Cable Asm - Interframe to Sorter - Video Cable (40 feet) External Cable - M/T 3891 and 3892 (Not Shown) For Component Parts, See Reference Numbers cmt.4,5A,17,25,27
-	77F3726		Cable Asm - VPU to OCP (100 feet) External Cable - (Not Shown) For Component Parts, See Reference Numbers cmt.4,5A,24,29,30,31,32,33,34

Assembly 10: (continued)

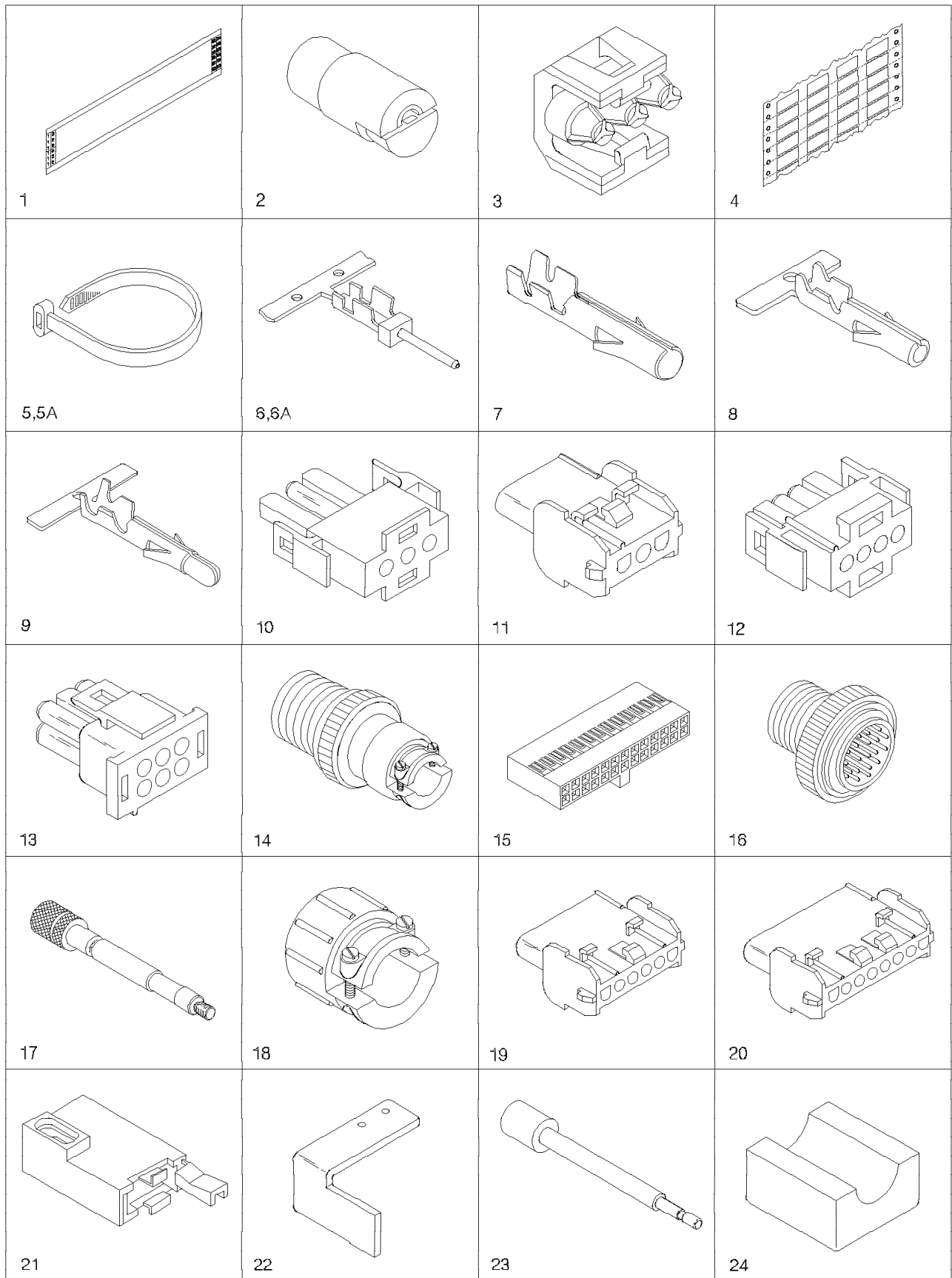


Figure 14. 389X/XP Document Processor Cable Assemblies (B1LEP020)

Asm- Index	Part Number	Units	Description
10-1	317296	AR	Labels - Quick
-2	375877	AR	Connector
-3	378467	AR	Contact, Retainer - 3 Circuit
-4	811825	AR	Labels, Cable
-5	1159913	AR	Cable Tie
-5A	5420242	AR	Cable Tie - Miniature
-6	1655339	AR	Pin Contact - 20-40 AWG
-6A	1655359	AR	Pin Contact - 20-40 AWG
-7	1661128	AR	Terminal, Dual Lance Socket
-8	1847521	AR	Socket, Universal - 14-20 AWG
-9	1847522	AR	Pin, Split, Universal - 14-20 AWG
-10	1847526	AR	Plug, Universal - 3 Circuit
-11	1847527	AR	Housing - 3 Circuit
-12	1847528	AR	Plug, Universal - 3 Circuit
-13	1847530	AR	Plug, Universal - 6 Circuit
-14	2162592	AR	Plug - 2 Wire - 3 Pole
-15	2334918	AR	Housing - Polarized Miniature Latch
-16	2462062	AR	Connector, Housing - 28 Position
-17	2453170	AR	Thumbscrew
-18	2462055	AR	Clamp
-19	31F1446	AR	Receptacle - 6 Position
-20	31F1447	AR	Receptacle - 8 Position In-Line
-21	4447188	AR	Strain Relief
-22	4462370	AR	Adapter, Strain Relief- Panel Mount
-23	61X6659	AR	Shaft, 4-40 UNC
-24	62X1146	AR	Toroid

Assembly 10: (continued)

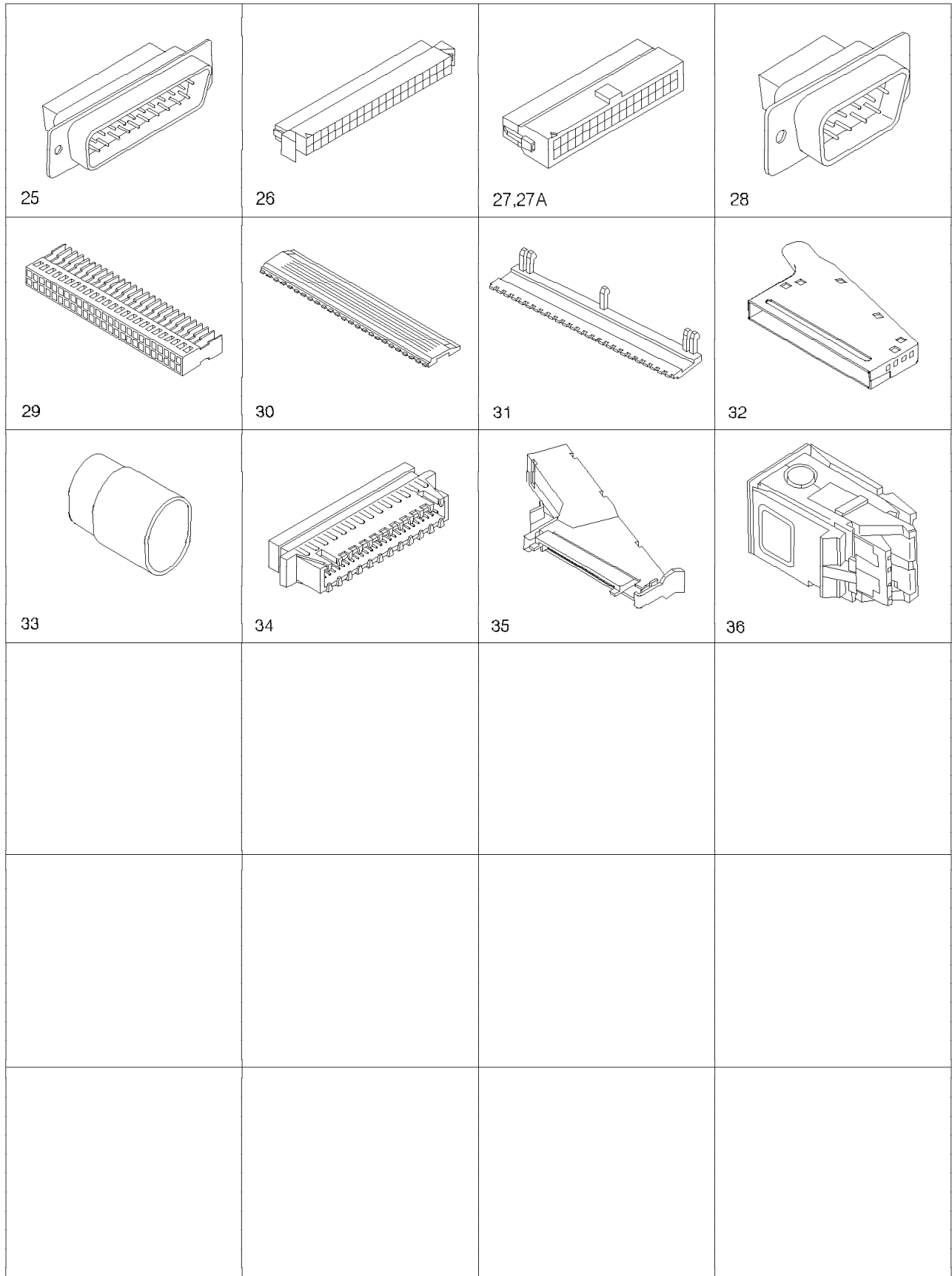


Figure 15. 389X/XP Document Processor Cable Assemblies (B1LEP021)

Asm- Index	Part Number	Units	Description
10-25	6316797	AR	Plug, IDC - 15 Position
-26	6407882	AR	Socket - 50 Way
-27	68X2777	AR	Socket, IDC - 16 Position
-27A	68X2780	AR	Socket, IDC with Strain Relief - 6 Position
-28	6849485	AR	Connector, Pin Housing - 9 Position
-29	71F1623	AR	Connector, IDC - 50 Position
-30	71F1636	AR	Connector, Front Cover - 50 Position
-31	71F1637	AR	Connector, Back Cover - 50 Position
-32	71F1638	AR	Connector, Housing Shielding Kit - 50 Position
-33	71F1643	AR	Ferrule, Connector Shielding Kit
-34	71F1645	AR	Connector, Housing Boot Kit - 50 Position
-35	71F1652	AR	Receptacle, IDC - 50 Position
-36	8310514	AR	Connector, Data

Part Number Index

Part Number	Asm-Index	Page	Part Number	Asm-Index	Page	Part Number	Asm-Index	Page	Part Number	Asm-Index	Page
G8971	1-11	3	1621191	continued		1622346	continued		31F1446	10-19	25
56722	9-16	19		7-3	15		9-24	19	31F1447	10-20	25
	9-19	19		7-6	15	1622348	1-17	3	31F1463	10-	23
2G3951	7-21	15		9-8	19	1622402	5-12	11	31F1465	9-12	19
2G3952	7-21	15	1621192	1-13	3	1622403	1-10	3	31F1466	8-8	17
2G3953	4-1	9		9-23	19		2-10	5	33G2550	8-4	17
2G3954	4-5	9	1621193	6-12	13		3-6	7	33G2569	3-12	7
2G3955	4-2	9		6-16	13		3-18	7	33G2578	3-28	7
2G3956	4-6	9	1621194	7-19	15		9-11	19	33G2618	10-	23
2G3957	4-3	9	1621210	7-22	15		9-31	19	33G2619	10-	23
	4-8	9		8-2	17	1622405	1-18	3	4447188	10-21	25
	7-12	15		9-21	19	1622406	2-22	5	4462370	10-22	25
2G3958	4-4	9		9-25	19	1655339	10-6	25	5130687	5-14	11
2G3959	4-7	9		9-27	19	1655359	10-6A	25		9-17	19
2G3960	1-3	3		9-32	19	1661128	10-7	25	5350006	5-16	11
2G3961	1-2	3	1621230	1-14	3	1822944	6-4	13	5420242	10-5A	25
2G3962	1-4	3		2-3	5	1847521	10-8	25	5665975	6-20	13
2G3963	1-5	3		2-14	5	1847522	10-9	25	6091014	8-6	17
2G3964	10-18	23		2-17	5	1847526	10-10	25	6091042	8-10	17
257986	5-10	11		7-11	15	1847527	10-11	25	61F6436	1-15	3
	6-18	13		8-5	17	1847528	10-12	25	61F6461	10-10	21
	9-15	19		8-7	17	1847530	10-13	25	61F6474	1-7	3
317296	10-1	25		8-9	17	1953162	6-22	13	61F6494	9-9	19
375877	10-2	25		9-2	19	1953222	5-1	11	61F6511	10-11	21
376008	4-9	9		9-28	19	1953309	6-3	13	61X6659	10-23	25
378467	10-3	25	1621542	2-21	5	1953318	6-23	13	62X1146	10-24	25
4F9743	3-25	7	1621595	3-20	7	21F5039	3-27	7	62X3415	10-12	23
4H9739	2-18	5	1621823	1-23	3	2162592	10-14	25	62X3561	3-23	7
438572	9-14	19		1-27	3	2334918	10-15	25	62X3601	1-22	3
	9-18	19		1-31	3	2452032	5-9	11	63F0242	6-17	13
532393	7-20	15	1622304	1-8	3		9-13	19	6316797	10-25	27
811825	10-4	25		1-12	3	2453170	10-17	25	6339098	10-13	23
817753	6-10	13		2-9	5	2457745	6-19	13	6407882	10-26	27
817754	6-8	13		7-4	15		6-21	13	6462413	10-14	23
817758	6-9	13		7-16	15	2462055	10-18	25	6462417	10-15	23
1035807	7-1	15		9-7	19	2462062	10-16	25	68X2777	10-27	27
11F0116	10-1	21		9-10	19	2549561	6-2	13	68X2780	10-27A	27
11F0117	10-1	21	1622305	8-3	17	2588303	6-6	13	6849485	10-28	27
11F8987	10-2	21	1622306	1-16	3	2590010	6-5	13	69X1258	1-20	3
1159913	10-5	25		1-24	3	2642948	5-6	11	69X1264	2-15	5
1393278	2-1	5		1-28	3	27F5313	5-2	11	6937685	10-16	23
1621163	3-15	7		1-32	3	27F5315	6-1	13	71F1623	10-29	27
1621182	5-3	11		7-23	15	27F5334	9-4	19	71F1636	10-30	27
1621184	5-15	11	1622317	5-11	11	27F5372	10-	23	71F1637	10-31	27
1621190	5-5	11	1622318	3-5	7	31F1436	10-3	21	71F1638	10-32	27
	5-8	11		3-19	7	31F1437	10-4	21	71F1643	10-33	27
	6-14	13		9-30	19	31F1438	10-5	21	71F1645	10-34	27
	7-2	15	1622319	7-24	15	31F1440	10-6	21	71F1652	10-35	27
	7-8	15	1622320	1-25	3	31F1441	10-	23	72X7715	3-9	7
	7-14	15		1-29	3	31F1442	10-7	21	72X8436	3-7	7
	7-17	15		1-33	3	31F1443	10-8	21	76X3559	10-1	21
1621191	2-6	5	1622346	1-9	3	31F1444	9-26	19	76X3586	1-21	3
	2-23	5		5-17	11	31F1445	10-9	21	76X4684	1-36	3

Part Number	Asm-Index	Page	Part Number	Asm-Index	Page
77F3726	10-	23	92G4616	2-20	5
78F9280	2-8	5	92G4617	2-19	5
78F9282	2-5	5			
78F9286	1-6	3			
78F9287	8-1	17			
81F2221	5-13	11			
81F2222	6-7	13			
81F2223	2-4	5			
81F2224	2-7	5			
81F2225	7-9	15			
	9-1	19			
81F2226	9-6	19			
81F2227	9-5	19			
81F2228	2-2	5			
81F2229	5-4	11			
	6-	13			
81F2231	5-7	11			
81F2232	3-11	7			
81F2235	2-13	5			
	2-16	5			
81F2236	3-21	7			
81F2237	7-10	15			
81F2238	7-7	15			
81F2239	3-3	7			
81F2240	3-13	7			
81F2241	3-14	7			
81F2242	3-10	7			
81F2246	1-19	3			
81F2247	3-8	7			
81F2249	9-3	19			
81F2250	3-17	7			
81F2251	3-4	7			
81F2254	3-2	7			
81F2255	7-5	15			
81F2256	7-15	15			
81F2257	6-13	13			
81F2258	6-11	13			
	6-15	13			
	7-18	15			
81F2259	7-13	15			
81F2260	3-26	7			
81F2261	3-26	7			
81F2262	10-17	23			
81F2263	3-22	7			
81F2264	3-16	7			
81F2266	9-20	19			
81F2267	9-22	19			
	9-29	19			
81F2268	1-1	3			
8310514	10-36	27			
89X2615	4-9	9			
89X2627	1-30	3			
89X2628	1-26	3			
89X2841	1-34	3			
	1-35	3			
89X2903	3-24	7			
89X2908	1-37	3			

Communicating Your Comments to IBM

3890/XP Document Processor
Optical Character Processor Parts Catalog
Maintenance Library
Publication No. GA34-2177-02

If you especially like or dislike anything about this book, please use one of the methods listed below to send your comments to IBM. Whichever method you choose, make sure you send your name, address, and telephone number if you would like a reply.

Feel free to comment on specific errors or omissions, accuracy, organization, subject matter, or completeness of this book. However, the comments you send should pertain to only the information in this manual and the way in which the information is presented. To request additional publications, or to ask questions or make comments about the functions of IBM products or systems, you should talk to your IBM representative or to your IBM authorized remarketer.

When you send comments to IBM, you grant IBM a nonexclusive right to use or distribute your comments in any way it believes appropriate without incurring any obligation to you.

If you are mailing a readers' comment form (RCF) from a country other than the United States, you can give the RCF to the local IBM branch office or IBM representative for postage-paid mailing.

- If you prefer to send comments by mail, use the RCF at the back of this book.
- If you prefer to send comments by FAX, use this number:
United States & Canada: 1-800-955-5259
- If you prefer to send comments electronically, use this network ID:
IBM Mail Exchange: USIB1362 at IBMMAIL

Make sure to include the following in your note:

- Title and publication number of this book
- Page number or topic to which your comment applies.

Readers' Comments — We'd Like to Hear from You

**3890/XP Document Processor
Optical Character Processor Parts Catalog
Maintenance Library
Publication No. GA34-2177-02**

Overall, how satisfied are you with the information in this book?

	Very Satisfied	Satisfied	Neutral	Dissatisfied	Very Dissatisfied
Overall satisfaction	<input type="checkbox"/>	<input type="checkbox"/>	<input type="checkbox"/>	<input type="checkbox"/>	<input type="checkbox"/>

How satisfied are you that the information in this book is:

	Very Satisfied	Satisfied	Neutral	Dissatisfied	Very Dissatisfied
Accurate	<input type="checkbox"/>	<input type="checkbox"/>	<input type="checkbox"/>	<input type="checkbox"/>	<input type="checkbox"/>
Complete	<input type="checkbox"/>	<input type="checkbox"/>	<input type="checkbox"/>	<input type="checkbox"/>	<input type="checkbox"/>
Easy to find	<input type="checkbox"/>	<input type="checkbox"/>	<input type="checkbox"/>	<input type="checkbox"/>	<input type="checkbox"/>
Easy to understand	<input type="checkbox"/>	<input type="checkbox"/>	<input type="checkbox"/>	<input type="checkbox"/>	<input type="checkbox"/>
Well organized	<input type="checkbox"/>	<input type="checkbox"/>	<input type="checkbox"/>	<input type="checkbox"/>	<input type="checkbox"/>
Applicable to your tasks	<input type="checkbox"/>	<input type="checkbox"/>	<input type="checkbox"/>	<input type="checkbox"/>	<input type="checkbox"/>

Please tell us how we can improve this book:

Thank you for your responses. May we contact you? Yes No

When you send comments to IBM, you grant IBM a nonexclusive right to use or distribute your comments in any way it believes appropriate without incurring any obligation to you.

Name

Address

Company or Organization

Phone No.



Cut or Fold
Along Line

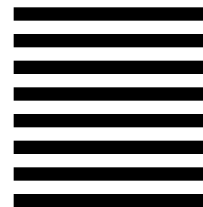
Fold and Tape

Please do not staple

Fold and Tape



NO POSTAGE
NECESSARY
IF MAILED IN THE
UNITED STATES



BUSINESS REPLY MAIL

FIRST-CLASS MAIL PERMIT NO. 40 ARMONK, NEW YORK

POSTAGE WILL BE PAID BY ADDRESSEE

International Business Machines Corporation
Payment Solutions
Department 58G MG34/204
8501 IBM Drive
Charlotte NC 28262-8563



Fold and Tape

Please do not staple

Fold and Tape

Cut or Fold
Along Line



Printed in the United States of America
on recycled paper containing 10%
recovered post-consumer fiber.

GA34-2177-02

